

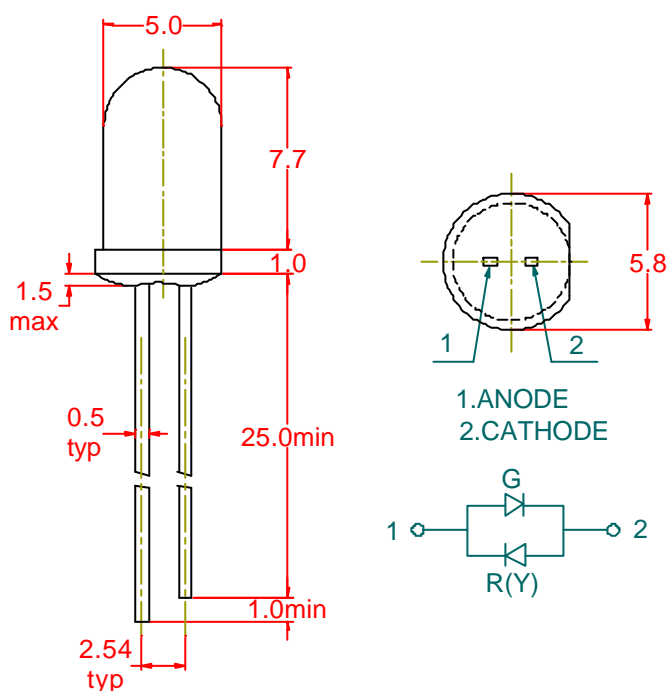
LED DATA SHEET

Part No.	LEG50362		
Emitted Color	Orange/Green	Len's Color	White Diffused

Features:

- 5mm Orange and Green Dual-color type
- General purpose leads
- Chip material : GaAsP/GaP

Package Dimensions:



Note:

- 1、 All dimensions are in millimetres (mm)
- 2、 Tolerance is $\pm 0.25\text{mm}$ unless otherwise noted

Part No.	LEG50362	Edition Data:2002-12-15	Page: 1 of 2
http://www.wenrun.com		Fax:0511-5512860	

Absolute Maximum Rating (Ta=25)

Parameter	Symbol	Max.	Unit
Power Dissipation	P _M	E(100)	Mw
		G(80)	
Pulse Forward Current (Duty 1/10 @ 1kHz)	I _{FP}	E(120)	mA
		G(100)	
Continuous Forward Current	I _F	E(40)	mA
		G(30)	
Reverse Voltage	V _R	6	V
Operating Temperature Range	Topr	-25 ~ 85	
Storage Temperature Range	Tstg	-40 ~ 100	
Solder Temperature : 2.0mm From Body For 3 Seconds at 260			

Electrical Optical Characteristics (Ta=25)

Parameter	Symbol	Min.	Typ.	Max.	Unit	Test Condition
Luminous Intensity	I _v	--	E(2.0)	--	mcd	I _F =10mA
			G(2.5)			
Forward Voltage	VF	--	E(2.2)	2.5	V	I _F =20mA
			G(2.2)			
Reverse Current	IR	--	--	50	uA	V _R =5V
Peak Emission Wavelength	P	--	E(635)	--	nm	I _F =20mA
			G(567)			
Viewing Angle	2 1/2	--	60	--	Deg.	I _F =20mA

Note:

- The luminous intensity data and P is survey values with the machine JF- 、 JS-2000.
- 2 1/2 is the clip angle at which the luminous intensity is half the axial luminous intensity.

Part No.	LEG50362	Edition Data:2002-12-15	Page: 2of 2
----------	--------------------------	-------------------------	-------------

http://www.wenrun.com Fax:0511-5512860