

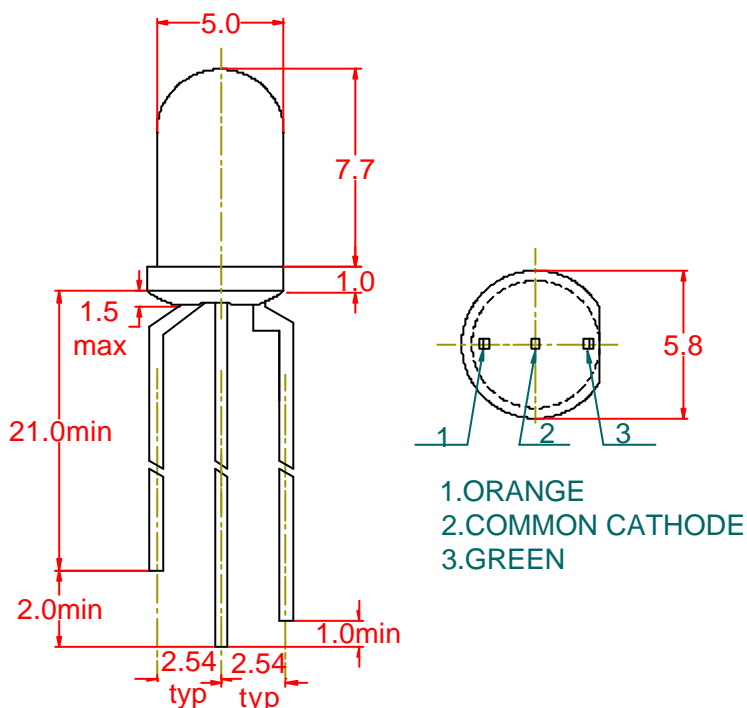
LED DATA SHEET

| | | | |
|---------------|--------------|-------------|----------------|
| Part No. | LEG50392 | | |
| Emitted Color | Orange/Green | Len's Color | White Diffused |

Features:

- 5mm Orange and Green Multi-color type
- General purpose leads
- Chip material : GaAsP/GaP

Package Dimensions:



Note:

- 1、 All dimensions are in millimetres (mm)
- 2、 Tolerance is $\pm 0.25\text{mm}$ unless otherwise noted

| | | | |
|---|----------|-------------------------|--------------|
| Part No. | LEG50392 | Edition Data:2002-12-15 | Page: 1 of 2 |
| http://www.wenrun.com | | Fax:0511-5512860 | |

Absolute Maximum Rating (Ta=25)

| Parameter | Symbol | Max. | Unit |
|---|-----------------|-----------|------|
| Power Dissipation | P _M | E(100) | Mw |
| | | G(80) | |
| Pulse Forward Current (Duty 1/10 @ 1kHz) | I _{FP} | E(120) | mA |
| | | G(100) | |
| Continuous Forward Current | I _F | E(40) | mA |
| | | G(30) | |
| Reverse Voltage | V _R | 6 | V |
| Operating Temperature Range | Topr | -25 ~ 85 | |
| Storage Temperature Range | Tstg | -40 ~ 100 | |
| Solder Temperature : 2.0mm From Body For 3 Seconds at 260 | | | |

Electrical Optical Characteristics (Ta=25)

| Parameter | Symbol | Min. | Typ. | Max. | Unit | Test Condition |
|--------------------------|----------------|------|--------|------|------|----------------------|
| Luminous Intensity | I _v | -- | E(4.0) | -- | mcd | I _F =10mA |
| | | | G(5.0) | | | |
| Forward Voltage | VF | -- | E(2.2) | 2.5 | V | I _F =20mA |
| | | | G(2.2) | | | |
| Reverse Current | IR | -- | -- | 50 | uA | V _R =5V |
| Peak Emission Wavelength | P | -- | E(635) | -- | nm | I _F =20mA |
| | | | G(567) | | | |
| Viewing Angle | 2 1/2 | -- | 40 | -- | Deg. | I _F =20mA |

Note:

- The luminous intensity data and P is survey values with the machine JF- 、 JS-2000.
- 2 1/2 is the clip angle at which the luminous intensity is half the axial luminous intensity.

| | | | |
|----------|--------------------------|-------------------------|-------------|
| Part No. | LEG50392 | Edition Data:2002-12-15 | Page: 2of 2 |
|----------|--------------------------|-------------------------|-------------|

http://www.wenrun.com Fax:0511-5512860