



# LET20015

## RF POWER TRANSISTORS

### Ldmos Enhanced Technology in Plastic Package

#### TARGET DATA

Designed for GSM / EDGE / IS-97 applications

- EXCELLENT THERMAL STABILITY
- COMMON SOURCE CONFIGURATION
- $P_{OUT} = 15\text{ W}$  with 11 dB gain @ 2000 MHz
- ESD PROTECTION
- IS-97 CDMA PERFORMANCES  
 $P_{OUT} = 2.5\text{ W}$   
EFF. = 20 %

#### DESCRIPTION

The LET20015 is a common source N-Channel, enhancement-mode lateral Field-Effect RF power transistor. It is designed for high gain, broad band commercial and industrial applications. It operates at 26 V in common source mode at frequencies up to 2 GHz. LET20015 boasts the excellent gain, linearity and reliability of ST's latest LDMOS technology mounted in the first true SMD plastic RF power package, PowerSO-10RF. LET20015's superior linearity performance makes it an ideal solution for base station applications.

The PowerSO-10 plastic package, designed to offer high reliability, is the first ST JEDEC approved, high power SMD package. It has been specially optimized for RF needs and offers excellent RF performances and ease of assembly.

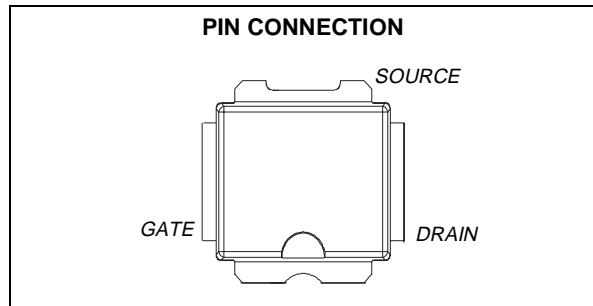
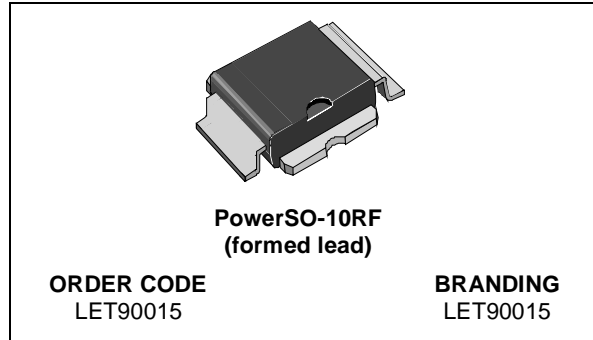
*Mounting recommendations are available in [www.st.com/rf/](http://www.st.com/rf/) (look for application note AN1294)*

#### ABSOLUTE MAXIMUM RATINGS ( $T_{CASE} = 25\text{ }^{\circ}\text{C}$ )

Symbol	Parameter	Value	Unit
$V_{(BR)DSS}$	Drain-Source Voltage	65	V
$V_{GS}$	Gate-Source Voltage	-0.5 to +15	V
$I_D$	Drain Current	2	A
$P_{DISS}$	Power Dissipation (@ $T_c = 70\text{ }^{\circ}\text{C}$ )	TBD	W
$T_j$	Max. Operating Junction Temperature	165	$^{\circ}\text{C}$
$T_{STG}$	Storage Temperature	-65 to +175	$^{\circ}\text{C}$

#### THERMAL DATA ( $T_{CASE} = 70\text{ }^{\circ}\text{C}$ )

$R_{th(j-c)}$	Junction -Case Thermal Resistance	TBD	$^{\circ}\text{C/W}$
---------------	-----------------------------------	-----	----------------------



**ELECTRICAL SPECIFICATION** ( $T_{CASE} = 25\text{ }^{\circ}\text{C}$ )

**STATIC**

Symbol	Test Conditions		Min.	Typ.	Max.	Unit
$V_{(BR)DSS}$	$V_{GS} = 0\text{ V}$	$I_{DS} = 1\text{ mA}$	65			V
$I_{DSS}$	$V_{GS} = 0\text{ V}$	$V_{DS} = 26\text{ V}$			1	$\mu\text{A}$
$I_{GSS}$	$V_{GS} = 5\text{ V}$	$V_{DS} = 0\text{ V}$			1	$\mu\text{A}$
$V_{GS(Q)}$	$V_{DS} = 26\text{ V}$	$I_D = \text{TBD}$	2.5		5.0	V
$V_{DS(ON)}$	$V_{GS} = 10\text{ V}$	$I_D = 1\text{ A}$		TBD		V
$G_{FS}$	$V_{DS} = 10\text{ V}$	$I_D = 1\text{ A}$		TBD		mho
$C_{ISS}$	$V_{GS} = 0\text{ V}$	$V_{DS} = 26\text{ V}$		TBD		pF
$C_{OSS}$	$V_{GS} = 0\text{ V}$	$V_{DS} = 26\text{ V}$		TBD		pF
$C_{RSS}$	$V_{GS} = 0\text{ V}$	$V_{DS} = 26\text{ V}$		TBD		pF

Symbol	Test Conditions		Min.	Typ.	Max.	Unit
<b>DYNAMIC</b> ( $f = 2000\text{ MHz}$ )						
$P_{1dB}$	$V_{DD} = 26\text{ V}$	$I_{DQ} = \text{TBD}$	15			W
$G_{PS}$	$V_{DD} = 26\text{ V}$	$I_{DQ} = \text{TBD}$	11	13		dB
$\eta_D$	$V_{DD} = 26\text{ V}$	$I_{DQ} = \text{TBD}$	45	50		%
$\text{IMD3}^{(1)}$	$V_{DD} = 26\text{ V}$	$I_{DQ} = \text{TBD}$		-32	-28	dBc
Load mismatch	$V_{DD} = 26\text{ V}$	$I_{DQ} = \text{TBD}$			10:1	VSWR
<b>DYNAMIC</b> ( $f = 1930 - 1990\text{ MHz}$ )						
$P_{OUT}^{(2)}$	$V_{DD} = 26\text{ V}$	$I_{DQ} = \text{TBD}$	10	15		W
$G_{PS}$	$V_{DD} = 26\text{ V}$	$I_{DQ} = \text{TBD}$	11	13		dB
$\eta_D^{(2)}$	$V_{DD} = 26\text{ V}$	$I_{DQ} = \text{TBD}$	40	45		%
$P_{OUT(CDMA)}^{(3)}$	885 KHz < -47 dBc 1.25 MHz < -55 dBc 2.25 MHz < -55 dBc			2.5		W
$\eta_{D(CDMA)}^{(3)}$	885 KHz < -47 dBc 1.25 MHz < -55 dBc 2.25 MHz < -55 dBc			20		%

(1)  $f_1 = 2000\text{ MHz}$ ,  $f_2 = 2000.1\text{ MHz}$

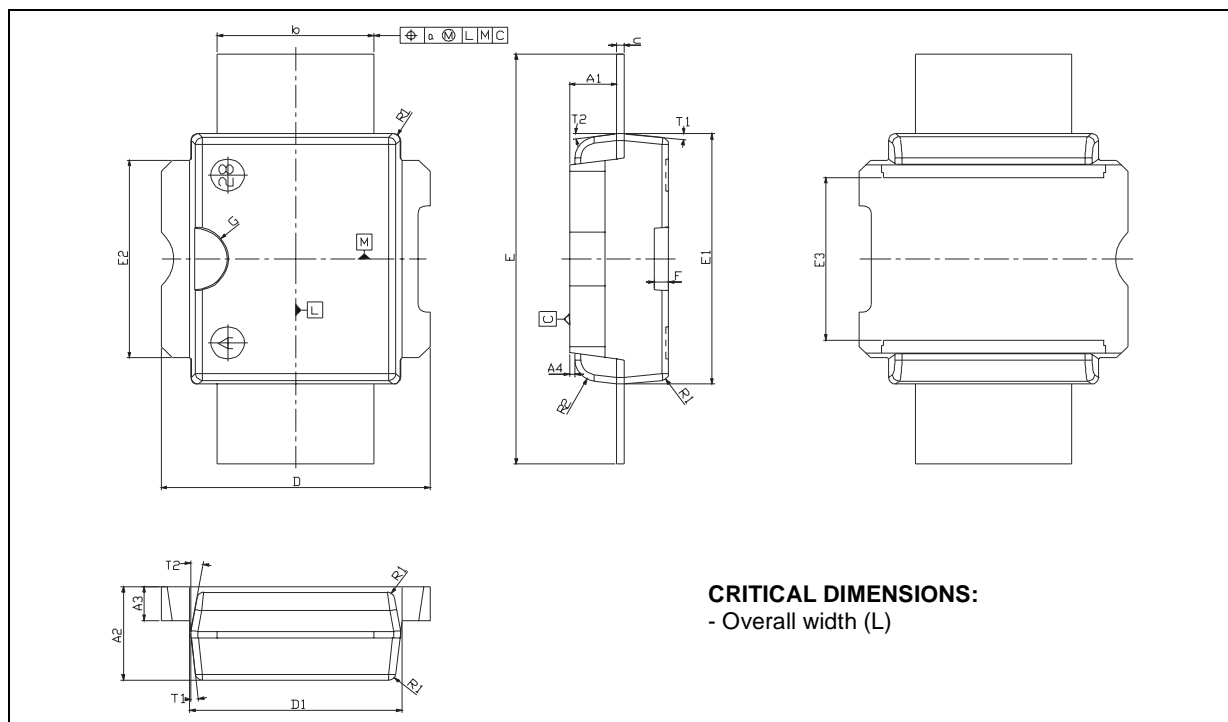
(2) 1 dB Compression point

(3) IS-97 CDMA Pilot, Sync, Paging, Traffic, Codes 8 Thru 13

## PowerSO-10RF Straight Lead MECHANICAL DATA

DIM.	mm			Inch		
	MIN.	TYP.	MAX	MIN.	TYP.	MAX
A1	1.62	1.67	1.72	0.064	0.065	0.068
A2	3.4	3.5	3.6	0.134	0.137	0.142
A3	1.2	1.3	1.4	0.046	0.05	0.054
A4	0.15	0.2	0.25	0.005	0.007	0.009
a		0.2			0.007	
b	5.4	5.53	5.65	0.212	0.217	0.221
c	0.23	0.27	0.32	0.008	0.01	0.012
D	9.4	9.5	9.6	0.370	0.374	0.377
D1	7.4	7.5	7.6	0.290	0.295	0.298
E	15.15	15.4	15.65	0.595	0.606	0.615
E1	9.3	9.4	9.5	0.365	0.37	0.375
E2	7.3	7.4	7.5	0.286	0.292	0.294
E3	5.9	6.1	6.3	0.231	0.24	0.247
F		0.5			0.019	
G		1.2			0.047	
R1			0.25			0.01
R2		0.8			0.031	
T1		6 deg			6 deg	
T2		10 deg			10 deg	

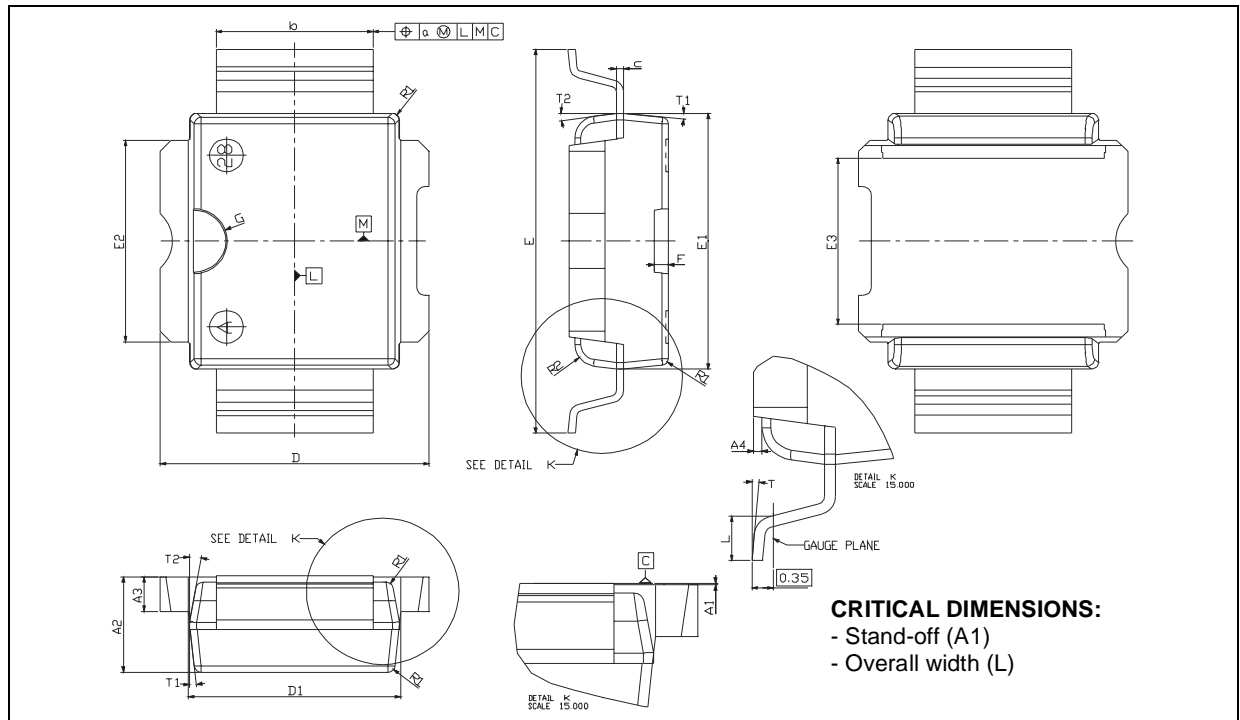
Note (1): Resin protrusions not included (max value: 0.15 mm per side)



**PowerSO-10RF Formed Lead (Gull Wing) MECHANICAL DATA**

DIM.	mm			Inch		
	MIN.	TYP.	MAX	MIN.	TYP.	MAX
A1	0	0.05	0.1	0.	0.0019	0.0038
A2	3.4	3.5	3.6	0.134	0.137	0.142
A3	1.2	1.3	1.4	0.046	0.05	0.054
A4	0.15	0.2	0.25	0.005	0.007	0.009
a		0.2			0.007	
b	5.4	5.53	5.65	0.212	0.217	0.221
c	0.23	0.27	0.32	0.008	0.01	0.012
D	9.4	9.5	9.6	0.370	0.374	0.377
D1	7.4	7.5	7.6	0.290	0.295	0.298
E	13.85	14.1	14.35	0.544	0.555	0.565
E1	9.3	9.4	9.5	0.365	0.37	0.375
E2	7.3	7.4	7.5	0.286	0.292	0.294
E3	5.9	6.1	6.3	0.231	0.24	0.247
F		0.5			0.019	
G		1.2			0.047	
L	0.8	1	1.1	0.030	0.039	0.042
R1			0.25			0.01
R2		0.8			0.031	
T	2 deg	5 deg	8 deg	2 deg	5 deg	8 deg
T1		6 deg			6 deg	
T2		10 deg			10 deg	

Note (1): Resin protrusions not included (max value: 0.15 mm per side)



Information furnished is believed to be accurate and reliable. However, STMicroelectronics assumes no responsibility for the consequences of use of such information nor for any infringement of patents or other rights of third parties which may result from its use. No license is granted by implication or otherwise under any patent or patent rights of STMicroelectronics. Specifications mentioned in this publication are subject to change without notice. This publication supersedes and replaces all information previously supplied. STMicroelectronics products are not authorized for use as critical components in life support devices or systems without express written approval of STMicroelectronics.

The ST logo is registered trademark of STMicroelectronics  
© 2003 STMicroelectronics - All Rights Reserved

All other names are the property of their respective owners.

STMicroelectronics GROUP OF COMPANIES  
Australia - Brazil - Canada - China - Finland - France - Germany - Hong Kong - India - Israel - Italy - Japan -  
Malaysia - Malta - Morocco - Singapore - Spain - Sweden - Switzerland - United Kingdom - U.S.A.

<http://www.st.com>

