

10/100BASE-TX

Magnetics Modules

Electrical Specifications @25

HIPOT: 1500Vrms (Input to Output)

Turns Ratio (1-3-2):(16-14-15) = 1CT:1CT \pm 3%

Turns Ratio (7-6-8):(10-11-9) = 1CT:1CT \pm 3%

OCL: 350uH Minimum @100KHz 100mV 8mADC

DCR: PIN1-2,PIN9-10 0.9 ohms Maximum

PIN7-8,PIN16-15 0.4 ohms Maximum

Insertion Loss: -1.0dB Maximum @1MHz~100MHz

Return Loss: -18dB Minimum @30MHz

-12dB Minimum @60MHz

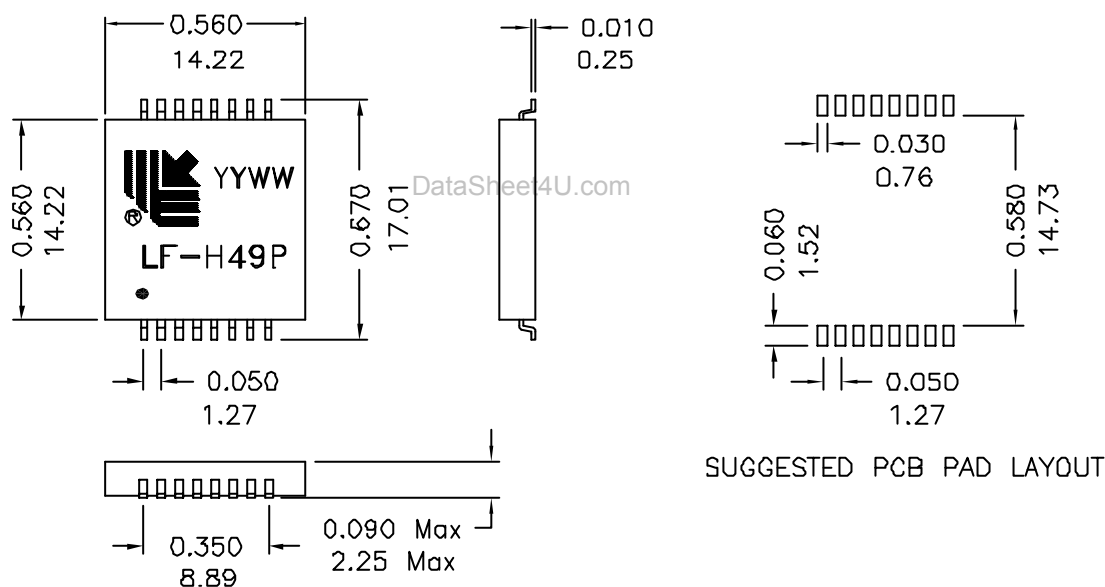
-11dB Minimum @80MHz

Differential to Common Mode Rejection: -30dB Min @30MHz~100MHz

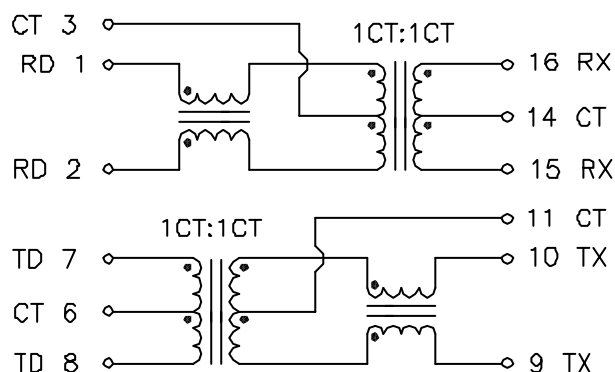
-20dB Min @150MHz

Crosstalk: -40dB Min @30MHz / -40dB Min @62MHz / -35dB Min @100MHz

Mechanicals:



Schematics:



*Specification Subject to Shange Without Notice.

P/N: LF-H49P	DIMENSIONS IN	Unless otherwise specified Dim. Tolerances are: .xxx \pm 0.010 inch	REV: A1	DRWN:	DATE: 03-09-22
	SCALE: NONE		PAGE:1/1	APPD:	DATE: