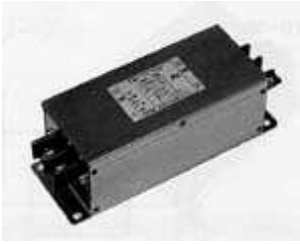


**LF2000A-NH Series**

Single Phase 250VAC

Inquir

5 up to 100A/High attenuation



UL1283 (file No.E102708)

**Application**

UPS/CVCF/Communication equipment

**Specifications**

Part No.	Rated Current	Weight	Dimensions [mm]														N	P	
			A	B	C	D	E	F	G	H	J	K	L	M					
LF2005A-NH	5A	0.5Kg																	fig1
LF2010A-NH	10A	1Kg																	fig2
LF2015A-NH	15A	1Kg																	
LF2020A-NH	20A	1.5Kg	172	160	148	144	130	16	58	70	60	21	23	M4	dia.4.5	R2.25 L6			
LF2030A-NH	30A	1.5Kg	172	160	148	144	130	16	58	70	60	21	23	M4	dia.4.5				
LF2040A-NH	40A	2.5Kg	248	240	222	220	200	22	70	90	80	34	32	M5	dia.6.5	R2.25 L8	fig3		
LF2050A-NH	50A	3Kg	248	240	222	220	200	22	70	90	80	34	32	M6	dia.6.5				
LF2060A-NH	60A	4Kg	332	315	300	300	285	22	115	130	90	44	32	M6	dia.6.5				
LF2080A-NH	80A	7.5Kg	327	298	270	200	180	28.5	200	220	180	40	38	M8	dia.6.5		fig4		
LF2100A-NH	100A	11Kg	377	348	320	220	200	28.5	200	240	190	40	38	M8	dia.6.5				
Rated Voltage	250VAC																		
Leakage Current	1.5mA																		

fig1 (5A)

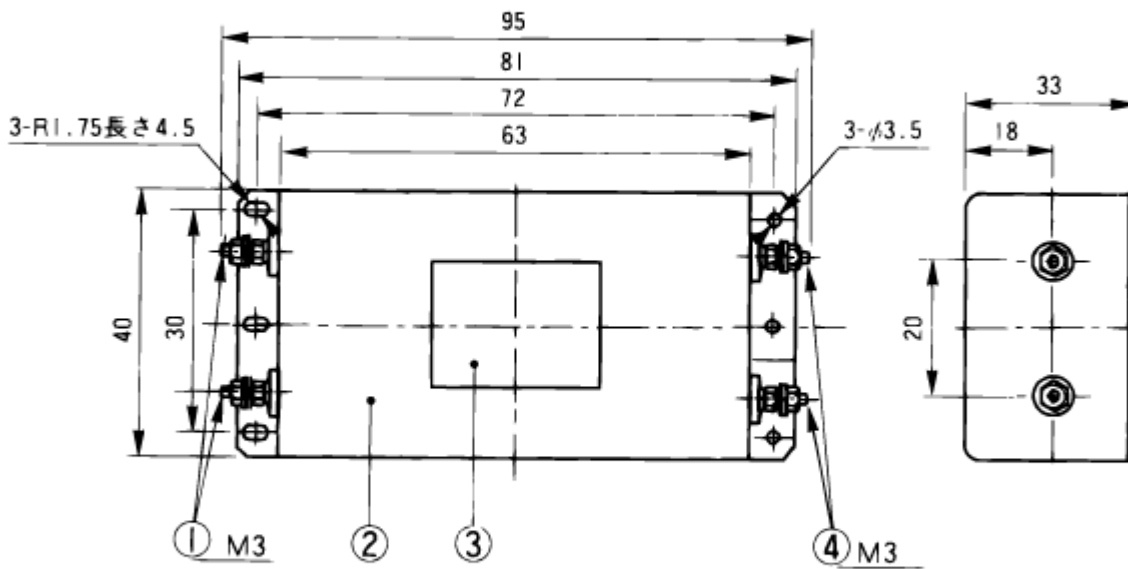


fig2 (10,15A)

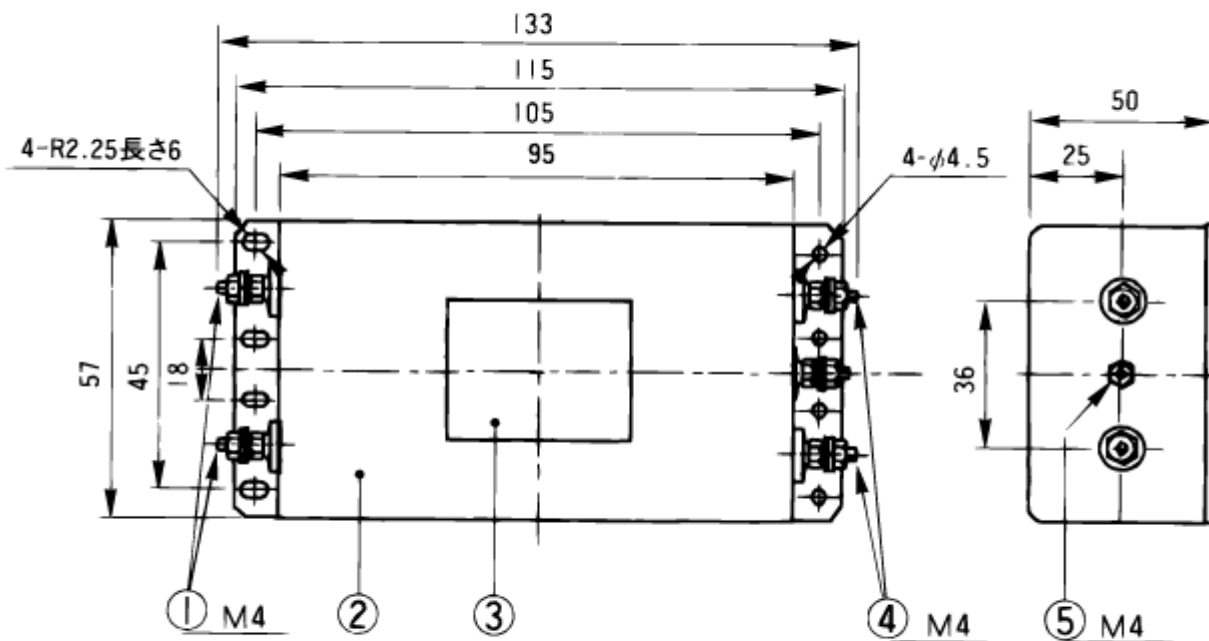


fig3 (20-60A)

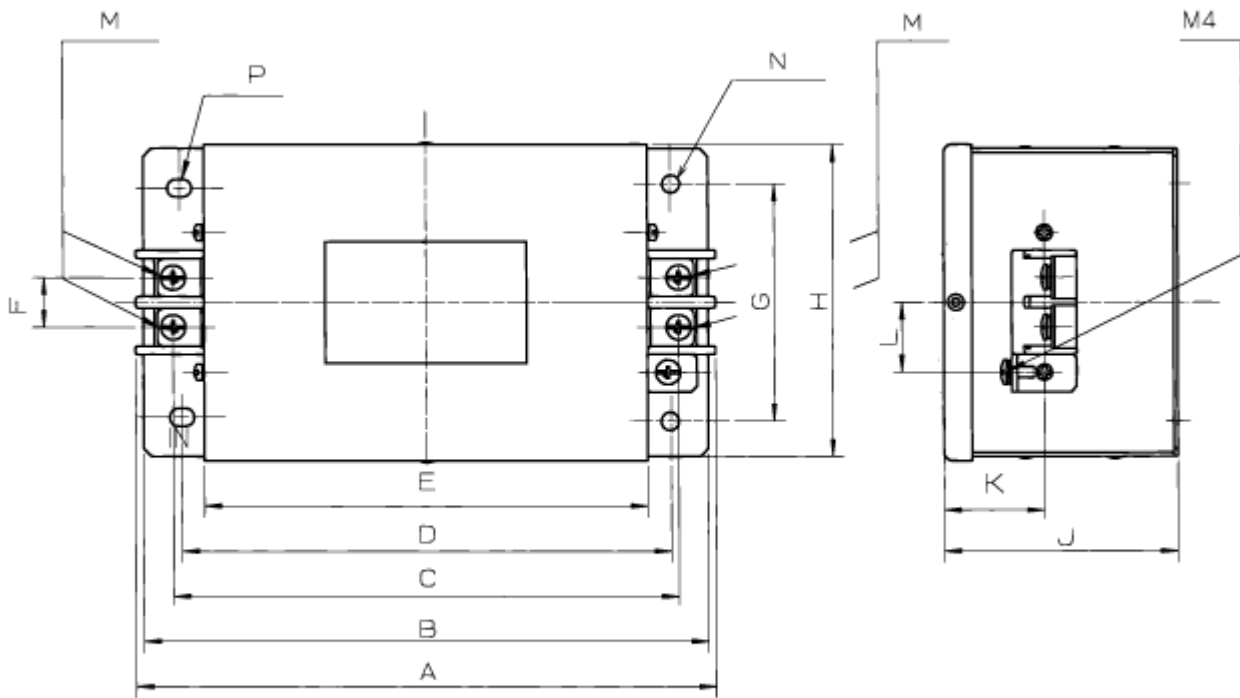
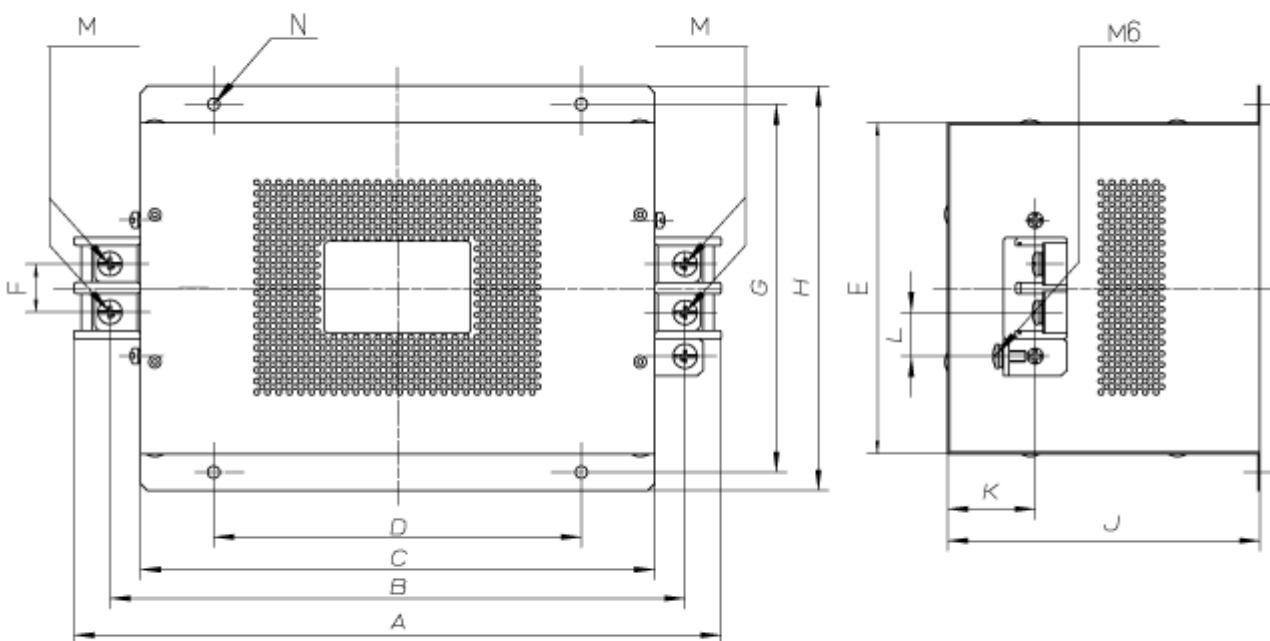
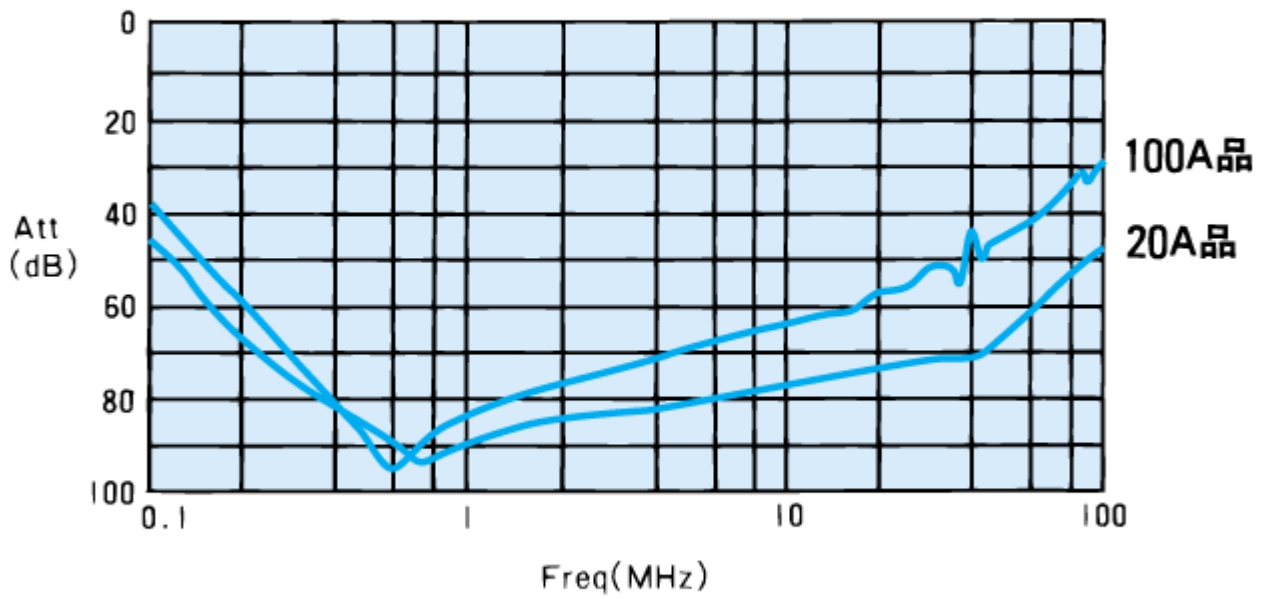


fig4 (80,100A)



Frequency Data



Circuit Diagram

