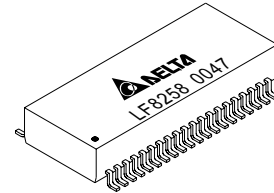




FAST ETHERNET 10BASE-T/100BASE-TX TRANSFORMER MODULES

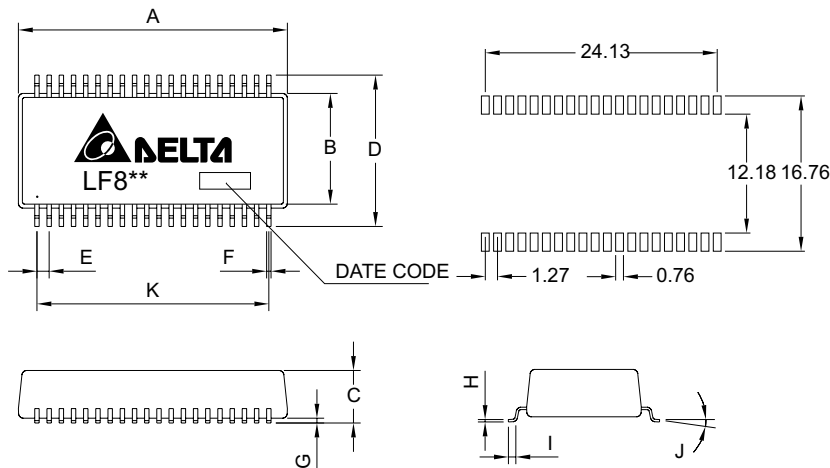
Networking Components



ELECTRICAL CHARACTERISTICS @25°C

Rise Time & Fall Time @5.0ns (Max), Hi-Pot Test @60Sec, 1500Vrms, OCL @8mA DC Bias 350uH (Min)														
Model	Insertion Loss (dB Max)	Return Loss (dB Min)				Cross Talk (dB Min)				Com. To Com. Rejection Ratio (dB Min)		Diff. To Com. Mode Rejection (dB Min)		Turns Ratio TX/RX (±5%)
		1~100	2~30	40	50	60~80	1	30	60	100	1~60	60~100	1~60	
	MHz	MHz				MHz				MHz		MHz		1
LF8258	-1.0	-18	-17	-14.5	-12	-65	-55	-45	-35	-40	-30	-40	-30	1:1 / 1:1
LF8264A	-1.0	-18	-17	-14.5	-12	-65	-55	-45	-35	-40	-30	-40	-30	1:1 / 1:1
LF8702	-1.0	-18	-16	-12.0	-10	-65	-55	-45	-35	-40	-30	-40	-30	2:1 / 1:1
LF8703	-1.0	-18	-16	-12.0	-10	-65	-55	-45	-35	-40	-30	-40	-30	1:1.414 / 1:1
LF8707	-1.0	-18	-17	-14.5	-12	-65	-55	-45	-35	-40	-30	-40	-30	1:1 / 1:1
LF8708	-1.0	-18	-17	-14.5	-12	-65	-55	-45	-35	-40	-30	-40	-30	1:1 / 1:1
LF8715	-1.0	-18	-16	-12.0	-10	-65	-55	-45	-35	-40	-30	-40	-30	1.414:1 / 1:1
LF8725B	-1.0	-18	-16	-12.0	-10	-65	-55	-45	-35	-40	-30	-40	-30	1.25:1 / 1:1
LF8726	-1.0	-18	-16	-12.0	-10	-65	-55	-45	-35	-40	-30	-40	-30	2:1 / 1:1
LF8731	-1.0	-18	-17	-14.5	-12	-65	-55	-45	-35	-40	-30	-40	-30	1:1 / 1:1
LF8737	-1.0	-18	-17	-14.5	-12	-65	-55	-45	-35	-40	-30	-40	-30	1:1 / 1:1
LF8741	-1.0	-18	-17	-14.5	-12	-65	-55	-45	-35	-40	-30	-40	-30	1:1 / 1:1

MECHANICAL CONSTRUCTION



UNIT : mm / inch

- A = 28.00 ± 0.254 / 1.102 ± 0.010
- B = 12.00 ± 0.254 / 0.472 ± 0.010
- C = 5.80 ± 0.254 / 0.228 ± 0.010
- D = 16.00 ± 0.254 / 0.630 ± 0.010
- E = 1.27 / 0.050 (TYP)
- F = 0.46 ± 0.127 / 0.018 ± 0.005
- G = 0.254 ± 0.127 / 0.010 ± 0.005
- H = 0.254 / 0.010 (TYP)
- I = 1.00 ± 0.254 / 0.039 ± 0.010
- J = 0° ~ 8°
- K = 24.13 / 0.950 (TYP)

DELTA ELECTRONICS, INC.

(TAOYUAN PLANT CPBG) 31-1, SHIEN PAN ROAD, KUEI SAN INDUSTRIAL ZONE, TAOYUAN SHIEN, TAIWAN, R.O.C.

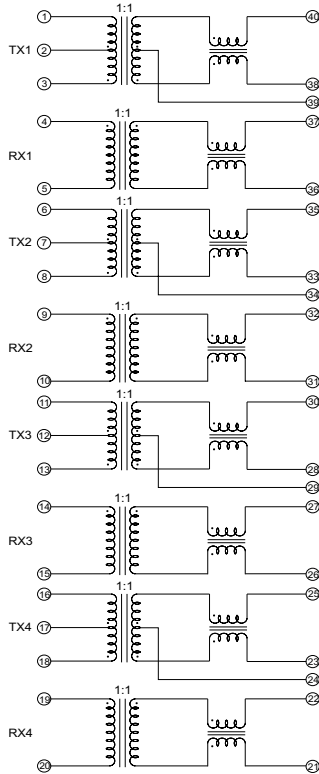
TEL: 886-3-3626301; FAX: 886-3-3618901

www.deltaww.com/products/networking/

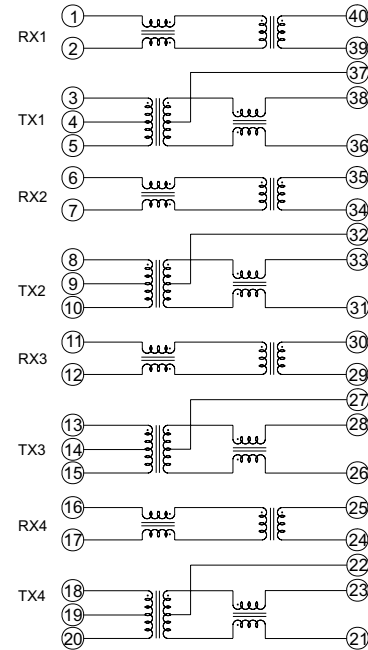
Networking Components

SCHEMATICS

LF8258



LF8264, LF8702, LF8703, LF8715



PIN ASSIGNMENT

Port 1

Pin Name	Pin#	Pin#	Pin Name
TD+1	338	TX+1
TCT 1	239	CMT 1
TD-1	140	TX-1
RD+1	437	RX+1
RX-1	536	RX-1

Port 3

Pin Name	Pin#	Pin#	Pin Name
TD+3	1328	TX+3
TCT 3	1229	CMT 3
TD-3	1130	TX-3
RD+3	1427	RX+3
RD-3	1526	RX-3

Port 2

Pin Name	Pin#	Pin#	Pin Name
TD+2	833	TX+2
TCT 2	734	CMT 2
TD-2	635	TX-2
RD+2	932	RX+2
RX-2	1031	RX-2

Port 4

Pin Name	Pin#	Pin#	Pin Name
TD+4	1823	TX+4
TCT 4	1724	CMT 4
TD-4	1625	TX-4
RD+4	1922	RX+4
RD-4	2021	RX-4

PIN ASSIGNMENT

Port 1

Pin Name	Pin#	Pin#	Pin Name
TD+1	338	TX+1
TCT 1	437	CMT 1
TD-1	536	TX-1
RD+1	140	RX+1
RX-1	239	RX-1

Port 3

Pin Name	Pin#	Pin#	Pin Name
TD+3	1328	TX+3
TCT 3	1427	CMT 3
TD-3	1526	TX-3
RD+3	1130	RX+3
RD-3	1229	RX-3

Port 2

Pin Name	Pin#	Pin#	Pin Name
TD+2	833	TX+2
TCT 2	932	CMT 2
TD-2	1031	TX-2
RD+2	635	RX+2
RX-2	734	RX-2

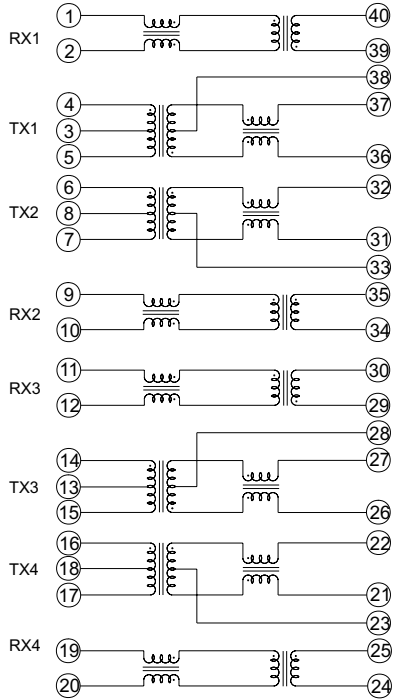
Port 4

Pin Name	Pin#	Pin#	Pin Name
TD+4	1823	TX+4
TCT 4	1922	CMT 4
TD-4	2021	TX-4
RD+4	1625	RX+4
RD-4	1724	RX-4

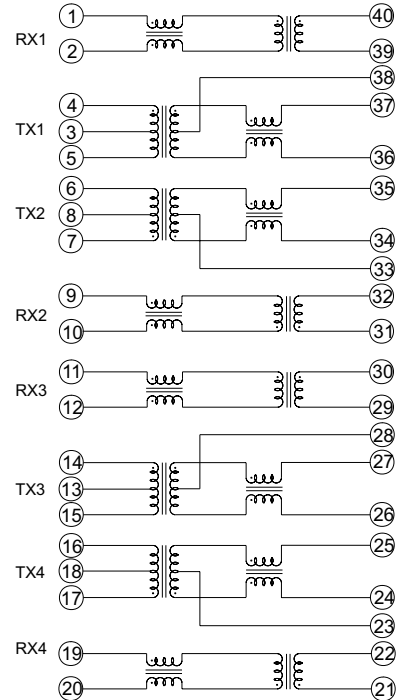
Networking Components

SCHEMATICS

LF8707



LF8708



PIN ASSIGNMENT

Port 1

Pin Name	Pin#	Pin#	Pin Name
TD+1	436	TX+1
TCT 1	338	CMT 1
TD-1	537	TX-1
RD+1	139	RX+1
RD-1	240	RX-1

Port 3

Pin Name	Pin#	Pin#	Pin Name
TD+3	1426	TX+3
TCT 3	1328	CMT 3
TD-3	1527	TX-3
RD+3	1129	RX+3
RD-3	1230	RX-3

Port 2

Pin Name	Pin#	Pin#	Pin Name
TD+2	632	TX+2
TCT 2	833	CMT 2
TD-2	731	TX-2
RD+2	935	RX+2
RX-2	1034	RX-2

Port 4

Pin Name	Pin#	Pin#	Pin Name
TD+4	1622	TX+4
TCT 4	1823	CMT 4
TD-4	1721	TX-4
RD+4	1925	RX+4
RD-4	2024	RX-4

PIN ASSIGNMENT

Port 1

Pin Name	Pin#	Pin#	Pin Name
TD+1	437	TX+1
TCT 1	338	CMT 1
TD-1	536	TX-1
RD+1	140	RX+1
RD-1	239	RX-1

Port 3

Pin Name	Pin#	Pin#	Pin Name
TD+3	1427	TX+3
TCT 3	1328	CMT 3
TD-3	1526	TX-3
RD+3	1130	RX+3
RD-3	1229	RX-3

Port 2

Pin Name	Pin#	Pin#	Pin Name
TD+2	734	TX+2
TCT 2	833	CMT 2
TD-2	635	TX-2
RD+2	1031	RX+2
RX-2	932	RX-2

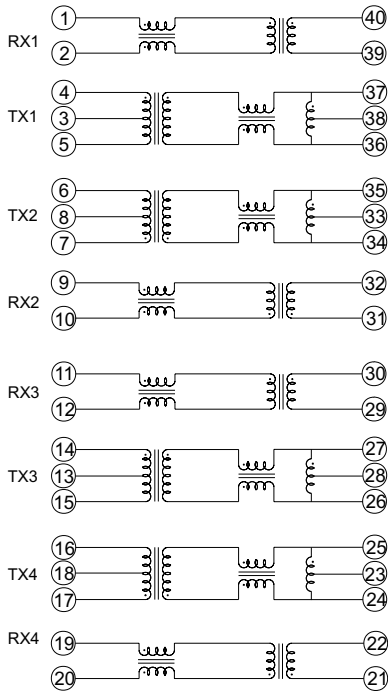
Port 4

Pin Name	Pin#	Pin#	Pin Name
TD+4	1724	TX+4
TCT 4	1823	CMT 4
TD-4	1625	TX-4
RD+4	2021	RX+4
RD-4	1922	RX-4

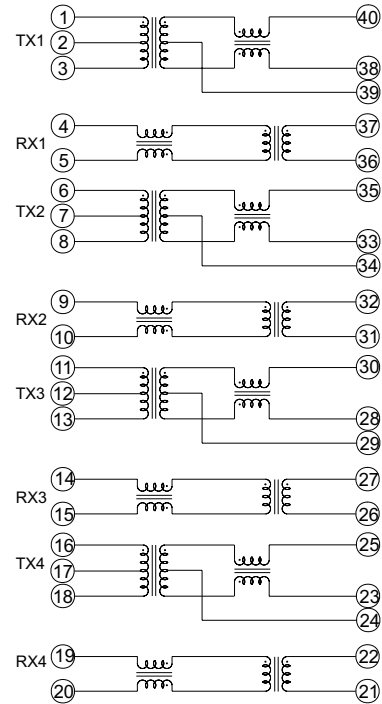
Networking Components

SCHEMATICS

LF8725B



LF8726, LF8737



PIN ASSIGNMENT

Port 1

Pin Name	Pin#	Pin#	Pin Name
TD+1	437	TX+1
TCT 1	338	CMT 1
TD-1	536	TX-1
RD+1	140	RX+1
RD-1	239	RX-1

Port 3

Pin Name	Pin#	Pin#	Pin Name
TD+3	1427	TX+3
TCT 3	1328	CMT 3
TD-3	1526	TX-3
RD+3	1130	RX+3
RD-3	1229	RX-3

Port 2

Pin Name	Pin#	Pin#	Pin Name
TD+2	734	TX+2
TCT 2	833	CMT 2
TD-2	635	TX-2
RD+2	1031	RX+2
RX-2	932	RX-2

Port 4

Pin Name	Pin#	Pin#	Pin Name
TD+4	1724	TX+4
TCT 4	1823	CMT 4
TD-4	1625	TX-4
RD+4	2021	RX+4
RD-4	1922	RX-4

PIN ASSIGNMENT

Port 1

Pin Name	Pin#	Pin#	Pin Name
TD+1	140	TX+1
TCT 1	239	CMT 1
TD-1	338	TX-1
RD+1	437	RX+1
RD-1	536	RX-1

Port 3

Pin Name	Pin#	Pin#	Pin Name
TD+3	1130	TX+3
TCT 3	1229	CMT 3
TD-3	1328	TX-3
RD+3	1427	RX+3
RD-3	1526	RX-3

Port 2

Pin Name	Pin#	Pin#	Pin Name
TD+2	635	TX+2
TCT 2	734	CMT 2
TD-2	833	TX-2
RD+2	932	RX+2
RX-2	1031	RX-2

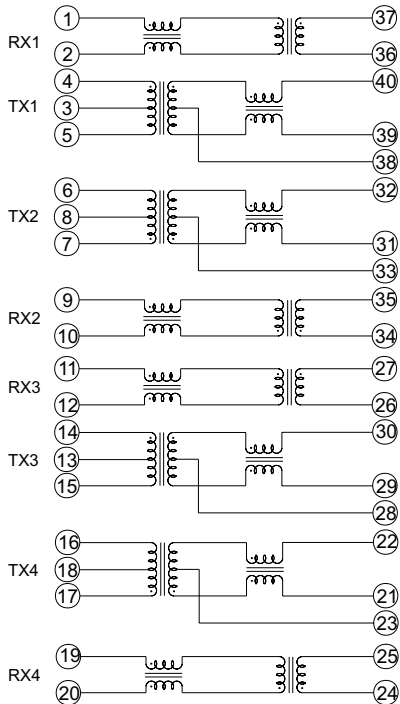
Port 4

Pin Name	Pin#	Pin#	Pin Name
TD+4	1625	TX+4
TCT 4	1724	CMT 4
TD-4	1823	TX-4
RD+4	1922	RX+4
RD-4	2021	RX-4

Networking Components

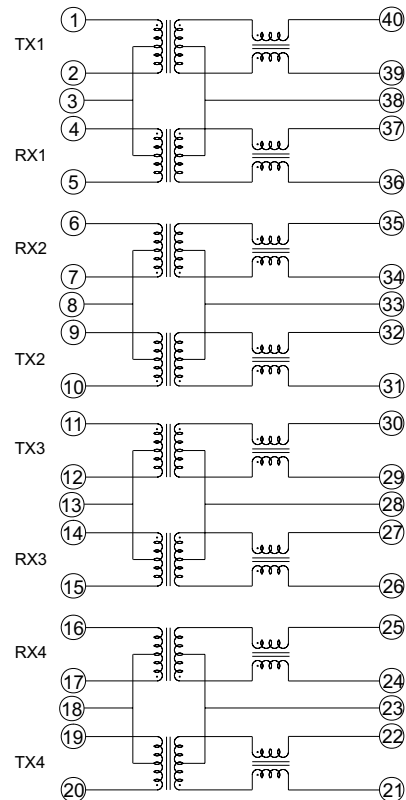
SCHEMATICS

LF8741



FOR AUTO MDI/MDIX APPLICATIONS

LF8731



PIN ASSIGNMENT

Port 1				Port 3			
Pin Name	Pin#	Pin#	Pin Name	Pin Name	Pin#	Pin#	Pin Name
TD+1	440	TX+1	TD+3	1430	TX+3
TCT 1	338	CMT 1	TCT 3	1328	CMT 3
TD-1	539	TX-1	TD-3	1529	TX-3
RD+1	137	RX+1	RD+3	1127	RX+3
RD-1	236	RX-1	RD-3	1226	RX-3

Port 2				Port 4			
Pin Name	Pin#	Pin#	Pin Name	Pin Name	Pin#	Pin#	Pin Name
TD+2	731	TX+2	TD+4	1721	TX+4
TCT 2	833	CMT 2	TCT 4	1823	CMT 4
TD-2	632	TX-2	TD-4	1622	TX-4
RD+2	1034	RX+2	RD+4	2024	RX+4
RX-2	935	RX-2	RD-4	1925	RX-4

PIN ASSIGNMENT

Port 1				Port 3			
Pin Name	Pin#	Pin#	Pin Name	Pin Name	Pin#	Pin#	Pin Name
TD+1	140	TX+1	TD+3	1130	TX+3
TCT 1	338	CMT 1	TCT 3	1328	CMT 3
TD-1	239	TX-1	TD-3	1229	TX-3
RD+1	437	RX+1	RD+3	1427	RX+3
RD-1	536	RX-1	RD-3	1526	RX-3

Port 2				Port 4			
Pin Name	Pin#	Pin#	Pin Name	Pin Name	Pin#	Pin#	Pin Name
TD+2	1031	TX+2	TD+4	2021	TX+4
TCT 2	833	CMT 2	TCT 4	1823	CMT 4
TD-2	932	TX-2	TD-4	1922	TX-4
RD+2	734	RX+2	RD+4	1724	RX+4
RX-2	635	RX-2	RD-4	1625	RX-4

DELTA ELECTRONICS, INC.

(TAOYUAN PLANT CPBG) 31-1, SHIEN PAN ROAD, KUEI SAN INDUSTRIAL ZONE, TAOYUAN SHIEN, TAIWAN, R.O.C.

TEL: 886-3-3626301; FAX: 886-3-3618901
www.deltaww.com/products/networking/