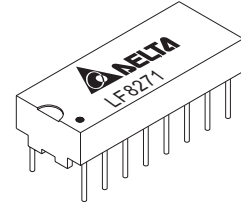




FAST ETHERNET 10BASE-T/100BASE-TX TRANSFORMER MODULES

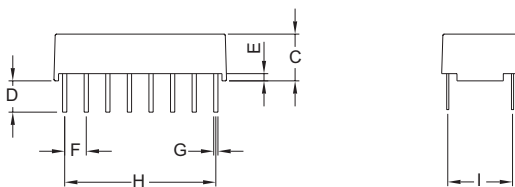
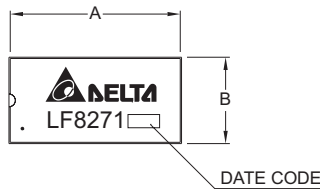
Networking Components



ELECTRICAL CHARACTERISTICS @25°C

Rise Time & Fall Time @5.0ns (Max), Hi-Pot Test @60Sec, 1500Vrms, OCL @8mA DC Bias 350uH (Min)														
Model	Insertion Loss (dB Max)	Return Loss (dB Min)				Cross Talk (dB Min)				Com. To Com. Rejection Ratio (dB Min)		Diff. To Com. Mode Rejection (dB Min)		Turns Ratio TX/RX (±5%)
		1~100	2~30	40	50	60~80	1	30	60	100	1~60	60~100	1~60	
	MHz	MHz				MHz				MHz		MHz		1
LF8271	-1.0	-18	-17	-14.5	-12	-65	-55	-45	-35	-40	-30	-40	-30	1:1 / 1:1
LF8279	-1.0	-18	-17	-14.5	-12	-65	-55	-45	-35	-40	-30	-40	-30	1:1 / 1:1

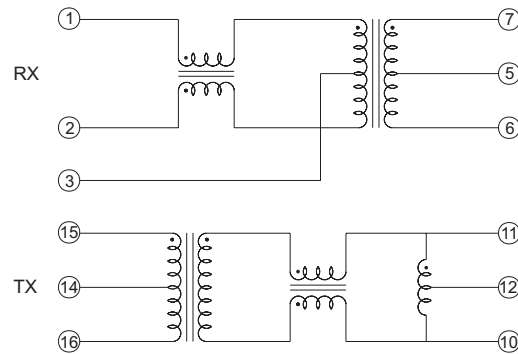
MECHANICAL CONSTRUCTION



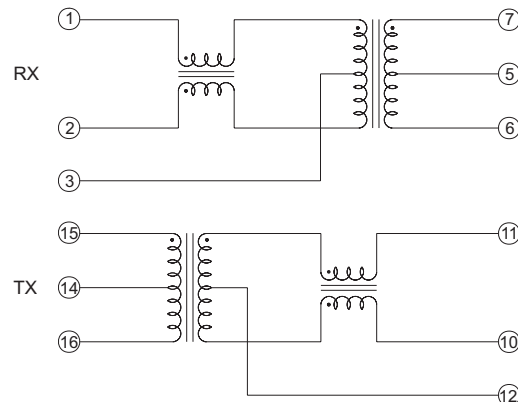
UNIT : mm / inch
 A = 20.30 ± 0.254 / 0.799 ± 0.010
 B = 10.00 ± 0.254 / 0.394 ± 0.010
 C = 5.50 ± 0.254 / 0.217 ± 0.010
 D = 3.20 ± 0.30 / 0.126 ± 0.012
 E = 1.50 / 0.059 (REF)
 F = 2.54 / 0.100 (TYP)
 G = 0.50 ± 0.127 / 0.020 ± 0.005
 H = 17.78 / 0.700 (TYP)
 I = 7.62 / 0.300 (TYP)

SCHEMATICS

LF8271



LF8279



DELTA ELECTRONICS, INC.

(TAOYUAN PLANT CPBG) 252, SAN YING ROAD, KUEI SAN INDUSTRIAL ZONE, TAOYUAN SHIEN, TAIWAN, R.O.C.
 TEL: 886-3-3591968; FAX: 886-3-3591991
 Http://www.deltaww.com/products/networking