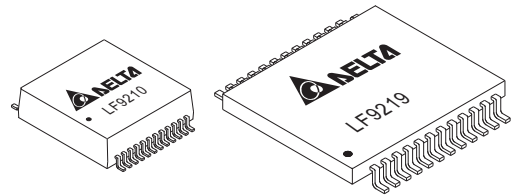




Networking Components

1000Base-Tx Transformer

LAN
FILTER

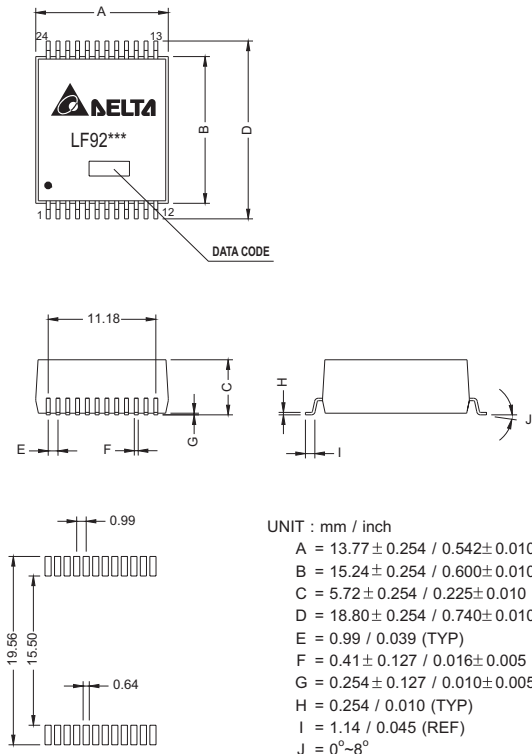


ELECTRICAL CHARACTERISTICS @25°C

Rise Time & Fall Time @5.0ns (Max), Hi-Pot Test @1500Vrms, 60Sec. OCL @8mA DC Bias 350uH (Min)														
Model	Insertion Loss (dB Max)		Return Loss (dB Min)				Cross Talk (dB Min)			Com. To Com. Rejection Ratio (dB Min)	Diff. To Com. Mode Rejection (dB Min)		Turns Ratio TX/RX (± 5%)	
	1-100	100-125	1-30	40	50	80	100	1-60	60-100	60-125	1-100	1-60	60-100	1
	MHz		MHz				MHz			MHz	MHz		MHz	
LF9210	-1.0	-1.2	-18	-15.5	-13.5	-12	-10	-40	-38	-33	-30	-40	-30	1:1 / 1:1
LF9214	-1.0	-1.2	-18	-15.5	-13.5	-12	-10	-40	-38	-33	-30	-40	-30	1:1 / 1:1
LF9219	-1.0	-1.2	-18	-15.5	-13.5	-12	-10	-40	-38	-33	-30	-40	-30	1:1 / 1:1

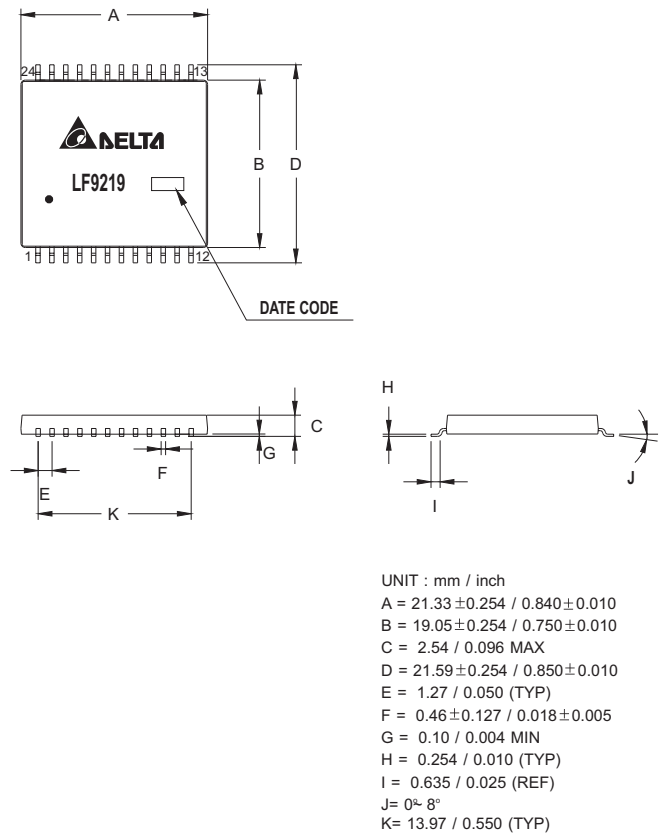
MECHANICAL CONSTRUCTION

LF9210/LF9214



SCHEMATICS

LF9219



DELTA ELECTRONICS, INC.

(TAOYUAN PLANT CPBG) 252, SAN YING ROAD, KUEI SAN INDUSTRIAL ZONE, TAOYUAN SHIEN, TAIWAN, R.O.C.
 TEL: 886-3-3591968; FAX: 886-3-3591991
 Http://www.deltawww.com/products/networking



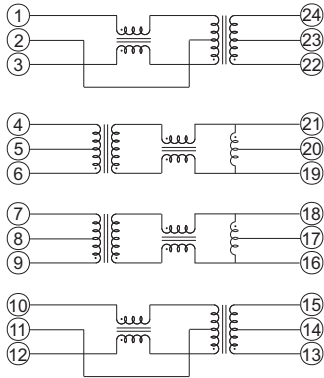
Networking Components

1000Base-Tx Transformer

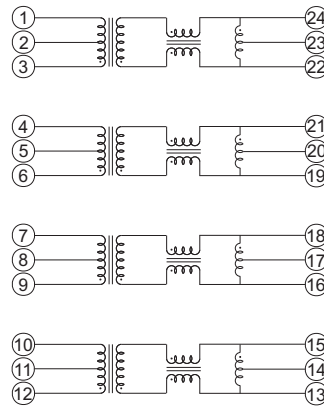
LAN
FILTER

SCHEMATICS

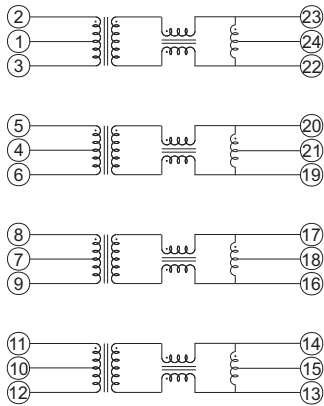
LF9210



LF9214



LF9219



DELTA ELECTRONICS, INC.

(TAOYUAN PLANT CPBG) 252, SAN YING ROAD, KUEI SAN INDUSTRIAL ZONE, TAOYUAN SHIEN, TAIWAN, R.O.C.
TEL: 886-3-3591968; FAX: 886-3-3591991
[Http://www.deltaww.com/products/networking](http://www.deltaww.com/products/networking)