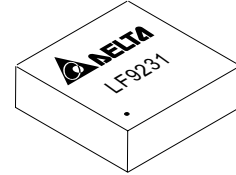




10/100/1000BASE-T TRANSFORMER MODULES

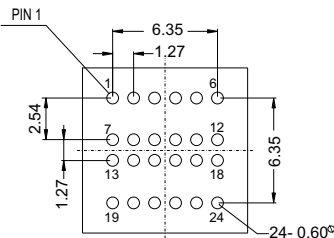
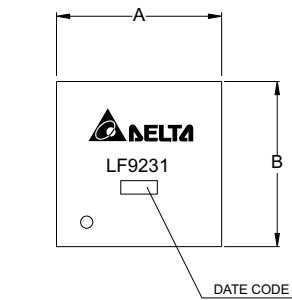
Networking Components



ELECTRICAL CHARACTERISTICS @25°C

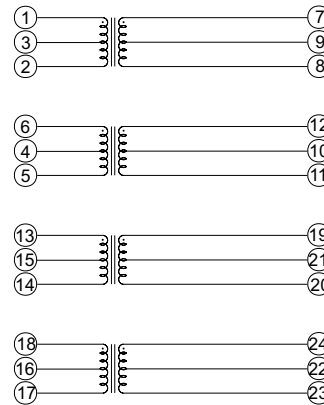
Rise Time & Fall Time @5.0ns (Max), Hi-Pot Test @60Sec, 1500Vrms, OCL @8mA DC Bias 350uH (Min)										
Model	Insertion Loss (dB Max)	Return Loss (dB Min)					Cross Talk (dB Min)			Turns Ratio TX/RX (± 5%)
		1-100	1-30	40	50	60-80	100	30	60	
	MHz	MHz		MHz	MHz			KHz		
LF9231	-1.0	-30	-21.5	-20	-16	-14	-45	-40	-35	1:1 / 1:1

MECHANICAL CONSTRUCTION

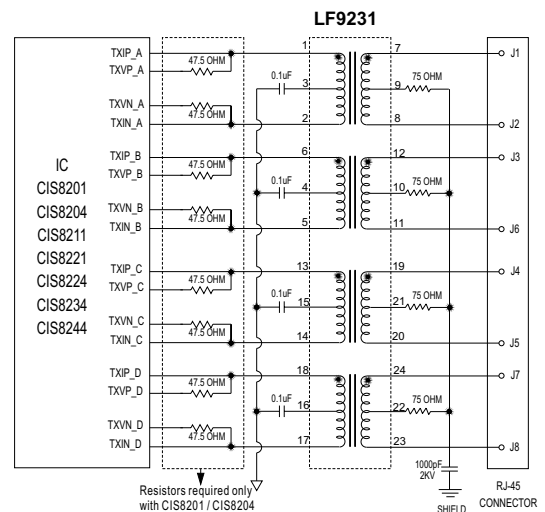


UNIT : mm / inch
 A = 10.00 / 0.394 TYP
 B = 10.00 / 0.394 TYP
 C = 4.10 ± 0.100 / 0.161 ± 0.004
 D = 3.90 ± 0.100 / 0.154 ± 0.004
 E = 0.20 / 0.008 TYP

SCHEMATICS



APPLICATION CIRCUITS



DELTA ELECTRONICS, INC.

(TAOYUAN PLANT CPBG) 252, SAN YING ROAD, KUEI SAN INDUSTRIAL ZONE, TAOYUAN SHIEN, TAIWAN, R.O.C.
 TEL: 886-3-3591968; FAX: 886-3-3591991
 Http://www.deltaww.com/products/networking