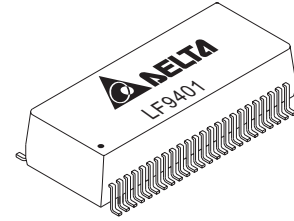




100/1000BASE-T TRANSFORMER MODULES

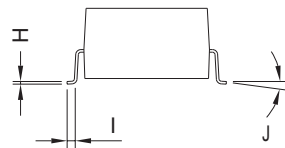
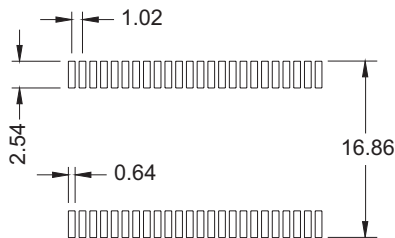
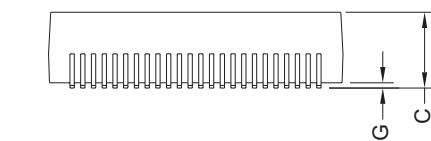
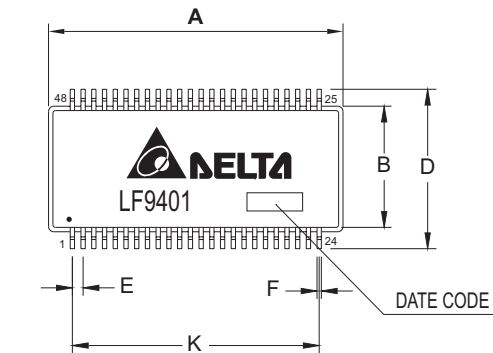
Networking Components



ELECTRICAL CHARACTERISTICS @25°C

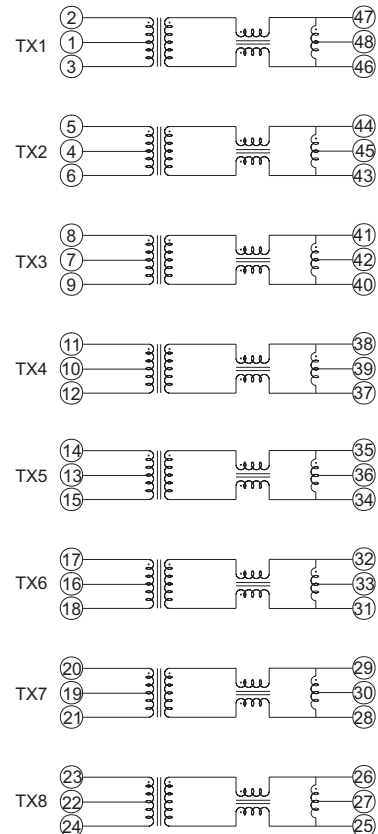
Rise Time & Fall Time @5.0ns (Max), Hi-Pot Test @60Sec, 1500Vrms, OCL @8mA DC Bias 350uH (Min)																
Model	Insertion Loss (dB Max)			Return Loss (dB Min)					Cross Talk (dB Min)			Com. To Com. Rejection Ratio (dB Min)	Diff. To Com. Mode Rejection (dB Min)			Turns Ratio TX/RX (± 5%)
	1-60	60-100	100-125	1-30	40	50	60-80	100	30	60	100	1-100	30	60	100	1
	MHz			MHz					MHz			MHz	MHz			MHz
LF9401	-0.5	-1.0	-1.2	-18	-14.4	-13.1	-12	-10	-40	-35	-30	-30	-40	-35	-30	1:1 / 1:1

MECHANICAL CONSTRUCTION



UNIT : mm / inch
 A = 27.81.00 ± 0.254 / 1.095 ± 0.010
 B = 12.20 ± 0.254 / 0.480 ± 0.010
 C = 7.24 ± 0.254 / 0.285 ± 0.010
 D = 15.24 ± 0.254 / 0.600 ± 0.010
 E = 1.02 / 0.040 (TYP)
 F = 0.41 ± 0.127 / 0.016 ± 0.005
 G = 0.254 ± 0.127 / 0.010 ± 0.005
 H = 0.254 / 0.010 (TYP)
 I = 0.69 ± 0.254 / 0.027 ± 0.010
 J = 0°~8°
 K = 23.46 / 0.924 (TYP)

SCHEMATICS



DELTA ELECTRONICS, INC.

(TAOYUAN PLANT CPBG) 252, SAN YING ROAD, KUEI SAN INDUSTRIAL ZONE, TAOYUAN SHIEN, TAIWAN, R.O.C.
 TEL: 886-3-3591968; FAX: 886-3-3591991
[Http://www.deltaww.com/products/networking](http://www.deltaww.com/products/networking)