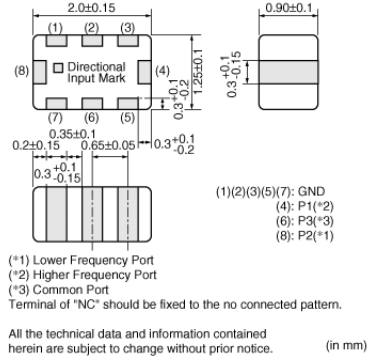
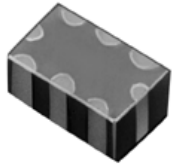


LFD212G45DP3A151

In Production Recommended RoHS REACH

Appearance & Shape



Features

Adioplexer branching low and high band.

1. Low insertion loss.
2. Small size, low-profiled and light weight.
3. Absolutely no adjustment required.
4. Reflow solderable.

Packaging Information

Packaging	Specifications	Minimum Order Quantity
-	180mm Embossed Tape	4000

Attention

1. This datasheet is downloaded from the website of Murata Manufacturing Co., Ltd. Therefore, its specifications are subject to change or our products in it may be discontinued without advance notice. Please check with our sales representatives or product engineers before ordering.
2. This datasheet has only typical specifications because there is no space for detailed specifications. Therefore, please review our product specifications or consult the approval sheet for product specifications before ordering.

LFD212G45DP3A151



Specifications

Applications	WLAN BT	Thickness(max.)	1.0mm
Center Frequency(P1)(f1)	5487.50MHz		
Frequency Range(P1)(f1)	5150.00MHz to 5825.00MHz		
Center Frequency(P2)(f2)	2450.00MHz		
Frequency Range(P2)(f2)	2400.00MHz to 2500.00MHz		
Insertion Loss I(P1-P3 in f1)	0.75dB max. (at 25°C)		
Insertion Loss II(P1-P3 in f1)	0.85dB max. (-40 to +85°C)		
Insertion Loss I(P2-P3 in f2)	0.50dB max. (at 25°C)		
Insertion Loss II(P2-P3 in f2)	0.60dB max. (-40 to +85°C)		
Attenuation(P1-P3)(in f2)	20.0dB min.		
Attenuation(P2-P3)(in f1)	16.0dB min.		
VSWR(P1)(in f1)	1.70 max.		
VSWR(P2)(in f2)	1.60 max.		
VSWR(P3)(in f1,f2)	(f1)1.70 max., (f2)1.60 max.		
Power Capacity	3W		
Operating Temperature Range	-40°C to 85°C		
L x W (size)	2.00x1.25mm		

Attention

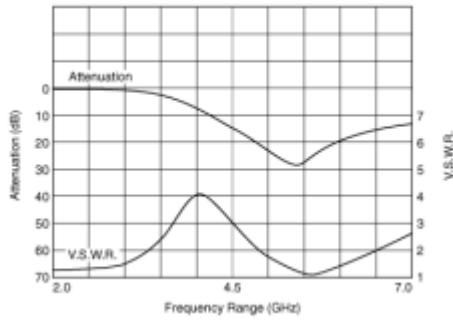
1.This datasheet is downloaded from the website of Murata Manufacturing Co., Ltd. Therefore, it's specifications are subject to change or our products in it may be discontinued without advance notice. Please check with our sales representatives or product engineers before ordering.

2.This datasheet has only typical specifications because there is no space for detailed specifications.

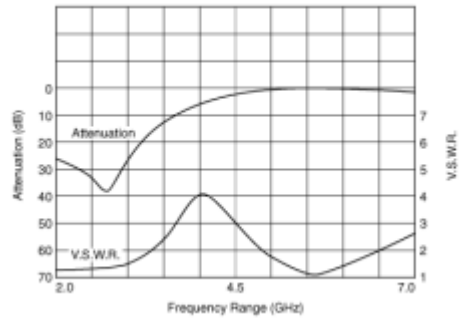
Therefore, please review our product specifications or consult the approval sheet for product specifications before ordering.

LFD212G45DP3A151

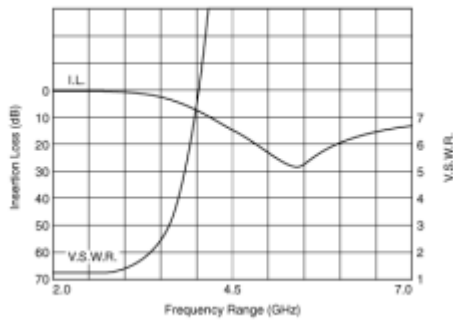
Product Data



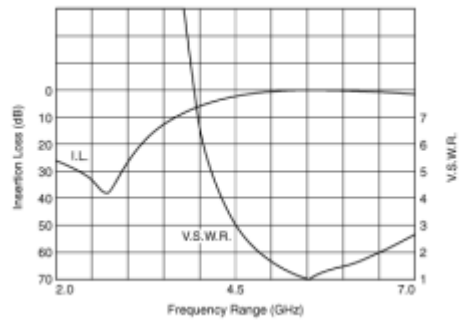
Attenuation(P2-P3), VSWR(P3)



Attenuation(P1-P3), VSWR(P3)



Insertion Loss(P2-P3), VSWR(P2)



Insertion Loss(P1-P3), VSWR(P1)

Attention

1.This datasheet is downloaded from the website of Murata Manufacturing Co., Ltd. Therefore, it's specifications are subject to change or our products in it may be discontinued without advance notice. Please check with our sales representatives or product engineers before ordering.
2.This datasheet has only typical specifications because there is no space for detailed specifications.
Therefore, please review our product specifications or consult the approval sheet for product specifications before ordering.