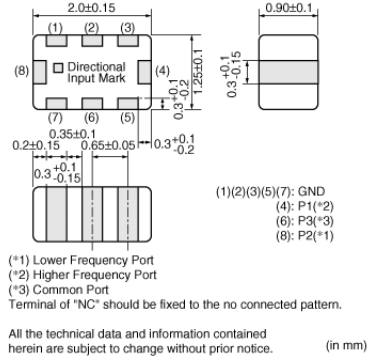
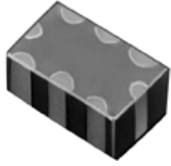


LFD212G45DP3A188

In Production Recommended RoHS REACH

Appearance & Shape



Features

Adioplexer branching low and high band.

1. Low insertion loss.
2. Small size, low-profiled and light weight.
3. Absolutely no adjustment required.
4. Reflow solderable.

Packaging Information

| Packaging | Specifications | Minimum Order Quantity |
|-----------|---------------------|------------------------|
| - | 180mm Embossed Tape | 4000 |

Attention

1. This datasheet is downloaded from the website of Murata Manufacturing Co., Ltd. Therefore, its specifications are subject to change or our products in it may be discontinued without advance notice. Please check with our sales representatives or product engineers before ordering.
2. This datasheet has only typical specifications because there is no space for detailed specifications. Therefore, please review our product specifications or consult the approval sheet for product specifications before ordering.

LFD212G45DP3A188



Specifications

| | | | |
|--------------------------------|------------------------------|-----------------|-------|
| Applications | WLAN BT | Thickness(max.) | 1.0mm |
| Center Frequency(P1)(f1) | 5375.00MHz | | |
| Frequency Range(P1)(f1) | 4900.00MHz to 5850.00MHz | | |
| Center Frequency(P2)(f2) | 2450.00MHz | | |
| Frequency Range(P2)(f2) | 2400.00MHz to 2500.00MHz | | |
| Insertion Loss I(P1-P3 in f1) | 0.75dB max. (at 25°C) | | |
| Insertion Loss II(P1-P3 in f1) | 0.85dB max. (-40 to +85°C) | | |
| Insertion Loss I(P2-P3 in f2) | 0.50dB max. (at 25°C) | | |
| Insertion Loss II(P2-P3 in f2) | 0.60dB max. (-40 to +85°C) | | |
| Attenuation(P1-P3)(in f2) | 21.0dB min. | | |
| Attenuation(P2-P3)(in f1) | 17.0dB min. | | |
| VSWR(P1)(in f1) | 1.80 max. | | |
| VSWR(P2)(in f2) | 1.70 max. | | |
| VSWR(P3)(in f1,f2) | (f1)1.80 max., (f2)1.70 max. | | |
| Power Capacity | 3W | | |
| Operating Temperature Range | -40°C to 85°C | | |
| L x W (size) | 2.00x1.25mm | | |

Attention

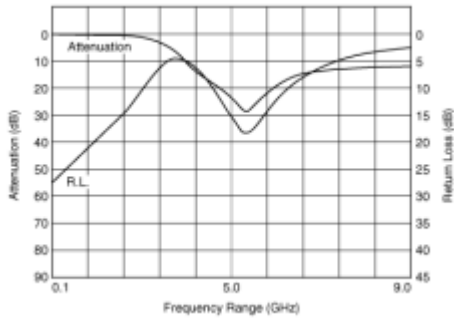
1.This datasheet is downloaded from the website of Murata Manufacturing Co., Ltd. Therefore, it's specifications are subject to change or our products in it may be discontinued without advance notice. Please check with our sales representatives or product engineers before ordering.

2.This datasheet has only typical specifications because there is no space for detailed specifications.

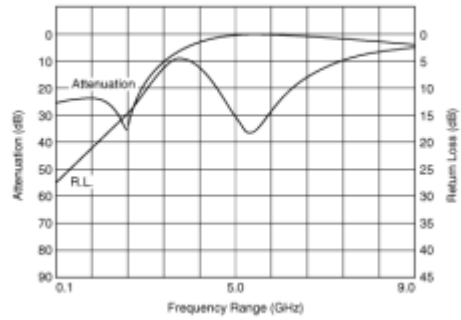
Therefore, please review our product specifications or consult the approval sheet for product specifications before ordering.

LFD212G45DP3A188

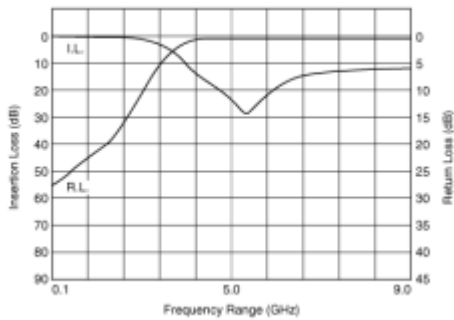
Product Data



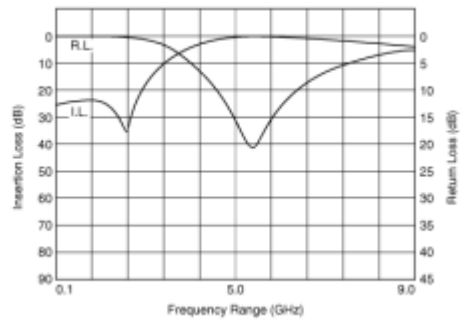
Attenuation(P2-P3), VSWR(P3)



Attenuation(P1-P3), VSWR(P3)



Insertion Loss(P2-P3), VSWR(P2)



Insertion Loss(P1-P3), VSWR(P1)

Attention

1.This datasheet is downloaded from the website of Murata Manufacturing Co., Ltd. Therefore, it's specifications are subject to change or our products in it may be discontinued without advance notice. Please check with our sales representatives or product engineers before ordering.
2.This datasheet has only typical specifications because there is no space for detailed specifications.
Therefore, please review our product specifications or consult the approval sheet for product specifications before ordering.