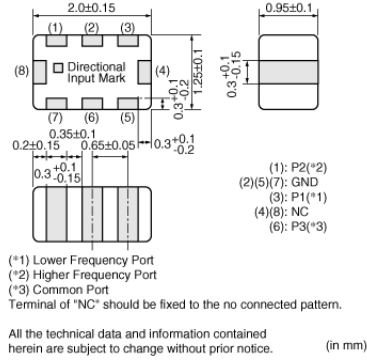
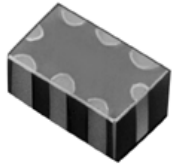


LFD21892MDP2B860



Appearance & Shape



Features

Adiplier branching low and high band.

1. Low insertion loss.
2. Small size, low-profiled and light weight.
3. Absolutely no adjustment required.
4. Reflow solderable.

Packaging Information

Packaging	Specifications	Minimum Order Quantity
-	180mm Embossed Tape	4000

Attention

1. This datasheet is downloaded from the website of Murata Manufacturing Co., Ltd. Therefore, its specifications are subject to change or our products in it may be discontinued without advance notice. Please check with our sales representatives or product engineers before ordering.
2. This datasheet has only typical specifications because there is no space for detailed specifications. Therefore, please review our product specifications or consult the approval sheet for product specifications before ordering.

LFD21892MDP2B860



Specifications

Applications	GSM	Thickness(max.)	1.05mm
Center Frequency{P1}(f1)	892.00MHz		
Frequency Range{P1}(f1)	824.00MHz to 960.00MHz		
Center Frequency{P2}(f2)	1850.00MHz		
Frequency Range{P2}(f2)	1710.00MHz to 1990.00MHz		
Insertion Loss I){P1-P3 in f1}	0.40dB max. (at 25°C)		
Insertion Loss II){P1-P3 in f1}	0.50dB max. (-40 to +85°C)		
Insertion Loss I){P2-P3 in f2}	0.60dB max. (at 25°C)		
Insertion Loss II){P2-P3 in f2}	0.70dB max. (-40 to +85°C)		
Attenuation{P1-P3}(in f2)	17.0dB min.		
Attenuation{P2-P3}(in f1)	19.0dB min.		
VSWR{P1}(in f1)	1.70 max.		
VSWR{P2}(in f2)	2.00 max.		
VSWR{P3}(in f1,f2)	2.00 max.		
Power Capacity	3W		
Operating Temperature Range	-40°C to 85°C		
L x W (size)	2.00x1.25mm		

Attention

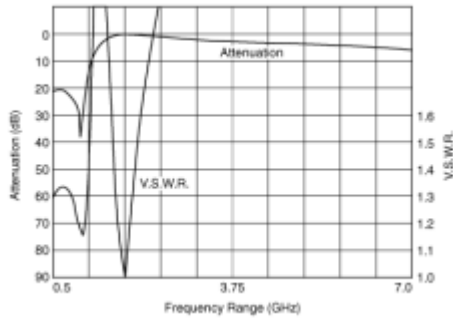
1.This datasheet is downloaded from the website of Murata Manufacturing Co., Ltd. Therefore, it's specifications are subject to change or our products in it may be discontinued without advance notice. Please check with our sales representatives or product engineers before ordering.

2.This datasheet has only typical specifications because there is no space for detailed specifications.

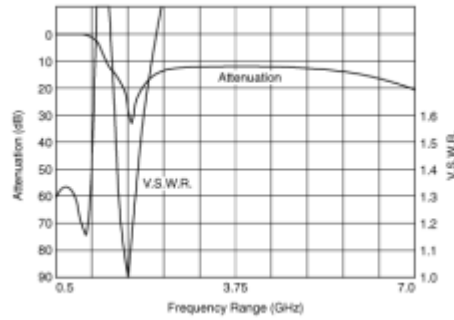
Therefore, please review our product specifications or consult the approval sheet for product specifications before ordering.

LFD21892MDP2B860

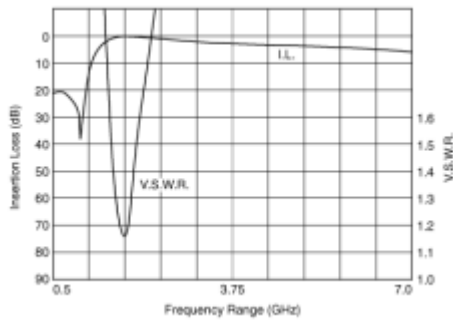
Product Data



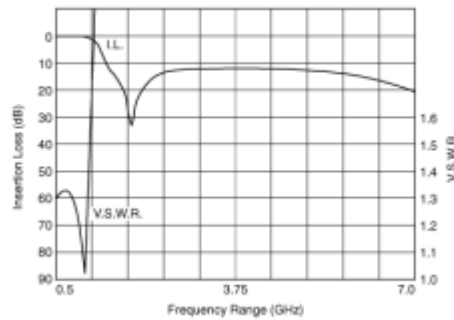
Attenuation(P2-P3), VSWR(P3)



Attenuation(P1-P3), VSWR(P3)



Insertion Loss(P2-P3), VSWR(P2)



Insertion Loss(P1-P3), VSWR(P1)

Attention

1.This datasheet is downloaded from the website of Murata Manufacturing Co., Ltd. Therefore, it's specifications are subject to change or our products in it may be discontinued without advance notice. Please check with our sales representatives or product engineers before ordering.
2.This datasheet has only typical specifications because there is no space for detailed specifications.
Therefore, please review our product specifications or consult the approval sheet for product specifications before ordering.