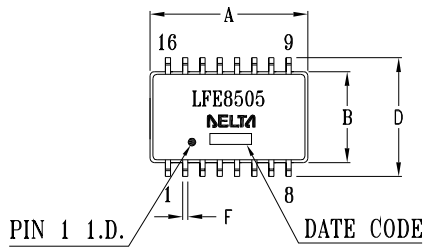




SPECIFICATION FOR APPROVAL

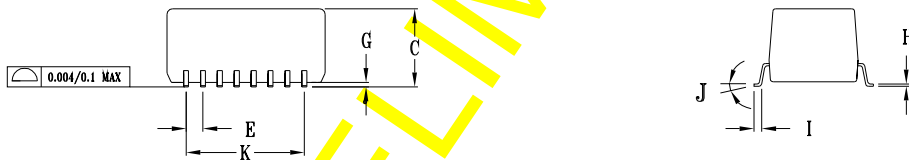
Customer Part No.: Delta Part No.: LFE8505 Part Name: LAN Filter (10/100 Base-T Single Port)	Rev.: G
	RoHS COMPLIANT

1. Mechanical Dimension:

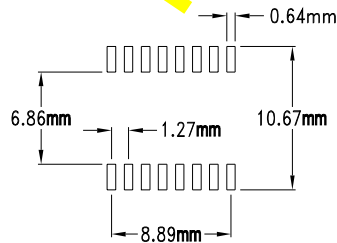


UNIT:mm/inch

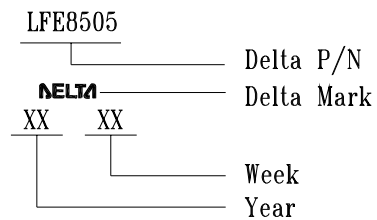
A=12.90±0.254/0.508±0.010
B=7.10±0.254/0.279±0.010
C=5.95±0.254/0.234±0.010
D=9.45±0.254/0.372±0.010
E=1.27±0.127/0.050±0.005
F=0.46±0.127/0.018±0.005
G=0.254±0.127/0.010±0.005
H=0.254±0.127/0.010±0.005
I=0.38~1.27/0.015~0.050
J=0°~8°
K=8.89±0.127/0.350±0.005
co planarity : 0.004"



1-1. Marking and Recommended PCB Layout:



(Component Side)
Suggested PCB Layout



* Marking

* This specification is the proprietary of Delta Electronics, Inc.

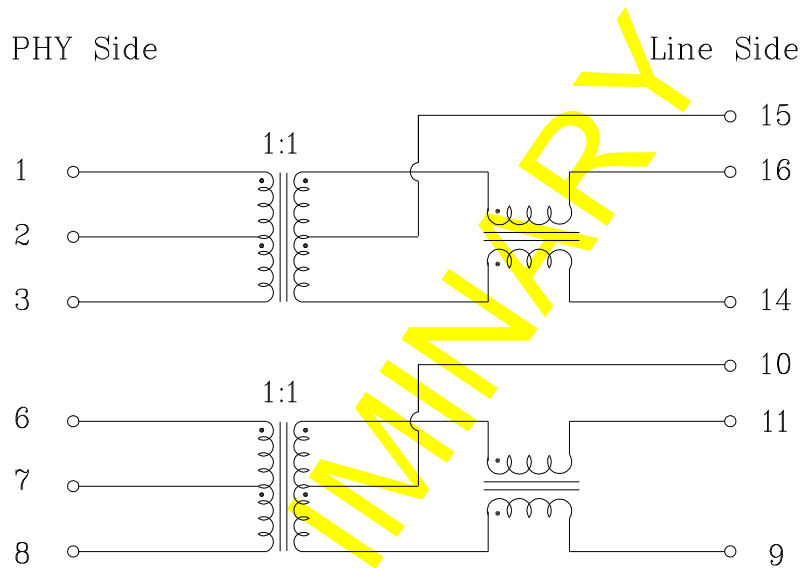
* This specification is only for preliminary review. If formal specification is required, please contact with our local Sales office or Rep.



SPECIFICATION FOR APPROVAL

Customer Part No.: Delta Part No.: LFE8505 Part Name: LAN Filter (10/100 Base-T Single Port)	Rev.: G
--	-------------

2. Circuit Schematic



* This specification is the proprietary of Delta Electronics, Inc.

* This specification is only for preliminary review. If formal specification is required, please contact with our local Sales office or Rep.



SPECIFICATION FOR APPROVAL

Customer Part No.: Delta Part No.: LFE8505 Part Name: LAN Filter (10/100 Base-T Single Port)	Rev.: G
--	-------------

3. Electrical Characteristics (Temp.: 20~30°C, Humidity: 40%~75% RH)

3-1. Insertion Loss: (Tx & Rx)
1-100MHz -1.0dB MAX.

3-2. Return Loss: (Tx & Rx)
2-30MHz -18dB MIN.
40MHz -17dB MIN.
50MHz -14.5dB MIN.
60-80MHz -12dB MIN.

3-3. Cross Talk:
1-100MHz -30dB MIN.

3-4. Common Mode Rejection: (Tx & Rx)
1-100MHz -30dB MIN.

3-5. Turns Ratio: @100KHz
Tx = 1:1±5%
Rx = 1:1±5%

3-6. Primary Inductance: @100KHz,0.1Vrms
8mA DC BIAS 350uH MIN.

3-7. Hi-Pot Test: @60Hz,1mA
(Pri To Sec) : 1500Vrms,60Sec

3-8. DC Resistance:
Pri : 0.25~1.1 OHM
Sec : 0.1~0.7 OHM

- * RoHS Compliant
- * IEEE802.3 compliant
- * Solder Wire SAC 305 Sn 96.5/Ag 3.0/Cu 0.5
- * Use Pb:Sn=w95:w5 solder for internal connection which is exempted from RoHS regulations
- * Storage Temperature Range: -40°C~85°C
- * Operate Temperature Range: 0~70°C

* This specification is the proprietary of Delta Electronics, Inc.

* This specification is only for preliminary review. If formal specification is required, please contact with our local Sales office or Rep.