



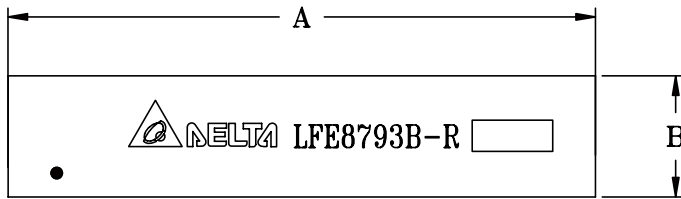
SPECIFICATION FOR APPROVAL

CUSTOMER PART NO.:
 DELTA PART NO.: LFE8793B-R
 PART NAME: 100Base-T quad port transformer

REV.: E

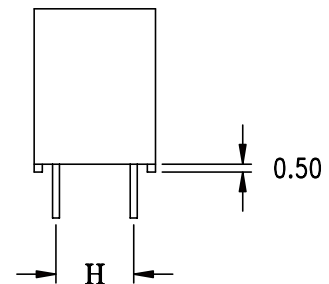
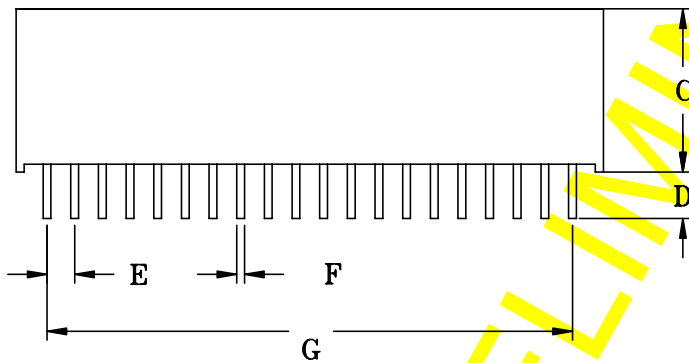


1. MECHANICAL DIMENSIONS :

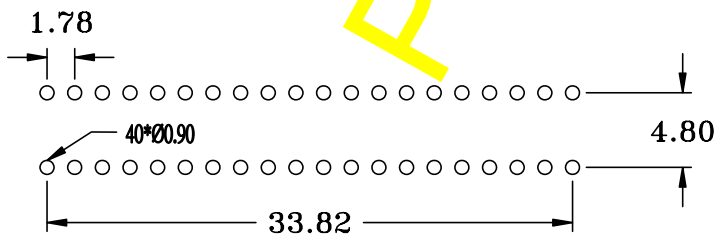


UNIT: mm/inch

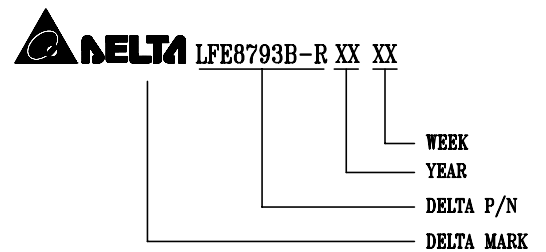
- A = 37.8±0.254/1.488±0.010
- B = 7.8±0.254/0.307±0.01
- C = 10.5±0.254/0.413±0.01
- D = 3.0±0.254/0.118±0.01
- E = 1.78±0.254/0.07±0.01
- F = 0.5±0.05/0.012±0.002
- G = 33.82±0.254/1.33±0.01
- H = 4.8±0.254/0.189±0.01



2. MARKING AND RECOMMENDED PCB LAYOUT :



SUGGESTED PCB LAYOUT(Unit:mm)



* MARKING*

* This specification is the proprietary of Delta Electronics, Inc.
 * This specification is only for preliminary review. If formal specification is required, please contact with our local Sales office or Rep.



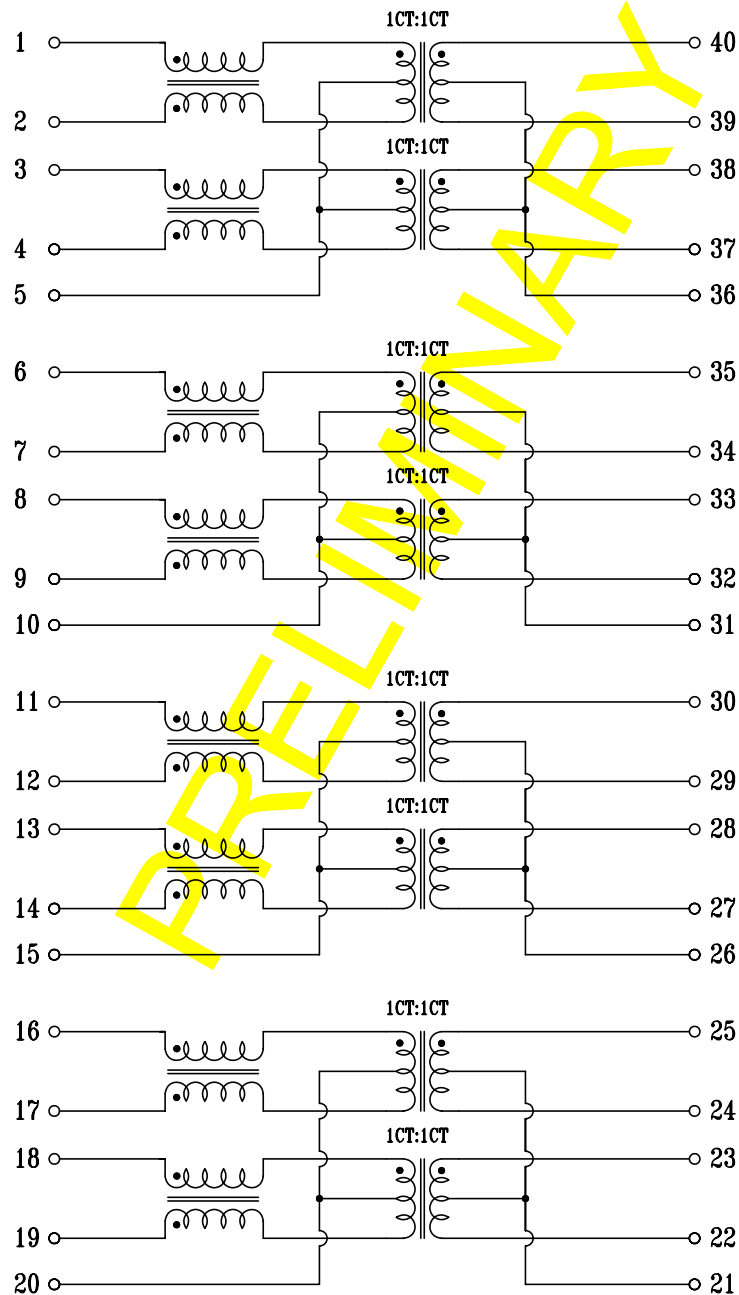
SPECIFICATION FOR APPROVAL

CUSTOMER PART NO.:
DELTA PART NO.: LFE8793B-R
PART NAME: 100Base-T quad port transformer

REV.: E



3. CIRCUIT SCHEMATIC:



* This specification is the proprietary of Delta Electronics, Inc.

* This specification is only for preliminary review. If formal specification is required, please contact with our local Sales office or Rep.



SPECIFICATION FOR APPROVAL

CUSTOMER PART NO.:
DELTA PART NO.: LFE8793B-R
PART NAME: 100Base-T quad port transformer

REV.: E



4. ELECTRICAL CHARACTERISTICS (TEMP: 25°C, HUM: 65% RH)

4-1. INSERTION LOSS:

1-100MHz -1.2dB MAX

4-2. RETURN LOSS:

30MHz -15dB MIN.

50MHz -13dB MIN.

80MHz -11dB MIN.

4-3. CROSS TALK:

1~30MHz -40dB MIN.

30~60MHz -35dB MIN.

60~100MHz -30dB MIN.

4-4. COMMON MODE REJECTION:

1-30MHz -30dB MIN.

30~60MHz -25dB MIN.

60~125MHz -20dB MIN.

4-5. PRIMARY INDUCTANCE: @100KHz, 0.1Vrms, 8mA DC BIAS
350uH MIN

4-6. HI-POT TEST: @60Hz
(PRI TO SEC) : 1500Vrms, 60Sec

4-7. TURNS RATIO:
(TX : RX) : 1CT:1CT±3%

- * RoHS compliant
- * STORAGE TEMPERATURE RANGE: -40°C~85°C
- * OPERATE TEMPERATURE RANGE: 0~70°C
- * PLASTIC HEAT DEFLECTION TEMP: 260°C~280°C