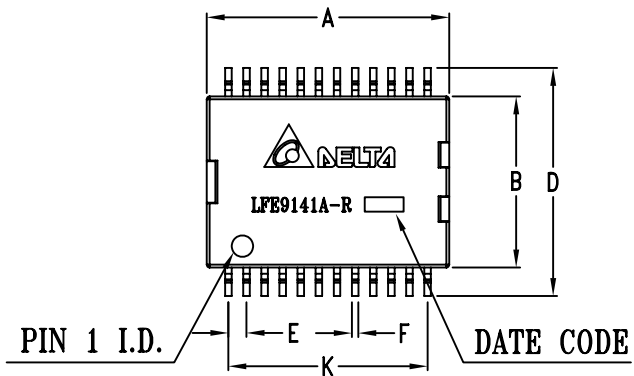




SPECIFICATION FOR APPROVAL

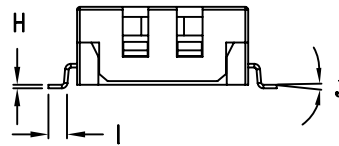
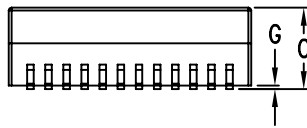
Customer Part No.: Delta Part No.: LFE9141A-R Part Name: LAN Filter (1000 Base-T Single Port)	Rev.: B

1. Mechanical Dimension:

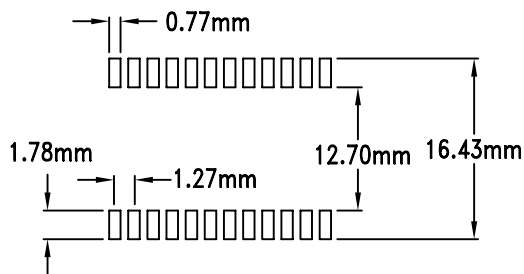


UNIT: mm/inch

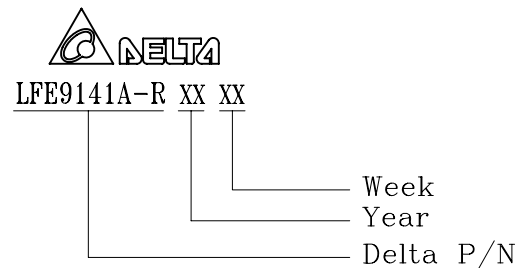
A	=	17.10±0.254/0.673±0.010
B	=	12.00±0.254/0.472±0.010
C	=	5.71±0.127/0.225±0.005
D	=	16.00±0.254/0.630±0.010
E	=	1.27±0.127/0.050±0.005
F	=	0.46±0.127/0.018±0.005
G	=	0.254±0.127/0.010±0.005
H	=	0.254±0.10/0.010±0.004
I	=	1.25±0.127/0.049±0.005
J	=	0°~8°
K	=	13.97±0.127/0.550±0.005



1-1. Marking and Recommended PWB Layout:



(Component Side)
Suggested PWB Layout



* Marking

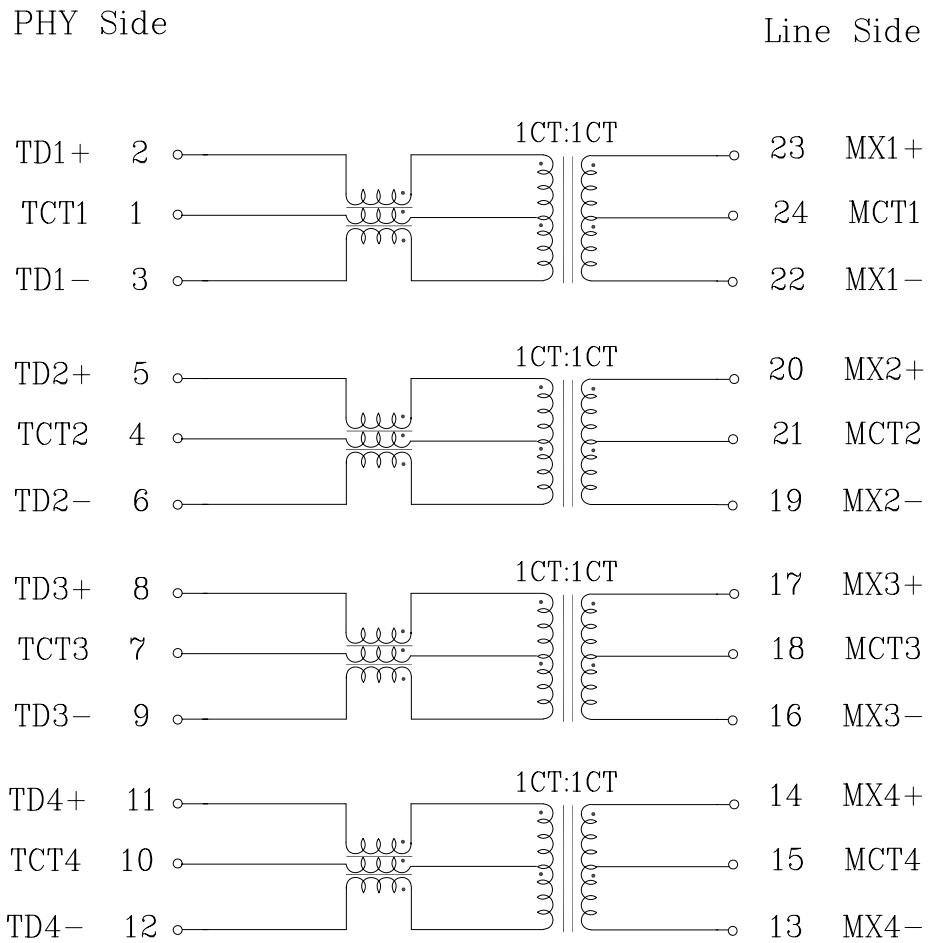
Drawn by Sy.Du	Designed by Sf.Yu	Checked by Sf.Yu	Approved by Jorge.Wang
-------------------	----------------------	---------------------	---------------------------



SPECIFICATION FOR APPROVAL

Customer Part No.: Delta Part No.: LFE9141A-R Part Name: LAN Filter (1000 Base-T Single Port)	Rev.: B
---	-------------

2. Circuit Schematic:





SPECIFICATION FOR APPROVAL

Customer Part No.:
Delta Part No.: LFE9141A-R
Part Name: LAN Filter (1000 Base-T Single Port)

Rev.: B



3. Electrical Characteristics: (Temp.: 20~30°C, Humidity: 40%~75% RH)

3-1. Insertion Loss:

1-100MHz -1.2dB MAX.
100-125MHz -1.4dB MAX.

3-2. Return Loss:

1-30MHz -16.0dB MIN.
30-40MHz -13.5dB MIN.
40-50MHz -11.5dB MIN.
50-80MHz -10.0dB MIN.

3-3. Cross Talk:

1-100MHz -30dB MIN.

3-4. Common Mode Rejection:

1-100MHz -30dB MIN.

3-5. Open Circuit Inductance: @100KHz,0.1Vrms 8mA DC Bias 350uH MIN.

3-6. Turns Ratio: @100KHz

(2-3 : 23-22) = 1CT:1CT±3%
(5-6 : 20-19) = 1CT:1CT±3%
(8-9 : 17-16) = 1CT:1CT±3%
(11-12 : 14-13) = 1CT:1CT±3%

3-7. Hi-pot Test: @60Hz,1mA

(Pri To Sec).....1500Vrms,60Sec

- * RoHS Compliant
- * Solder Wire SAC 305 Sn 97/Ag 3.0
- * Operate Temperature Range: 0~70°C
- * Storage Temperature Range: -40°C~85°C