



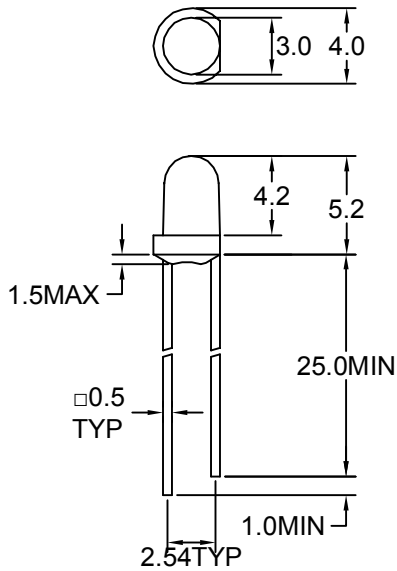
**LIGITEK**

**FLASH ROUND TYPE LED LAMPS**

**LFH2060**

**SERIES**

**Package Dimension**



Note: 1. All dimension are in millimeter tolerance is  $\pm 0.25\text{mm}$  unless otherwise noted  
 2. Specifications are subject to change without notice

**Features**

- Built-in IC chip flashes lamps on and off to attract attention
- Pulse rate 2.4Hz
- T-1 size
- 1 inch leads
- Large full flood radiating area
- IC compatible

**Description**

The LFH2060 series is a solid state lamp with a red diffused plastic lens. The built-in IC flashes the lamp on/off and can be driven directly by standard TTL and CMOS circuit eliminating the need for external switching circuitry.

**Part Selection And Application Information (Ratings At 25 Ambient)**

PART NO	MATERIAL	COLOR		Peak wave length Pnm	Spectral halfwidth nm	Pulse rate(Hz) volt=5v		Luminous intensity volt=5v(mcd)		Operating voltage	
		Emitted	Lens			Min.	Max.	Min.	Typ.	Min.	Max.
LFH2060	GaP	Red	Red Diffused	697	90	2.0	3.0	1.8	3.2	3.0	10

**Absolute Maximum Rating (Ta=25 )**

PARAMETER	RED		GREEN		YELLOW		ORANGE		UNIT	REMARK
		H								
Peak Current (1/4 Duty cycle)		60							mA	
Operating Voltage	10								V	
Reverse Voltage	0.4								V	
Operating Temperature	-0 TO +85									
Storage Temperature	-20 TO +85									

Lead Soldering Temperature 260 For 5 Seconds(2.0mm From Body)