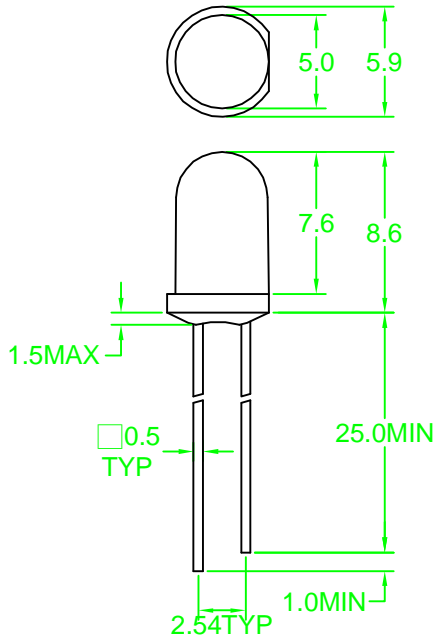




Package Dimension



Note:1.All dimension are in millimeter tolerance is $\pm 0.25\text{mm}$ unless otherwise noted
2.Specifications are subject to change without notice

Features

- Built-in IC chip flashes lamps on and off to attract attention
- Pulse rate 2.4Hz
- T-1 size
- 1 inch leads
- Large full flood radiating area
- IC compatible

Description

The LFH3360-PF series is a solid state lamp with a red diffused plastic lens. The built-in IC flashes the lamp on/off and can be driven directly by standard TTL and CMOS circuit eliminating the need for external switching circuitry.

• Part Selection And Application Information (Ratings At 25°C Ambient)

PART NO	MATERIAL	COLOR		Peak wave length λ Pnm	Spectral halfwidth $\Delta \lambda$ nm	Pulse rate(Hz) volt=5v		Luminous intensity volt=5v(mcd)		Operating voltage	
		Emitted	Lens			Min.	Max.	Min.	Typ.	Min.	Max.
LFH3360-PF	GaP	Red	Red Diffused	697	90	2.0	3.0	1.7	2.8	3.0	12

• Absolute Maximum Rating (Ta=25°C)

PARAMETER	RED			GREEN			YELLOW			ORANGE			UNIT	REMARK
			H											
Peak Current (1/4) Duty cycle			60										mA	
Operating Voltage	10												V	
Reverse Voltage	0.4												V	
Operating Temperature	0°C TO +85°C													
Storage Temperature	-20°C TO +85°C													



Soldering Condition(Pb-Free)

1.Iron:

- Soldering Iron:30W Max
- Temperature 350° C Max
- Soldering Time:3 Seconds Max(One Time)
- Distance:2mm Min(From solder joint to body)

2.Wave Soldering Profile

- Dip Soldering
- Preheat: 120° C Max
- Preheat time: 60seconds Max
- Ramp-up
- 2° C/sec(max)
- Ramp-Down:-5° C/sec(max)
- Solder Bath:260° C Max
- Dipping Time:3 seconds Max
- Distance:2mm Min(From solder joint to body)

