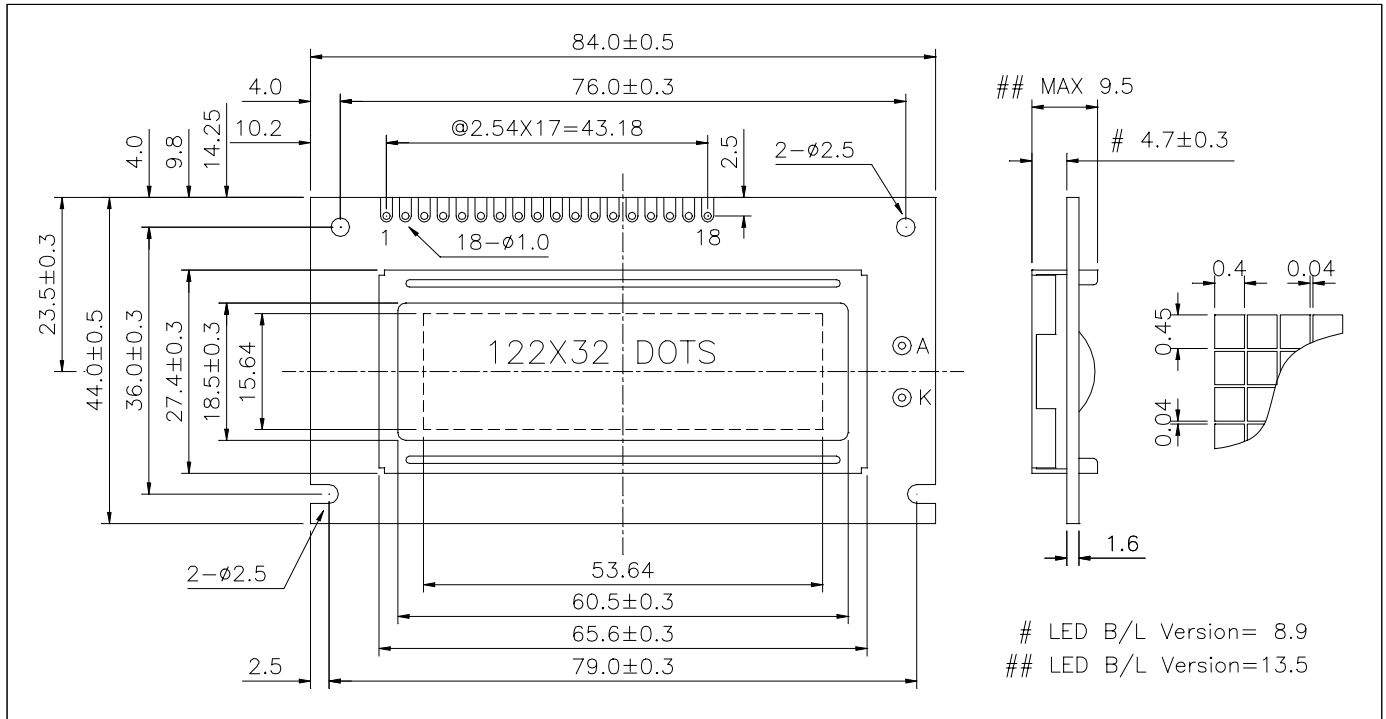


LG122322 122 x 32 dots



ABSOLUTE MAXIMUM RATINGS

| Item | Symbol | Min. | Max. | Unit |
|-----------------------|-----------------------------------|------|-----------------------|------|
| Supply Voltage(Logic) | V _{DD} - V _{SS} | -0.3 | 7.0 | V |
| Supply Voltage(LCD) | V _{DD} - V _O | -0.3 | 13.5 | V |
| Input Voltage | V _I | -0.3 | V _{DD} + 0.3 | V |
| Operating Temp. | T _{opr} | -20 | 70 | °C |
| Storage Temp. | T _{stg} | -20 | 80 | °C |

MECHANICAL DATA

| Item | Nominal Dimensions | Unit |
|---------------------------|------------------------|------|
| Module Size (W x H x T) | 84.0 x 44.0 x 9.5/13.5 | mm |
| Viewing Area (W x H) | 60.5 x 18.5 | mm |
| Dot Pitch (W x H) | 0.44 x 0.49 | mm |
| Dot Size (W x H) | 0.40 x 0.45 | mm |
| Weight (Reflective/LED) | Approx. 30 / 40 | g |

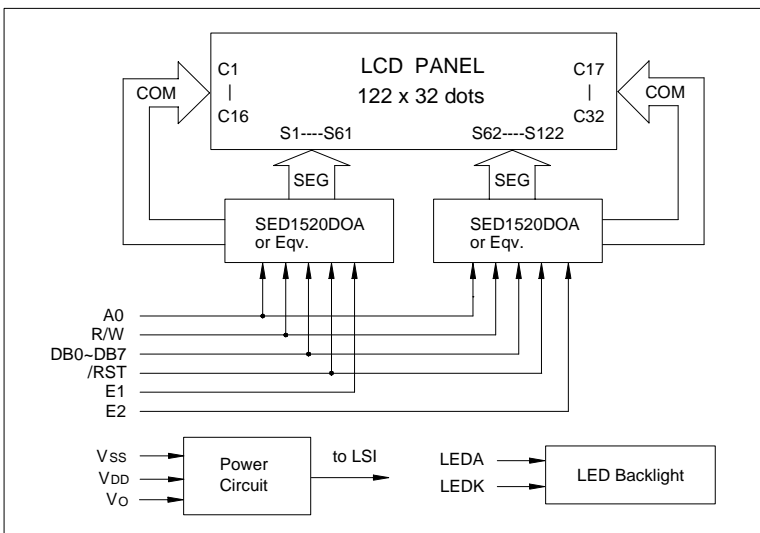
ELECTRICAL CHARACTERISTICS (V_{DD}=5V±0.25V)

| Item | Symbol | Test Condition | Min. | Typ. | Max. | Unit |
|---------------------|----------------------------------|--------------------------|------|------|-----------------|------|
| Input High Voltage | V _{IH} | -- | 2.0 | -- | V _{DD} | V |
| Input Low Voltage | V _{IL} | -- | -0.3 | -- | 0.8 | V |
| Output High Voltage | V _{OH} | I _{OH} = -3.0mA | 2.4 | -- | V _{DD} | V |
| Output Low Voltage | V _{OL} | I _{OL} = 3.0mA | 0 | -- | 0.4 | V |
| Supply Current | I _{DD} | V _{DD} = 5.0V | -- | 0.5 | 1.0 | mA |
| LCD Driving Voltage | V _{DD} - V _O | T _a =25°C | -- | 6.5 | -- | V |

PIN CONNECTIONS

| Pin | Symbol | Level | Function |
|-----|-----------------|-------|----------------------------------|
| 1 | V _{SS} | 0V | GND |
| 2 | V _{DD} | +5V | Power supply for Logic |
| 3 | V _O | -- | Operating voltage for LCD |
| 4 | A0 | H/L | H : Data L : Instruction code |
| 5 | E1 | H,H>L | Enable signal 1 |
| 6 | E2 | H,H>L | Enable signal 2 |
| 7 | R/W | H/L | H : Read L : Write |
| 8 | DB0 | H/L | Data bus line |
| 9 | DB1 | H/L | |
| 10 | DB2 | H/L | |
| 11 | DB3 | H/L | |
| 12 | DB4 | H/L | |
| 13 | DB5 | H/L | |
| 14 | DB6 | H/L | |
| 15 | DB7 | H/L | |
| 16 | /RST | L | Reset signal, active "L" |
| 17 | LEDA | +5V | Power supply for LED backlight |
| 18 | LEDK | 0V | |

BLOCK DIAGRAM



LED BACKLIGHT SPECIFICATIONS (T_a=25°C)

| Item | Symbol | Typ. | Max. | Unit |
|----------------------|----------------|------|------|------|
| Forward Voltage | V _f | 4.1 | 4.3 | V |
| Forward Current | I _f | 120 | -- | mA |
| Emission Wave Length | λ _p | 568 | -- | nm |