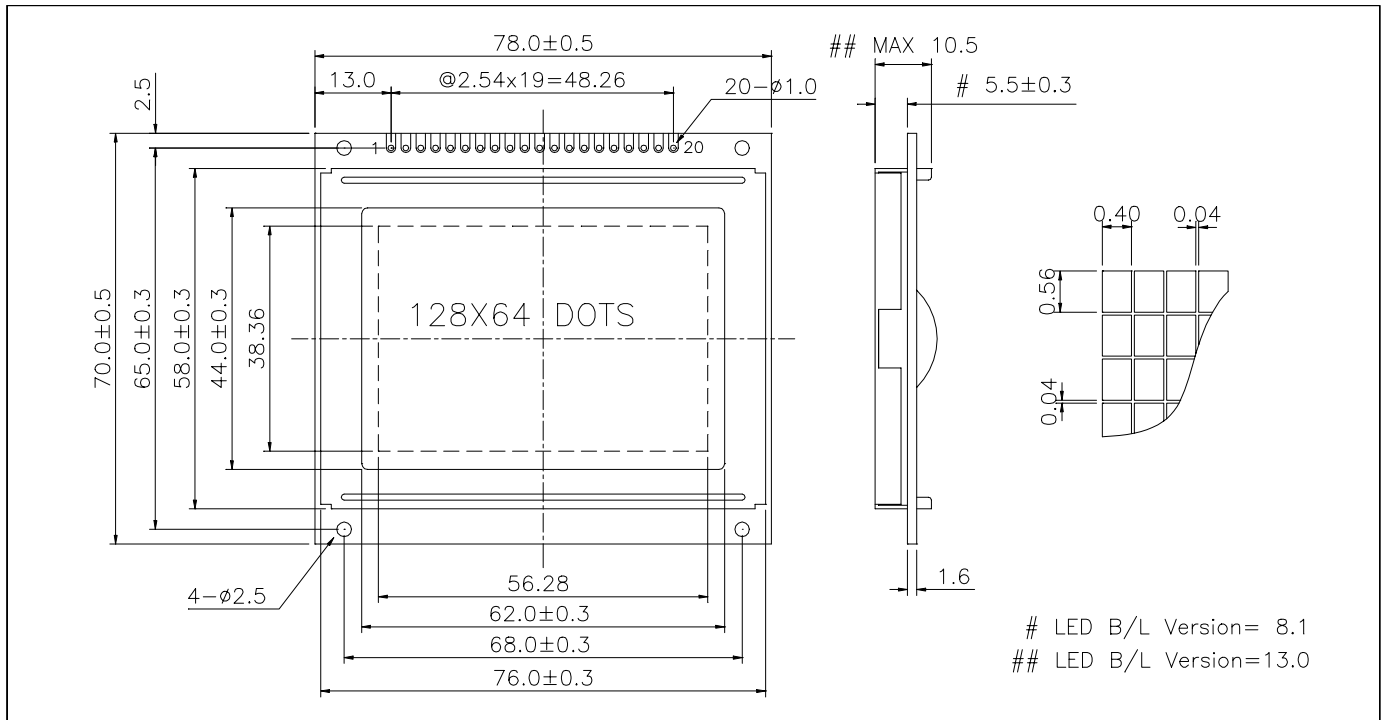


LG128641 128 x 64 dots



ABSOLUTE MAXIMUM RATINGS

Item	Symbol	Min.	Max.	Unit
Supply Voltage(Logic)	V _{DD} - V _{SS}	-0.3	7.0	V
Supply Voltage(LCD)	V _{DD} - V _O	-0.3	19.0	V
Input Voltage	V _I	-0.3	V _{DD} + 0.3	V
Operating Temp.	T _{opr}	-20	70	°C
Storage Temp.	T _{stg}	-30	80	°C

MECHANICAL DATA

Item	Nominal Dimensions	Unit
Module Size (W x H x T)	78.0 x 70.0 x 10.5/13.0	mm
Viewing Area (W x H)	62.0 x 44.0	mm
Dot Pitch (W x H)	0.44 x 0.60	mm
Dot Size (W x H)	0.40 x 0.56	mm
Weight (Reflective/LED)	Approx. 65 / 75	g

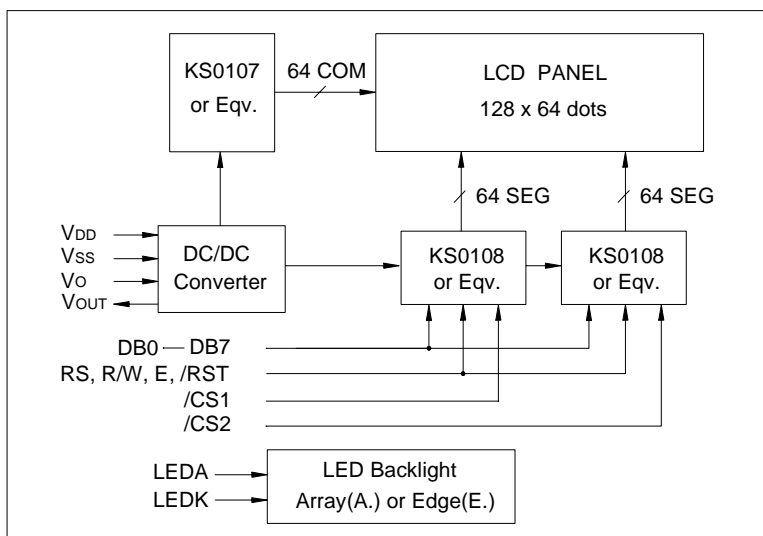
ELECTRICAL CHARACTERISTICS (V_{DD}=5V±0.25V)

Item	Symbol	Test Condition	Min.	Typ.	Max.	Unit
Input High Voltage	V _{IH}	--	2.0	--	V _{DD}	V
Input Low Voltage	V _{IL}	--	- 0.3	--	0.8	V
Output High Voltage	V _{OH}	I _{OH} = - 0.2mA	2.4	--	V _{DD}	V
Output Low Voltage	V _{OL}	I _{OL} = 1.6mA	0	--	0.4	V
Supply Current	I _{DD}	V _{DD} = 5.0V	--	6.0	8.0	mA
LCD Driving Voltage	V _{DD} - V _O	T _a =25°C	--	12.0	--	V

PIN CONNECTIONS

Pin	Symbol	Level	Function
1	/CS1	L	Chip selection for IC1, active "L"
2	/CS2	L	Chip selection for IC2, active "L"
3	V _{SS}	0V	GND
4	V _{DD}	+5V	Power supply for logic
5	V _O	--	Operating voltage for LCD
6	RS	H/L	H : Data L : Instruction code
7	R/W	H/L	H : Read L : Write
8	E	H,H>L	Enable signal
9	DB0	H/L	Data bus line
10	DB1	H/L	
11	DB2	H/L	
12	DB3	H/L	
13	DB4	H/L	
14	DB5	H/L	
15	DB6	H/L	
16	DB7	H/L	
17	/RST	L	Reset signal, active "L"
18	V _{OUT}	-10V	Output voltage for LCD driving
19	LEDA	+5V	Power supply for LED backlight
20	LEDK	0V	

BLOCK DIAGRAM



LED BACKLIGHT SPECIFICATIONS (T_a=25°C)

Item	Symbol	Typ.	Max.	Unit
Forward Voltage	V _f	4.1	4.3	V
Forward Current (A./E.)	I _f	300/150	--	mA
Emission Wave Length	λ _p	568	--	nm