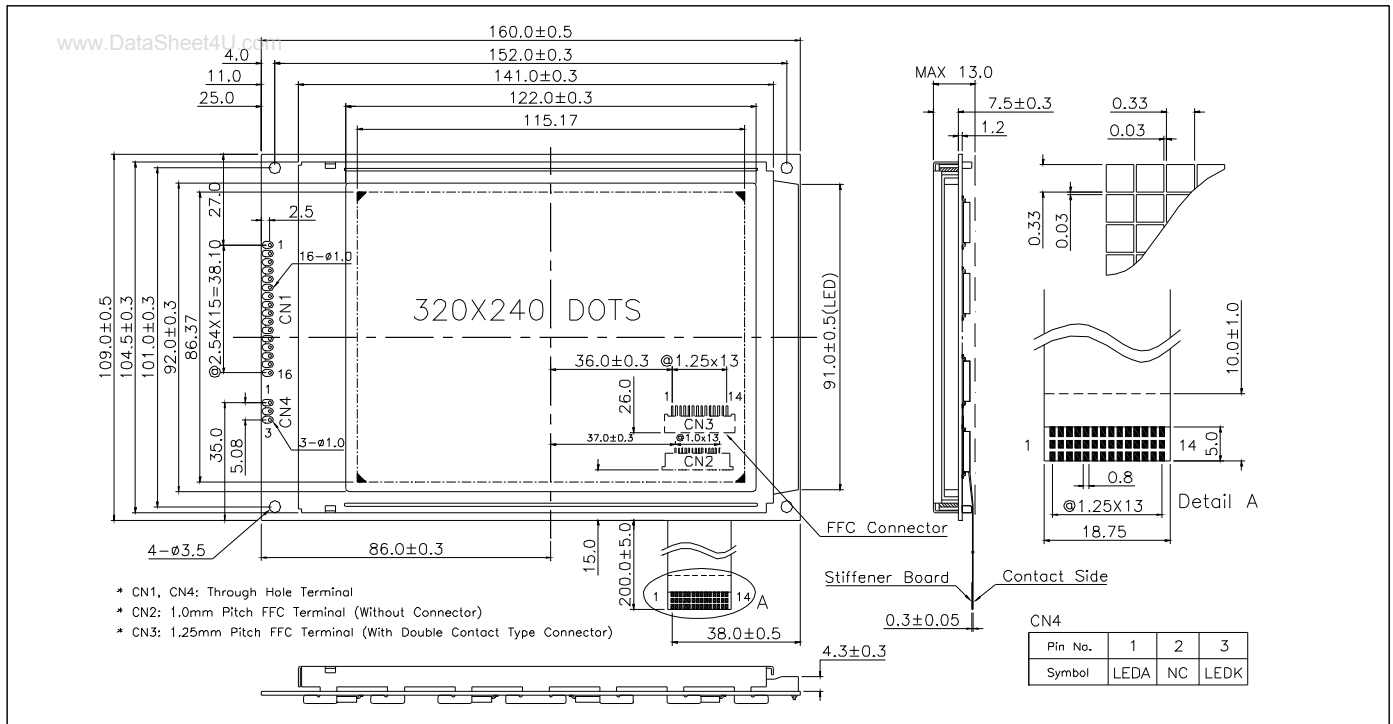


LG3202402-DWN 5.7", 320 x 240 dots + white led backlight without dc-dc converter



ABSOLUTE MAXIMUM RATINGS

Item	Symbol	Min.	Max.	Unit
Supply Voltage(Logic)	$V_{DD} - V_{SS}$	-0.3	7.0	V
Supply Voltage(LCD)	$V_{DD} - V_o$	-0.3	30.0	V
Input Voltage	V_i	-0.3	$V_{DD} + 0.3$	V
Operating Temp.	T_{opr}	-20	70	°C
Storage Temp.	T_{stg}	-30	80	°C

MECHANICAL DATA

Item	Nominal Dimensions	Unit
Module Size (W x H x T)	160.0 x 109.0 x 13.0	mm
Viewing Area (W x H)	122.0 x 92.0	mm
Dot Pitch (W x H)	0.36 x 0.36	mm
Dot Size (W x H)	0.33 x 0.33	mm
Weight	Approx. 220	g

ELECTRICAL CHARACTERISTICS ($V_{DD}=5V \pm 0.25V$)

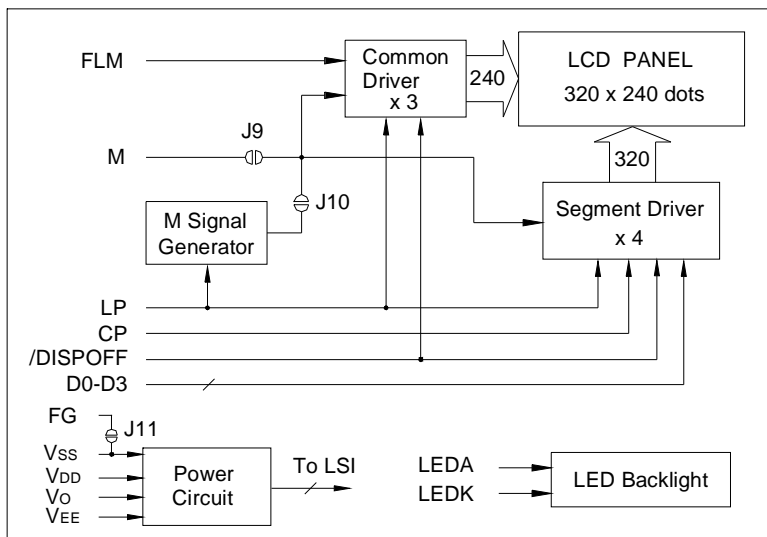
Item	Symbol	Test Condition	Min.	Typ.	Max.	Unit
Input High Voltage	V_{IH}	--	0.8 V_{DD}	--	V_{DD}	V
Input Low Voltage	V_{IL}	--	0	--	0.2 V_{DD}	V
Supply Current	I_{DD}	$V_{DD} = 5.0V$	--	6.0	10.0	mA
	I_{EE}	$V_{EE} = -22.0V$	--	4.0	8.0	mA
LCD Driving Voltage	$V_{DD} - V_o$	$T_a=25^\circ C$	--	22.6	--	V

PIN CONNECTIONS (CN1/CN2/CN3)

Pin	Symbol	Level	Function
1	D0	H/L	Data bus line
2	D1	H/L	
3	D2	H/L	
4	D3	H/L	
5	/DISPOFF	H/L	H: display on L: display off
6	FLM	H	Scan start-up pulse
7	NC (M)	--	No connection (J10 close and J9 open) or external M signal (J9 close and J10 open)
8	LP	H>L	Display data latch pulse
9	CP	H>L	Display data shift pulse
10	V_{DD}	3.3~5V	Power supply for logic
11	V_{SS}	0V	GND
12	V_{EE}	-22V	Input voltage for LCD driving
13	V_o	--	Operating voltage for LCD
14	FGND	--	Frame ground
15	LEDA	+5V	Power supply for LED backlight
16	LEDK	0V	Power supply for LED backlight

Note: Only CN1 is with Pin15 and Pin16 terminals

BLOCK DIAGRAM



LED BACKLIGHT SPECIFICATIONS ($T_a=25^\circ C$)

Item	Symbol	Typ.	Max.	Unit
Forward Voltage	V_f	3.1	3.3	V
Forward Current	I_f	150	--	mA
LED Color		White		