

5 mm (T1 ¾) LED, Non Diffused Super-Bright LED

LS 5421, LO 5411, LY 5421, LG 5411



Nicht für Neuentwicklungen / Not for New Designs

Besondere Merkmale

- **Gehäusetyyp:** klares 5 mm (T1 ¾) Gehäuse, eingefärbt (super-rot und gelb), nicht eingefärbt (orange und grün)
- **Besonderheit des Bauteils:** enge Abstrahlcharakteristik
- **Wellenlänge:** 628 nm (super-rot), 606 nm (orange), 587 nm (gelb), 570 nm (grün)
- **Abstrahlwinkel:** engwinklig (20°)
- **Technologie:** GaAIP
- **optischer Wirkungsgrad:** 1,5 lm/W (super-rot, orange, gelb), 2,5 lm/W (grün)
- **Gruppierungsparameter:** Lichtstärke
- **Lötmethode:** Wellenlöten (TTW)
- **Verpackung:** Schüttgut, gegurtet lieferbar

Anwendungen

- optischer Indikator
- Hinterleuchtung (LCD, Schalter, Tasten, Displays, Werbebeleuchtung, Allgemeinbeleuchtung)
- Innenbeleuchtung im Automobilbereich (z.B. Tastenhinterleuchtung, u.ä.)
- Ersatz von Kleinst-Glühlampen

Features

- **package:** clear 5 mm (T1 ¾) package, colored (super-red and yellow), colorless (orange and green)
- **feature of the device:** narrow viewing angle
- **wavelength:** 628 nm (super-red), 606 nm (orange), 587 nm (yellow), 570 nm (green)
- **viewing angle:** narrow (20°)
- **technology:** GaAIP
- **optical efficiency:** 1.5 lm/W (super-red, orange, yellow), 2.5 lm/W (green)
- **grouping parameter:** luminous intensity
- **soldering methods:** TTW soldering
- **packing:** bulk, available taped on reel

Applications

- optical indicators
- backlighting (LCD, switches, keys, displays, illuminated advertising, general lighting)
- interior automotive lighting. (e.g. key backlighting, etc.)
- substitution of micro incandescent lamps

Typ Type	Emissions- farbe Color of Emission	Gehäuse- farbe Color of Package	Lichtstärke Luminous Intensity $I_F = 10 \text{ mA}$ $I_V \text{ (mcd)}$	Lichtstrom Luminous Flux $I_F = 10 \text{ mA}$ $\Phi_V \text{ (mlm)}$	Bestellnummer Ordering Code
<ul style="list-style-type: none"> ■ LS 5421-NR ■ LS 5421-Q ■ LS 5421-R ■ LS 5421-S ■ LS 5421-QT 	super-red	red clear	28 ... 180 71 ... 112 112 ... 180 180 ... 280 71 ... 450	20 (typ.) 20 (typ.) 30 (typ.) 50 (typ.) 60 (typ.)	Q62703-Q1994 Q62703-Q1442 Q62703-Q1738 Q62703-Q2405 Q62703-Q1995
<ul style="list-style-type: none"> ■ LO 5411-QT ■ LO 5411-R ■ LO 5411-S ■ LO 5411-T ■ LO 5411-RU 	orange	colorless clear	71 ... 450 112 ... 180 180 ... 280 280 ... 450 112 ... 710	40 (typ.) 20 (typ.) 30 (typ.) 50 (typ.) 60 (typ.)	Q62703-Q3928 Q62703-Q3929 Q62703-Q3930 Q62703-Q3931 Q62703-Q3932
<ul style="list-style-type: none"> ■ LY 5421-NR ■ LY 5421-Q ■ LY 5421-R ■ LY 5421-S ■ LY 5421-QT 	yellow	yellow clear	28 ... 180 71 ... 112 112 ... 180 180 ... 280 71 ... 450	20 (typ.) 20 (typ.) 30 (typ.) 50 (typ.) 60 (typ.)	Q62703-Q1444 Q62703-Q1446 Q62703-Q2005 Q62703-Q2632 Q62703-Q1447
<ul style="list-style-type: none"> ■ LG 5411-NR ■ LG 5411-Q ■ LG 5411-R ■ LG 5411-S ■ LG 5411-QT 	green	colorless clear	28 ... 180 71 ... 112 112 ... 180 180 ... 280 71 ... 450	20 (typ.) 20 (typ.) 30 (typ.) 50 (typ.) 60 (typ.)	Q62703-Q2023 Q62703-Q1739 Q62703-Q1451 Q62703-Q2321 Q62703-Q2024

■ Nicht für Neuentwicklungen/Not for new designs

Helligkeitswerte werden mit einer Stromeinprägedauer von 25 ms und einer Genauigkeit von $\pm 11 \%$ ermittelt.
Luminous intensity is tested at a current pulse duration of 25 ms and a tolerance of $\pm 11 \%$.

Anm.: Die Standardlieferform von Serientypen beinhaltet eine untere bzw. eine obere Familiengruppe oder mindestens zwei Einzelgruppen.

In einer Verpackungseinheit / Gurt ist immer nur eine Helligkeitsgruppe enthalten.

Die technologiebedingte Helligkeits-Streuung der heutigen LED-Herstellprozesse über einen längeren Fertigungszeitraum (Halbleitermaterial - Chipherstellung - Montageprozess) erlaubt keine Zusage einer einzelnen Helligkeitsgruppe. Daher müssen mindestens zwei Helligkeitsgruppen vorgesehen werden!

Note: The standard shipping format for serial types includes a lower or upper family group or at least two individual groups.

No packing unit / tape ever contains more than one luminous intensity group.

Luminosity variations caused by the technology used in current LED manufacturing processes over a protracted manufacturing period (semiconductor material - chip fabrication - assembly process) mean that it is not possible to assign LEDs to a single luminous intensity group. For this reason at least two luminous intensity groups must be provided!

Bezeichnung Parameter	Symbol Symbol	Wert Value	Einheit Unit
Betriebstemperatur Operating temperature range	T_{op}	- 55 ... + 100	°C
Lagertemperatur Storage temperature range	T_{stg}	- 55 ... + 100	°C
Sperrschichttemperatur Junction temperature	T_j	+ 100	°C
Durchlassstrom Forward current	I_F	40	mA
Stoßstrom Surge current $t \leq 10 \mu s, D = 0.005$	I_{FM}	0.5	A
Sperrspannung Reverse voltage	V_R	5	V
Leistungsaufnahme Power consumption $T_A \leq 25 \text{ °C}$	P_{tot}	130	mW
Wärmewiderstand ¹⁾ Thermal resistance Sperrschicht/Umgebung Junction/ambient Sperrschicht/Löt看pad Junction/solder point Montage auf PC-Board FR 4 (Padgröße $\geq 16 \text{ mm}^2$) mounted on PC board FR 4 (pad size $\geq 16 \text{ mm}^2$) Minimale Beinchenlänge Minimum lead length	$R_{th JA}$ $R_{th JS}$	400 180	K/W K/W

¹⁾ R_{th} erhöht sich um 13 K/W pro mm Beinchenlänge.
Each additional 1 mm of lead length increases R_{th} by 13 K/W.

Bezeichnung Parameter	Symbol Symbol	Werte Values				Einheit Unit
		LS	LO	LY	LG	
Wellenlänge des emittierten Lichtes (typ.) Wavelength at peak emission $I_F = 10 \text{ mA}$	λ_{peak}	635	610	586	572	nm
Dominantwellenlänge ¹⁾ (typ.) Dominant wavelength $I_F = 10 \text{ mA}$	λ_{dom}	628	606	587	570	nm
Spektrale Bandbreite bei 50 % $I_{\text{rel max}}$ (typ.) Spectral bandwidth at 50 % $I_{\text{rel max}}$ $I_F = 10 \text{ mA}$	$\Delta\lambda$	45	40	45	25	nm
Abstrahlwinkel bei 50 % I_V (Vollwinkel) (typ.) Viewing angle at 50 % I_V	2ϕ	20	20	20	20	Grad deg.
Durchlassspannung ²⁾ (typ.) Forward voltage (max.) $I_F = 10 \text{ mA}$	V_F V_F	2.0 2.5	2.0 2.5	2.0 2.5	2.0 2.5	V V
Sperrstrom (typ.) Reverse current (max.) $V_R = 5 \text{ V}$	I_R I_R	0.01 10	0.01 10	0.01 10	0.01 10	μA μA
Temperaturkoeffizient von λ_{peak} (typ.) Temperature coefficient of λ_{peak} $I_F = 10 \text{ mA}; -10^\circ\text{C} \leq T \leq 100^\circ\text{C}$	$TC_{\lambda_{\text{peak}}}$	0.11	0.12	0.10	0.11	nm/K
Temperaturkoeffizient von λ_{dom} (typ.) Temperature coefficient of λ_{dom} $I_F = 10 \text{ mA}; -10^\circ\text{C} \leq T \leq 100^\circ\text{C}$	$TC_{\lambda_{\text{dom}}}$	0.07	0.07	0.07	0.07	nm/K
Temperaturkoeffizient von V_F (typ.) Temperature coefficient of V_F $I_F = 10 \text{ mA}; -10^\circ\text{C} \leq T \leq 100^\circ\text{C}$	TC_V	-1.9	-1.9	-1.9	-1.4	mV/K
Optischer Wirkungsgrad (typ.) Optical efficiency $I_F = 10 \text{ mA}$	η_{opt}	1.5	1.5	1.5	2.5	lm/W

¹⁾ Wellenlängen werden mit einer Stromeinprägungsdauer von 25 ms und einer Genauigkeit von $\pm 1 \text{ nm}$ ermittelt.
Wavelengths are tested at a current pulse duration of 25 ms and a tolerance of $\pm 1 \text{ nm}$.

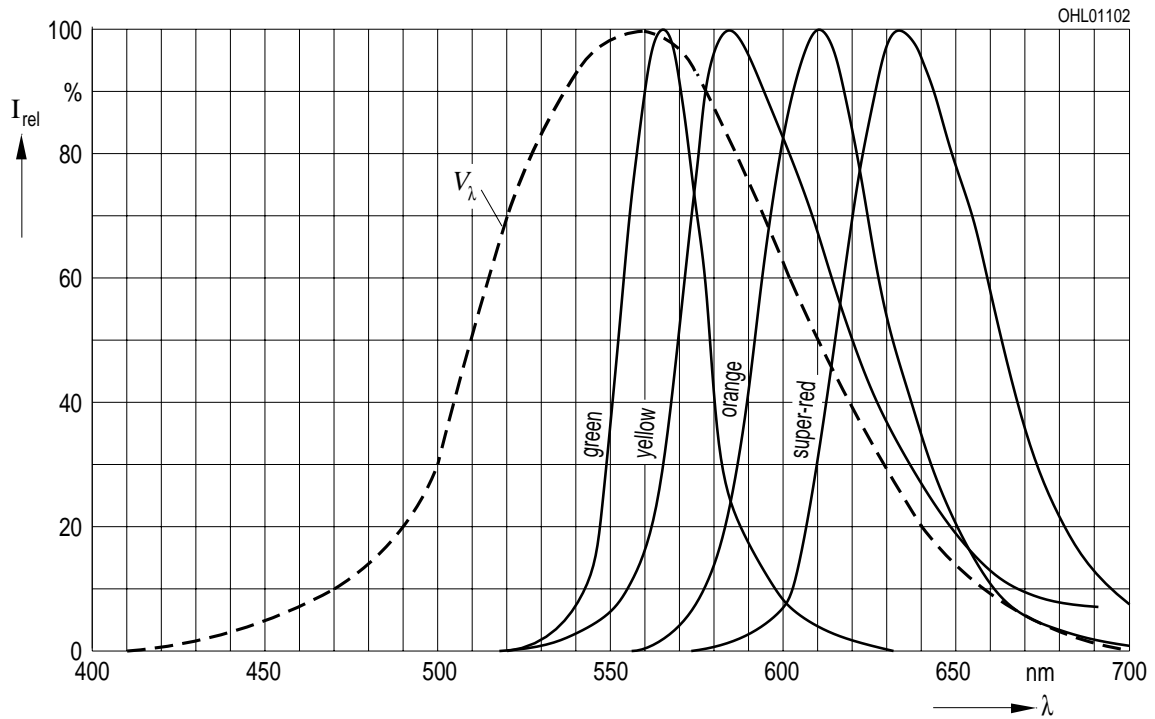
²⁾ Spannungswerte werden mit einer Stromeinprägungsdauer von 1 ms und einer Genauigkeit von $\pm 0,1 \text{ V}$ ermittelt.
Voltages are tested at a current pulse duration of 1 ms and a tolerance of $\pm 0.1 \text{ V}$.

Relative spektrale Emission $I_{rel} = f(\lambda)$, $T_A = 25\text{ °C}$, $I_F = 10\text{ mA}$

Relative Spectral Emission

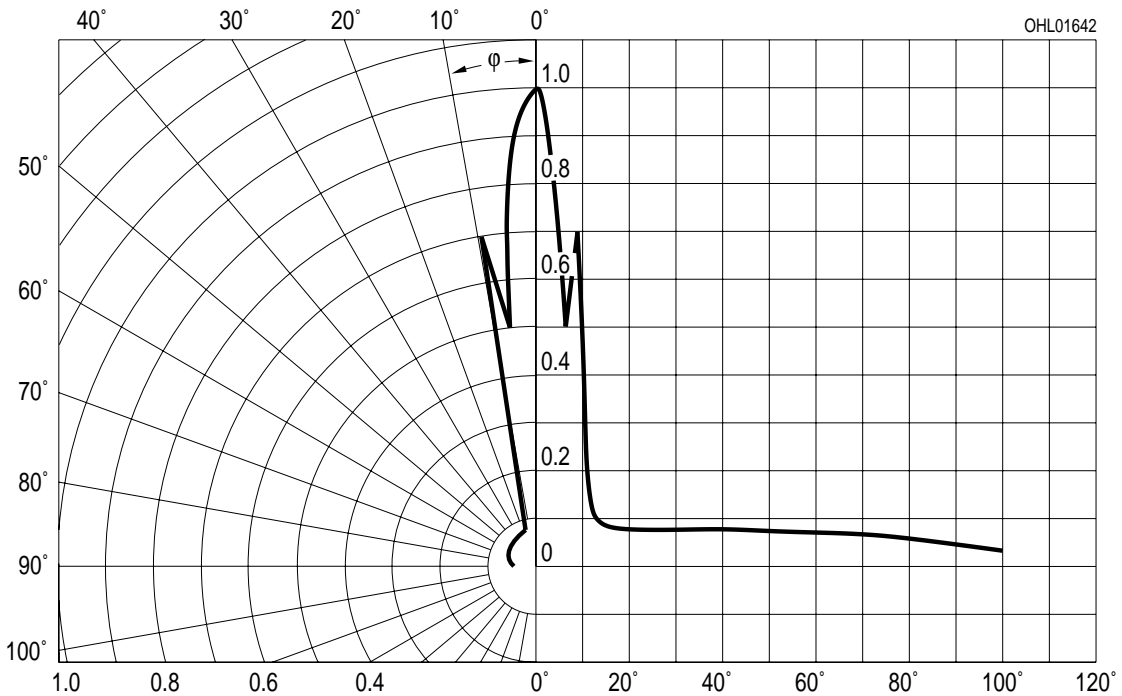
$V(\lambda)$ = spektrale Augenempfindlichkeit

Standard eye response curve



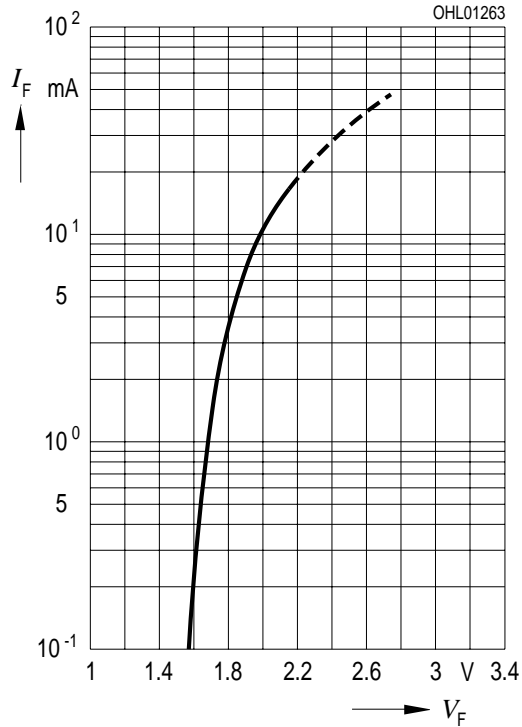
Abstrahlcharakteristik $I_{rel} = f(\varphi)$

Radiation Characteristic



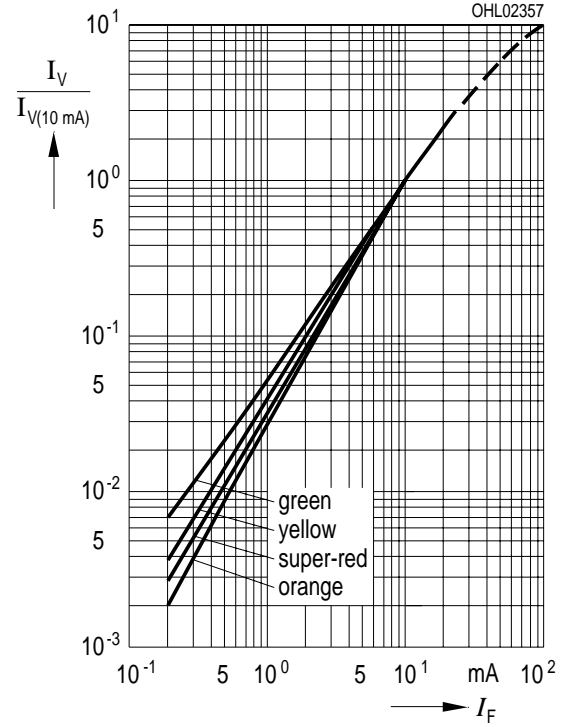
Durchlassstrom $I_F = f(V_F)$
Forward Current

$T_A = 25\text{ °C}$

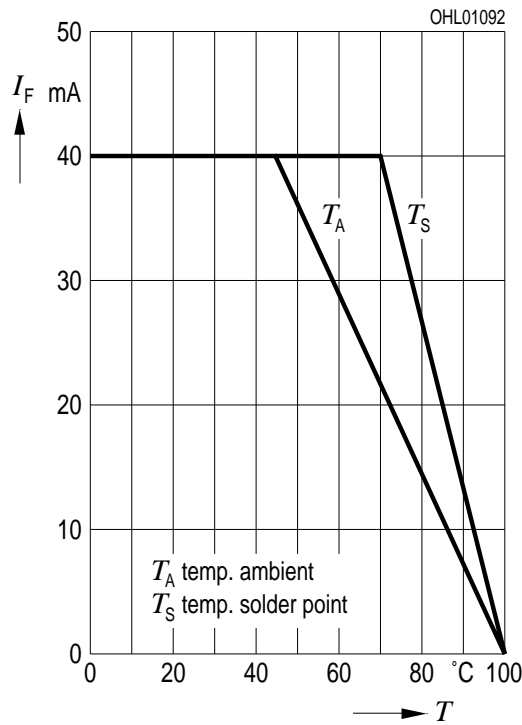


Relative Lichtstärke $I_V/I_{V(10\text{ mA})} = f(I_F)$
Relative Luminous Intensity

$T_A = 25\text{ °C}$

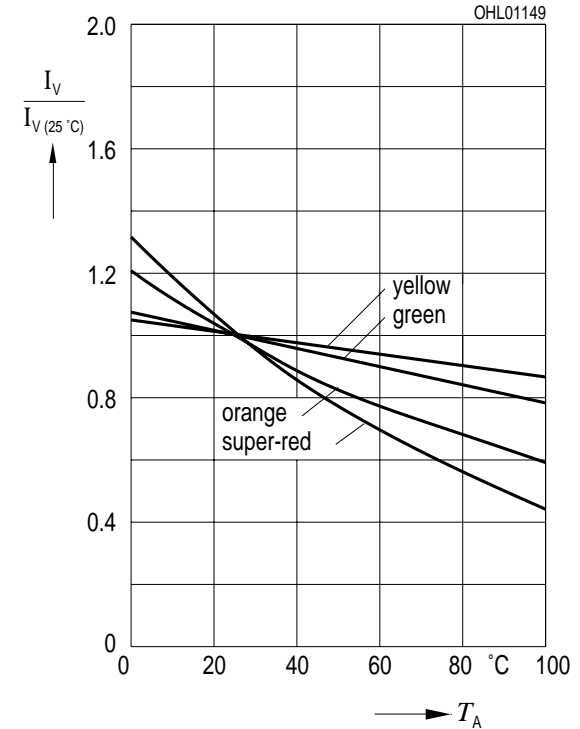


Maximal zulässiger Durchlassstrom $I_F = f(T)$
Max. Permissible Forward Current



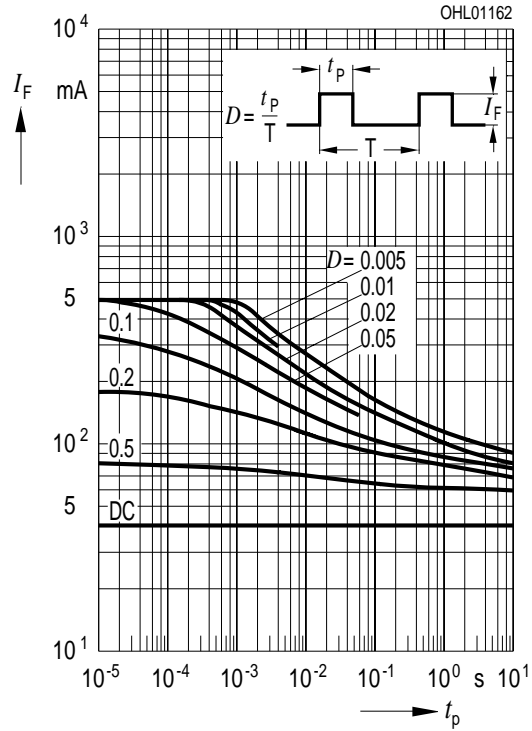
Relative Lichtstärke $I_V / I_{V(25\text{ °C})} = f(T_A)$
Relative Luminous Intensity

$I_F = 10\text{ mA}$

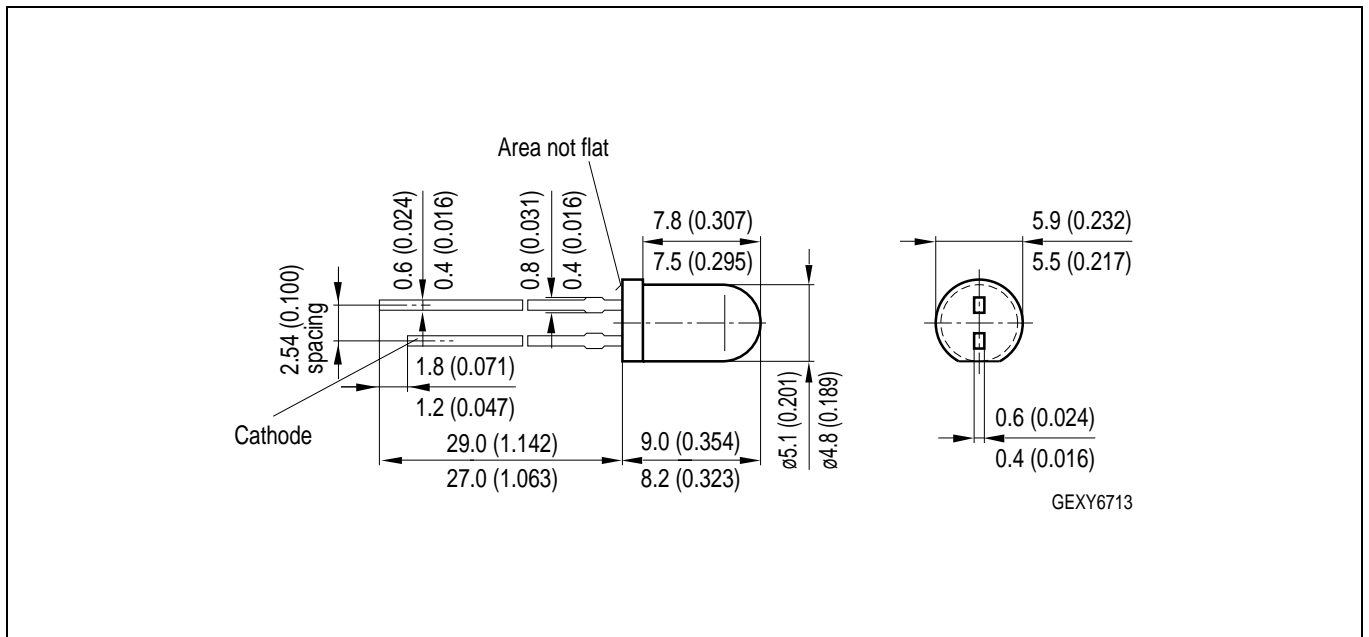


Zulässige Impulsbelastbarkeit $I_F = f(t_p)$
Permissible Pulse Handling Capability

Duty cycle $D =$ parameter, $T_A = 25\text{ °C}$



Maßzeichnung
Package Outlines

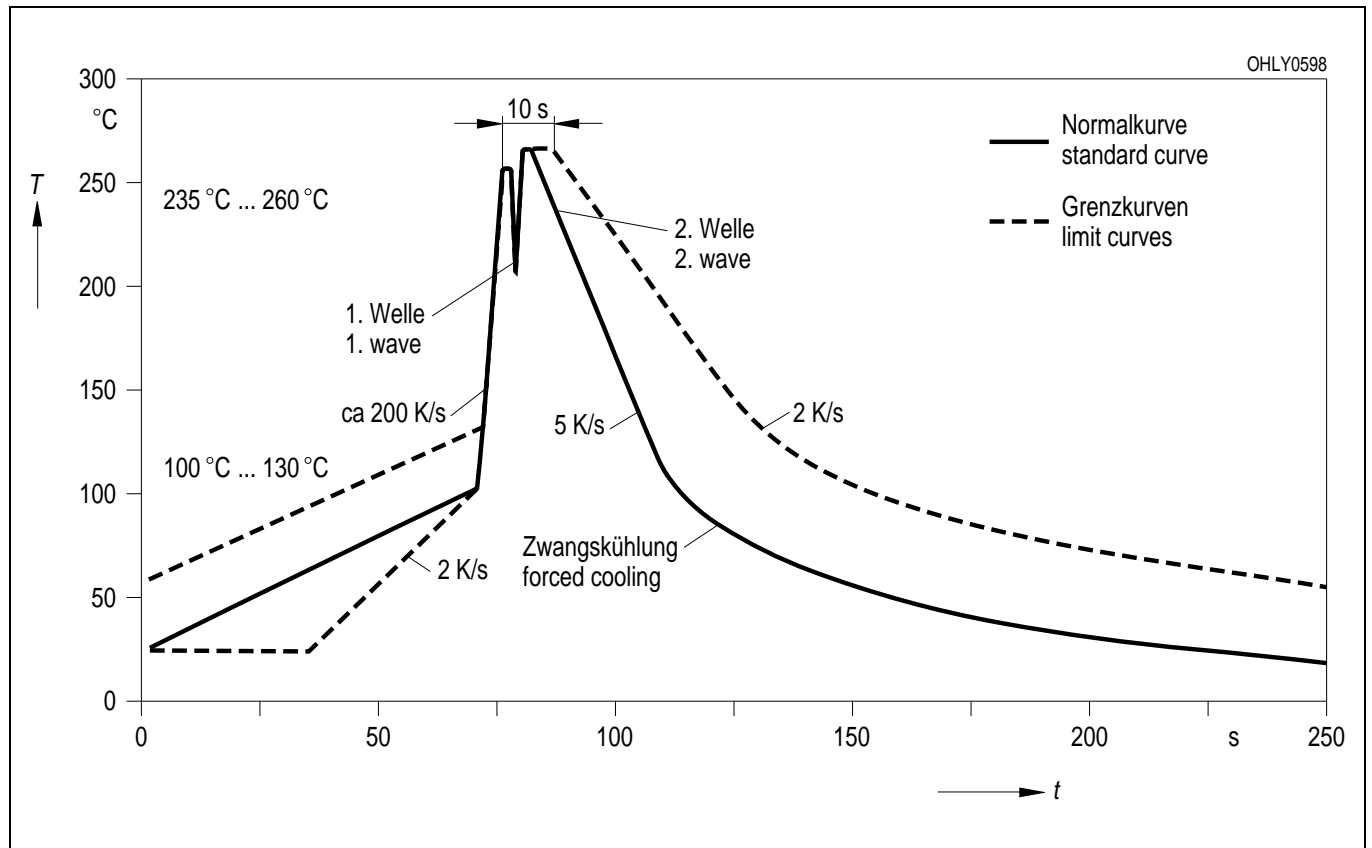


Maße werden wie folgt angegeben: mm (inch) / Dimensions are specified as follows: mm (inch).

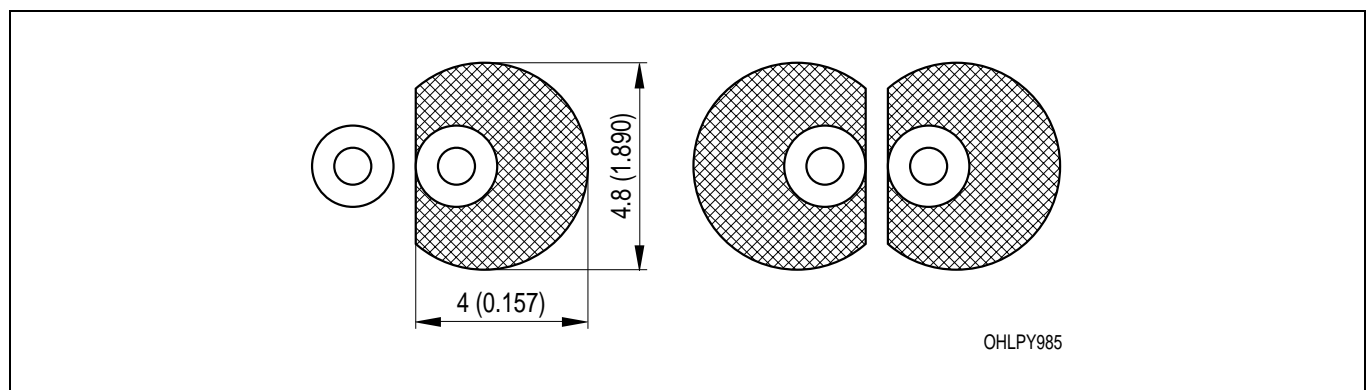
Kathodenkennung: kürzerer Lötspieß
Cathode mark: short solder lead
Gewicht / Approx. weight: 0.35 g

Lötbedingungen
Soldering Conditions

Wellenlöten (TTW) (nach CECC 00802)
TTW Soldering (acc. to CECC 00802)



Empfohlenes Lötpad design Wellenlöten (TTW)
Recommended Solder Pad TTW Soldering



Maße werden wie folgt angegeben: mm (inch) / Dimensions are specified as follows: mm (inch).

Revision History: 2002-04-03

Previous Version: 2001-03-13

Page	Subjects (major changes since last revision)
3	thermal resistance (footnote)
4	dominant wavelength (orange)

Published by OSRAM Opto Semiconductors GmbH & Co. OHG

Wernerwerkstrasse 2, D-93049 Regensburg

© All Rights Reserved.

Attention please!

The information describes the type of component and shall not be considered as assured characteristics. Terms of delivery and rights to change design reserved. Due to technical requirements components may contain dangerous substances. For information on the types in question please contact our Sales Organization. If printed or downloaded, please find the latest version in the Internet.

Packing

Please use the recycling operators known to you. We can also help you – get in touch with your nearest sales office. By agreement we will take packing material back, if it is sorted. You must bear the costs of transport. For packing material that is returned to us unsorted or which we are not obliged to accept, we shall have to invoice you for any costs incurred.

Components used in life-support devices or systems must be expressly authorized for such purpose! Critical components ¹ may only be used in life-support devices or systems ² with the express written approval of OSRAM OS.

¹ A critical component is a component used in a life-support device or system whose failure can reasonably be expected to cause the failure of that life-support device or system, or to affect its safety or the effectiveness of that device or system.

² Life support devices or systems are intended (a) to be implanted in the human body, or (b) to support and/or maintain and sustain human life. If they fail, it is reasonable to assume that the health of the user may be endangered.