

## LGA C Series

### 15-100 Watts

Total Power: 15-100 Watts  
No. of Outputs: Single

### Special Features

- 3,6,10 and 20 A output current rating
- Wide input voltage range; up to 13.8 V
- Adjustable output voltage; 0.59-5.1 V
- Excellent transient response
- High efficiency
- Output margining
- Power enable
- Minimal airflow requirement
- Termination voltage capability
- Ultra compact profile and footprint
- RoHS compliant
- Remote sense

### Safety

Designed to meet EN60950

International Standards for Solderability: J-STD-002B  
IEC-60068-2-58



## Electrical Specifications

Output		3/6/10 A Models	20 A Model
Output voltage	See Page 3	0.59-5.1 V	
Output setpoint accuracy	0.1% trim resistors	±1.0%	
Load regulation		±0.5%	
Max Current Max Power		15/30/50 W	100 W
Overshoot	At turn-on	0%	
Undershoot	At turn-off	0 mV	
Ripple and noise 5 Hz to 20 MHz	See Note 1 $V_{in} = 5\text{ V}, V_{out} = 2.5\text{ V}$	20/25/30 mV	30 mV
Transient response	See Notes 1 and 2 $V_{in} = 5\text{ V}, V_{out} = 2.5\text{ V}$	100/160/160 mV 15 $\mu\text{s}$ recovery to within regulation band	175 mV 15 $\mu\text{s}$ recovery to within regulation band
Input			
Input voltage range		3-13.8 Vdc	4.5-13.8 Vdc
Input current	Enable On at (0 A) Enable Off	50 mA 5 mA	
Start-up time	Power up Enable On/Off	3 ms 2 ms	
General			
Efficiency	$V_{in}=5\text{ V}, V_{out}=2.5\text{ V}, I_{out} = 50\% I_{max}$	92% Typ.	
Switching frequency		1 MHz	800 kHz
Material flammability		UL94V-0	
MTBF	12 V @ 40 °C 100% load Bellcore 332	> 20,000,000 hours	
Coplanarity		150 $\mu\text{m}$	

## Electrical Specifications (cont'd)

Thermal performance See Technical Reference Note	Operating ambient Non-operating ambient	-40 °C to +85 °C -40 °C to +125 °C
-----------------------------------------------------	--------------------------------------------	---------------------------------------

### Protection

Short circuit	Hiccup, non-latching
Overvoltage	Hiccup, non-latching

Minimum Recommended System Capacitance	3/6/10 A Model	20 A Model
Input capacitance	1 µF	10 µF
Output capacitance	10 µF	50 µF

### Operating Information

Output Power (Max.)	Input Voltage	Output Voltage	Output Current (Min.)	Output Current (Max.)	Efficiency (Typical)	Regulation Load	Standard Model Numbers
15 W	3-13.8 Vdc	0.59-5.1 Vdc	0 A	3 A	92%	±0.5%	LGA03C-00SADJJ
30 W	3-13.8 Vdc	0.59-5.1 Vdc	0 A	6 A	92%	±0.5%	LGA06C-00SADJJ
50 W	3-13.8 Vdc	0.59-5.1 Vdc	0 A	10 A	92%	±0.5%	LGA10C-00SADJJ
100 W	4.5-13.8 Vdc	0.59-5.1 Vdc	0 A	20 A	91%	±0.5%	LGA20C-01SADJJ
NA	NA	NA	NA	NA	NA	NA	LGA-HTSK-KIT-XXX

## Model Number System with Options



Product Family	Rated Output Current	Performance	Input Voltage	Type of Output	Options	RoHS Compliance
<b>LGA</b>	<b>XX</b>	<b>C</b>	<b>- 00</b>	<b>SADJ</b>	<b>X</b>	<b>J</b>
	<b>Rated Output Current</b> 03 = 3 Amp 06 = 6 Amp 10 = 10 Amp 20 = 20 Amp	<b>Performance</b> C = Cost Optimized	<b>Input Voltage</b> 00 = 3-13.8 V 01 = 4.5-13.8 V	<b>Type of Output</b> Single Adjustable Output	<b>Options</b> X = Various Options (see Sales Rep)	<b>RoHS Compliance</b> J = Pb free (RoHS 6/6 compliant)

## Heatsink Number System with Options



Product Family	Product	Packaging	Height*
<b>LGA</b>	<b>- HTSK</b>	<b>- KIT</b>	<b>- XXX</b>
	<b>Product</b> HTSK = Heatsink	<b>Packaging</b> KIT = Heatsink and Adhesive	<b>LGA20 + Heatsink</b> 045 = 0.45" 048 = 0.48" 050 = 0.50"

\*Height is the total height of the LGA20C-00SADJJ with heatsink attached.

## Application Equations

### Setting Output Voltage

Default output voltage: 0.591 V

The output voltage may be adjusted with a resistor placed between the "Trim" and "-Sense" pin.

The formula for calculating the value of this resistor is:

$$R_{\text{trim}}(\text{k}\Omega) = \frac{1.182}{V_{\text{out}} - 0.591}$$

See Technical Reference Note for other trimming methods.

### Setting Under Voltage Lock Out - 3, 6, 10 A Models

Default Turn-on voltage: 2.9 V (300 mV Hysteresis)

The Turn-on voltage may be adjusted with a resistor placed between the "Enable" and "Ground" pins.

The formula for calculating the value of this resistor is:

$$R_{\text{UVlo}}(\text{k}\Omega) = \frac{14.81 * 6.81}{(6.81 * V_{\text{Turn\_on}}) - 18.16}$$

**\* ONLY USE WITH OPEN COLLECTOR DEVICE**  
**\* DO NOT DRIVE PIN WITH A VOLTAGE**

### Setting Under Voltage Lock Out - 15 and 20 A Models

Default Turn-on voltage: 4.3 V (300 mV Hysteresis)

The Turn-on voltage may be adjusted with a resistor placed between the "Enable" and "Ground" pins.

The formula for calculating the value of this resistor is:

$$R_{\text{UVlo}}(\text{k}\Omega) = \frac{30.1 * 4.22}{(8.577 * V_{\text{Turn\_on}}) - 34.32}$$

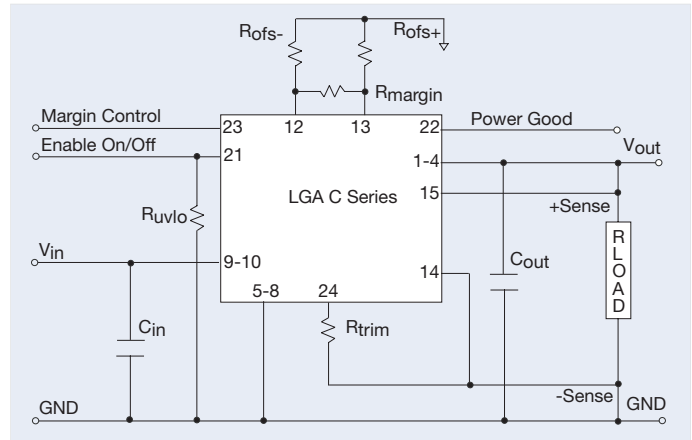
**\* ONLY USE WITH OPEN COLLECTOR DEVICE**  
**\* DO NOT DRIVE PIN WITH A VOLTAGE**

### Setting Margin Control

To margin the output up, pull the margin control pin high. To margin down, pull the margin control pin low. If the pin is left floating, the feature is disabled. The maximum margining range is  $\pm 200\text{mV}$  at the default voltage setting. The equations for margining up and down are as follows:

$$V_{\text{margin\_up}} = 0.1182 * \frac{R_{\text{margin}}}{R_{\text{ofs+}}} * \frac{R_{\text{trim}} + 2\text{k}}{R_{\text{trim}}}$$

$$V_{\text{margin\_down}} = 0.1182 * \frac{R_{\text{margin}}}{R_{\text{ofs-}}} * \frac{R_{\text{trim}} + 2\text{k}}{R_{\text{trim}}}$$

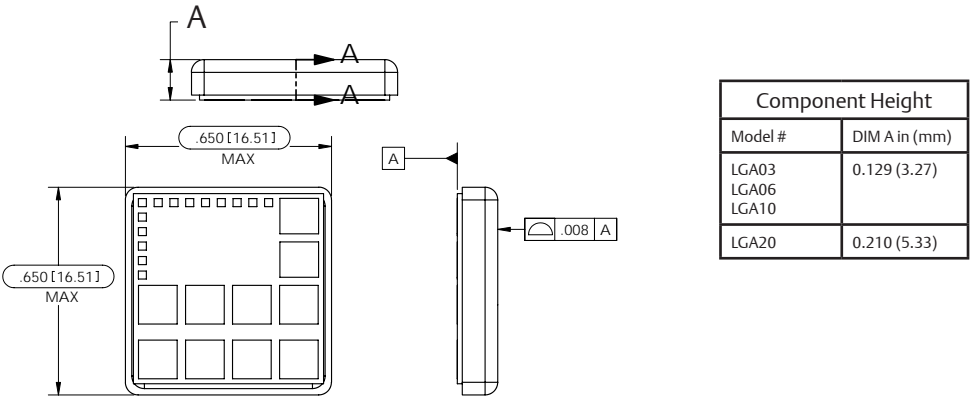


External input fusing is recommended.

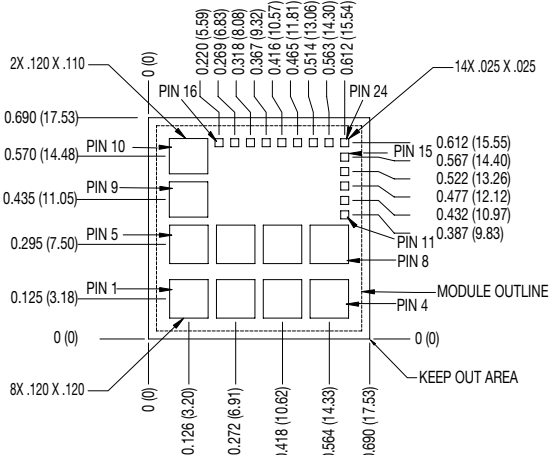
#### Notes:

1. Measured as per recommended minimum system capacitance.
2.  $di/dt = 10 \text{ A}/\mu\text{s}$ ,  $V_{\text{in}} = \text{Norm}$ ,  $T_c = 25^\circ\text{C}$ , load change = 50% to 100%  $I_{\text{max}}$ .

**Mechanical Drawing and Footprint**



**Recommended System Board Footprint**

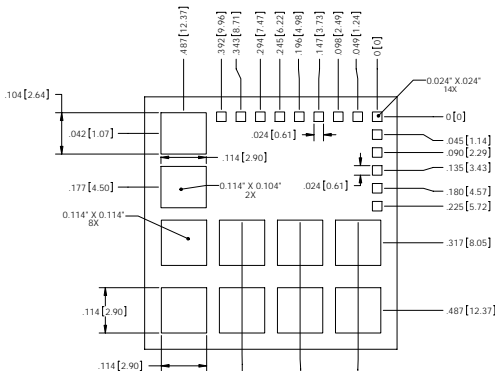


**Pin Assignments**

Single Output

1	Vout
2	Vout
3	Vout
4	Vout
5	GND
6	GND
7	GND
8	GND
9	Vin
10	Vin
11	NC
12	- Offset
13	+ Offset
14	- Sense
15	+ Sense
16	NC
17	NC
18	NC
19	NC
20	NC
21	Enable
22	Power Good
23	Margin Control
24	Trim

**Recommended Solder Paste Stencil**



Tolerance Note: ±0.010 (0.25)

\*This is a Preliminary Datasheet. Emerson Network Power reserves the right to make changes to the information contained herein without notice and assumes no liability as a result of its use or application.

**Americas**

5810 Van Allen Way  
Carlsbad, CA 92008  
USA  
Telephone: +1 760 930 4600  
Facsimile: +1 760 930 0698

**Europe (UK)**

Waterfront Business Park  
Merry Hill, Dudley  
West Midlands, DY5 1LX  
United Kingdom  
Telephone: +44 (0) 1384 842 211  
Facsimile: +44 (0) 1384 843 355

**Asia (HK)**

16th - 17th Floors, Lu Plaza  
2 Wing Yip Street, Kwun Tong  
Kowloon, Hong Kong  
Telephone: +852 2176 3333  
Facsimile: +852 2176 3888

For global contact, visit:

[www.PowerConversion.com](http://www.PowerConversion.com)  
[techsupport.embeddedpower@emerson.com](mailto:techsupport.embeddedpower@emerson.com)

While every precaution has been taken to ensure accuracy and completeness in this literature, Emerson Network Power assumes no responsibility, and disclaims all liability for damages resulting from use of this information or for any errors or omissions.

**Emerson Network Power.**  
The global leader in enabling  
business-critical continuity.

- AC Power
- Connectivity
- DC Power
- Embedded Computing
- Embedded Power
- Monitoring
- Outside Plant
- Power Switching & Controls
- Precision Cooling
- Racks & Integrated Cabinets
- Services
- Surge Protection

**EmersonNetworkPower.com**

Emerson Network Power and the Emerson Network Power logo are trademarks and service marks of Emerson Electric Co.  
©2009 Emerson Electric Co.