

## 10/100BASE-T DUAL TRANSFORMER MODULES

- ◆ Compliant with IEEE802.3 and ANSI X3.263 standards  
Including 350uH OCL with 8mA Bias.
- ◆ Dual Channel Interface For 10/100 Mbps Ethernet Applications
- ◆ Comply With ROHS

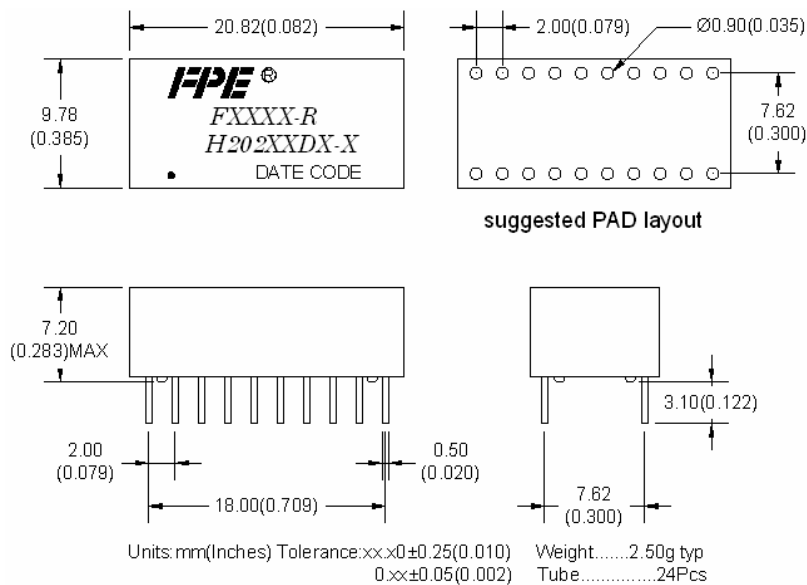


### ELECTRICAL SPECIFICATIONS@25°C (Operating Temperature :0°C to 70°C)

| Part Number | Turns Ratio<br>±5% | Insertion Loss(dB max) | Return Loss (dB min) |           |           | CMRR (dB min) |           |            | Cross Talk (dB min) |           |            | Hipot (vrms) |
|-------------|--------------------|------------------------|----------------------|-----------|-----------|---------------|-----------|------------|---------------------|-----------|------------|--------------|
|             |                    | 1-100MHz               | 1-30 MHz             | 30-60 MHz | 60-80 MHz | 1-30 MHz      | 30-60 MHz | 60-100 MHz | 1-30 MHz            | 30-60 MHz | 60-100 MHz |              |
| F0035-R     | 1:1                | -1.0                   | -18                  | -14       | -12       | -40           | -35       | -30        | -45                 | -35       | -30        | 1500         |
| F0042-R     | 1:1                | -1.0                   | -18                  | -14       | -12       | -40           | -35       | -30        | -45                 | -35       | -30        | 1500         |
| H20202DL-R  | 1:1                | -1.0                   | -18                  | -14       | -12       | -40           | -35       | -30        | -45                 | -35       | -30        | 1500         |
| H20205DK-R  | 1:1                | -1.0                   | -18                  | -14       | -12       | -40           | -35       | -30        | -45                 | -35       | -30        | 1500         |
| H20211DL-R  | 1:1                | -1.0                   | -18                  | -14       | -12       | -40           | -35       | -30        | -45                 | -35       | -30        | 1500         |
| H20220DL-R  | 1:1                | -1.0                   | -18                  | -14       | -12       | -40           | -35       | -30        | -45                 | -35       | -30        | 1500         |
| LH20235DF   | 1:1                | -1.0                   | -18                  | -14       | -12       | -40           | -35       | -30        | -45                 | -35       | -30        | 1500         |

### MECHANICAL

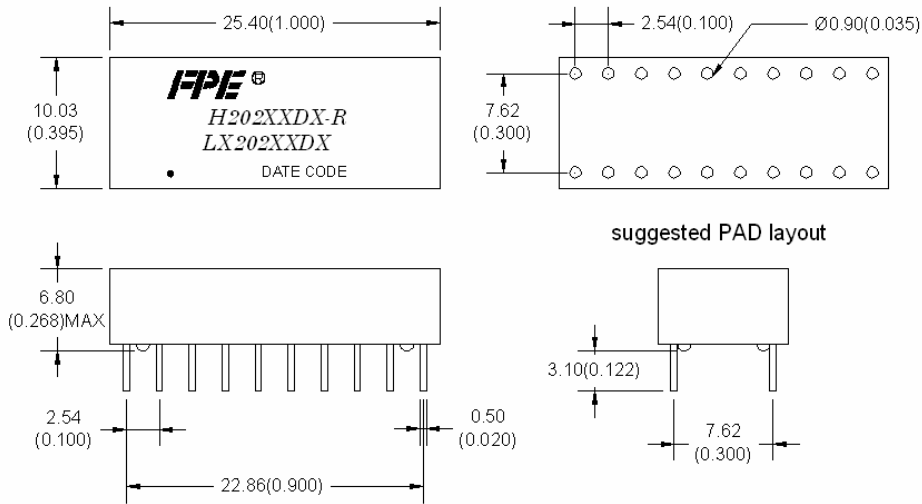
#### F0035-R, F0042-R, H20205DK-R



# 10/100BASE-T DUAL TRANSFORMER MODULES

## MECHANICAL(Continued)

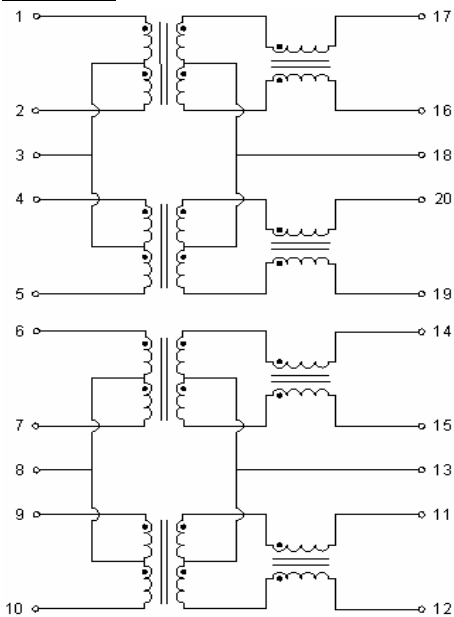
### H20202DL-R, H20211DL-R, H20220DL-R, LH20235DF



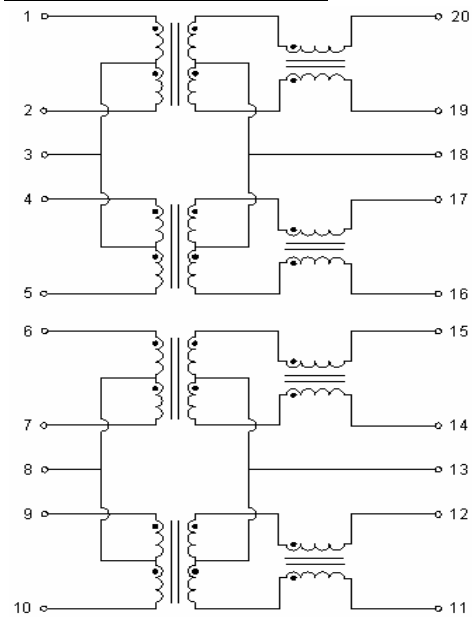
Units:mm(Inches) Tolerance:xx.x0±0.25(0.010) Weight:.....2.80g typ  
 0.xx±0.05(0.002) Tube:.....20Pcs

## SCHEMATICS

### F0035-R

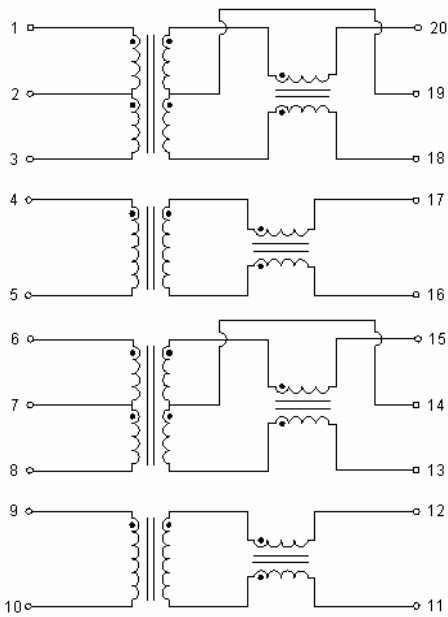
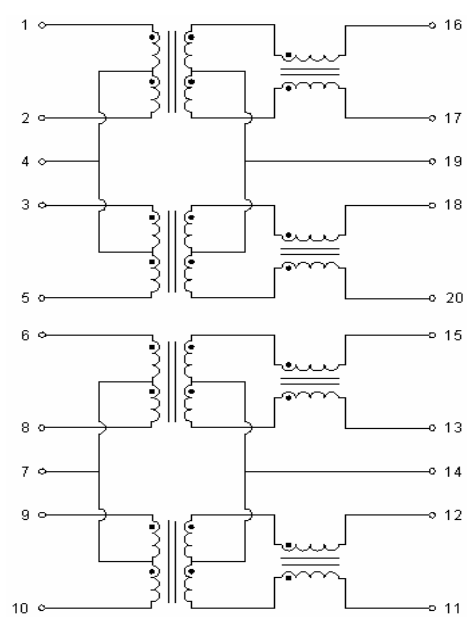
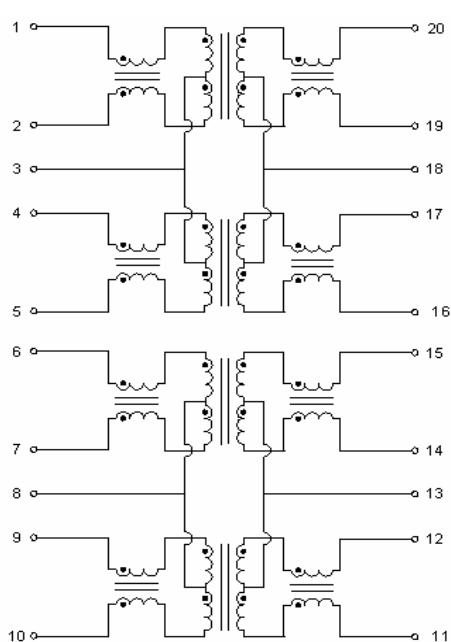
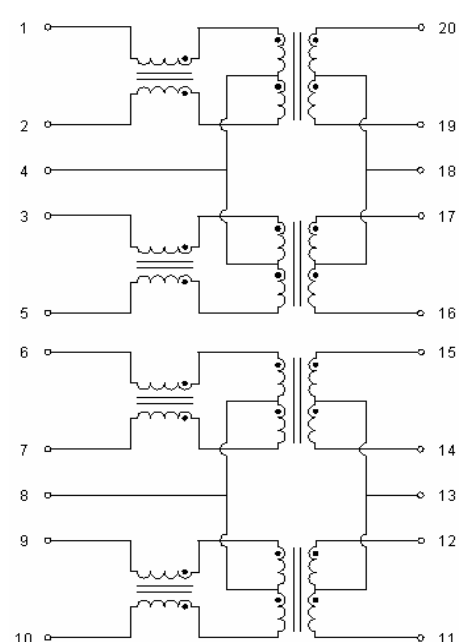


### F0042-R, H20202DL-R



## 10/100BASE-T DUAL TRANSFORMER MODULES

### SCHEMATICS(Continued)

**H20205DK-R**

**H20211DL-R**

**H20220DL-R**

**LH20235DF**


TaiWan Kinji Technology Limited

TEL:+886-3-3310896

FAX:+886-3-3310865

DongGuan Meixin Technology Co.,Ltd

TEL:+86-769-86761589

FAX:+ 86-769-86761549

ShangHai Qinshen Technology Co.,Ltd

TEL:+86-798-2620089

FAX:+ 86-798-2620186