

Specification

For

LCD Module

LH2040-1

LH2040-1 Character Dot Matrix LCD Module

■FEATURES

- Display Mode: TN, Positive (STN also available)
- Display Formate: 20 Characters x 4 Lines
- Input Data: 4-Bits or 8-Bits interface available
- Display Font : 5 x 8 Dots`
- Power Supply : Single Power Supply (5V ± 5%)
- Driving Scheme : 1/16Duty,1/5Bias

■ABSOLUTE MAXIMUM

Item	Symbol	Min.	Max.	Unit
Power Supply for Logic	Vdd-Vss	0	+7.0	V
Power supply for LCD Drive	Vdd-Vo	0	13.5	V
Input Voltage	Vi	Vss	Vdd	V
Operating Temperature	Ta	-10	+60	
Storage Temperature	Tstg	-20	+70	

■ELECTRICAL CHARACTERISTICS

(Ta=25 ;Vdd=5.0V ± 5%,otherwise specified)

Item	Symbol	Test Condition	Min.	Typ.	Max.	Unit
Power Supply for Logic	Vdd	--	4.5	5.0	5.5	V
Input "high" voltage	Vih	--	2.2	--	Vdd	V
Input "low" voltage	Vil	--	-0.3	--	0.6	V
Output "high" voltage	Voh	-Ioh=0.2mA	2.4	--	--	V
Output "low" voltage	Vol	Iol=1.2mA	--	--	0.4	V
Power supply current	Idd	Vdd=5.0v	--	1.0	3.0	mA

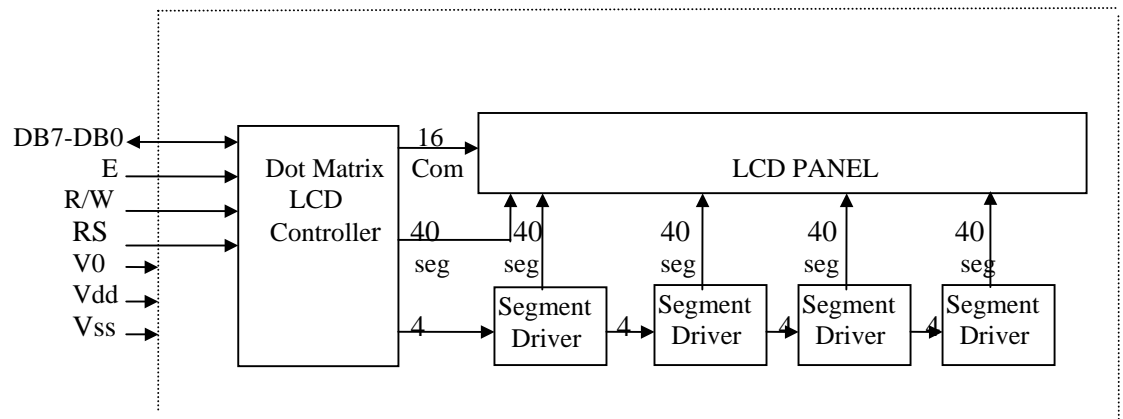
■MECHANICAL PARAMETERS

Item	Description	Unit
Frame Dimension	98.0 x 60.0 x 11.0	mm
View Dimension	76.0 x 25.2	mm

■PIN ASSIGNMENT

No.	Symbol	Level	Function	
1	Vss	--	0V	Power Supply
2	Vdd	--	+5V	
3	V0	--	for LCD	
4	RS	H/L	Register Select	H:Data Input L:Instruction Input
5	R/W	H/L	H--Read	L--Write
6	E	H,H-L	Enable Signal	
7	DB0	H/L	Data bus used in 8 bit transfer	
8	DB1	H/L		
9	DB2	H/L		
10	DB3	H/L		
11	DB4	H/L	Data bus for both 4 and 8 bit transfer	
12	DB5	H/L		
13	DB6	H/L		
14	DB7	H/L		
15	A		+5V	
16	K		GND	

■SYSTEM BLOCK DIAGRAM

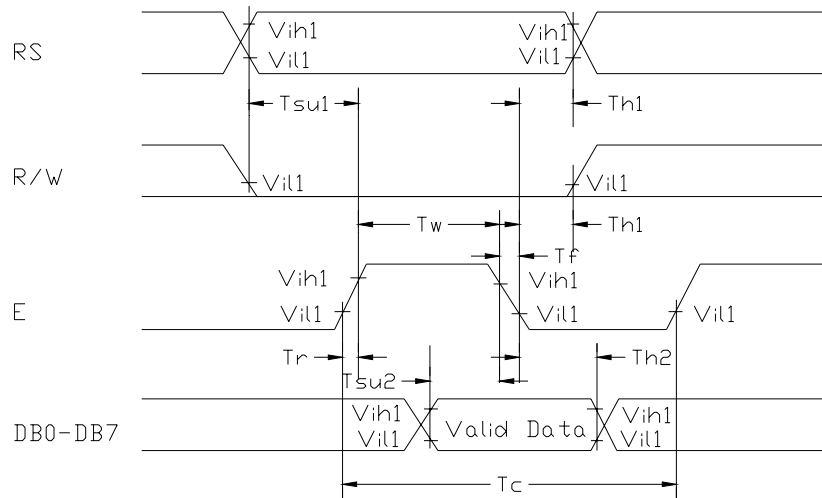


■ AC characteristics (V_{dd}=5V ± 10%, V_{ss}=0V Ta=25)

Write mode(writing data from Micom to KS0066)

Characteristic	Symbol	Min.	Typ.	Max.	Unit	Test pin
E cycle time	T _c	500	--	--	ns	E
E rise time	T _r	--	--	25	ns	E
E fall time	T _f	--	--	25	ns	E
E pulse width (High,Low)	T _w	220	--	--	ns	E
R/W and RS set-up time	T _{su1}	40	--	--	ns	R/W,RS
R/W and RS hold time	T _{h1}	10	--	--	ns	R/W,RS
Data set-up time	T _{su2}	60	--	--	ns	DB0~DB7
Data hold time	T _{h2}	10	--	--	ns	DB0~DB7

■ Timing Chart



■CONTROL and DISPLAY COMMAND

Command	RS	R/W	DB7	DB6	DB5	DB4	DB3	DB2	DB1	DB0	Remark
Display Clear	L	L	L	L	L	L	L	L	L	H	
Return Home	L	L	L	L	L	L	L	L	H	X	cursor move to first digit
Entry Mode Set	L	L	L	L	L	L	L	H	I/D	SH	I/D:set cursor move direction H-Increase L-Decrease SH:Specifies shift of display H-display is shifted L-Display is not shifted
Display On/Off	L	L	L	L	L	L	H	D	C	B	D:Display(H-on,L-off) C:Cursor(H-on,L-off) B:Blinking(H-on,L-off)
Shift	L	L	L	L	L	H	S/C	R/L	X	X	SC:(H-Display shift,L-Cursor move) R/L:(H-Right shift,L-Left shift)
Set Function	L	L	L	L	H	DL	N	F	X	X	DL:(H-8 bits interface,L-4 bits interface) N:(H-2 line display,L-1 line display) F:(H-5 x 10 dots,L-5 x 7 dots)
Set CG RAM Address	L	L	L	H	CG RAM address (corresponds to address)					CG RAM Data is sent and received after this setting	
Set DD RAM Address	L	L	H	DD RAM address					DD RAM Data is sent and received after this setting		
Read Busy Flag & Address	L	H	BF	Address Counter used for Both DD & CG RAM address					BF:(H-Busy ,L-Ready) --Reads BF indication internal operating is being performed --reads address counter contents		
Write Data	H	L	Write Data					Write data into DD or CG RAM			
Read Data	H	H	Read Data					Read data from DD or CGRAM			

ASSEMBLY DIAGRAM

