

LH28F008SA

8M (1M × 8) Flash Memory

FEATURES

- Very High-Performance Read
 - 85 ns Maximum Access Time
- High-Density Symmetrically Blocked Architecture
 - Sixteen 64K Blocks
- Extended Cycling Capability
 - 100,000 Block Erase Cycles
 - 1.6 Million Block Erase Cycles per Chip
- Automated Byte Write and Block Erase
 - Command User Interface
 - Status Register
- System Performance Enhancements
 - $\overline{\text{RY}}/\overline{\text{BY}}$ Status Output
 - Erase Suspend Capability
- Deep-Powerdown Mode
 - 0.20 μA I_{CC} Typical
- SRAM-Compatible Write Interface
- Hardware Data Protection Feature
 - Erase/Write Lockout during Power Transitions
- Independent Software Vendor Support
 - Microsoft Flash File System™ (FFS)
- ETOX™ Nonvolatile Flash Technology
 - 12 V Byte Write/Block Erase
- Industry Standard Packaging
 - 40-Pin 1.2 mm × 10 mm × 20 mm TSOP (Type I) Package
 - 44-Pin 600-mil SOP Package

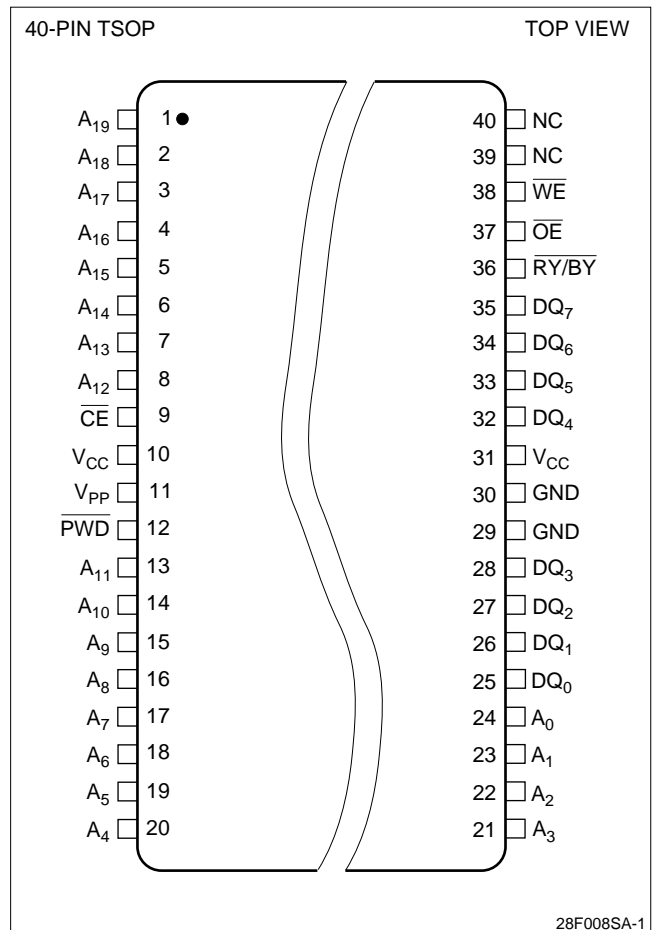


Figure 1. 40-Pin TSOP Configuration

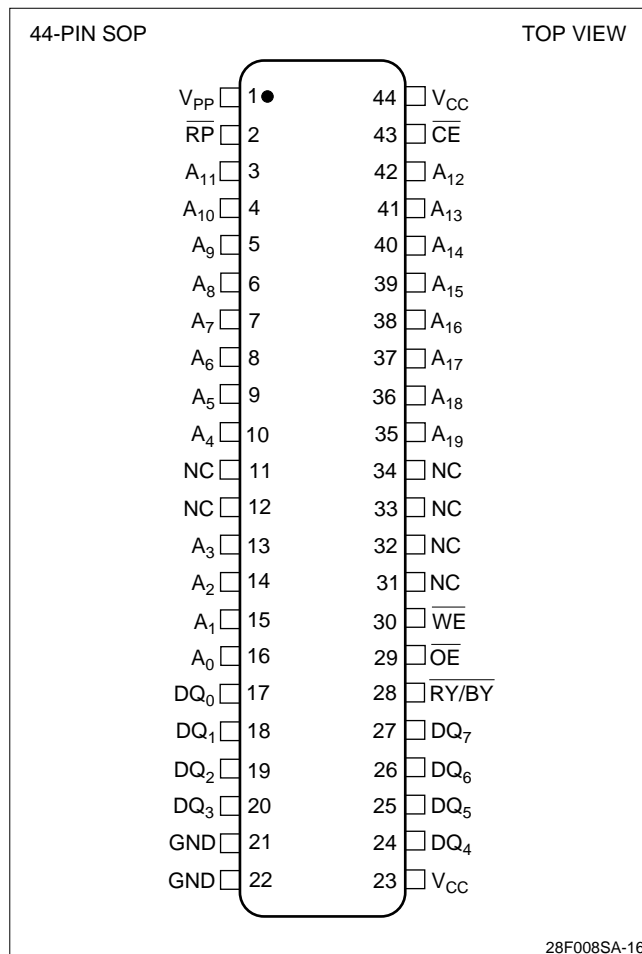


Figure 2. 44-Pin SOP Configuration

INTRODUCTION

SHARP'S LH28F008SA 8M Flash File™ Memory is the highest density nonvolatile read/write solution for solid state storage. The LH28F008SA's extended cycling, symmetrically blocked architecture, fast access time, write automation and low power consumption provide a more reliable, lower power, lighter weight and higher performance alternative to traditional rotating disk technology. The LH28F008SA brings new capabilities to portable computing. Application and operating system software stored in resident flash memory arrays provide instant-on rapid execute-in-place and protection from obsolescence through in-system software updates. Resident software also extends system battery life and increases reliability by reducing disk drive accesses.

For high density data acquisition applications, the LH28F008SA offers a more cost-effective and reliable alternative to SRAM and battery. Traditional high density embedded applications, such as telecommunications, can take advantage of the LH28F008SA's nonvolatility, blocking and minimal system code requirements for flexible firmware and modular software designs.

The LH28F008SA is offered in 40-pin TSOP (standard) package. Pin assignments simplify board layout when integrating multiple devices in a flash memory array or subsystem. This device uses an integrated Command User Interface and state machine for simplified block erasure and byte write. The LH28F008SA memory map consists of 16 separately erasable 64K blocks.

SHARP's LH28F008SA employs advanced CMOS circuitry for systems requiring low power consumption and noise immunity. Its 85 ns access time provides superior performance when compared with magnetic storage media. A deep powerdown mode lowers power consumption to 1 μ W typical through V_{CC} , crucial in portable computing, handheld instrumentation and other low-power applications. The \overline{PWD} power control input also provides absolute data protection during system power up/down.

DESCRIPTION

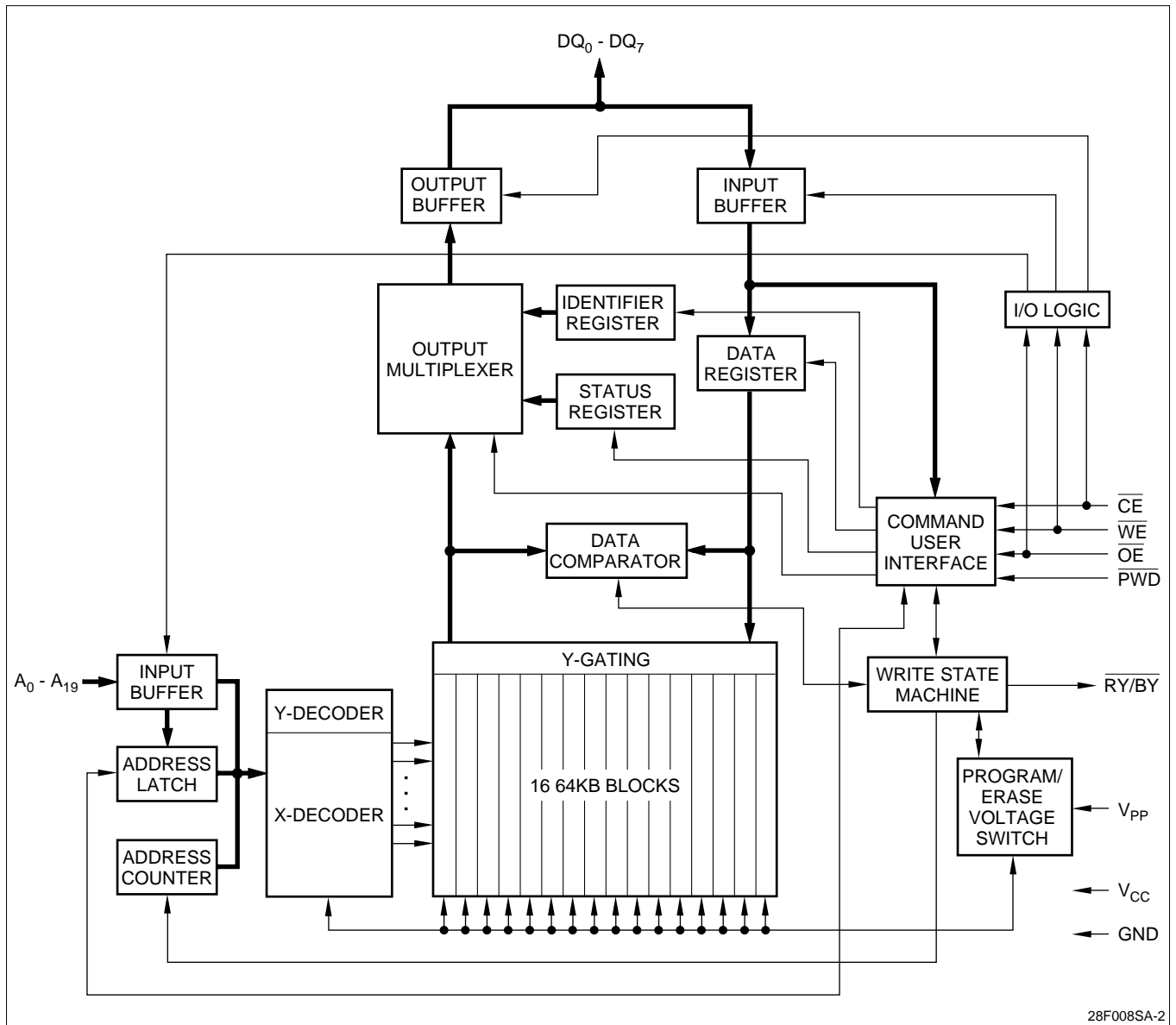
The LH28F008SA is a high-performance 8M (8,388,608 bit) memory organized at 1M (1,048,576 bytes) of 8 bits each. Sixteen 64K (65,536 Byte) blocks are included on the LH28F008SA. A memory map is shown in Figure 4 of this specification. A block erase operation erases one of the sixteen blocks of memory in typically 1.6 seconds, independent of the remaining blocks. Each block can be independently erased and written 100,000 cycles. Erase Suspend mode allows system software to suspend block erase to read data or execute code from any other block of the LH28F008SA.

The LH28F008SA is available in the 40-pin TSOP (Thin Small Outline Package, 1.2 mm thick) package. Pinouts are shown in Figure 1 of this specification.

The Command User Interface serves as the interface between the microprocessor or microcontroller and the internal operation of the LH28F008SA.

Byte Write and Block Erase Automation allow byte write and block erase operations to be executed using a two-write command sequence to the Command User Interface. The internal Write State Machine (WSM) automatically executes the algorithms and timings necessary for byte write and block erase operations, including verifications, thereby unburdening the microprocessor or microcontroller. Writing of memory data is performed in byte increments typically within 9 μ s, an 80% improvement over current flash memory products. I_{PP} byte write and block erase currents are 10 mA typical, 30 mA maximum. V_{PP} byte write and block erase voltage is 11.4 V to 12.5 V.

The Status Register indicates the status of the WSM and when the WSM successfully completes the desired byte write or block erase operation.



28F008SA-2

Figure 3. LH28F008SA Block Diagram

PIN DESCRIPTION

SYMBOL	TYPE	NAME AND FUNCTION
$A_0 - A_{19}$	INPUT	ADDRESS INPUTS: For memory addresses. Addresses are internally latched during a write cycle.
$DQ_0 - DQ_7$	INPUT/OUTPUT	DATA INPUT/OUTPUTS: Inputs data and commands during Command User Interface write cycles; outputs data during memory array. Status Register and Identifier read cycles. The data pins are active high and float to tri-state off when the chip is deselected or the outputs are disabled. Data is internally latched during a write cycle.
\overline{CE}	INPUT	CHIP ENABLE: Activates the device's control logic input buffers, decoders, and sense amplifiers. \overline{CE} is active low; \overline{CE} high deselects the memory device and reduces power consumption to standby levels.
\overline{PWD}	INPUT	POWERDOWN: Puts the device in deep powerdown mode. \overline{PWD} is active low; \overline{PWD} high gates normal operation. \overline{PWD} also locks out block erase or byte write operations when active low, providing data protection during power transitions.
\overline{OE}	INPUT	OUTPUT ENABLE: Gates the device's outputs through the data buffers during a read cycle. \overline{OE} is active low.
\overline{WE}	INPUT	WRITE ENABLE: Controls writes to the Command User Interface and array blocks. \overline{WE} is active low. Addresses and data are latched on the rising edge of the \overline{WE} Pulse.
$\overline{RY}/\overline{BY}$	OUTPUT	READY/BUSY: Indicates the status of the internal Write State Machine. When low, it indicates that the WSM is performing a block erase or byte write operation. $\overline{RY}/\overline{BY}$ high indicates that the WSM is ready for new commands, block erase is suspended or the device is in deep powerdown mode. $\overline{RY}/\overline{BY}$ is always active and does NOT float to tri-state off when the chip is deselected or data outputs are disabled.
V_{PP}	SUPPLY	BLOCK ERASE/BYTE WRITE POWER SUPPLY: for erasing blocks of the array or writing bytes of each block. NOTE: With $V_{PP} < V_{PPLMAX}$, memory contents cannot be altered.
V_{CC}		DEVICE POWER SUPPLY: (5 V \pm 10%, 5 V \pm 5%)
GND	SUPPLY	GROUND

The $\overline{RY}/\overline{BY}$ output gives an additional indicator of WSM activity, providing capability for both hardware signal of status (versus software polling) and status masking (interrupt masking for background erase, for example). Status polling using $\overline{RY}/\overline{BY}$ minimizes both CPU overhead and system power consumption. When low, $\overline{RY}/\overline{BY}$ indicates that the WSM is performing a block erase or byte write operation. $\overline{RY}/\overline{BY}$ high indicates that the WSM is ready for new commands, block erase is suspended or the device is in deep power down mode.

Maximum access time is 85 ns (t_{ACC}) over the commercial temperature range (0°C to +70°C) and over V_{CC} supply voltage range (4.5 V to 5.5 V and 4.75 V to 5.25 V). I_{CC} active current (CMOS Read) is 20 mA typical, 35 mA maximum at 8 MHz.

When the \overline{CE} and \overline{PWD} pins are at V_{CC} , the I_{CC} CMOS Standby mode is enabled.

A Deep Powerdown mode is enabled when the \overline{PWD} pin is at GND, minimizing power consumption and providing write protection. I_{CC} current in deep power down is 0.20 μ A typical. Reset time of 400 ns is required from \overline{PWD} switching high until outputs are valid to read attempts. Equivalently, the device has a wake time of 1 μ s from \overline{PWD} high until writes to the Command User Interface are recognized by the LH28F008SA. With \overline{PWD} at GND, the WSM is reset and the Status Register is cleared.

PRINCIPLES OF OPERATION

The LH28F008SA includes on-chip write automation to manage write and erase functions. The Write State Machine allows for 100% TTL-level control inputs; fixed power supplies during block erasure and byte write; and minimal processor overhead with SRAM like interface timings.

After initial device powerup, or after return from deep powerdown mode (see Bus Operations), the LH28F008SA functions as a read-only memory. Manipulation of external memory-control pins allow array read, standby and output disable operations. Both Status Register and intelligent identifiers can also be accessed through the Command User Interface when $V_{PP} = V_{PPL}$.

This same subset of operations is also available when high voltage is applied to the V_{PP} pin. In addition, high voltage on V_{PP} enables successful block erasure and byte writing of the device. All functions associated with altering memory contents - byte write, block erase, status and intelligent identifier - are accessed via the Command User Interface and verified through the Status Register.

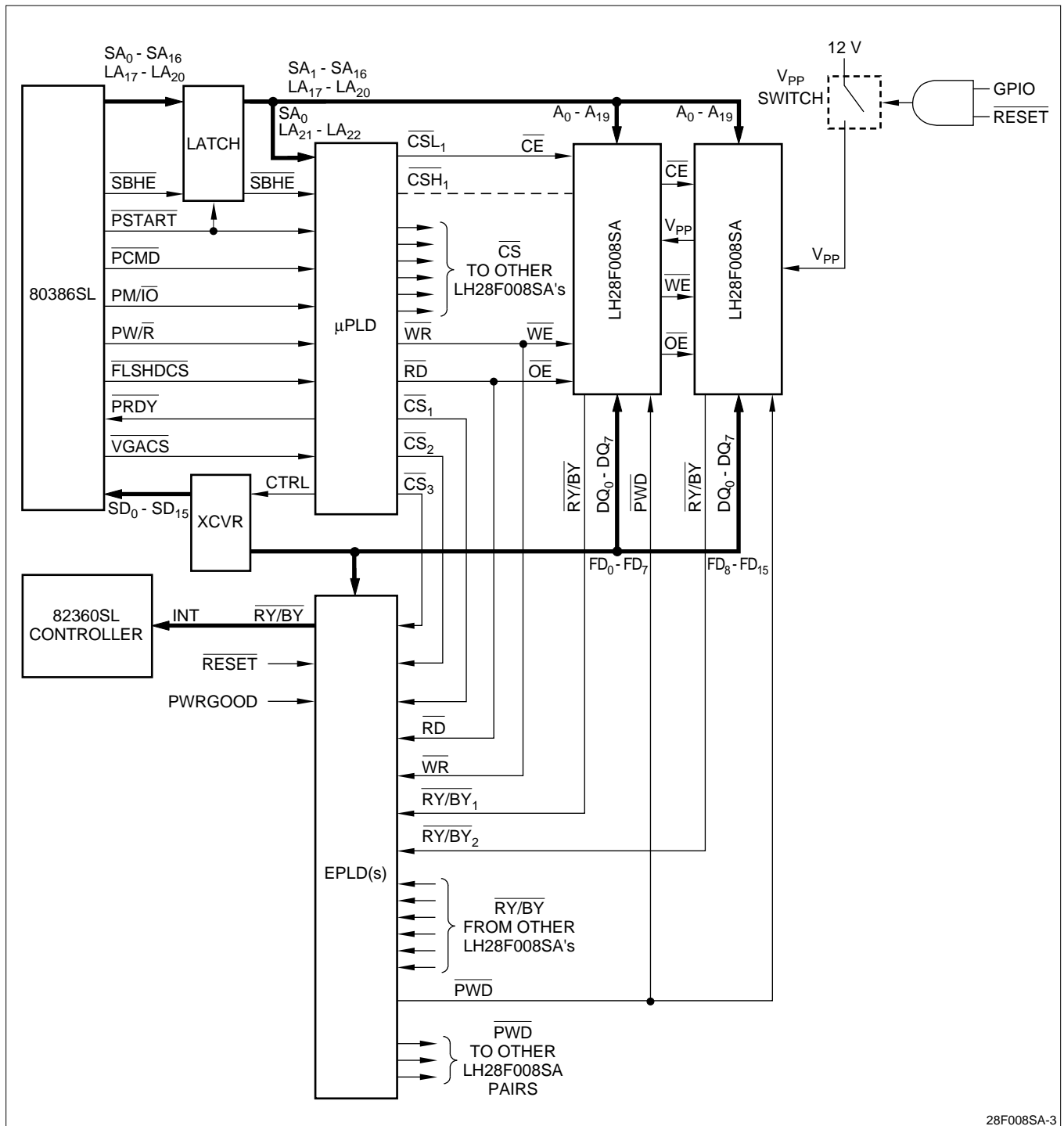
MEMORY MAP

FFFFF	64KB BLOCK
F0000 EFFFF	64KB BLOCK
E0000 DFFFF	64KB BLOCK
D0000 CFFFF	64KB BLOCK
C0000 BFFFF	64KB BLOCK
B0000 AFFFF	64KB BLOCK
A0000 9FFFF	64KB BLOCK
90000 8FFFF	64KB BLOCK
80000 7FFFF	64KB BLOCK
70000 6FFFF	64KB BLOCK
60000 5FFFF	64KB BLOCK
50000 4FFFF	64KB BLOCK
40000 3FFFF	64KB BLOCK
30000 2FFFF	64KB BLOCK
20000 1FFFF	64KB BLOCK
10000 0FFFF	64KB BLOCK
00000	64KB BLOCK

28F008SA-4

Figure 4. Memory Map

Commands are written using standard microprocessor write timings. Command User Interface contents serve as input to the WSM, which controls the block erase and byte write circuitry. Write cycles also internally latch addresses and data needed for byte write or block erase operations. With the appropriate command written to the register, standard microprocessor read timings output array data, access the intelligent identifier codes, or output byte write and block erase status for verification.



28F008SA-3

Figure 3. LH28F008SA Array Interface to 386SL Microprocessor Superset through PI Bus (Including RY/BY Masking and Selective Powerdown), for DRAM Backup during System SUSPEND, Resident O/S and Applications and Motherboard Solid-State Disk.

Interface software to initiate and poll progress of internal byte write and block erase can be stored in any of the LH28F008SA blocks. This code is copied to, and executed from, system RAM during actual flash memory update. After successful completion of byte write and/or block erase, code/data reads from the LH28F008SA are again possible via the Read Array command. Erase suspend/resume capability allows system software to suspend block erase to read data and execute code from any other block.

Command User Interface and Write Automation

An on-chip state machine controls block erase and byte write, freeing the system processor for other tasks. After receiving the Erase Setup and Erase Confirm commands, the state machine controls block pre-conditioning and erase, returning progress via the Status Register and $\overline{RY}/\overline{BY}$ output. Byte write is similarly controlled, after destination address and expected data are supplied. The program and erase algorithms of past standard Flash memories are now regulated by the state machine, including pulse repetition where required and internal verification and margining of data.

Data Protection

Depending on the application, the system designer may choose to make the V_{PP} power switchable (available only when memory byte writes/block erases are required) or hardwired to V_{PPH} . When $V_{PP} =$

V_{PPL} , memory contents cannot be altered. The LH28F008SA Command User interface architecture provides protection from unwanted byte write or block erase operations even when high voltage is applied to V_{PP} . Additionally, all functions are disabled whenever V_{CC} is below the write lockout voltage V_{LKO} , or when \overline{PWD} is at V_{IL} . The LH28F008SA accommodates either design practice and encourages optimization of the processor-memory interface.

The two-step byte write/block erase Command User Interface write sequence provides additional software write protection.

BUS OPERATION

Flash memory reads, erases and writes in-system via the local CPU. All bus cycles to or from the flash memory conform to standard microprocessor bus cycles.

Read

The LH28F008SA has three read modes. The memory can be read from any of its blocks, and information can be read from the intelligent identifier or Status Register. V_{PP} can be at either V_{PPL} or V_{PPH} .

Bus Operations

MODE	\overline{PWD}	\overline{CE}	\overline{OE}	\overline{WE}	A_0	V_{PP}	$DQ_0 - DQ_7$	$\overline{RY}/\overline{BY}$	NOTE
Read	V_{IH}	V_{IL}	V_{IL}	V_{IH}	X	X	D_{OUT}	X	1, 2, 3
Output Disable	V_{IH}	V_{IL}	V_{IH}	V_{IH}	X	X	High-Z	X	3
Standby	V_{IH}	V_{IH}	X	X	X	X	High-Z	X	3
Deep Power Down	V_{IL}	X	X	X	X	X	High-Z	V_{OH}	
Intelligent Identifier (Mfr)	V_{IH}	V_{IL}	V_{IL}	V_{IH}	V_{IL}	X	89H	V_{OH}	
Intelligent Identifier (Device)	V_{IH}	V_{IL}	V_{IL}	V_{IH}	V_{IH}	X	A2H	V_{OH}	
Write	V_{IH}	V_{IL}	V_{IH}	V_{IL}	X	X	D_{IN}	X	3, 4, 5

NOTES:

1. Refer to DC Characteristics. When $V_{PP} = V_{PPL}$, memory contents can be read but not written or erased.
2. X can be V_{IL} or V_{IH} for control pins and addresses, and V_{PPL} or V_{PPH} for V_{PP} . See DC Characteristics for V_{PPL} and V_{PPH} voltages.
3. $\overline{RY}/\overline{BY}$ is V_{OL} when the Write State Machine is executing internal block erase or byte write algorithms. It is V_{OH} when the WSM is not busy, in Erase Suspend mode or deep powerdown mode.
4. Command writes involving block erase or byte write are only successfully executed when $V_{PP} = V_{PPH}$.
5. Refer to the Command Definitions Table for valid D_{IN} during a write operation.

The first task is to write the appropriate read mode command to the Command User Interface (array, intelligent identifier, or Status Register). The LH28F008SA automatically resets to Read Array mode upon initial device powerup or after exit from deep powerdown. The LH28F008SA has four control pins, two of which must be logically active to obtain data at the outputs. Chip Enable (\overline{CE}) is the device selection control, and when active enables the selected memory device. Output Enable (\overline{OE}) is the data input/output (DQ₀ - DQ₇) direction control, and when active drives data from the selected memory onto the I/O bus. \overline{PWD} and \overline{WE} must also be at V_{IH}. Figure 8 illustrates read bus cycle waveforms.

Output Disable

With \overline{OE} at a logic-high level (V_{IH}), the device outputs are disabled. Output pins (DQ₀ - DQ₇) are placed in a high-impedance state.

Standby

\overline{CE} at a logic-high level (V_{IH}) places the LH28F008SA in standby mode. Standby operation disables much of the LH28F008SA's circuitry and substantially reduces device power consumption. The outputs (DQ₀ - DQ₇) are placed in a high-impedance state independent of

the status of \overline{OE} . If the LH28F008SA is deselected during block erase or byte write, the device will continue functioning and consuming normal active power until the operation completes.

Deep Power-Down

The LH28F008SA offers a deep power-down feature, entered when \overline{PWD} is at V_{IL}. Current draw through V_{CC} is 0.20 μA typical in deep powerdown mode, with current draw through V_{PP} typically 0.1 μA. During read modes, \overline{PWD} -low deselects the memory, places output drivers in a high-impedance state and turns off all internal circuits. The LH28F008SA requires time t_{PHQV} (see AC Characteristics-Read-Only Operations) after return from powerdown until initial memory access outputs are valid. After this wakeup interval, normal operation is restored. The Command User interface is reset to Read Array, and the upper 5 bits of the Status Register are cleared to value 100,000, upon return to normal operation.

During block erase or byte write modes, \overline{PWD} low will abort either operation. Memory contents of the block being altered are no longer valid as the data will be partially written or erased. Time t_{PHWL} after \overline{PWD} goes to logic-high (V_{IH}) is required before another command can be written.

Command Definitions

COMMAND	BUS CYCLES REQ'D	FIRST BUS CYCLE			SECOND BUS CYCLE			NOTE
		OPER.	ADDRESS	DATA	OPER.	ADDRESS	DATA	
Read Array/Reset	1	Write	X	FFH				1
Intelligent Identifier	3	Write	X	90H	Read	IA	IID	2, 3, 4
Read Status Register	2	Write	X	70H	Read	X	SRD	3
Clear Status Register	1	Write	X	50H				
Erase Setup/Erase Confirm	2	Write	BA	20H	Write	BA	D0H	2
Erase Suspend/Erase Resume	2	Write	X	B0H	Write	X	D0H	
Byte Write Setup/Write	2	Write	WA	40H	Write	WD	WD	2, 3, 5
Alternate Byte Write Setup/Write	2	Write	WA	10H	Write	WD	WD	2, 3, 5

NOTES:

- Bus operations are defined in Bus Operations Table.
- IA = Identifier Address: D0H for manufacturer code, 01H for device code.
BA = Address within the block being erased.
WA = Address of memory location to be written.
- SRD = Data read from Status Register. See Status Register Definitions Table for a description of the Status Register bits.
WD = Data to be written at location WA. Data is latched on the rising edge of \overline{WE} .
IID = Data read from intelligent identifiers.
- Following the intelligent identifier command, two read operations access manufacture and device codes.
- Either 40H or 10H are recognized by the WSM as the Byte Write Setup command.
- Commands other than those shown above are reserved by Intel for future device implementations and should not be used.

Intelligent Identifier Operation

The intelligent identifier operation outputs the manufacturer code 89H; and the device code, A2H for the LH28F008SA. The system CPU can then automatically match the device with its proper block erase and byte write algorithms.

The manufacturer and device-codes are read via the Command User Interface. Following a write of 90H to the Command User Interface, a read from address location 00000H outputs the manufacturer code (89H). A read from address 00001H outputs the device code (A2H). It is not necessary to have high voltage applied to V_{PP} to read the intelligent identifiers from the Command User Interface.

Write

Writes to the Command User Interface enable reading of device data and intelligent identifiers. They also control inspection and clearing of the Status Register. Additionally, when $V_{PP} = V_{PPH}$, the Command User Interface controls block erasure and byte write. The contents of the interface register serve as input to the internal state machine.

The Command User Interface itself does not occupy an addressable memory location. The interface register is a latch used to store the command and address and

data information needed to execute the command. Erase Setup and Erase Confirm commands require both appropriate command data and an address within the block to be erased. The Byte Write Setup command requires both appropriate command data and the address of the location to be written, while the Byte Write command consists of the data to be written and the address of the location to be written.

The Command User Interface is written by bringing \overline{WE} to a logic-low level (V_{IL}) while \overline{CE} is low. Addresses and data are latched on the rising edge of \overline{WE} . Standard microprocessor write timings are used.

Refer to AC Write Characteristics and the AC Waveforms for Write Operations, Figure 9, for specific timing parameters.

COMMAND DEFINITIONS

When V_{PPL} is applied to the V_{PP} pin, read operations from the Status Register, intelligent identifiers, or array blocks are enabled. Placing V_{PPH} on V_{PP} enables successful byte write and block erase operations as well.

Device operations are selected by writing specific commands into the Command User Interface. Command Definitions Table defines the LH28F008SA commands.

Status Register Definitions

WSMS	ESS	ES	BWS	VPPS	R	R	R
7	6	5	4	3	2	1	0

SR.7	= WRITE STATE MACHINE STATUS (WSMS) 1 = Ready 0 = Busy
SR.6	= ERASE-SUSPEND STATUS (ESS) 1 = Erase Suspended 0 = Erase in Progress/Completed
SR.5	= ERASE STATUS (ES) 1 = Error in Block Erasure 0 = Successful Block Erase
SR.4	= BYTE WRITE STATUS (BWS) 1 = Error in Byte Write 0 = Successful Byte Write
SR.3	= V_{PP} STATUS (VPPS) 1 = V_{PP} Low Detect, Operation Abort 0 = V_{PP} OK

NOTES:

1. $\overline{RY}/\overline{BY}$ or the Write State Machine Status bit must first be checked to determine byte write or block erase operation, before the Byte Write or Erase Status bit are checked to success.
2. If the Byte Write AND Erase Status bits are set to '1's during a block erase attempt, an improper command sequence was entered. Attempt the operation again.
3. If V_{PP} low status is detected, the Status Register must be cleared before another byte write or block erase operation is attempted. The V_{PP} Status bit, unlike an A/D converter, does not provide continuous indication of V_{PP} level. The WSM interrogates the V_{PP} level only after the byte write or block erase command sequences have been entered and informs the system if V_{PP} has not been switched on. The V_{PP} Status bit is not guaranteed to report accurate feedback between V_{PPL} and V_{PPH} .
4. SR.2 - SR.0 = Reserved for future enhancements. These bits are reserved for future use and should be masked out when polling the Status Register.

Read Array Command

Upon initial device powerup and after exit from deep powerdown mode, the LH28F008SA defaults to Read Array mode. This operation is also initiated by writing FFH into the Command User Interface. Microprocessor read cycles retrieve array data. The device remains enabled for reads until the Command User Interface contents are altered. Once the internal Write State Machine has started a block erase or byte write operation, the device will not recognize the Read Array command, until the WSM has completed its operation. The Read Array command is functional when $V_{PP} = V_{PPL}$ or V_{PPH} .

Intelligent Identifier Command

The LH28F008SA contains an intelligent identifier operation, initiated by writing 90H into the Command User Interface. Following the command write, a read cycle from address 00000H retrieves the manufacturer code of 89H. A read cycle from address 00001H returns the device code of A2H. To terminate the operation, it is necessary to write another valid command into the register. Like the Read Array command, the intelligent identifier command is functional when $V_{PP} = V_{PPL}$ or V_{PPH} .

Read Status Register Command

The LH28F008SA contains a Status Register which may be read to determine when a byte write or block erase operation is complete, and whether that operation completed successfully. The Status Register may be read at any time by writing the Read Status Register command (70H) to the Command User Interface. After writing this command, all subsequent read operations output data from the Status Register, until another valid command is written to the Command User Interface. The contents of the Status Register are latched on the falling edge of \overline{OE} or \overline{CE} , whichever occurs last in the read cycle. \overline{OE} or \overline{CE} must be toggled to V_{IH} before further reads to update the Status Register latch. The Read Status Register command functions when $V_{PP} = V_{PPL}$ or V_{PPH} .

Clear Status Register Command

The Erase Status and Byte Write Status bits are set to '1's by the Write State Machine and can only be reset by the Clear Status Register Command. These bits indicate various failure conditions (see Status Register Definitions). By allowing system software to control the resetting of these bits, several operations may be performed (such as cumulatively writing several bytes or erasing multiple blocks in sequence). The Status Register may then be polled to determine if an error occurred during that sequence. This adds flexibility to the way the device may be used.

Additionally, the V_{PP} Status bit (SR.3) MUST be re-set by system software before further byte writes or block erases are attempted. To clear the Status Register, the Clear Status Register command (50H) is written to the Command User Interface. The Clear Status Register command is functional when $V_{PP} = V_{PPL}$ or V_{PPH} .

Erase Setup/Erase Confirm Commands

Erase is executed one block at a time, initiated by a two-cycle command sequence. An Erase Setup command (20H) is first written to the Command User Interface, followed by the Erase Confirm command (D0H). These commands require both appropriate sequencing and an address within the block to be erased to FFH. Block preconditioning, erase and verify are all handled internally by the Write State Machine, invisible to the system. After the two-command erase sequence is written to it, the LH28F008SA automatically outputs Status Register data when read (see Block Erase Flowchart). The CPU can detect the completion of the erase event by analyzing the output of the $\overline{RY}/\overline{BY}$ pin, or the WSM Status bit of the Status Register.

When erase is completed, the Erase Status bit should be checked. If erase error is detected, the Status Register should be cleared. The Command User Interface remains in Read Status Register mode until further commands are issued to it.

This two-step sequence of set-up followed by execution insures that memory contents are not accidentally erased. Also, reliable block erasure can only occur when $V_{PP} = V_{PPH}$. In the absence of this high voltage, memory contents are protected against erasure. If block erase is attempted while $V_{PP} = V_{PPL}$, the V_{PP} Status bit will be set to '1'. Erase attempts while $V_{PPL} < V_{PP} < V_{PPH}$ produce spurious results and should not be attempted.

Erase Suspend/Erase Resume Commands

The Erase Suspend command allows block erase interruption in order to read data from another block of memory. Once the erase process starts, writing the Erase Suspend command (B0H) to the Command User Interface requests that the WSM suspend the erase sequence at a predetermined point in the erase algorithm. The LH28F008SA continues to output Status Register data when read, after the Erase Suspend command is written to it. Polling the WSM Status and Erase Suspend Status bits will determine when the erase operation has been suspended (both will be set to '1'). $\overline{RY}/\overline{BY}$ will also transition to V_{OH} .

At this point, a Read Array command can be written to the Command User Interface to read data from blocks other than that which is suspended. The only other valid commands at this time are Read Status Register (70H) and Erase Resume (D0H), at which time the WSM will continue with the erase process. The Erase Suspend Status and WSM Status bits of the Status Register will be automatically cleared and $\overline{RY}/\overline{BY}$ will return to V_{OL} . After the Erase Resume command is written to it, the LH28F008SA automatically outputs Status Register data when read (see Erase Suspend/Resume Flowchart). V_{PP} must remain at V_{PPH} while the LH28F008SA is in Erase Suspend.

Byte Write Setup/Write Commands

Byte write is executed by a two-command sequence. The Byte Write Setup command (40H) is written to the Command User Interface, followed by a second write specifying the address and data (latched on the rising edge of \overline{WE}) to be written. The WSM then takes over, controlling the byte write and write verify algorithms internally. After the two-command byte write sequence is written to it, the LH28F008SA automatically outputs Status Register data when read (see Byte Write Flowchart). The CPU can detect the completion of the byte write event by analyzing the output of the $\overline{RY}/\overline{BY}$ pin, or the WSM Status bit of the Status Register. Only the Read Status Register command is valid while byte write is active.

When byte write is complete, the Byte Write Status bit should be checked. If byte write error is detected, the Status Register should be cleared. The internal WSM verify only detects errors for '1's that do not successfully write to '0's. The Command User Interface remains in Read Status Register mode until further commands are issued to it. If byte write is attempted while $V_{PP} = V_{PPL}$, the V_{PP} Status bit will be set to '1'. Byte write attempts while $V_{PPL} < V_{PP} < V_{PPH}$ produce spurious results and should not be attempted.

EXTENDED BLOCK ERASE/BYTE WRITE CYCLING

The LH28F008SA is designed for 100,000 byte write/block erase cycles on each of the sixteen 64K blocks. Low electric fields, advanced oxides and minimal oxide area per cell subjected to the tunneling electric field combine to greatly reduce oxide stress and the probability of failure. A 20M solid-state drive using an array of LH28F008SAs has a MTBF (Mean Time Between Failure) of 33.3 million hours(1), over 600 times more reliable than equivalent rotating disk technology.

AUTOMATED BYTE WRITE

The LH28F008SA integrates the Quick-Pulse programming algorithm using the Command User Interface, Status Register and Write State Machine (WSM). On-chip integration dramatically simplifies system software and provides processor interface timings to the Command User Interface and Status Register. WSM operation, internal verify and V_{PP} high voltage presence are monitored and reported via the $\overline{RY}/\overline{BY}$ output and appropriate Status Register bits. Figure 5 shows a system software flowchart for device byte write. The entire sequence is performed with V_{PP} at V_{PPH} .

Byte write abort occurs when \overline{PWD} transitions to V_{IL} , or V_{PP} drops to V_{PPL} . Although the WSM is halted, byte data is partially written at the location where byte write aborted. Block erasure, or a repeat of byte write, is required to initialize this data to a known value.

AUTOMATED BLOCK ERASE

As above, the Quick-Erase algorithm is now implemented internally, including all preconditioning of block data. WSM operation, erase success and V_{PP} high voltage presence are monitored and reported through $\overline{RY}/\overline{BY}$ and the Status Register. Additionally, if a command other than Erase Confirm is written to the device following Erase Setup, both the Erase Status and Byte Write Status bits will be set to '1's. When issuing the Erase Setup and Erase Confirm commands, they should be written to an address within the address range of the block to be erased. Figure 6 shows a system software flowchart for block erase.

Erase typically takes 1.6 seconds per block. The Erase Suspend/Erase Resume command sequence allows suspension of this erase operation to read data from a block other than that in which erase is being performed. A system software flowchart is shown in Figure 7.

The entire sequence is performed with V_{PP} at V_{PPH} . Abort occurs when \overline{PWD} transitions to V_{IL} or V_{PP} fails to V_{PPL} , while erase is in progress. Block data is partially erased by this operation, and a repeat of erase is required to obtain a fully erased block.

DESIGN CONSIDERATIONS

Three-Line Output Control

The LH28F008SA will often be used in large memory arrays. Intel provides three control inputs to accommodate multiple memory connections. Three-line control provides for:

- Lowest possible memory power dissipation
- Complete assurance that data bus contention will not occur

To efficiently use these control input, an address decoder should enable \overline{CE} , while \overline{OE} should be connected to all memory devices and the system's READ control line. This assures that only selected memory devices have active outputs while deselected memory devices are in Standby Mode. Finally, \overline{PWD} should either be tied to the system RESET, or connected to V_{CC} if unused.

NOTE:

1. Assumptions: 10K file written every 10 minutes.
(20M array 10K file) = 2,000 file writes before erase required.
(2000 files writes/erase) × (100,000 cycles per LH28F008SA block) = 200 million file writes. (200 × 10⁶ file writes) × 10 minutes/write) × 1 hr/60 minutes) = 33.3 × 10² MTBF.

$\overline{RY}/\overline{BY}$ and Byte Write/Block Erase Polling

$\overline{RY}/\overline{BY}$ is a full CMOS output that provides a hardware method of detecting byte write and block erase completion. It transitions low time t_{WHRL} after a write or erase command sequence is written to the LH28F008SA, and returns to V_{OH} when the WSM has finished executing the internal algorithm.

$\overline{RY}/\overline{BY}$ can be connected to the interrupt input of the system CPU or controller. It is active at all times, not instated if the LH28F008SA \overline{CE} or \overline{OE} inputs are brought to V_{IH} . $\overline{RY}/\overline{BY}$ is also V_{OH} when the device is in Erase Suspend or deep powerdown modes.

Power Supply Decoupling

Flash memory power switching characteristics require careful device decoupling. System designers are interested in 3 supply current issues: standby current levels (I_{SB}), active current levels (I_{CC}) and transient peaks produced by falling and rising edges of \overline{CE} . Transient current magnitudes depend on the device outputs' capacitive and inductive loading. Two-line control and proper decoupling capacitor selection will suppress transient voltage peaks. Each device should have a 0.1 μ F ceramic capacitor connected between each V_{CC} and GND, and between its V_{PP} and GND. These high frequency, low inherent-inductance capacitors should be placed as close as possible to package leads. Addition-

ally, for every 8 devices, a 4.7 μ F electrolytic capacitor should be placed at the array's power supply connection between V_{CC} and GND. The bulk capacitor will overcome voltage slumps caused by PC board trace inductances.

V_{PP} Trace on Printed Circuit Boards

Writing flash memories, while they reside in the target system, requires that the printed circuit board designer pay attention to the V_{PP} power supply trace. The V_{PP} pin supplies the memory cell current for writing and erasing. Use similar trace widths and layout considerations given to the V_{CC} power bus. Adequate V_{PP} Supply traces and decoupling will decrease V_{PP} voltage spikes and overshoots.

V_{CC} , V_{PP} , \overline{PWD} Transitions and the Command/Status Registers

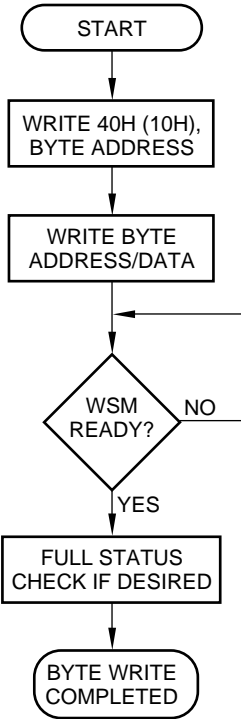
Byte write and block erase completion are not guaranteed if V_{PP} drops below V_{PPH} . If the V_{PP} Status bit of the Status Register (SR.3) is set to '1', a Clear Status Register command MUST be issued before further byte write/block erase attempts are allowed by the WSM. Otherwise, the Byte Write (SR.4) or Erase (SR.5) Status bits of the Status Register will be set to '1's if error is detected. \overline{PWD} transitions to VIL during byte write and block erase also abort the operations. Data is partially altered in either case, and the command sequence must be repeated after normal operation is restored. Device poweroff, or \overline{PWD} transitions to V_{IL} , clear the Status Register to initial value 10,000 for the upper 5 bits.

The Command User Interface latches commands as issued by system software and is not altered by V_{PP} or \overline{CE} transitions or WSM actions. Its state upon power up, after exit from deep powerdown or after V_{CC} transitions below V_{LKO} , is Read Array Mode.

After byte write or block erase is complete, even after V_{PP} transitions down to V_{PPL} , the Command User Interface must be reset to Read Array mode via the Read Array command if access to the memory array is desired.

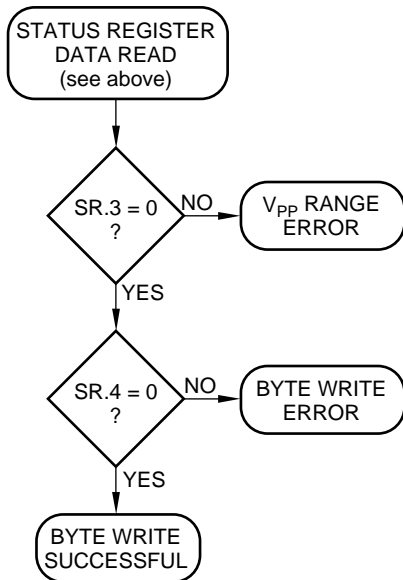
Power Up/Down Protection

The LH28F008SA is designed to offer protection against accidental block erasure or byte writing during power transitions. Upon power-up, the LH28F008SA is indifferent as to which power supply, V_{PP} or V_{CC} , powers up first. Power supply sequencing is not required. Internal circuitry in the LH28F008SA ensures that the Command User Interface is reset to the Read Array mode on power up.



BUS OPERATION	COMMAND	COMMENTS
Write	Byte Write Setup	Data = 40H (10H) Addr = Byte to be written
Write	Byte Write	Data to be written Addr = Byte to be written
Standby/Read		Check $\overline{RY/BY}$ V_{OH} = Ready, V_{OL} = Busy or Read Status Register Check SR.7 1 = Ready, 0 = Busy Toggle \overline{OE} or \overline{CE} to update Status Register
Repeat for subsequent bytes.		
Full status check can be done after each byte or after a sequence of bytes.		
Write FFH after the last byte write operation to reset the device to Read Array Mode.		

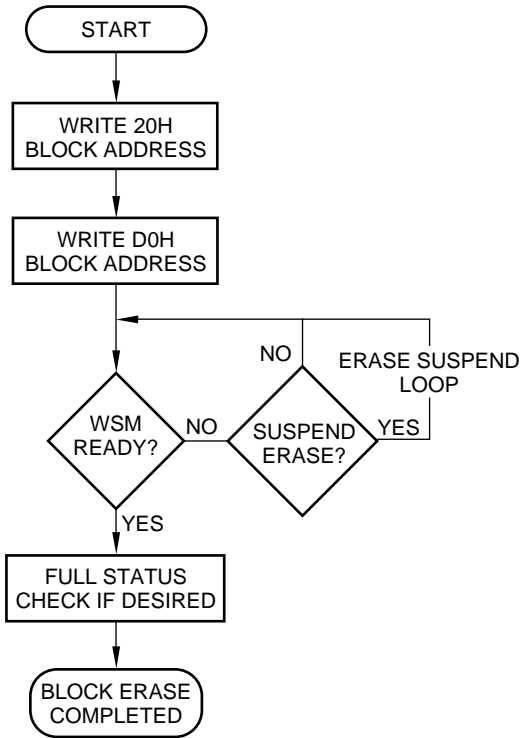
FULL STATUS CHECK PROCEDURE



BUS OPERATION	COMMAND	COMMENTS
Optional Read		CPU may already have read Status Register data in WSM Ready polling above
Standby		Check SR.3 1 = V_{PP} Low Detect
Standby		Check SR.4 1 = Byte Write Error
SR.3 must be cleared, if set during a byte write attempt, before further attempts are allowed by the Write State Machine.		
SR.4 is only cleared by the Clear Status Register Command, in cases where multiple bytes are written before full status is checked.		
If error is detected, clear the Status Register before attempting retry or other error recovery.		

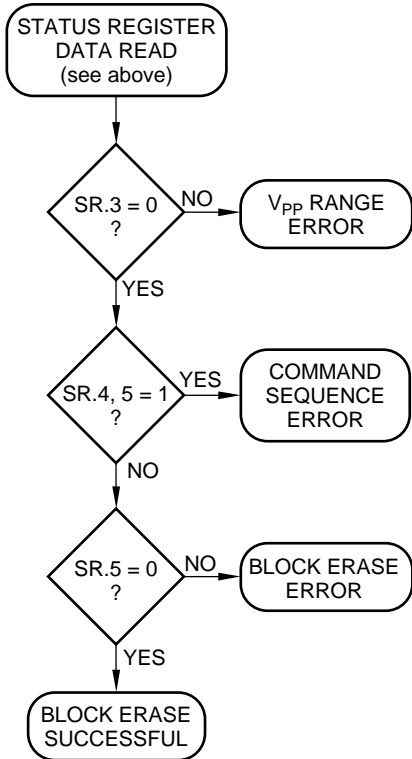
28F008SA-5

Figure 5. Automated Byte Write Flowchart



BUS OPERATION	COMMAND	COMMENTS
Write	Erase Setup	Data = 20H Addr = Within block to be erased
Write	Erase	Data = D0H Addr = Within block to be erased
Standby/Read		Check $\overline{RY/BY}$ V_{OH} = Ready, V_{OL} = Busy or Read Status Register Check SR.7 1 = Ready, 0 = Busy Toggle \overline{OE} or \overline{CE} to update Status Register
Repeat for subsequent bytes.		
Full status check can be done after each block or after a sequence of blocks.		
Write FFH after the last block erase operation to reset the device to Read Array Mode.		

FULL STATUS CHECK PROCEDURE



BUS OPERATION	COMMAND	COMMENTS
Optional Read		CPU may already have read Status Register data in WSM Ready polling above
Standby		Check SR.3 1 = V_{PP} Low Detect
Standby		Check SR.4, 5 Both 1 = Command Sequence Error
Standby		Check SR.5 1 = Block Erase Error
SR.3 must be cleared, if set during a block erase attempt, before further attempts are allowed by the Write State Machine.		
SR.5 is only cleared by the Clear Status Register Command, in cases where multiple blocks are erased before full status is checked.		
If error is detected, clear the Status Register before attempting retry or other error recovery.		

28F008SA-6

Figure 6. Automated Block Erase Flowchart

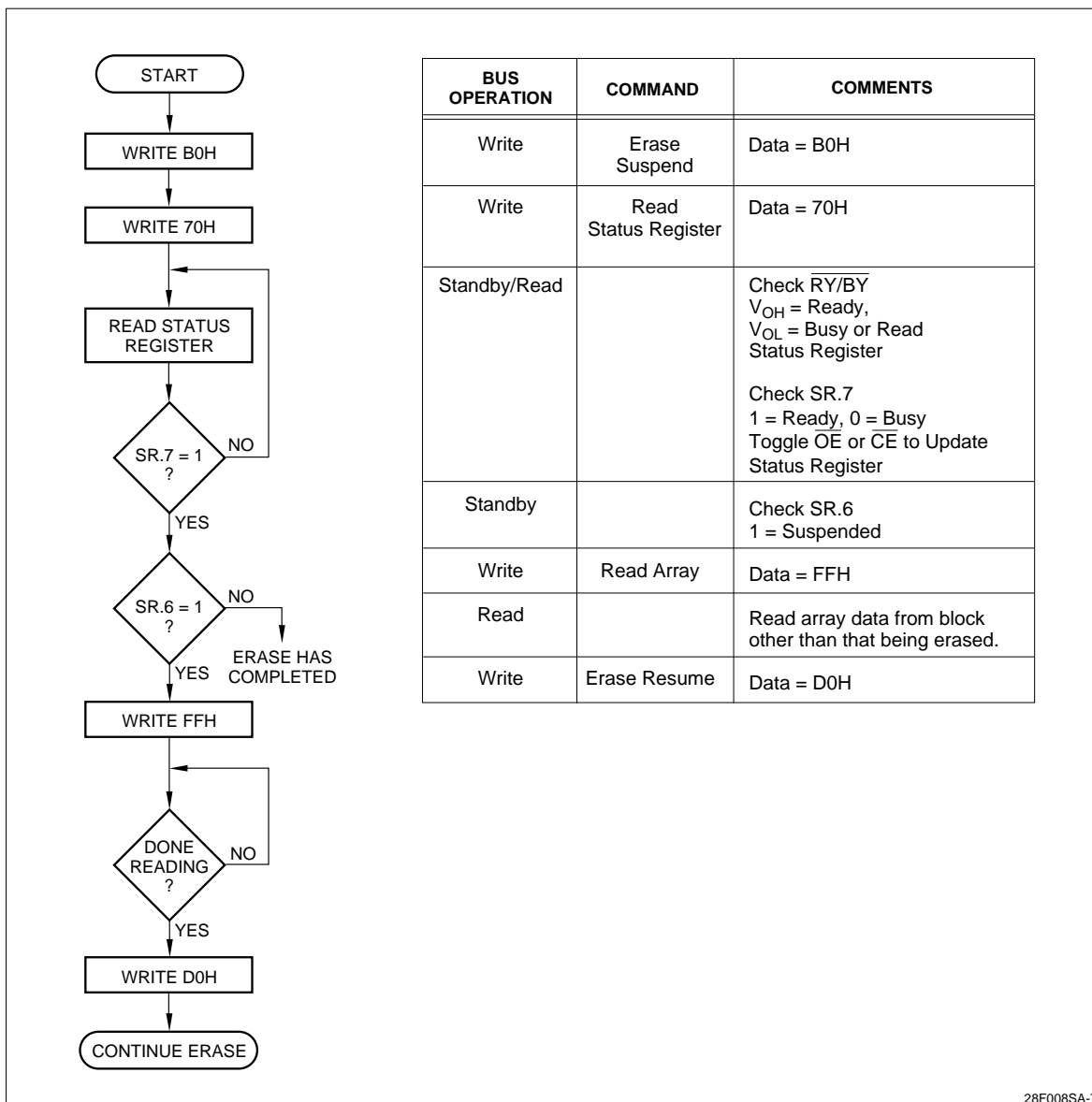


Figure 7. Erase Suspend/Erase Resume Flowchart

A system designer must guard against spurious writes for V_{CC} voltages above V_{LKO} when V_{PP} is active. Since both \overline{WE} and \overline{CE} must be low for a command write, driving either to V_{IH} will inhibit writes. The Command User Interface architecture provides an added level of protection since alteration of memory contents only occurs after successful completion of the two-setup command sequences.

Finally, the device is disabled until \overline{PWD} is brought to V_{IH} , regardless of the state of its control inputs. This provides an additional level of memory protection.

Power Dissipation

When designing portable systems, designers must consider battery power consumption not only during

device operation, but also for data retention during system idle time. Flash nonvolatility increases usable battery life, because the LH28F008SA does not consume any power to retain code or data when the system is off.

In addition, the LH28F008SA's deep powerdown mode ensures extremely low power dissipation even when system power is applied. For example, portable PCs and other power sensitive applications, using an array of LH28F008SAs for solid-state storage, can lower \overline{PWD} to V_{IL} in standby or sleep modes, producing negligible power consumption. If access to the LH28F008SA is again needed, the part can again be read, following the t_{PHQV} and t_{PHWL} wakeup cycles required after \overline{PWD} is first raised back to V_{IH} . See AC Characteristics - Read-Only and Write Operations and Figures 8 and 9 for more information.

ABSOLUTE MAXIMUM RATINGS*

Operating Temperature	
During Read	0°C to +70°C ¹
During Block Erase/Byte Write	0°C to +70°C
Temperature Under Bias	-10°C to +80°C
Storage Temperature	-65°C to +125°C
Voltage on Any Pin (except V _{CC} and V _{PP}) with Respect to GND	-2.0 V to +7.0 V ²
V _{PP} Program Voltage with Respect to GND during Block Erase/Byte Write	-2.0 V to +14.0 V ^{2, 3}
V _{CC} Supply Voltage with Respect to GND	-2.0 V to +7.0 V ²
Output Short Circuit Current	100 mA ⁴

*WARNING: Stressing the device beyond the "Absolute Maximum Ratings" may cause permanent damage. These are stress ratings only. Operation beyond the "Operating Conditions" is not recommended and extended exposure beyond the "Operating Conditions" may affect device reliability.

OPERATING CONDITIONS

SYMBOL	PARAMETER	MIN.	MAX.	UNITS	NOTE
T _A	Operating Temperature	0	70.0	°C	
V _{CC}	V _{CC} Supply Voltage (10%)	4.50	5.50	V	5
V _{CC}	V _{CC} Supply Voltage (5%)	4.75	5.25	V	5

NOTES:

- Operating temperature is for commercial product defined by this specification.
- Minimum DC voltage is -0.5 V on input/output pins. During transitions, this level may undershoot to -2.0 V for periods < 20 ns. Maximum DC voltage on input/output pins is V_{CC} + 0.5 V which, during transitions, may overshoot to V_{CC} + 2.0 V for periods < 20 ns.
- Maximum DC voltage on V_{PP} may overshoot to +14.0 V for periods < 20 ns.
- Output shorted for no more than one second. No more than one output shorted at a time.
- 5% V_{CC} specification reference the LH28F008SA-85 in its High Speed configuration, 10% V_{CC} specifications reference the LH28F008SA-85 in its Standard configuration, and the LH28F008SA-12.

DC CHARACTERISTICS

SYMBOL	PARAMETER	TYP.	MIN.	MAX.	UNITS	TEST CONDITIONS	NOTE
I _{LI}	Input Load Current			±1.0	μA	V _{CC} = V _{CC} MAX., V _{IN} = V _{CC} or GND	1
I _{LO}	Output Leakage Current			±10.0	μA	V _{CC} = V _{CC} MAX., V _{OUT} = V _{CC} or GND	1
I _{CCS}	V _{CC} Standby Current	1.0		2.0	mA	V _{CC} = V _{CC} MAX., $\overline{CE} = \overline{PWD} = V_{IH}$	1, 3
		30		100.0	μA	V _{CC} = V _{CC} MAX., $\overline{CE} = \overline{PWD} = V_{CC} \pm 0.2 V$	
I _{CCD}	V _{CC} Deep Power Down Current	0.20		1.2	μA	$\overline{PWD} = GND \pm 0.2$ I _{OUT} (RY/BY) = 0 mA	1
I _{CCR}	V _{CC} Read Current	20		35.0	mA	V _{CC} = V _{CC} MAX., $\overline{CE} = GND$ f = 8 MHz, I _{OUT} = 0 mA CMOS Inputs	1
		25		50.0	mA	V _{CC} = V _{CC} MAX., $\overline{CE} = V_{IL}$ f = 8 MHz, I _{OUT} = 0 mA TTL Inputs	

DC Characteristics (Continued)

SYMBOL	PARAMETER	TYP.	MIN.	MAX.	UNITS	TEST CONDITIONS	NOTE
I_{CCW}	V_{CC} Byte Write Current	10		30	mA	Byte Write in Progress	1
I_{CCE}	V_{CC} Block Erase Current	10		30	mA	Block Erase in Progress	1
I_{CCES}	V_{CC} Erase Suspend Current	5		10	mA	Block Erase Suspended $\overline{CE} = V_{IH}$	1, 2
I_{PPS}	V_{PP} Standby Current	± 1		± 10	μA	$V_{PP} \leq V_{CC}$	1
		90		200	μA	$V_{PP} \leq V_{CC}$	
I_{PPD}	V_{PP} Deep Power Down Current	0.10		5.0	μA	$\overline{PWD} = GND \pm 0.2 V$	1
I_{PPW}	V_{PP} Byte Write Current	10		30	mA	$V_{PP} = V_{PPH}$ Byte Write in Progress	1
I_{PPE}	V_{PP} Block Erase Current	10		30	mA	$V_{PP} = V_{PPH}$, Block Erase in Progress	1
I_{PPES}	V_{PP} Erase Suspend Current	90		200	μA	$V_{PP} = V_{PPH}$, Block Erase Suspended	1
V_{IL}	Input Low Voltage		-0.5	0.8	V		
V_{IH}	Input High Voltage		2.0	$V_{CC} + 0.5$	V		
V_{OL}	Output Low Voltage			0.45	V	$V_{CC} = V_{CC} \text{ MIN.}$ $I_{OL} = 5.8 \text{ mA}$	3
V_{OH}	Output High Voltage		2.4		V	$V_{CC} = V_{CC} \text{ MIN.}$ $I_{OL} = 2.5 \text{ mA}$	3
V_{PPL}	V_{PP} during Normal Operations		0.0	6.5	V		4
V_{PPH}	V_{PP} during Write/Erase Operations	12	11.4	12.6	V		
V_{LKO}	V_{CC} Erase/Write Lock Voltage		2.0		V		

Capacitance⁵

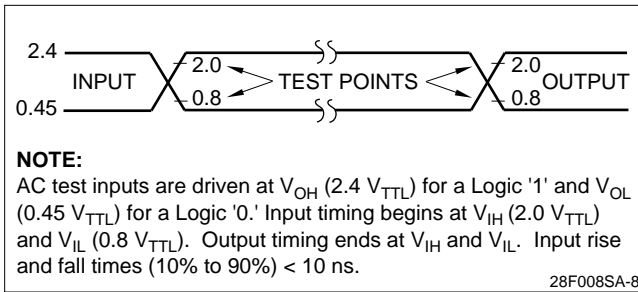
$T_A = 25^\circ\text{C}$, $f = 1\text{MHz}$

SYMBOL	PARAMETER	TYP.	MAX.	UNITS	TEST CONDITIONS
C_{IN}	Input Capacitance	6	8	pF	$V_{IN} = 0 V$
C_{OUT}	Output Capacitance	8	12	pF	$V_{IN} = 0 V$

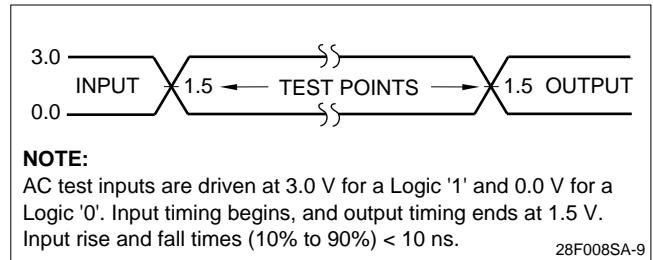
NOTES:

- All currents are in RMS unless otherwise noted. Typical values at $V_{CC} = 5.0 V$, $V_{PP} = 12.0 V$, $T = 25^\circ\text{C}$. These currents are valid for all product versions (package and speeds).
- I_{CCES} is specified with the device deselected. If the LH28F008SA is read while in Erase Suspend Mode, current draw is the sum of I_{CCES} and I_{CCR} .
- Includes $\overline{RY}/\overline{BY}$.
- Block Erases/Byte Writes are inhibited when $V_{PP} = V_{PPL}$ and not guaranteed in the range between V_{PPH} and V_{PPL} .
- Sampled, not 100% tested.

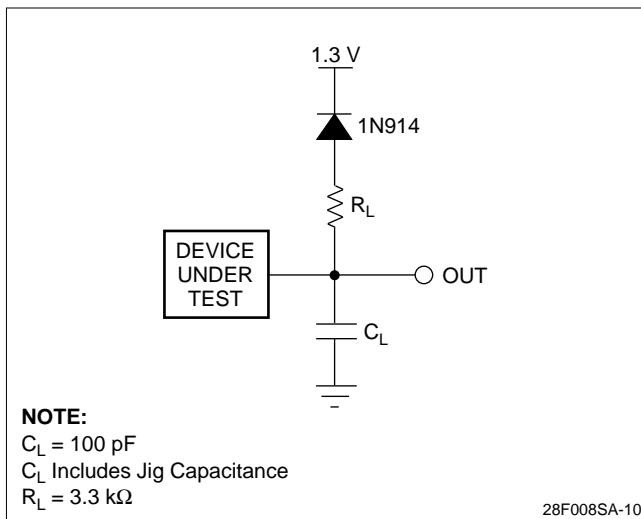
AC INPUT/OUTPUT REFERENCE WAVEFORM¹



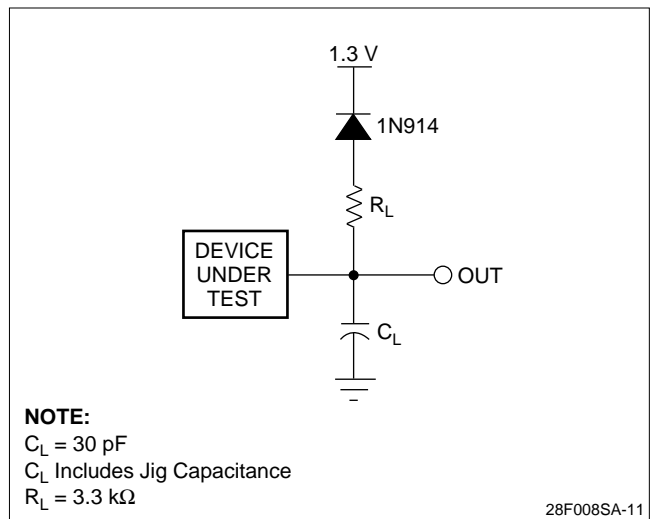
HIGH SPEED AC INPUT/OUTPUT REFERENCE WAVEFORM²



AC TESTING LOAD CIRCUIT¹



HIGH SPEED AC TESTING LOAD CIRCUIT²



NOTES:

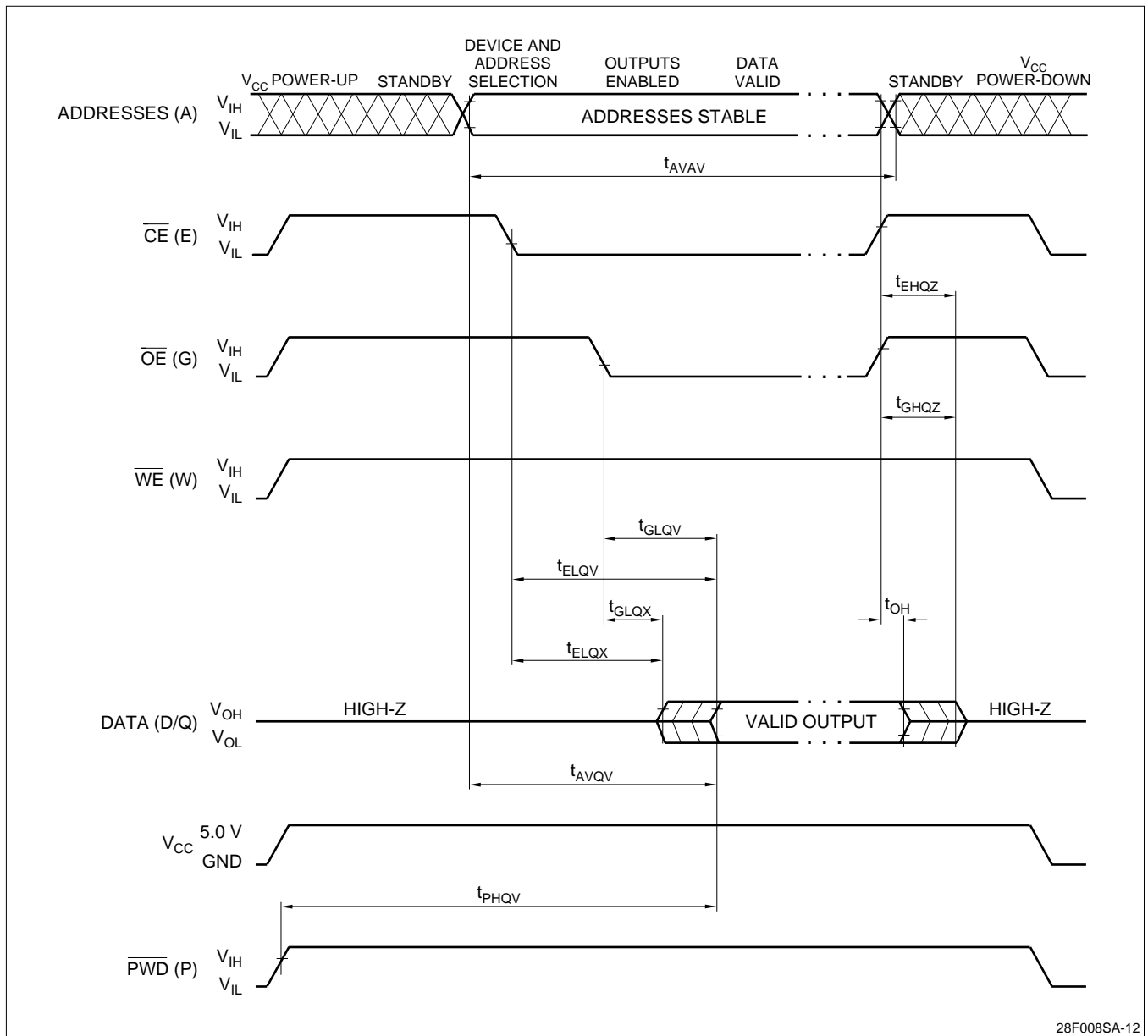
1. Testing characteristics for LH28F008SA-85 in Standard configuration, and LH28F008SA-12.
2. Testing characteristics for LH28F008SA-85 in High Speed configuration

AC CHARACTERISTICS - Read Only Operations¹

SYMBOL		PARAMETER	LH28F008SA-85 ⁴ V _{CC} ± 5%		LH28F008SA-85 ⁵ V _{CC} ± 10%		LH28F008SA-12 ⁵ V _{CC} ± 10%		UNIT	NOTE
			MIN.	MAX.	MIN.	MAX.	MIN.	MAX.		
t _{AVAV}	t _{AC}	Read Cycle Time	85		90		120		ns	
t _{AVQV}	t _{ACC}	Address to Output Delay		85		90		120	ns	
t _{ELQV}	t _{CE}	$\overline{\text{CE}}$ to Output Delay		85		90		120	ns	2
t _{PHQV}	t _{PWH}	PWD High to Output Delay		400		400		400	ns	
t _{GLQV}	t _{OE}	$\overline{\text{OE}}$ to Output Delay		40		45		50	ns	2
t _{ELQX}	t _{LZ}	$\overline{\text{CE}}$ to Output Low Z	0		0		0		ns	3
t _{EHQZ}	t _{HZ}	$\overline{\text{CE}}$ High to Output High Z		55		55		55	ns	3
t _{GLQX}	t _{OLZ}	$\overline{\text{OE}}$ to Output Low Z	0		0		0		ns	3
t _{GHQZ}	t _{DF}	$\overline{\text{OE}}$ High to Output High Z		30		30		30	ns	3
	t _{OH}	Output Hold from Addresses, $\overline{\text{CE}}$ or $\overline{\text{OE}}$ change, whichever is first	0		0		0		ns	3

NOTES:

1. See AC Input/Output Reference Waveform for timing measurements.
2. $\overline{\text{OE}}$ may be delayed up to t_{CE} - t_{OE} after the falling edge of $\overline{\text{CE}}$ without impact on t_{CE}.
3. Sampled, not 100% tested.
4. See High Speed AC Input/Output Reference Waveforms and High Speed AC Testing Load circuits for testing characteristics.
5. See AC Input/Output Reference Waveforms and AC Testing Load Circuits for testing characteristics.



28F008SA-12

Figure 8. AC Waveform for Read Operations

AC CHARACTERISTICS - Write Operations¹

SYMBOL		PARAMETER	LH28F008SA-85 ⁷ V _{CC} ± 5%		LH28F008SA-85 ⁸ V _{CC} ± 10%		LH28F008SA-12 ⁸ V _{CC} ± 10%		UNIT	NOTE
			MIN.	MAX.	MIN.	MAX.	MIN.	MAX.		
t _{AVAV}	t _{WC}	Write Cycle Time	85		90		120		ns	
t _{PHWL}	t _{PS}	$\overline{\text{PWD}}$ High Recovery to $\overline{\text{WE}}$ Going Low	1		1		1		μs	2
t _{ELWL}	t _{CS}	$\overline{\text{CE}}$ Setup to $\overline{\text{WE}}$ Going Low	10		10		10		ns	
t _{WLWH}	t _{WP}	$\overline{\text{WE}}$ Pulse Width	40		40		40		ns	
t _{VPWH}	t _{VPS}	V _{PP} Setup to $\overline{\text{WE}}$ Going High	100		100		100		ns	2
t _{AVWH}	t _{AS}	Address Setup to $\overline{\text{WE}}$ Going High	40		40		40		ns	3
t _{DVWH}	t _{OS}	Data Setup to $\overline{\text{WE}}$ Going High	40		40		40		ns	4
t _{WHDX}	t _{DH}	Data Hold from $\overline{\text{WE}}$ High	5		5		5		ns	
t _{WHAX}	t _{AH}	Address Hold from $\overline{\text{WE}}$ High	5		5		5		ns	
t _{WHEH}	t _{OH}	$\overline{\text{OE}}$ Hold from $\overline{\text{WE}}$ High	10		10		10		ns	
t _{WHWL}	t _{WHP}	$\overline{\text{WE}}$ Pulse Width High	30		30		30		ns	
t _{WHRL}		$\overline{\text{WE}}$ High to $\overline{\text{RY}}/\overline{\text{BY}}$ Going Low		100		100		100	ns	
t _{WHQV} ¹		Duration of Byte Write Operation	6		6		6		μs	
t _{WHQV} ²		Duration of Block Erase Operation	0.3		0.3		0.3		s	
t _{WHGL}		Write Recovery before Read	0		0		0		μs	
t _{QVVL}	t _{VPH}	V _{PP} Hold from Valid SRD, $\overline{\text{RY}}/\overline{\text{BY}}$ High	0		0		0		ns	

NOTES:

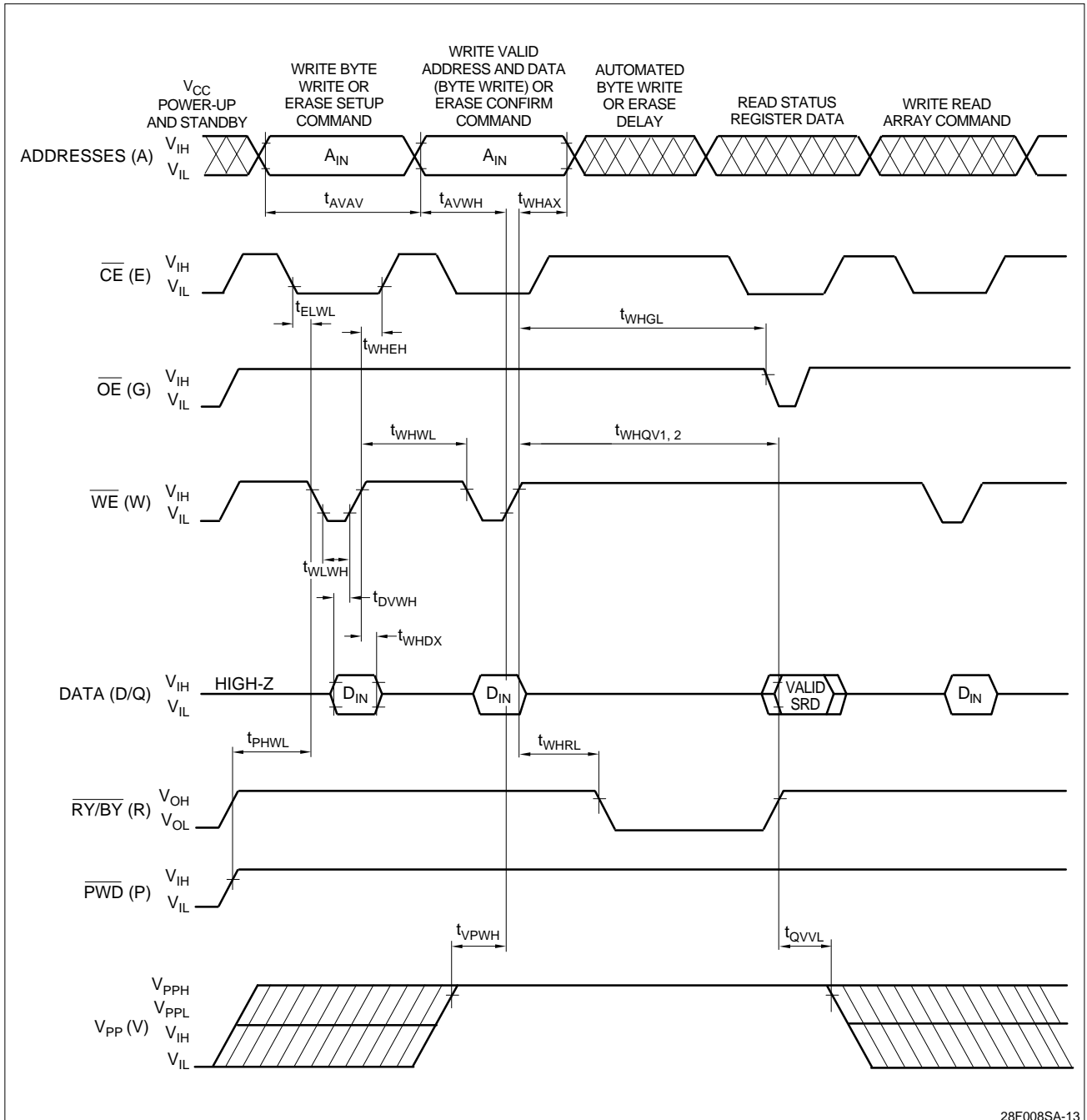
- Read timing characteristics during erase and byte write operations are the same as during read-only operations. Refer to AC Characteristics for Read-Only Operations.
- Sampled, not 100% tested.
- Refer to Command Definitions Table for Valid A_{IN} for byte write or block erasure.
- Refer to Command Definitions Table for valid D_{IN} for byte write or block erasure.
- The on-chip Write State Machine incorporates all byte write and block erase system functions and overhead of standard Intel flash memory, including byte program and verify (byte write) and block precondition, precondition verify, erase and erase verify (block erase).
- Byte write and block erase durations are measure to completion (SR.7 = 1. $\overline{\text{RY}}/\overline{\text{BY}} = V_{OH}$). V_{PP} should be held at V_{PPH} until determination of byte write/block erase success (SR.3/4/5 = 0).
- See High Speed AC Input/Output Reference Waveforms and High Speed AC Testing Load Circuits for testing characteristics.
- See AC Input/Output Reference Waveforms and AC Testing Load Circuits for testing characteristics.

BLOCK ERASE AND BYTE WRITE PERFORMANCE

PARAMETER	LH28F008SA-85			LH28F008SA-12			UNIT	NOTE
	TYP. ¹	MIN.	MAX.	TYP. ¹	MIN.	MAX.		
Block Erase Time	1.6		10	1.6		10	s	2
Block Write Time	0.6		2.1	0.6		2.1	s	2

NOTES:

1. 25°C, 12.0V_{PP}.
2. Excludes System-Level Overhead.



28F008SA-13

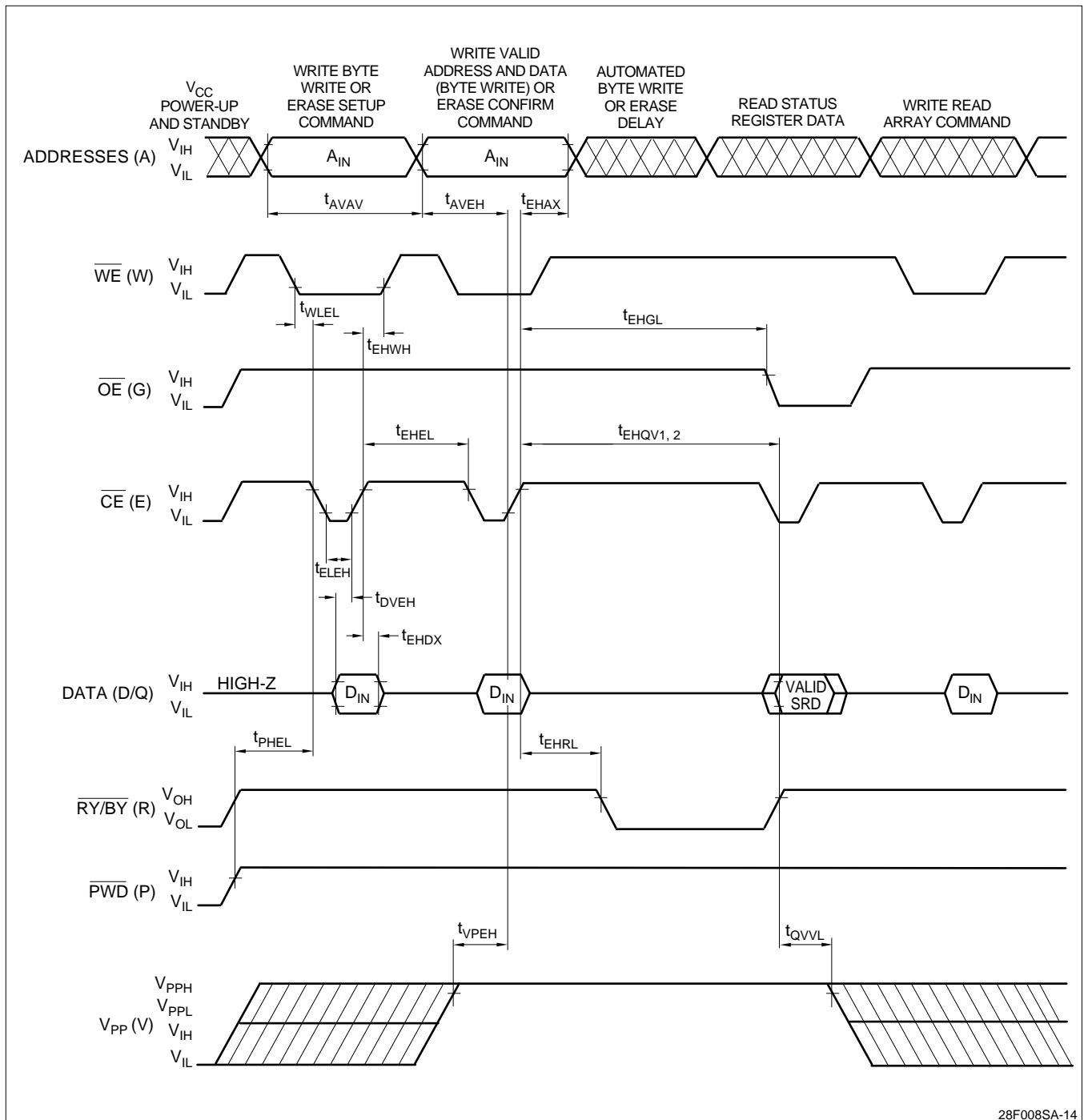
Figure 9. AC Waveform for Write Operations

ALTERNATIVE \overline{CE} - CONTROLLED WRITES

SYMBOL		PARAMETER	LH28F008SA-85 ⁶ $V_{CC} \pm 5\%$		LH28F008SA-85 ⁷ $V_{CC} \pm 10\%$		LH28F008SA-12 ⁷ $V_{CC} \pm 10\%$		UNIT	NOTE
			MIN.	MAX.	MIN.	MAX.	MIN.	MAX.		
t_{AVAV}	t_{WC}	Write Cycle Time	85		90		120		ns	
t_{PHEL}	t_{PS}	\overline{PWD} High Recovery to \overline{CE} Going Low	1		1		1		μ s	2
t_{WLEL}	t_{WS}	\overline{WE} Setup to \overline{CE} Going Low	0		0		0		ns	
t_{ELEH}	t_{CP}	\overline{CE} Pulse Width	50		50		50		ns	
t_{VPEH}	t_{VPS}	V_{PP} Setup to \overline{CE} Going High	100		100		100		ns	2
t_{AVEH}	t_{AS}	Address Setup to \overline{CE} Going High	40		40		40		ns	3
t_{DVEH}	t_{DS}	Data Setup to \overline{CE} Going High	40		40		40		ns	4
t_{EHDX}	t_{DH}	Data Hold from \overline{CE} High	5		5		5		ns	
t_{EHAX}	t_{AH}	Address Hold from \overline{CE} High	5		5		5		ns	
t_{EHWH}	t_{WH}	\overline{WE} Hold from \overline{CE} High	0		0		0		ns	
t_{EHEL}	t_{EPH}	\overline{CE} Pulse Width High	25		25		25		ns	
t_{EHRL}		\overline{CE} High to $\overline{RY}/\overline{BY}$ Going Low		100		100		100	ns	
t_{EHOV1}		Duration of Byte Write Operation	6		6		6		μ s	5
t_{EHOV2}		Duration of Block Erase Operation	0.3		0.3		0.3		s	5
t_{EHGL}		Write Recovery before Read	0		0		0		μ s	
t_{QVVL}	t_{VPH}	V_{PP} Hold from Valid SRD, $\overline{RY}/\overline{BY}$ High	0		0		0		ns	2, 5

NOTE:

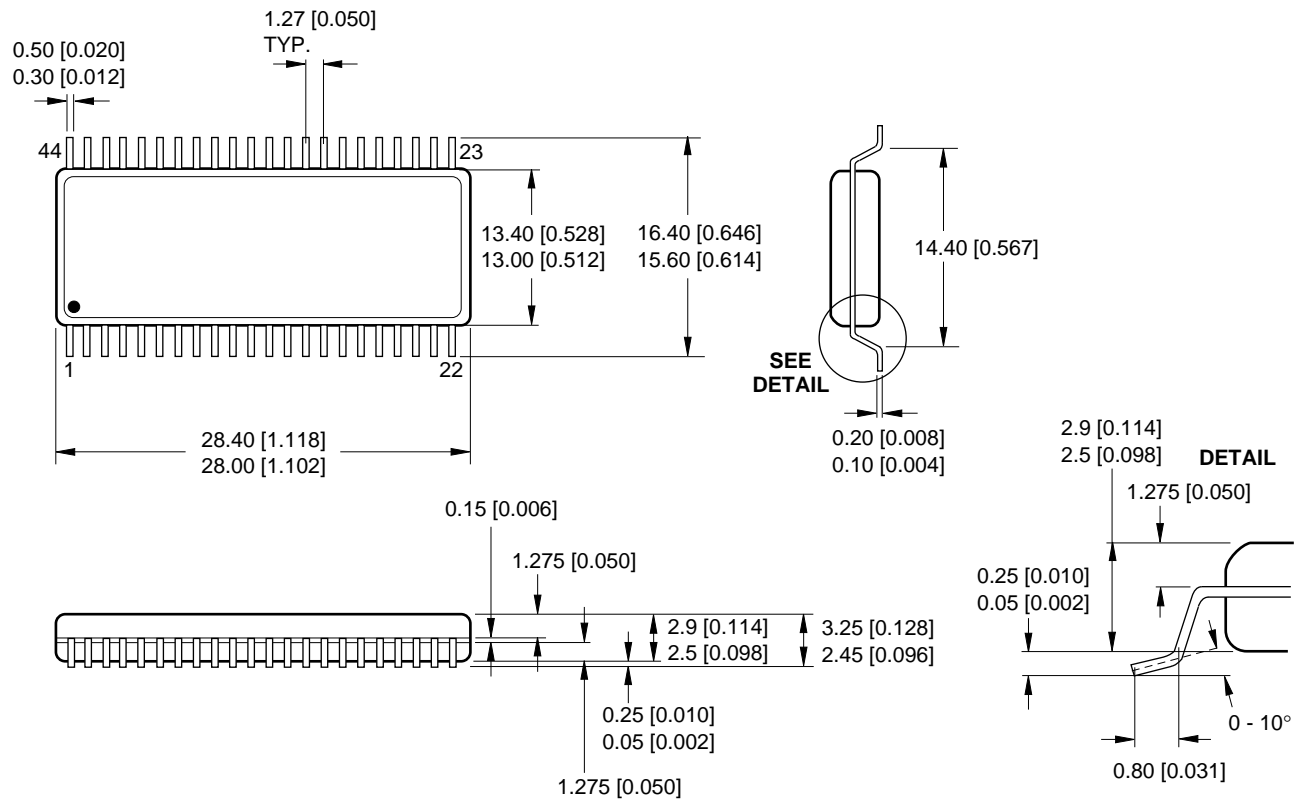
1. Chip-Enable Controlled Writes: Write operations are driven by the valid combinations of \overline{CE} and \overline{WE} . In systems where \overline{CE} defines the write pulsewidth (within a longer \overline{WE} timing waveform), all setup, hold and inactive \overline{WE} times should be measured relative to the \overline{CE} waveform.
2. Sampled, not 100% tested.
3. Refer to Command Definitions Table for valid A_{IN} for byte write or block erasure.
4. Refer to Command Definitions Table for valid D_{IN} for byte write or block erasure.
5. Byte write and block erase durations are measured to completion (SR.7 = 1, $\overline{RY}/\overline{BY} = V_{OH}$). V_{PP} should be held at V_{PPH} until determination of byte write/block erase success (SR.3/4/5 = 0).
6. See High Speed AC Input/Output Reference Waveforms and High Speed AC Testing Load Circuits for testing characteristics.
7. See AC Input/Output Reference Waveforms and AC Testing Load Circuits for testing characteristics.



28F008SA-14

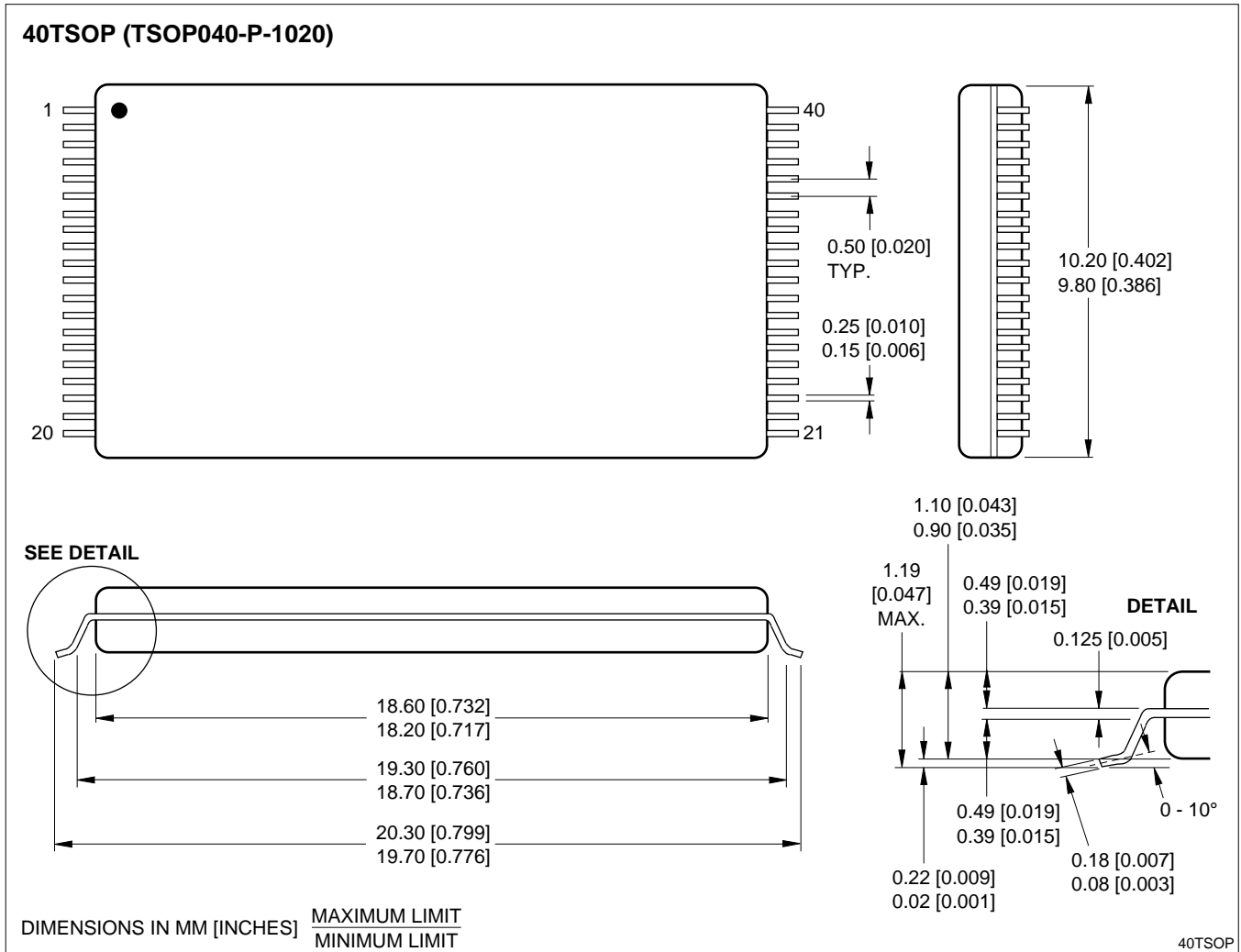
Figure 10. Alternate AC Waveform for Write Operations

44SOP (SOP044-P-0600)

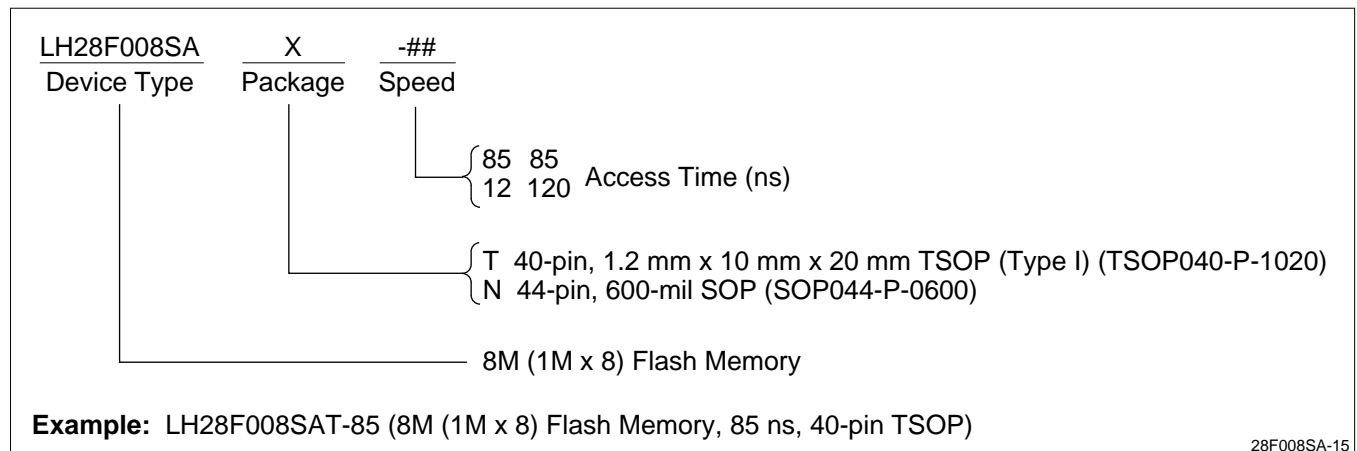


DIMENSIONS IN MM [INCHES] MAXIMUM LIMIT
MINIMUM LIMIT

44SOP



ORDERING INFORMATION



LIFE SUPPORT POLICY

SHARP components should not be used in medical devices with life support functions or in safety equipment (or similar applications where component failure would result in loss of life or physical harm) without the written approval of an officer of the SHARP Corporation.

WARRANTY

SHARP warrants to Customer that the Products will be free from defects in material and workmanship under normal use and service for a period of one year from the date of invoice. Customer's exclusive remedy for breach of this warranty is that SHARP will either (i) repair or replace, at its option, any Product which fails during the warranty period because of such defect (if Customer promptly reported the failure to SHARP in writing) or, (ii) if SHARP is unable to repair or replace, SHARP will refund the purchase price of the Product upon its return to SHARP. This warranty does not apply to any Product which has been subjected to misuse, abnormal service or handling, or which has been altered or modified in design or construction, or which has been serviced or repaired by anyone other than SHARP. The warranties set forth herein are in lieu of, and exclusive of, all other warranties, express or implied. ALL EXPRESS AND IMPLIED WARRANTIES OF MERCHANTABILITY, FITNESS FOR USE AND FITNESS FOR A PARTICULAR PURPOSE ARE SPECIFICALLY EXCLUDED.

SHARP reserves the right to make changes in specifications at any time and without notice. SHARP does not assume any responsibility for the use of any circuitry described; no circuit patent licenses are implied.

SHARP[®]**NORTH AMERICA**

SHARP Electronics Corporation
Microelectronics Group
5700 NW Pacific Rim Blvd., M/S 20
Camas, WA 98607, U.S.A.
Phone: (360) 834-2500
Telex: 49608472 (SHARPCAM)
Facsimile: (360) 834-8903
<http://www.sharpmeg.com>

EUROPE

SHARP Electronics (Europe) GmbH
Microelectronics Division
SonninstraÙe 3
20097 Hamburg, Germany
Phone: (49) 40 2376-2286
Telex: 2161867 (HEEG D)
Facsimile: (49) 40 2376-2232

ASIA

SHARP Corporation
Integrated Circuits Group
2613-1 Ichinomoto-Cho
Tenri-City, Nara, 632, Japan
Phone: (07436) 5-1321
Telex: LABOMETA-B J63428
Facsimile: (07436) 5-1532