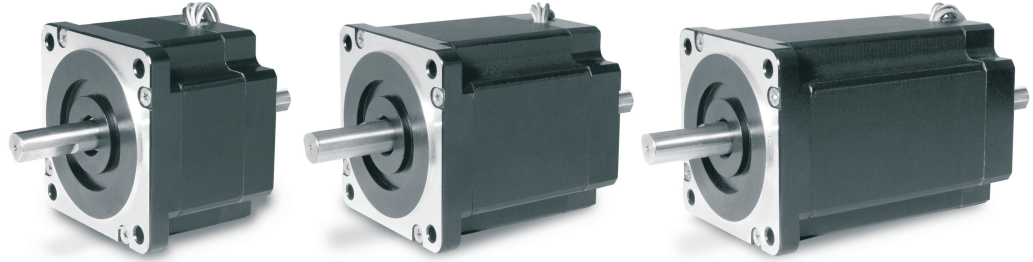


Rotary Hybrid Stepping Motor 1.8°

SIZE
34
3.38"
DIA

High Torque



EADmotors Size 34 hybrid DC stepping motors are precision bi-directional devices with position accuracy of $\pm 3\%$ non-cumulative.

Motors are totally enclosed with permanently lubricated ball bearings.

Standard motors have 4 or 6 leads. Motors with 5 or 8 leads can be furnished to meet existing applications.

EADmotors specializes in meeting the individual requirements of each application and offers engineering assistance for your design requirements.

Electrical Ratings

Model Number	Number of Leads	Unipolar Connection					Bipolar Connection				
		Phase Voltage (VDC)	Phase Current (amps)	Phase Resistance (ohms)	Phase Inductance (mH)	Holding Torque (oz-in)	Phase Voltage (VDC)	Phase Current (amps)	Phase Resistance (ohms)	Phase Inductance (mH)	Holding Torque (oz-in)
LH3427-2	6	5.04	2.00	2.52	10.90	305	7.11	1.41	5.04	43.70	396
LH3427-3	6	3.00	3.00	1.00	4.34	305	4.24	2.12	2.00	17.40	396
LH3427-4	6	2.25	4.50	0.50	2.17	305	3.00	3.00	1.00	8.67	396
LH3427-M200	4						5.04	2.00	2.52	21.90	396
LH3427-M300	4						3.00	3.00	1.00	8.67	396
LH3427-M500	4						2.00	5.00	0.40	3.44	396
LH3439-2	6	7.86	2.00	3.93	17.10	610	11.08	1.41	7.86	68.50	793
LH3439-3	6	4.68	3.00	1.56	6.80	610	6.61	2.12	3.12	27.20	793
LH3439-4	6	3.51	4.50	0.78	3.40	610	4.68	3.00	1.56	13.60	793
LH3439-M200	4						7.86	2.00	3.93	34.30	793
LH3439-M300	4						4.68	3.00	1.56	13.60	793
LH3439-M500	4						3.10	5.00	0.62	5.39	793
LH3450-2	6	8.66	2.00	4.33	22.2	916	12.22	1.41	8.67	88.70	1190
LH3450-3	6	5.18	3.00	1.72	8.6	916	7.29	2.12	3.44	35.20	1190
LH3450-4	6	3.87	4.50	0.86	4.4	916	5.16	3.00	1.72	17.60	1190
LH3450-M200	4						8.66	2.00	4.33	44.30	1190
LH3450-M300	4						5.16	3.00	1.72	17.60	1190
LH3450-M500	4						3.40	5.00	0.68	6.98	1190

Model Number	Rotor Inertia (oz-in-sec ²)	Weight (ounces)
LH3427-*	.0198	61.7
LH3439-*	.0382	98.8
LH3450-*	.0566	138.6

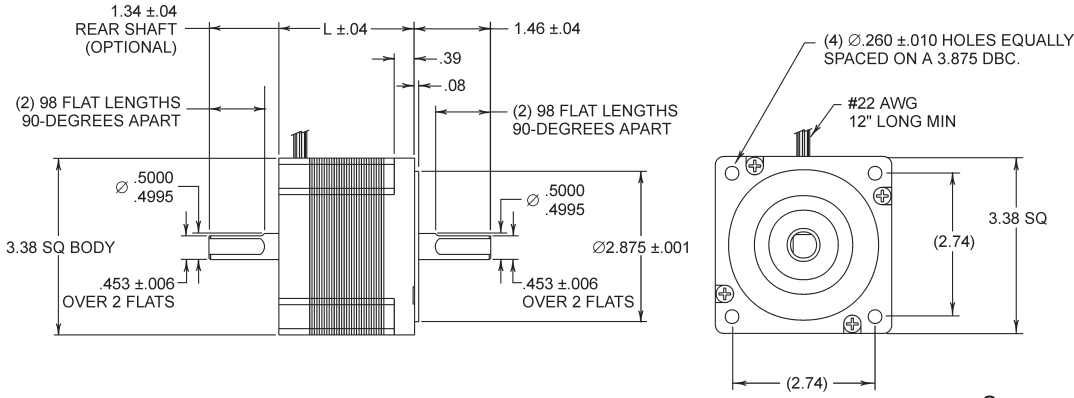
Solutions in motion



Rotary Hybrid Stepping Motor 1.8°

High Torque

SIZE
34
3.38"
DIA



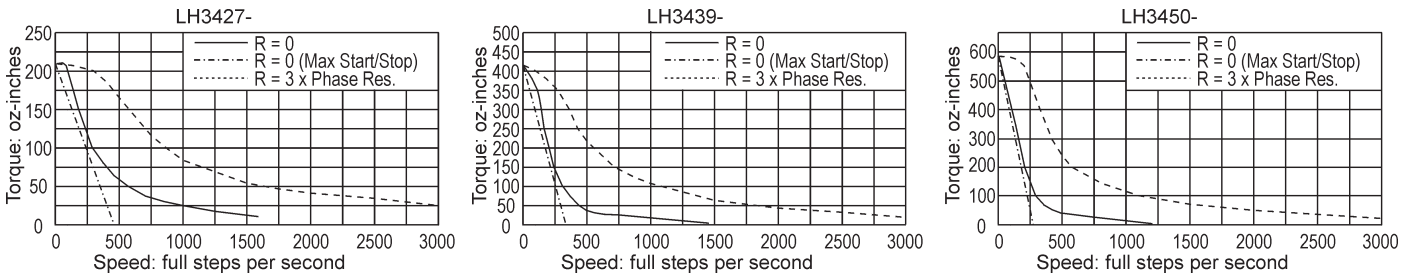
Size 34	
Model Series	Dimension "L" (inches)
LH3427	2.60
LH3439	3.78
LH3450	4.96

See page 38 for Connection Diagrams.

For the rear shaft option, use the suffix "R" (for example, LH3427-1R).

Pullout Torque Speed Curves

Typical Unipolar Performance (6 Lead Motor): Constant Voltage Drive (L/R), 2 Phase On



Typical Bipolar Performance: 80 VDC Power Supply, 3 Amps/Phase

