

LH5164AVH

CMOS 64K (8K × 8) Static RAM

FEATURES

- 8,192 × 8 bit organization
- Access time: 200 ns (MAX.)
- Supply current (MAX.):
 - Operating: 90 mW
 - 29 mW (t_{RC} , $t_{WC} = 1 \mu s$)
 - Standby: 3.6 μW (MAX.) @ 70°C
 - 10.8 μW (MAX.) @ 85°C
- Data retention:
 - 0.6 μW ($V_{CC} = 3 V$, $t_A = 25^\circ C$)
- Low voltage operation: 3.3 V $\pm 0.3 V$
- Fully-static operation
- TTL compatible I/O
- Three-state outputs
- Packages:
 - 28-pin, 450-mil SOP
 - 28-pin, 8 × 13 mm² TSOP (Type I)

DESCRIPTION

The LH5164AVH is a static RAM organized as 8,192 × 8 bits. It is fabricated using silicon-gate CMOS process technology.

PIN CONNECTIONS

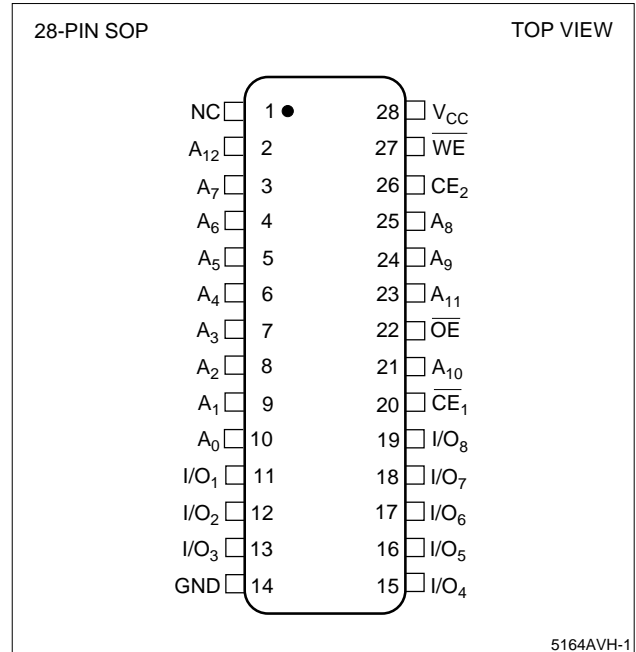


Figure 1. Pin Connections for SOP Package

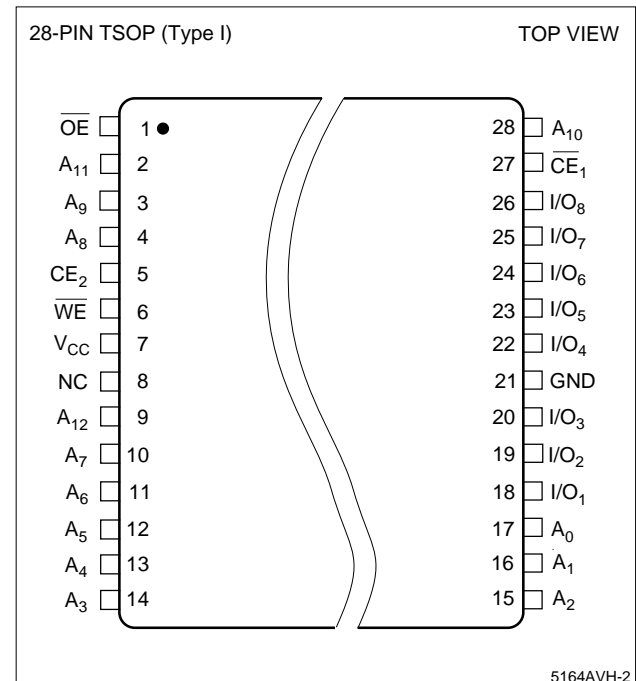


Figure 2. Pin Connections for TSOP Package

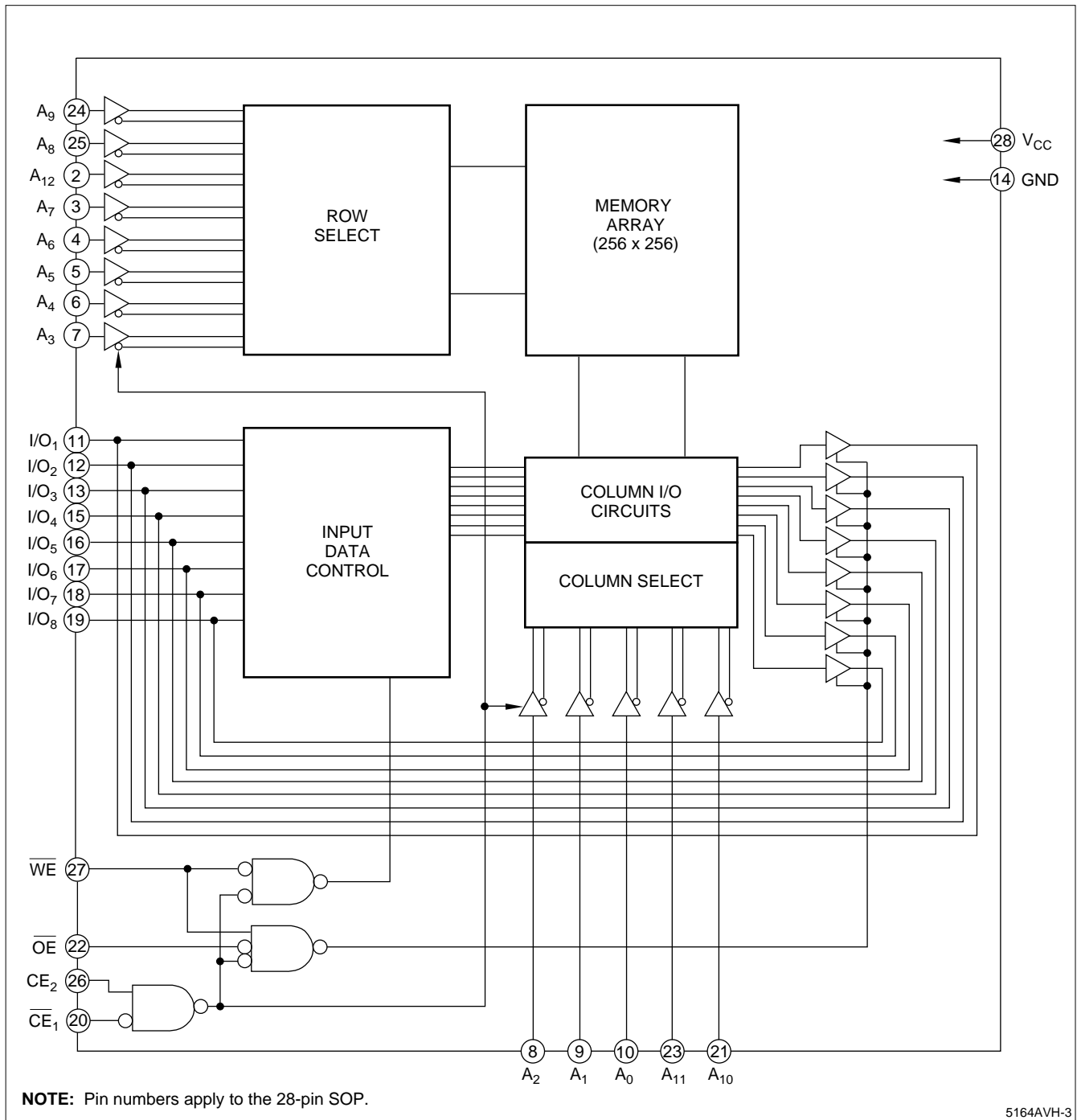


Figure 3. LH5164AVH Block Diagram

PIN DESCRIPTION

| SIGNAL | PIN NAME |
|----------------------------------|---------------------|
| A ₀ - A ₁₂ | Address inputs |
| CE ₁ /CE ₂ | Chip Enable input |
| WE | Write Enable input |
| OE | Output Enable input |

| SIGNAL | PIN NAME |
|-------------------------------------|-------------------------|
| I/O ₁ - I/O ₈ | Data inputs and outputs |
| V _{CC} | Power supply |
| GND | Ground |
| NC | No connection |

TRUTH TABLE

| \overline{CE}_1 | CE_2 | \overline{WE} | \overline{OE} | MODE | I/O ₁ - I/O ₈ | SUPPLY CURRENT | NOTE |
|-------------------|--------|-----------------|-----------------|----------------|-------------------------------------|------------------------|------|
| H | X | X | X | Standby | High-Z | Standby (I_{SB}) | 1 |
| X | L | X | X | | | | |
| L | H | L | X | Write | Data input | Operating (I_{CC}) | 1 |
| L | H | H | L | Read | Data output | Operating (I_{CC}) | |
| L | H | H | H | Output disable | High-Z | Operating (I_{CC}) | |

NOTE:

- X = H or L

ABSOLUTE MAXIMUM RATINGS

| PARAMETER | SYMBOL | RATING | UNIT | NOTE |
|-----------------------|-----------|------------------------|------|------|
| Supply voltage | V_{CC} | -0.3 to +7.0 | V | 1 |
| Input voltage | V_{IN} | -0.3 to $V_{CC} + 0.3$ | V | 1, 2 |
| Operating temperature | T_{opr} | -40 to +85 | °C | |
| Storage temperature | T_{stg} | -65 to +150 | °C | |

NOTES:

- The maximum applicable voltage on any pin with respect to GND.
- V_{IN} (MIN.) = -3.0 V for pulse width ≤ 50 ns.

RECOMMENDED OPERATING CONDITIONS ($T_A = -40^\circ\text{C}$ to $+85^\circ\text{C}$)

| PARAMETER | SYMBOL | MIN. | TYP. | MAX. | UNIT | NOTE |
|----------------|----------|----------------|------|----------------|------|------|
| Supply voltage | V_{CC} | 3.0 | 3.3 | 3.6 | V | |
| Input voltage | V_{IH} | $V_{CC} - 0.5$ | | $V_{CC} + 0.3$ | V | |
| | V_{IL} | -0.3 | | 0.2 | V | 1 |

NOTE:

- V_{IL} (MIN.) = -3.0 V for pulse width ≤ 50 ns.

DC CHARACTERISTICS¹ ($T_A = -40^\circ\text{C}$ to $+85^\circ\text{C}$, $V_{CC} = 3.3\text{ V} \pm 0.3\text{ V}$)

| PARAMETER | SYMBOL | CONDITIONS | MIN. | MAX. | UNIT | NOTE |
|--------------------------|-----------|--|--------------------------------------|------|------|------|
| Input leakage current | I_{LI} | $V_{IN} = 0\text{ V to }V_{CC}$ | -1.0 | 1.0 | μA | |
| Output leakage current | I_{LO} | $\overline{CE}_1 = V_{IH}$ or $CE_2 = V_{IL}$ or $OE = V_{IH}$ or $WE = V_{IL}$ $V_{IO} = 0\text{ to }V_{CC}$ | -1.0 | 1.0 | μA | |
| Operating supply current | I_{CC} | $\overline{CE}_1 = 0.2\text{ V}$, $V_{IN} = 0.2\text{ V}$, or $V_{CC} - 0.2\text{ V}$ $CE_2 = V_{CC} - 0.2\text{ V}$, Outputs open | $t_{CYCLE} = 200\text{ ns}$ | 25 | mA | |
| | | | $t_{CYCLE} = 1.0\text{ }\mu\text{s}$ | 8 | | |
| Standby current | I_{SB} | $CE_2 \leq 0.2\text{ V}$ or $\overline{CE}_1 \geq V_{CC} - 0.2\text{ V}$ | $T_A \leq +70^\circ\text{C}$ | 1.0 | μA | 1 |
| | | | $T_A \leq +85^\circ\text{C}$ | 3.0 | | |
| Output voltage | I_{SB1} | $\overline{CE}_1 = V_{IH}$ or $CE_2 = V_{IL}$ | | 5 | mA | |
| | V_{OL} | $I_{OL} = 500\text{ }\mu\text{A}$ | | 0.4 | V | |
| | V_{OH} | $I_{OH} = -500\text{ }\mu\text{A}$ | $V_{CC} - 0.5$ | | V | |

NOTE:

- CE_2 should be $\geq V_{CC} - 0.2\text{ V}$ or $\leq 0.2\text{ V}$ when $\overline{CE}_1 \geq V_{CC} - 0.2\text{ V}$.

READ CYCLE ($T_A = -40^\circ\text{C}$ to $+85^\circ\text{C}$, $V_{CC} = 3.3\text{ V} \pm 0.3\text{ V}$)

| PARAMETER | SYMBOL | MIN. | MAX. | UNIT |
|--|------------|------|------|------|
| Read cycle time | t_{RC} | 200 | | ns |
| Address access time | t_{AA} | | 200 | ns |
| CE ₁ access time | t_{ACE1} | | 200 | ns |
| CE ₂ access time | t_{ACE2} | | 200 | ns |
| Output enable access time | t_{OE} | | 150 | ns |
| Output hold time | t_{OH} | 10 | | ns |
| CE ₁ Low to output in Low-Z | t_{LZ1} | 20 | | ns |
| CE ₂ High to output in Low-Z | t_{LZ2} | 20 | | ns |
| OE Low to output in Low-Z | t_{OLZ} | 10 | | ns |
| CE ₁ High to output in High-Z | t_{HZ1} | 0 | 60 | ns |
| CE ₂ Low to output in High-Z | t_{HZ2} | 0 | 60 | ns |
| OE High to output in High-Z | t_{OHZ} | 0 | 40 | ns |

WRITE CYCLE ($T_A = -40^\circ\text{C}$ to $+85^\circ\text{C}$, $V_{CC} = 3.3\text{ V} \pm 0.3\text{ V}$)

| PARAMETER | SYMBOL | MIN. | MAX. | UNIT |
|-------------------------------|-----------|------|------|------|
| Write cycle time | t_{WC} | 200 | | ns |
| CE Low to end of write | t_{CW} | 180 | | ns |
| Address valid to end of write | t_{AW} | 180 | | ns |
| Address setup time | t_{AS} | 0 | | ns |
| Write pulse width | t_{WP} | 150 | | ns |
| Write recovery time | t_{WR} | 0 | | ns |
| Input data setup time | t_{DW} | 100 | | ns |
| Input data hold time | t_{DH} | 0 | | ns |
| WE High to output in Low-Z | t_{OW} | 20 | | ns |
| WE Low to output in High-Z | t_{WZ} | 0 | 60 | ns |
| OE High to output in High-Z | t_{OHZ} | 0 | 40 | ns |

TEST CONDITIONS

| PARAMETER | MODE | NOTE |
|---------------------------|----------------------------------|------|
| Input pulse level | 0.2 V to $V_{CC} - 0.2\text{ V}$ | |
| Input rise/fall time | 10 ns | |
| Input/output timing level | 1.5 V | |
| Output load | C_L (100 pF) | 1 |

NOTE:

- Includes scope and jig capacitance.

CAPACITANCE ¹ ($T_A = 25^\circ\text{C}$, $f = 1\text{ MHz}$)

| PARAMETER | SYMBOL | CONDITIONS | MIN. | TYP. | MAX. | UNIT |
|-------------------|-----------|------------------------|------|------|------|------|
| Input capacitance | C_{IN} | $V_{IN} = 0\text{ V}$ | | | 7 | pF |
| I/O capacitance | $C_{I/O}$ | $V_{I/O} = 0\text{ V}$ | | | 10 | pF |

NOTE:

- This parameter is sampled and not production tested.

DATA RETENTION CHARACTERISTICS (T_A = -40°C to +85°C)

| PARAMETER | SYMBOL | CONDITIONS | MIN. | MAX. | UNIT | NOTE |
|--------------------------------|-------------------|---|-----------------------|------|------|------|
| Data retention supply voltage | V _{CCDR} | CE ₂ ≤ 0.2 V or CE ₁ ≥ V _{CCDR} - 0.2 V | 2.0 | | V | 1 |
| Data retention supply current | I _{CCDR} | V _{CCDR} = 3 V, CE ₂ ≤ 0.2 V or CE ₁ ≥ V _{CCDR} - 0.2 V | T _A = 25°C | 0.2 | μA | 1 |
| | | | T _A = 70°C | 0.6 | μA | |
| | | | | 1.5 | μA | |
| Chip disable to data retention | t _{CDR} | | 0 | | ns | |
| Recovery time | t _R | | t _{RC} | | ns | 2 |

NOTES:

1. CE₂ should be ≥ V_{CCDR} - 0.2 V or ≤ 0.2 V.
2. t_{RC} = Read cycle time.

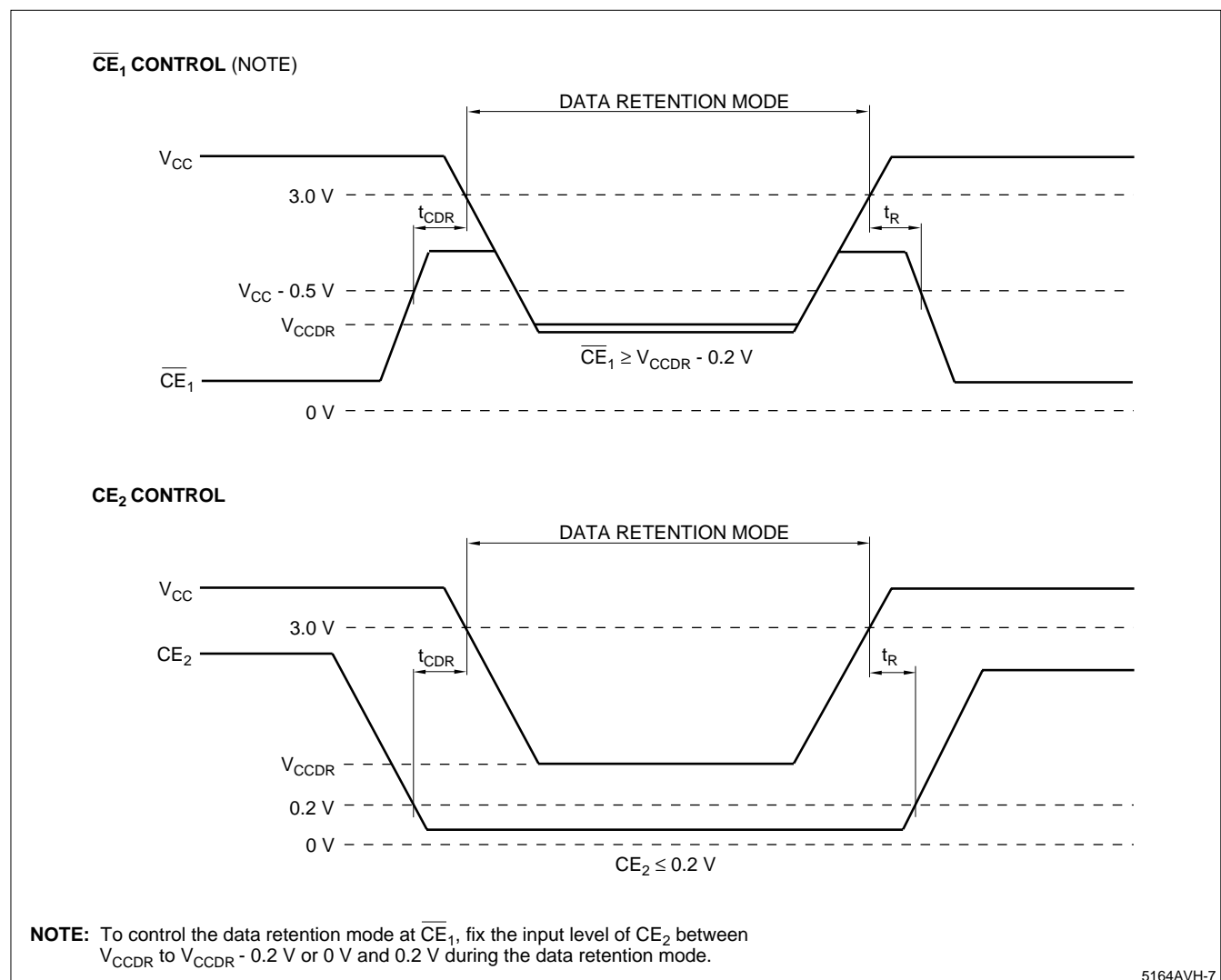


Figure 4. Data Retention Characteristics

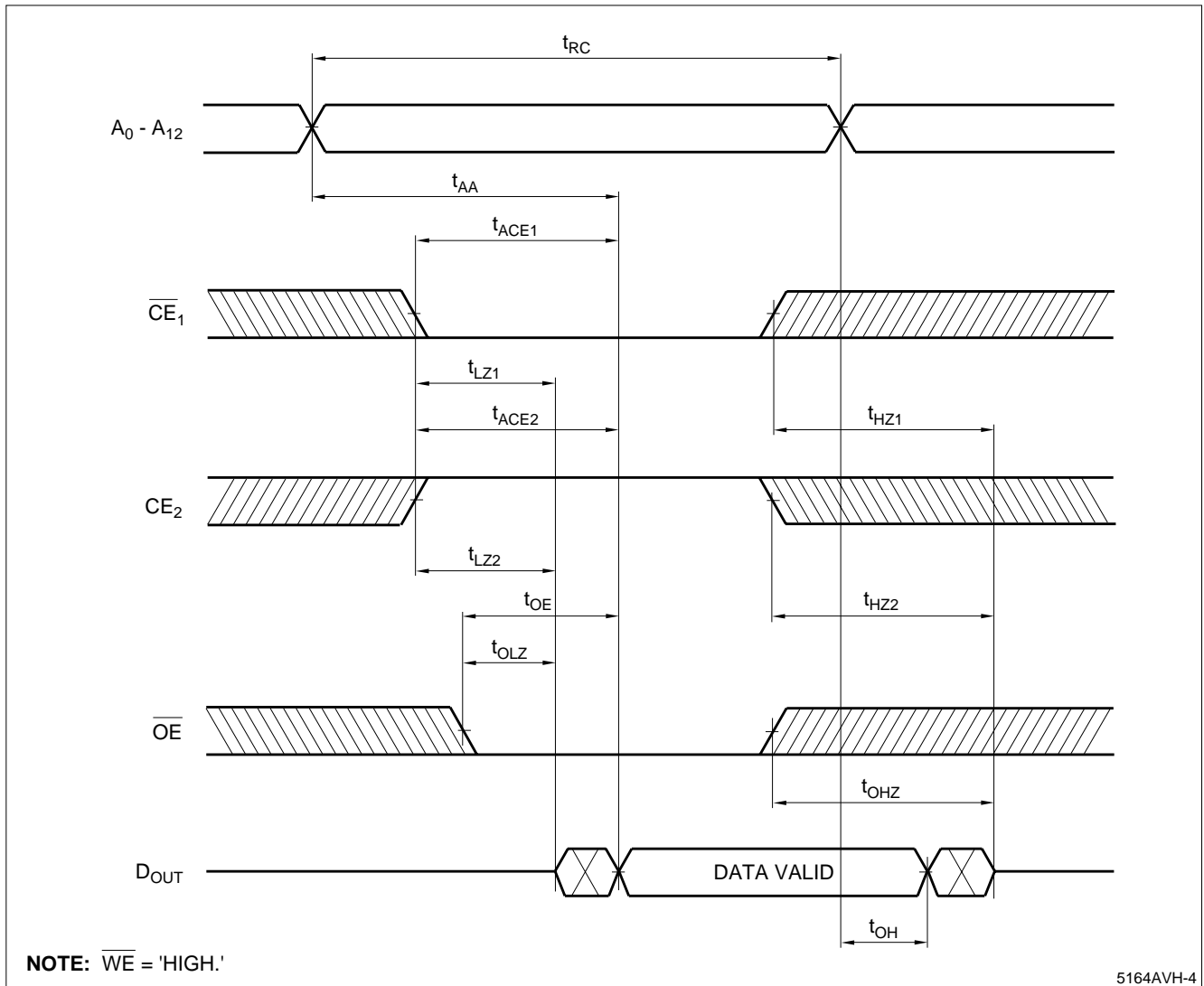
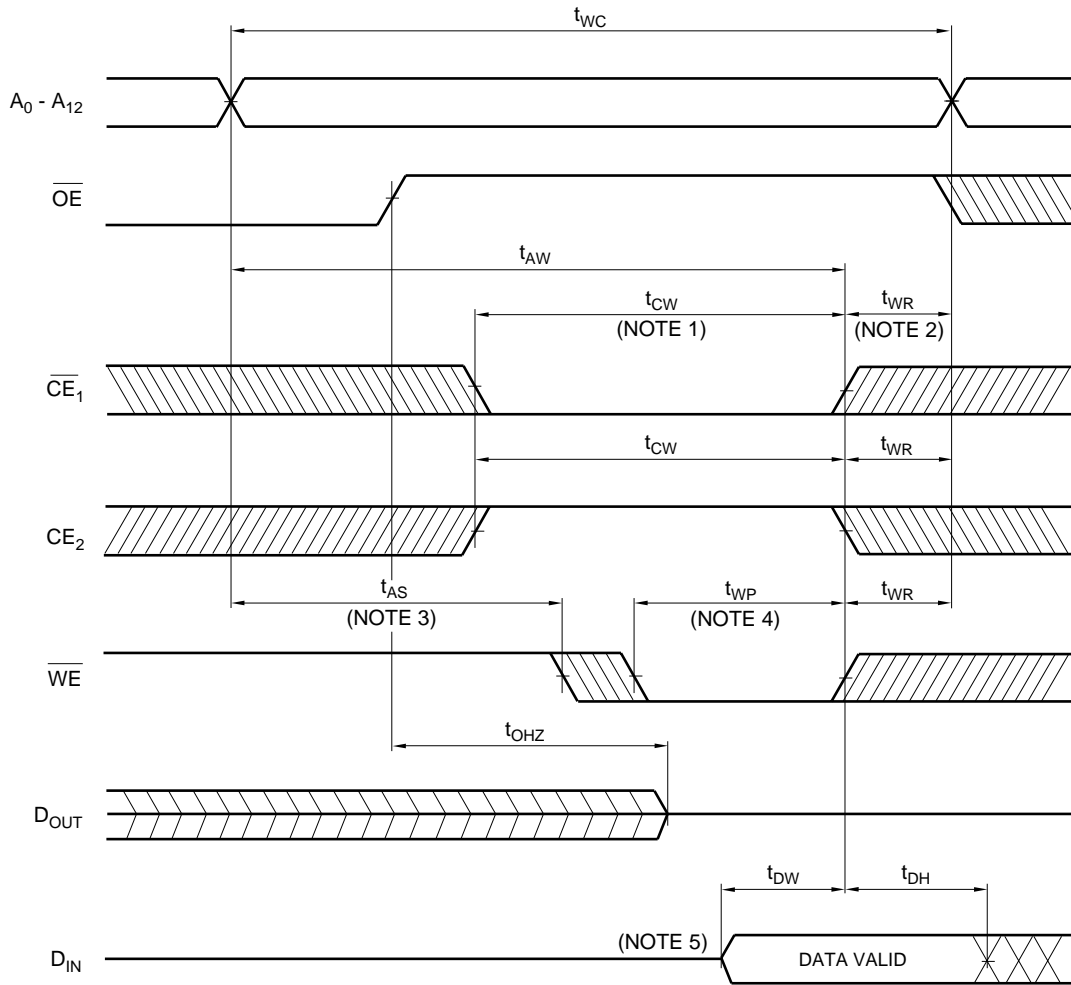


Figure 5. Read Cycle

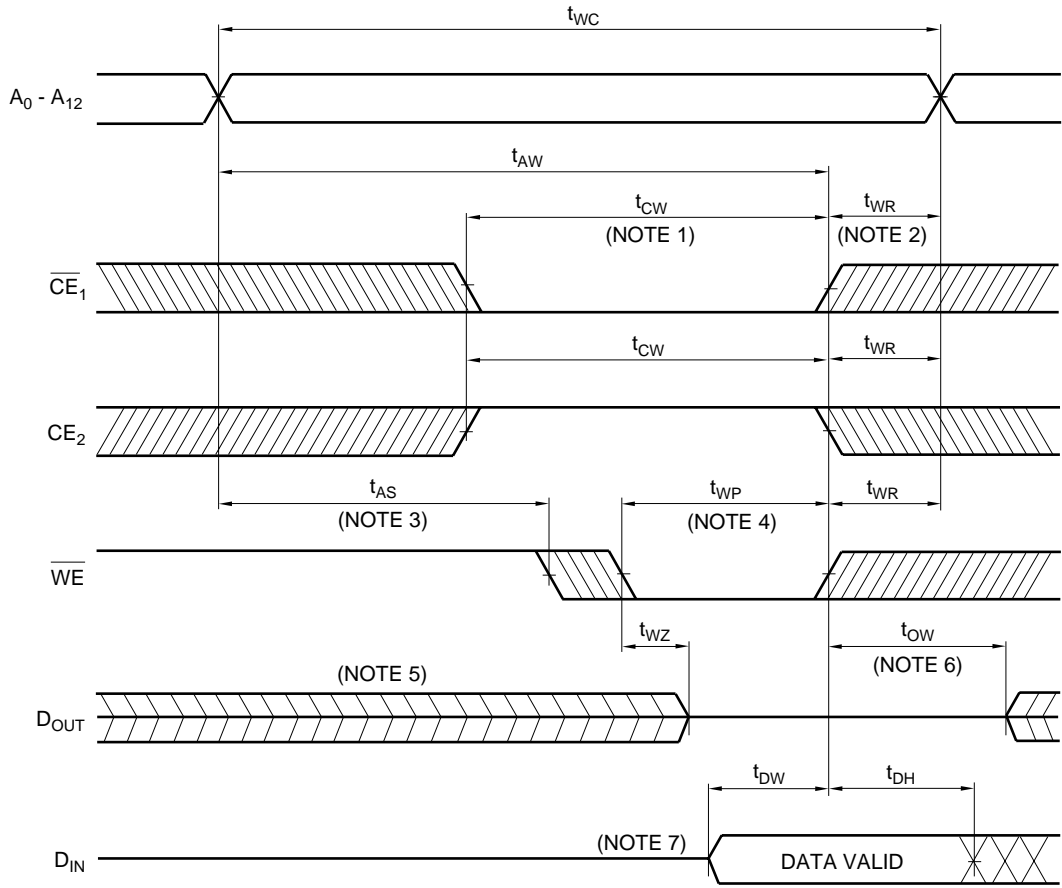


NOTES:

- t_{CW} is defined as the time from the last occurring transition, either \overline{CE}_1 LOW transition or CE_2 HIGH transition, to the time when the writing is finished.
- t_{WR} is defined as the time from writing finish to address change.
- t_{AS} is defined as the time from address change to writing start.
- The writing occurs during an overlapping period of $\overline{CE}_1 = \text{'LOW'}$, $CE_2 = \text{'HIGH'}$, and $\overline{WE} = \text{'LOW'}$ (t_{WP}).
- When I/O pins are in the output state, input signals with the opposite logic level must not be applied.

5164AVH-5

Figure 6. Write Cycle (\overline{OE} Controlled)



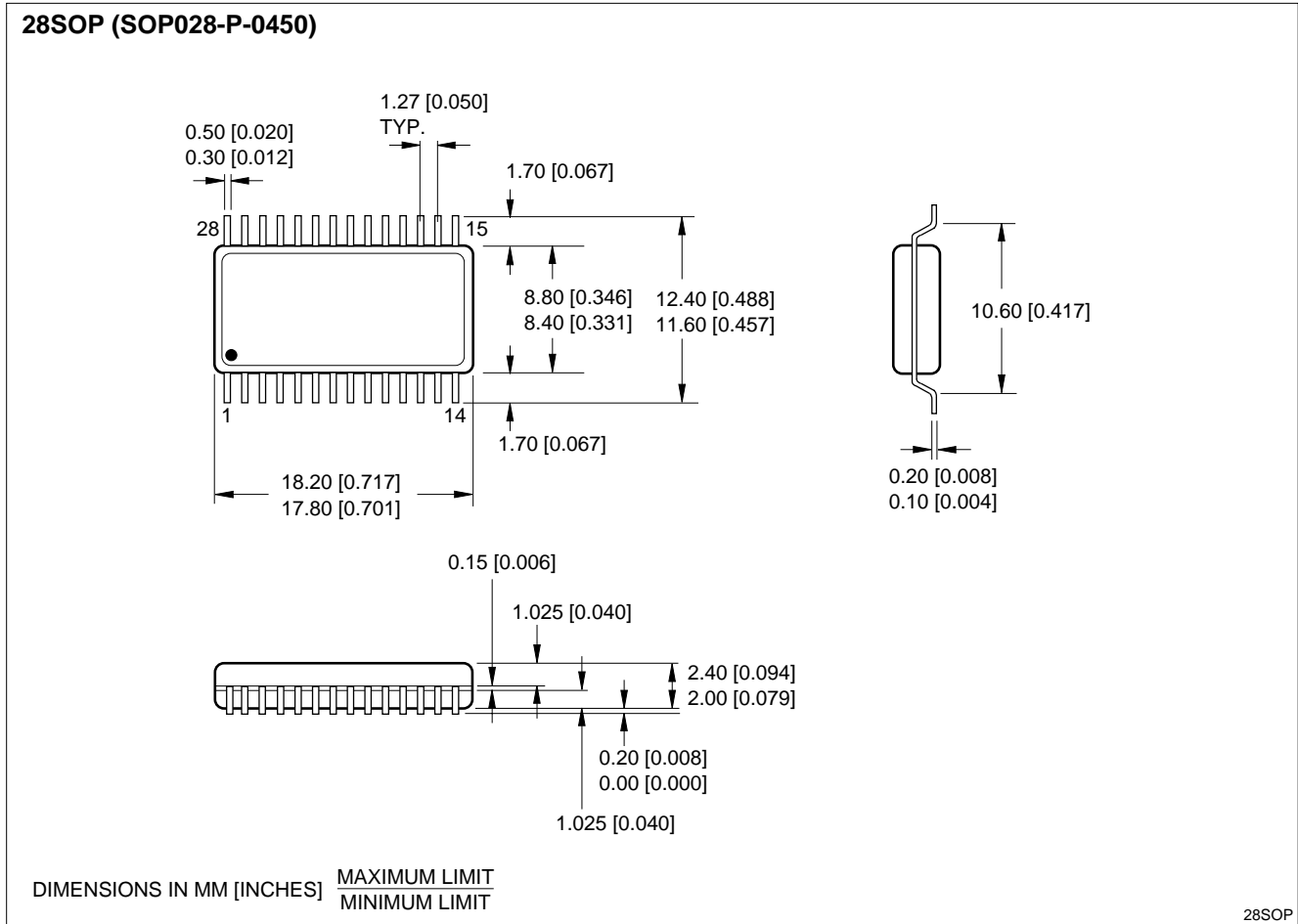
NOTES:

1. t_{CW} is defined as the time from the last occurring transition, either \overline{CE}_1 LOW transition or CE_2 HIGH transition, to the time when the writing is finished.
2. t_{WR} is defined as the time from writing finish to address change.
3. t_{AS} is defined as the time from address change to writing start.
4. The writing occurs during an overlapping period of $\overline{CE}_1 = \text{'LOW'}$, $CE_2 = \text{'HIGH'}$, and $\overline{WE} = \text{'LOW'}$ (t_{WP}).
5. If \overline{CE}_1 LOW transition or CE_2 HIGH transition occurs at the same time or after \overline{WE} LOW transition, the outputs will remain high-impedance.
6. If \overline{CE}_1 HIGH transition or CE_2 LOW transition occurs at the same time or before \overline{WE} HIGH transition, the outputs will remain high-impedance.
7. When I/O pins are in the output state, input signals with the opposite logic level must not be applied.

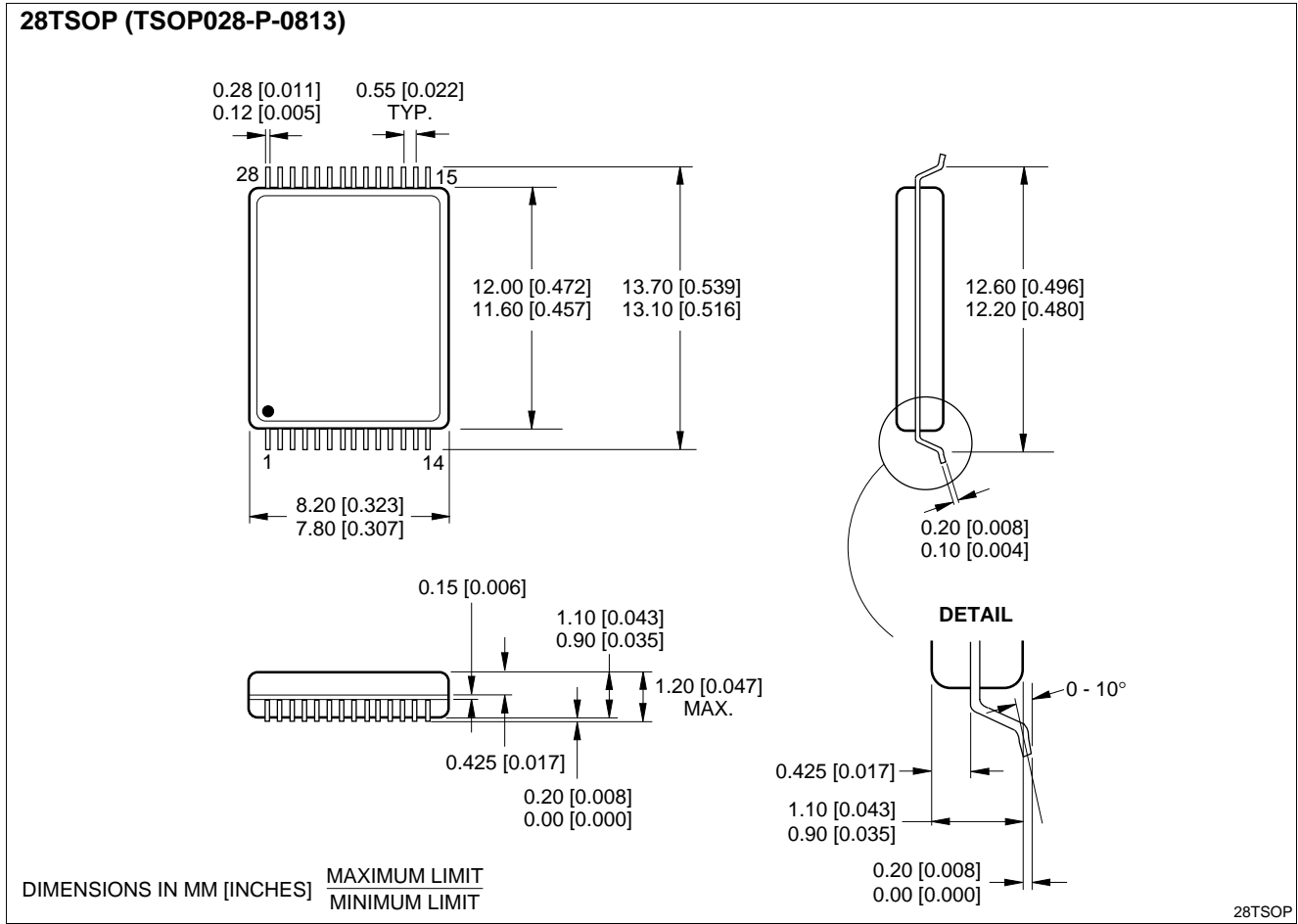
5164AVH-6

Figure 7. Write Cycle (OE Low Fixed)

PACKAGE DIAGRAMS



28-pin, 450-mil SOP



28-pin, 8 × 13 mm² TSOP (Type I)

ORDERING INFORMATION

