

LH52D1000

CMOS 1M (128K × 8) Static Ram

FEATURES

- Access time: 85 ns (MAX.),
100 ns (MAX.)
- Current consumption:
Operating: 40 mA (MAX.)
6 mA (MAX.) (t_{RC} , $t_{WC} = 1 \mu s$)
Standby: 45 μA (MAX.)
- Data Retention:
1.0 μA (MAX. $V_{CCDR} = 3 V$, $t_A = 25^\circ C$)
- Single power supply: 2.7 V to 3.6 V
- Operating temperature: $-40^\circ C$ to $+85^\circ C$
- Fully-static operation
- Three-state output
- Not designed or rated as radiation hardened
- Packages:
32-pin $8 \times 20 \text{ mm}^2$ TSOP
32-pin $8 \times 13.4 \text{ mm}^2$ STSOP
- N-type bulk silicon

DESCRIPTION

The LH52D1000 is a static RAM organized as $131,072 \times 8$ bits which provides low-power standby mode. It is fabricated using silicon-gate CMOS process technology.

PIN CONNECTIONS

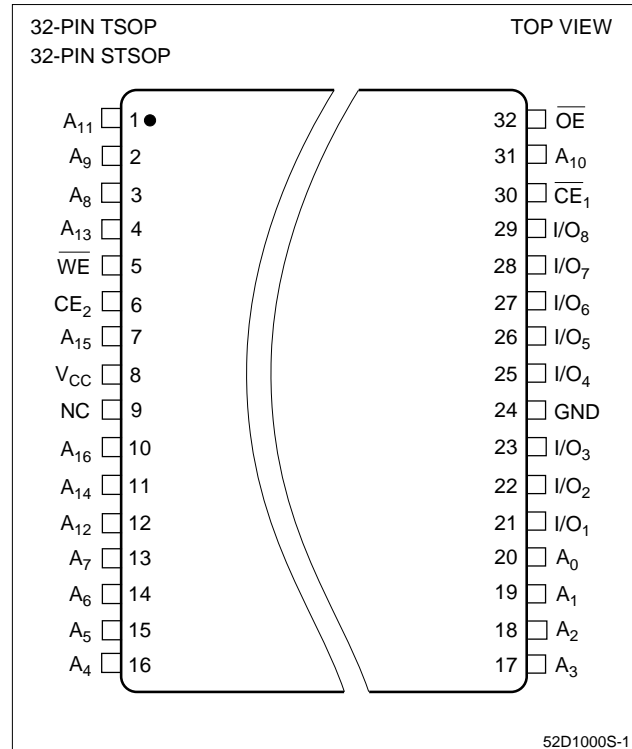


Figure 1. Pin Connections for TSOP and STSOP Packages

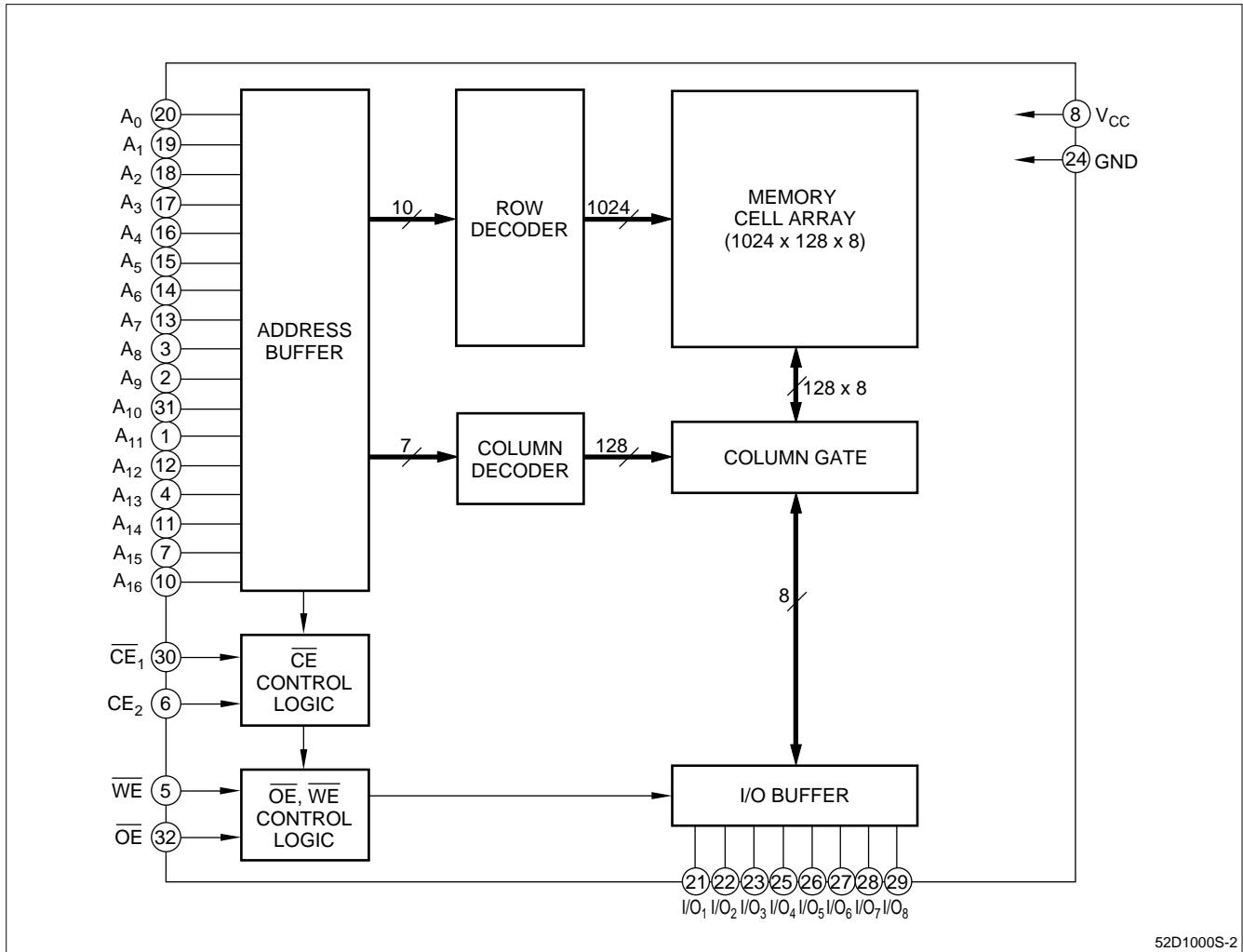


Figure 2. LH52D1000 Block Diagram

PIN DESCRIPTION

SIGNAL	PIN NAME
A ₀ – A ₁₆	Address inputs
CE ₁	Chip enable 1
CE ₂	Chip enable 2
WE	Write enable
OE	Output enable

SIGNAL	PIN NAME
I/O ₁ – I/O ₈	Data inputs and outputs
V _{CC}	Power supply
GND	Ground
NC	No connection

TRUTH TABLE

\overline{CE}_1	CE_2	\overline{WE}	\overline{OE}	MODE	I/O ₁ – I/O ₈	SUPPLY CURRENT	NOTE
H	—	—	—	Standby	High impedance	Standby (I _{SB})	1
—	L	—	—				
L	H	L	—	Write	Data input	Active (I _{CC})	1
L	H	H	L	Read	Data output	Active (I _{CC})	—
L	H	H	H	Output disable	High impedance	Active (I _{CC})	—

NOTE:

- = Don't care
L = Low
H = High

ABSOLUTE MAXIMUM RATINGS

PARAMETER	SYMBOL	RATING	UNIT	NOTE
Supply voltage	V _{CC}	-0.3 to +4.6	V	1
Input voltage	V _{IN}	-0.3 to V _{CC} + 0.3	V	1, 2
Operating temperature	T _{OPR}	-40 to +85	°C	—
Storage temperature	T _{STG}	-55 to +150	°C	—

NOTE:

- The maximum applicable voltage on any pin with respect to GND.
- Undershoot of -3.0 V is allowed width of pulse below 50 ns.

RECOMMENDED DC OPERATING CONDITIONS (T_A = -40°C to +85°C)

PARAMETER	SYMBOL	MIN.	TYP.	MAX.	UNIT	NOTE
Supply voltage	V _{CC}	2.7	3.0	3.6	V	—
Input voltage	V _{IH}	2.0	—	V _{CC} + 0.3	V	—
	V _{IL}	-0.3	—	0.6	V	1

NOTE:

- Undershoot of -3.0 V is allowed width of pulse below 50 ns.

DC ELECTRICAL CHARACTERISTICS (T_A = -25°C to +85°C, V_{CC} = 2.7 V to 3.6 V)

PARAMETER	SYMBOL	CONDITIONS	MIN.	TYP.	MAX.	UNIT
Input leakage current	I _{LI}	V _{IN} = 0 to V _{CC}	-1.0	—	1.0	μA
Output leakage current	I _{LO}	CE ₁ = V _{IH} or CE ₂ = V _{IL} or OE = V _{IH} or WE = V _{IL} V _{I/O} = 0 V to V _{CC}	-1.0	—	1.0	μA
Operating supply current	I _{CC}	V _{IN} = V _{IL} or V _{IH} , CE ₁ = V _{IL} , WE = V _{IH} CE ₂ = V _{IH} , I _{I/O} = 0 mA	—	—	40	mA
	I _{CC1}	CE ₁ = 0.2 V, V _{IN} = 0.2 V or V _{CC} - 0.2 V CE ₂ , WE = V _{CC} - 0.2 V, I _{I/O} = 0 mA	—	—	6	
Standby current	I _{SB}	CE ₁ = V _{CC} - 0.2 V or CE ₂ = 0.2 V	—	—	45	μA
	I _{SB1}	CE ₁ = V _{IH} or CE ₂ = V _{IL}	—	—	2.0	mA
Output voltage	V _{OL}	I _{OL} = 2.1 mA	—	—	0.4	V
	V _{OH}	I _{OH} = -0.5 mA	V _{CC} - 0.5	—	—	V

AC ELECTRICAL CHARACTERISTICS**AC Test Conditions**

PARAMETER	MODE	NOTE
Input pulse level	0.4 V to 2.4 V	—
Input rise and fall time	5 ns	—
Input and output timing Ref. level	1.5 V	—
Output load	100 pF + 1TTL	1

NOTE:

1. Including scope and jig capacitance.

READ CYCLE ($T_A = -40^\circ\text{C}$ to $+85^\circ\text{C}$, $V_{CC} = 2.7\text{ V}$ to 3.6 V)

PARAMETER	SYMBOL	MIN.	MAX.	UNIT	NOTE
Read cycle time	t_{RC}	85		ns	—
Address access time	t_{AA}	—	85	ns	—
CE ₁ access time	t_{ACE1}	—	85	ns	—
CE ₂ access time	t_{ACE2}	—	85	ns	—
Output enable to output valid	t_{OE}	—	45	ns	—
Output hold from address change	t_{OH}	10	—	ns	—
CE ₁ Low to output active	t_{LZ1}	5	—	ns	1
CE ₂ High to output active	t_{LZ2}	5	—	ns	1
OE Low to output active	t_{OLZ}	0	—	ns	1
CE ₁ High to output in High impedance	t_{HZ1}	0	35	ns	1
CE ₂ Low to output in High impedance	t_{HZ2}	0	35	ns	1
OE High to output in High impedance	t_{OHZ}	0	35	ns	1

NOTE:

1. Active output to High impedance and High impedance to output active tests specified for a $\pm 200\text{ mV}$ transition from steady state levels into the test load.

WRITE CYCLE ($T_A = -40^\circ\text{C}$ to $+85^\circ\text{C}$, $V_{CC} = 2.7\text{ V}$ to 3.6 V)

PARAMETER	SYMBOL	MIN.	MAX.	UNIT	NOTE
Write cycle time	t_{WC}	85	—	ns	—
CE ₁ Low to end of write	t_{CW1}	75	—	ns	—
CE ₂ High to end of write	t_{CW2}	75	—	ns	—
Address setup time	t_{AS}	0	—	ns	—
Write pulse width	t_{WP}	60	—	ns	—
Write recovery time	t_{WR}	0	—	ns	—
Input data setup time	t_{DW}	35	—	ns	—
Input data hold time	t_{DH}	0	—	ns	—
WE High to output active	t_{OW}	0	—	ns	1
WE Low to output in High impedance	t_{WZ}	0	—	ns	1
OE High to output in High impedance	t_{OHZ}	0	35	ns	1

NOTE:

1. Active output to High impedance and High impedance to output active tests specified for a $\pm 200\text{ mV}$ transition from steady state levels into the test load.

DATA RETENTION CHARACTERISTICS ($T_A = -40^{\circ}\text{C}$ to $+85^{\circ}\text{C}$)

PARAMETER	SYMBOL	CONDITIONS	MIN.	TYP	MAX.	UNIT	NOTE	
Data retention supply voltage	V_{CCDR}	$CE_2 \leq 0.2\text{ V}$ or $CE_1 \geq V_{CCDR} - 0.2\text{ V}$	2.0	—	3.6	V	1	
Data retention supply current	I_{CCDR}	$V_{CCDR} = 3.0\text{ V}$ $CE_2 \leq 0.2\text{ V}$ or $CE_1 \geq V_{CCDR} - 0.2\text{ V}$						
				$T_A = 25^{\circ}\text{C}$	—	—	1.0	μA 1
				$T_A = 40^{\circ}\text{C}$	—	—	3.0 35	
Chip enable setup time	t_{CDR}	—	0	—	—	ms	—	
Chip enable hold time	t_R	—	5	—	—	ms	—	

NOTE:

- $CE_2 \geq V_{CCDR} - 0.2\text{ V}$ or $CE_2 \leq 0.2\text{ V}$
- Typical values at $T_A = 25^{\circ}\text{C}$

PIN CAPACITANCE ($T_A = 25^{\circ}\text{C}$, $f = 1\text{ MHz}$)

PARAMETER	SYMBOL	CONDITIONS	MIN.	TYP.	MAX.	UNIT	NOTE
Input capacitance	C_{IN}	$V_{IN} = 0\text{ V}$	—	—	10	pF	1
I/O capacitance	$C_{I/O}$	$V_{I/O} = 0\text{ V}$	—	—	10	pF	1

NOTE:

- This parameter is sampled and not production tested.

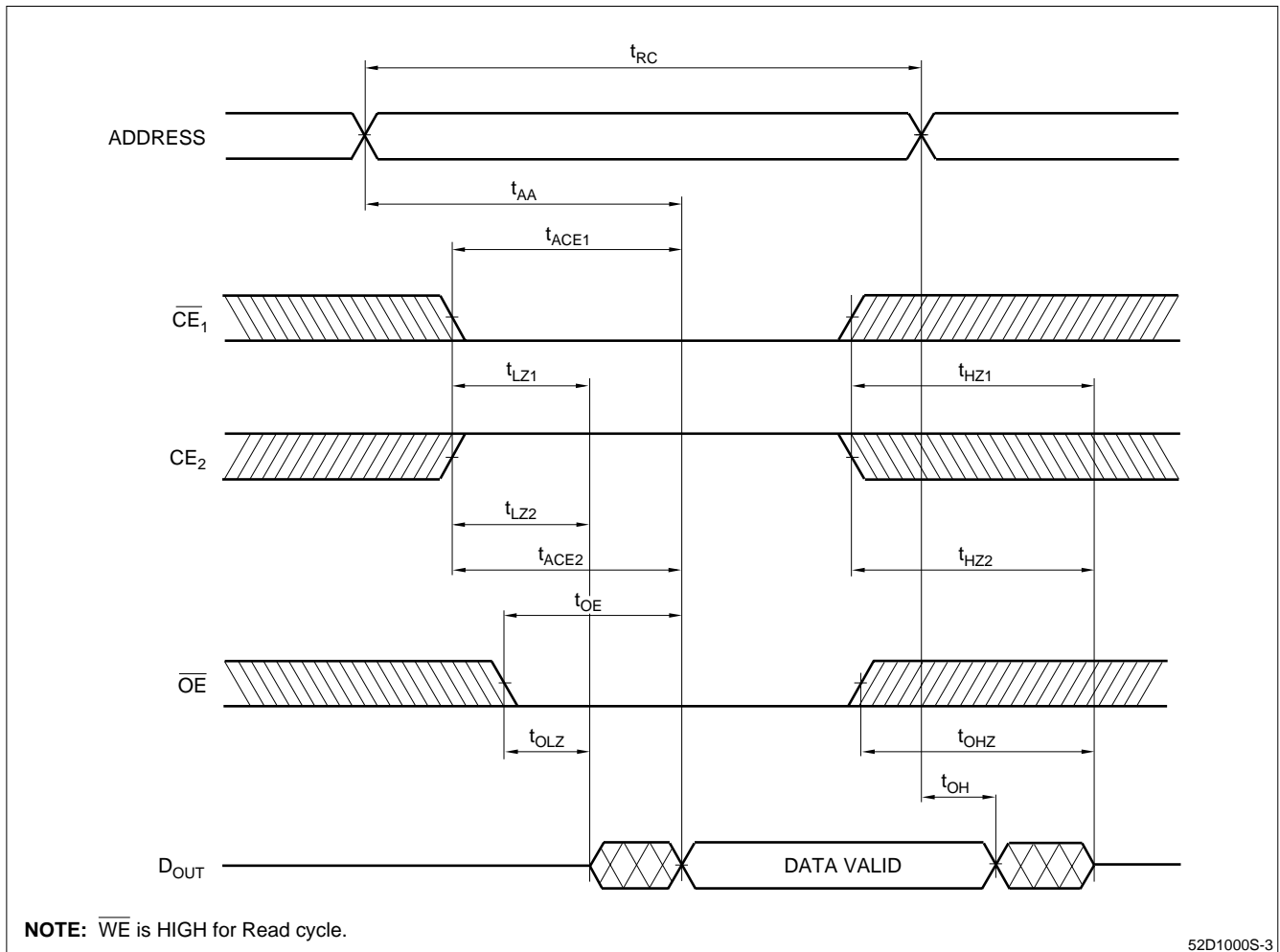
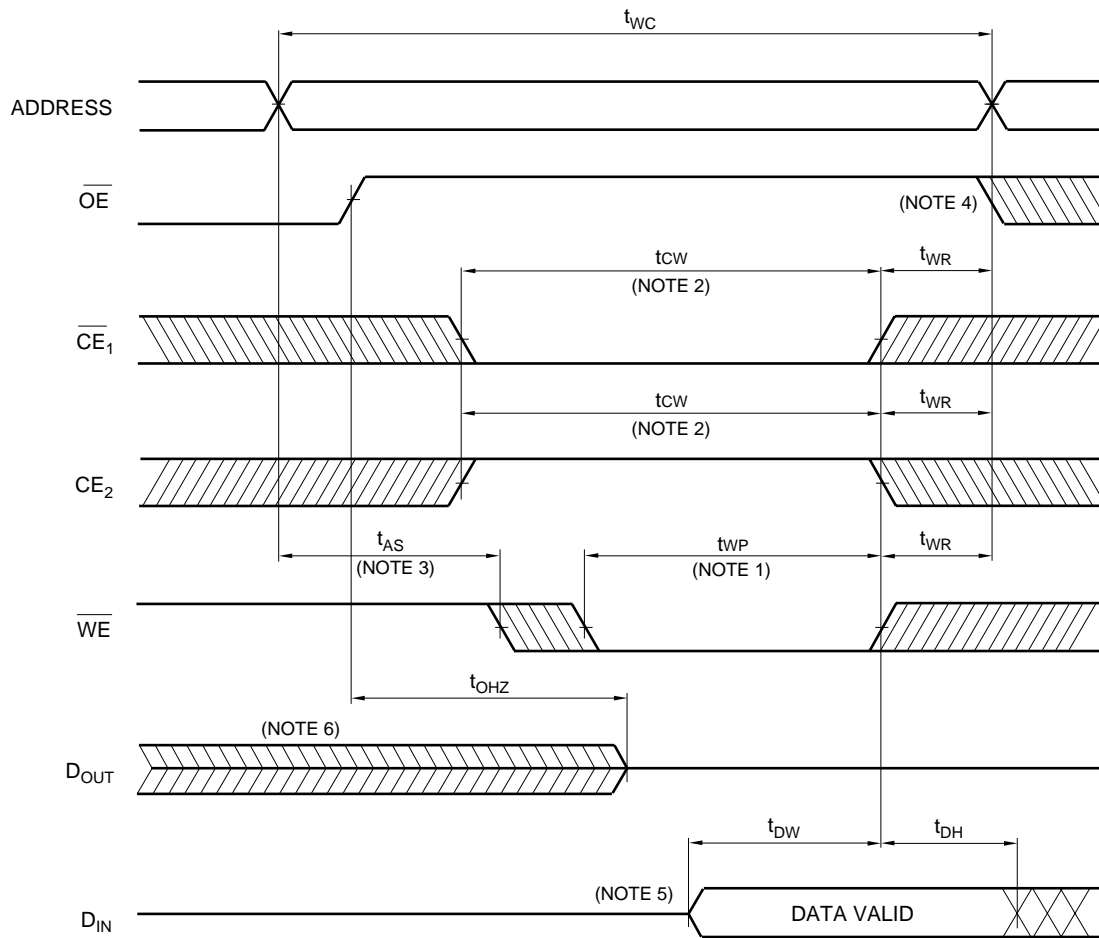


Figure 3. Read Cycle

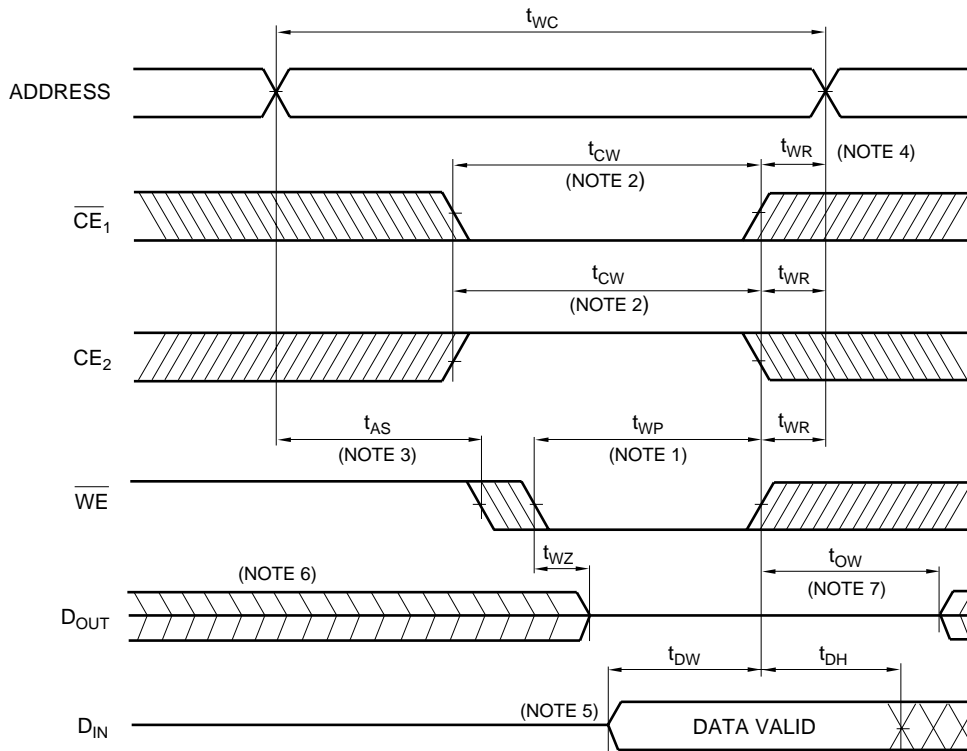


NOTES:

1. A write occurs during the overlap of a LOW \overline{CE}_1 , a HIGH CE_2 and a LOW \overline{WE} . A write begins at the latest transition among \overline{CE}_1 going LOW, CE_2 going HIGH and \overline{WE} going LOW. A write ends at the earliest transition among \overline{CE}_1 going HIGH, CE_2 going LOW and \overline{WE} going HIGH. t_{WP} is measured from the beginning of write to the end of write.
2. t_{CW} is measured from the later of \overline{CE}_1 going LOW or CE_2 going HIGH to the end of write.
3. t_{AS} is measured from the address valid to the beginning of write.
4. t_{WR} is measured from the end of write to the address change. t_{WR1} applies in case a write ends at \overline{CE}_1 or \overline{WE} going HIGH. t_{WR2} applies in case a write ends at CE_2 going LOW.
5. During this period, I/O pins are in the output state, therefore the input signals of opposite phase to the outputs must not be applied.
6. If \overline{CE}_1 goes LOW simultaneously with \overline{WE} going LOW or after \overline{WE} going LOW, the outputs remain in high impedance state.
7. If \overline{CE}_1 goes HIGH simultaneously with \overline{WE} going HIGH or before \overline{WE} going HIGH, the outputs remain in high impedance state.

52D1000S-4

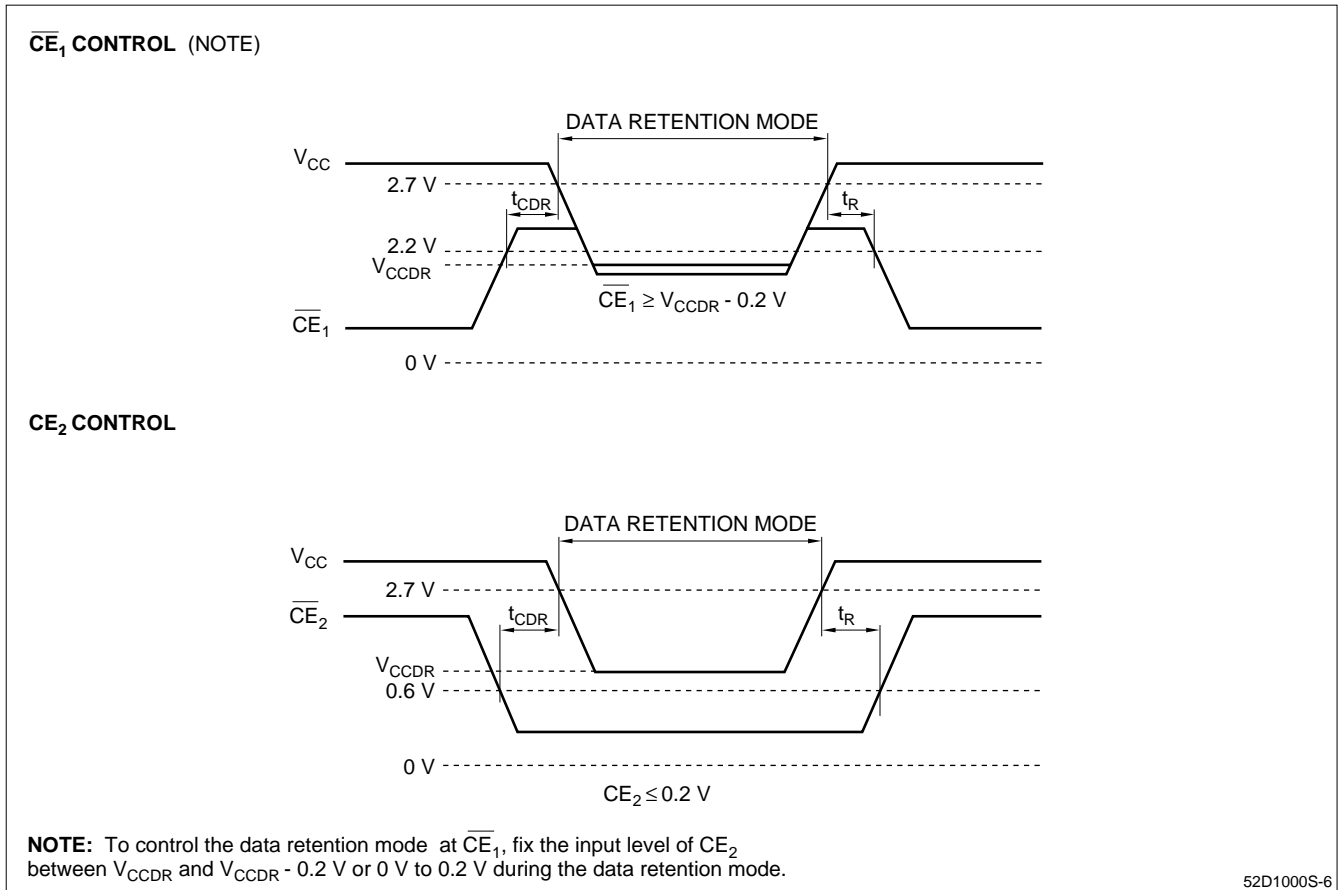
Figure 4. Write Cycle (OE Controlled)

**NOTES:**

1. A write occurs during the overlap of a LOW \overline{CE}_1 , a HIGH CE_2 and a LOW \overline{WE} . A write begins at the latest transition among \overline{CE}_1 going LOW, CE_2 going HIGH and \overline{WE} going LOW. A write ends at the earliest transition among \overline{CE}_1 going HIGH, CE_2 going LOW and \overline{WE} going HIGH. t_{WP} is measured from the beginning of write to the end of write.
2. t_{CW} is measured from the later of \overline{CE}_1 going LOW or CE_2 going HIGH to the end of write.
3. t_{AS} is measured from the address valid to the beginning of write.
4. t_{WR} is measured from the end of write to the address change. t_{WR1} applies in case a write ends at \overline{CE}_1 or \overline{WE} going HIGH. t_{WR2} applies in case a write ends at CE_2 going LOW.
5. During this period, I/O pins are in the output state, therefore the input signals of opposite phase to the outputs must not be applied.
6. If \overline{CE}_1 goes LOW simultaneously with \overline{WE} going LOW or after \overline{WE} going LOW, the outputs remain in high impedance state.
7. If \overline{CE}_1 goes HIGH simultaneously with \overline{WE} going HIGH or before \overline{WE} going HIGH, the outputs remain in high impedance state.

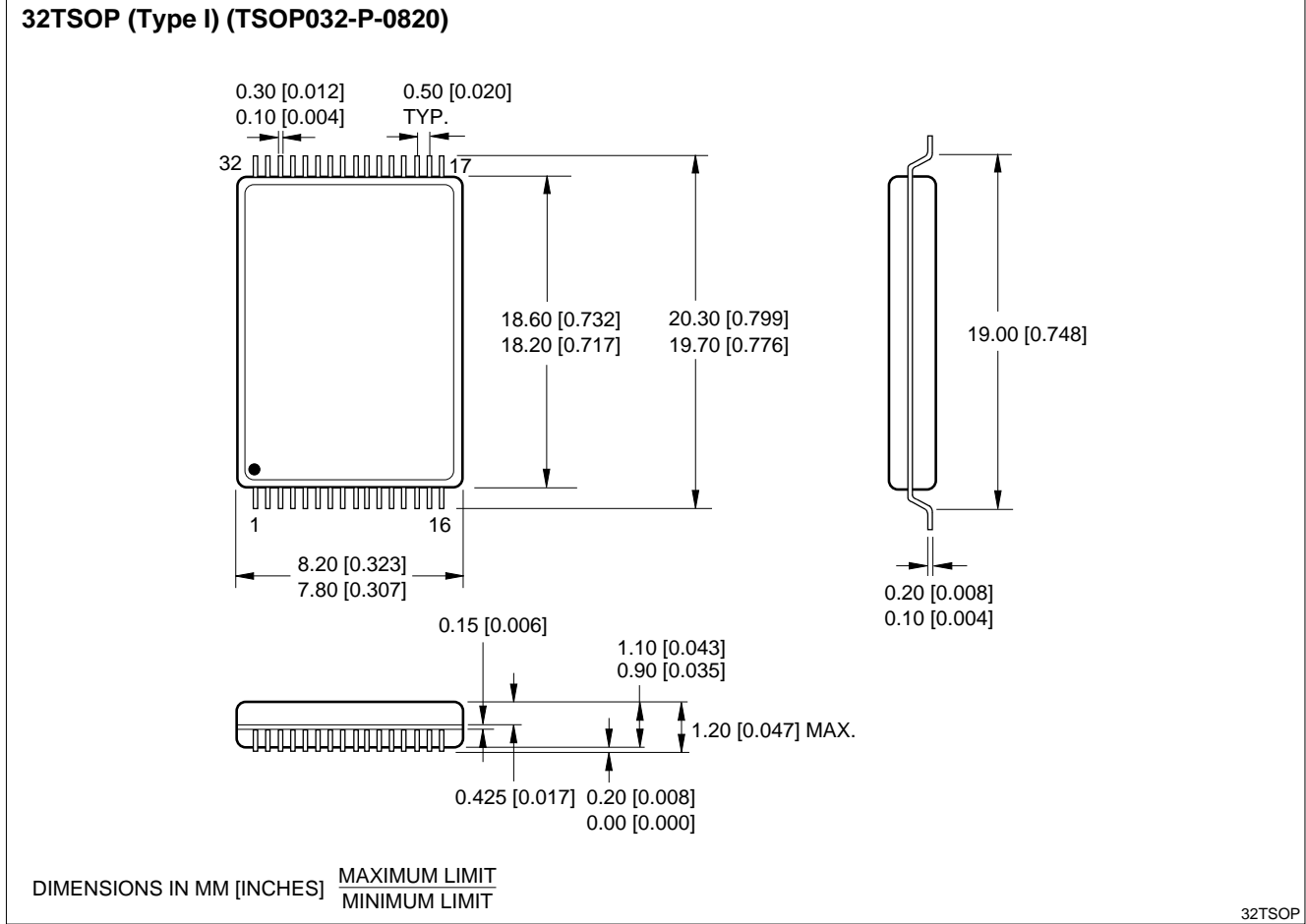
52D1000S-5

Figure 5. Write Cycle (\overline{OE} Low Fixed)

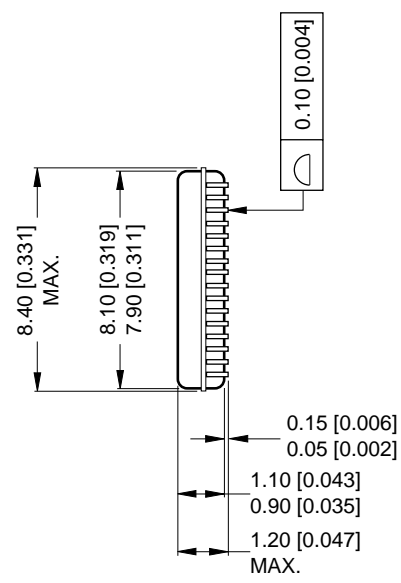
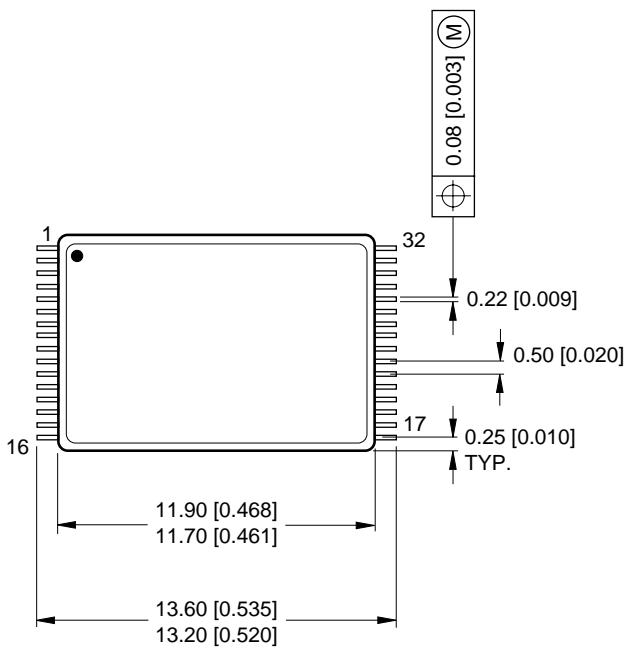


**Figure 6. Data Retention
(\overline{CE}_1 Controlled)**

PACKAGE DIAGRAM



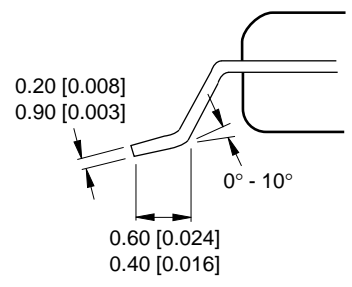
32TSOP (TSOP032-P-0813)



SEE DETAIL



DETAIL

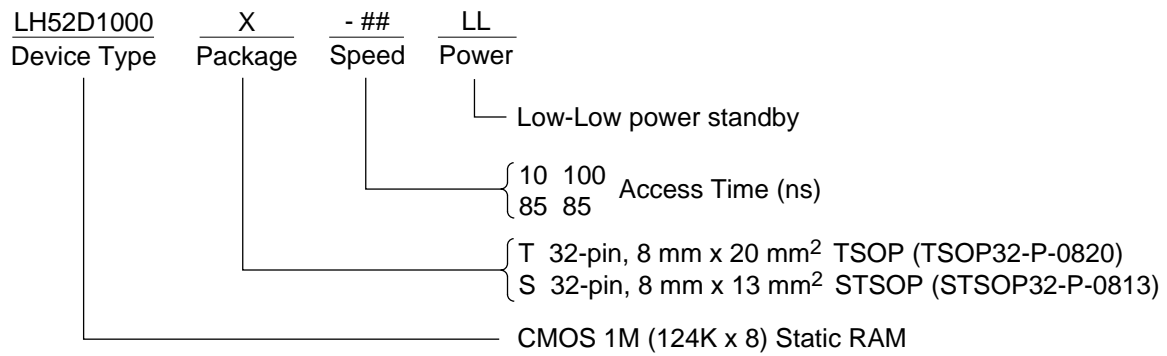


DIMENSIONS IN MM [INCHES]

MAXIMUM LIMIT
MINIMUM LIMIT

32STSOP

ORDERING INFORMATION



Example: LH52D1000T-85LL (CMOS 1M (124K x 8) Static RAM, 85 ns, Low-Low power standby, 32-pin TSOP)

52D1000S-7