
LH77790B

Embedded Microcontroller

Thermal & Electrical Specification

SHARP reserves the right to make changes in specifications described herein at any time and without notice in order to improve design or reliability. SHARP does not assume any responsibility for the use of any circuitry described; no circuit patent licenses are implied. SHARP assumes no responsibility for damage caused by misuse or improper use of devices.

LIFE SUPPORT POLICY

SHARP components should not be used in medical devices with life support functions, safety equipment (or similar applications where component failure would result in loss of life or physical harm), aerospace equipment, telecommunication equipment (trunk lines) or nuclear power control equipment. Contact a SHARP representative or sales office before using SHARP devices for any applications other than those recommended by SHARP.

LIMITED WARRANTY

Sharp warrants to its Customer that the Products will be free from defects in material and workmanship under normal use and service for a period of one year from the date of invoice. Customer's exclusive remedy for breach of this warranty is that Sharp will either (i) repair or replace, at its option, any Product which fails during the warranty period because of such defect (if Customer promptly reported the failure to Sharp in writing) or, (ii) if Sharp is unable to repair or replace, refund the purchase price of the Product upon its return to Sharp. This warranty does not apply to any Product which has been subjected to misuse, abnormal service or handling, or which has been altered or modified in design or construction, or which has been serviced or repaired by anyone other than Sharp. The warranties set forth herein are in lieu of, and exclusive of, all other warranties, express or implied. ALL EXPRESS AND IMPLIED WARRANTIES, INCLUDING THE WARRANTIES OF MERCHANTABILITY, FITNESS FOR USE AND FITNESS FOR A PARTICULAR PURPOSE, ARE SPECIFICALLY EXCLUDED. In no event will Sharp be liable, or in any way responsible, for any incidental or consequential economic or property damage.

The above warranty is also extended to Customers of Sharp authorized distributors with the following exception: reports of failures of Products during the warranty period and return of Products that were purchased from an authorized distributor must be made through the distributor. In case Sharp is unable to repair or replace such Products, refunds will be issued to the distributor in the amount of distributor cost.

Trademark Advanced RISC Machines, United Kingdom.

LH77790B Embedded Microcontroller Preliminary User's Guide Version 1.0

© 1999 Copyright SHARP Microelectronics of the Americas. Printed and Bound in USA.

Reference No. SMA99104

Thermal & Electrical Specification

Overview

Portable devices are becoming more and more prevalent in our daily life. They are used as personal information managers, communication devices, digital cameras, handheld games, bar-code scanners, medical equipment, electronic instrumentation, and navigation systems. There are significant design challenges for portable devices. Low cost is a top priority for high volume products. Low power is a must for long battery life. High performance is critical for computationally-intensive applications such as PDAs, GPS, and 2-D scanners. Communication capabilities and effective user interface are integral parts of any portable device. Last, but not least, superior product development support tools are crucial to reducing time-to-market.

The System On Chip team at SHARP has designed the LH77790B Embedded Microcontroller (a.k.a. 790B) to meet the above challenges in portable design. The LH77790B, powered by an ARM7DI™, is a complete system on chip with a high level of integration to satisfy a wide range of customer requirements and expectations.

The 790B combines a 32-bit ARM7DI RISC engine, a number of essential peripherals (UARTs, Counter/Timers, PIOs, PWMs, etc...), LCD controller, cache, and on-chip SRAM. This high level of integration lowers overall system cost, reduces development cycle time and accelerates product introduction. The 790B's fully static design, power management unit, dual voltage operation (3.3 V/5 V), fast interrupt response time, on-chip cache and SRAM, powerful instruction set, and very low power RISC core provide high performance at low current draw. The on-chip LCD controller, UARTs, IrDA/DASK, and the programmable peripheral interface (PPI) are well suited for wireless, cable, and visual communication requirements. Other features like, watchdog timer, programmable memory interface, on-chip SRAM/DRAM controllers and debug support provides a high level of flexibility.

Please check our website at www.sharpsma.com or with your local SHARP sales office for the latest Thermal and Electrical Specifications and/or errata sheets. These documents will contain the latest parameters for the LH77790B.

Features

- Highly Integrated Single Chip
- 32-Bit ARM7DI RISC Core
 - Built-In Debug and ICE Support
 - Fast Interrupt Response
 - Powerful Instruction Set
- 26-bit External Address Bus
 - 512MB Addressable Space
- 16-bit External Data Bus
- 2KB Data/Instruction Cache
 - 4 Way Set Associative
 - Write Back Policy
 - Flexible Modes of Operation
- 2KB Static RAM
 - Expandable to 4KB without Cache
- Low Power
- High Performance
- Programmable Clock and Power Management
- Programmable Monochrome LCD Controller
 - 1024 (V) × 2048 (H)
 - Four Gray Shades
 - Frame buffer in Main Memory
- On-Chip Interrupt Controller
 - Six External Interrupts
 - Seven Internal Interrupts
 - ARM7DI Wake-Up
- Three UARTs - 16C450-class
 - Full Modem Support on UART0
 - Partial Modem Support on UART1
 - IrDA-1.0/DASK Support on UART2
- IrDA/DASK IR Interface
 - IrDA-1.0 (2.4 kbps to 115.2 kbps)
 - DASK (2.4 kbps to 57.6 kbps)
- Three Pulse Width Modulator Channels
 - PWM0 and PWM1 have 8-Bit Resolution
 - PWM2 has 16-Bit Resolution

- Flexible Memory Interface
 - Six Multiplexed Chip Enables/CAS pins
 - Two RAS pins
 - Fully Programmable
 - Six SRAM Banks (64MB each)
 - Two DRAM Banks (128MB each)
 - Access Privileges (System/User)
- On-Chip DRAM Controller
 - Fast Page Mode
 - Normal Mode
 - CAS before RAS Refresh
- Programmable Peripheral Interface (PPI)
 - 24 Programmable I/O Signals
 - Three Modes of Operation
- Three 16-Bit Counter/Timer Channels
 - Six Modes of Operation
 - Binary or BCD Counting
- Hardware Watchdog Timer
 - Eight Time-out Intervals
 - Protection Mechanism
 - Three Time-out Actions
- Little Endian
- JTAG Interface
- Dual Supply Voltage
 - 5 V TTL - 25 MHz
 - 3.3 V LVTTTL - 16.7 MHz

Development Environment

The 790B Evaluation Board (part number LU7790AH2A) and the ARM Software Development ToolKit (part number LU7V211H1) give users full access to the power and features of the 790B and provide a complete integrated environment for development. Users will be able to develop, benchmark, and profile both hardware and software easily and quickly.

Block Diagram

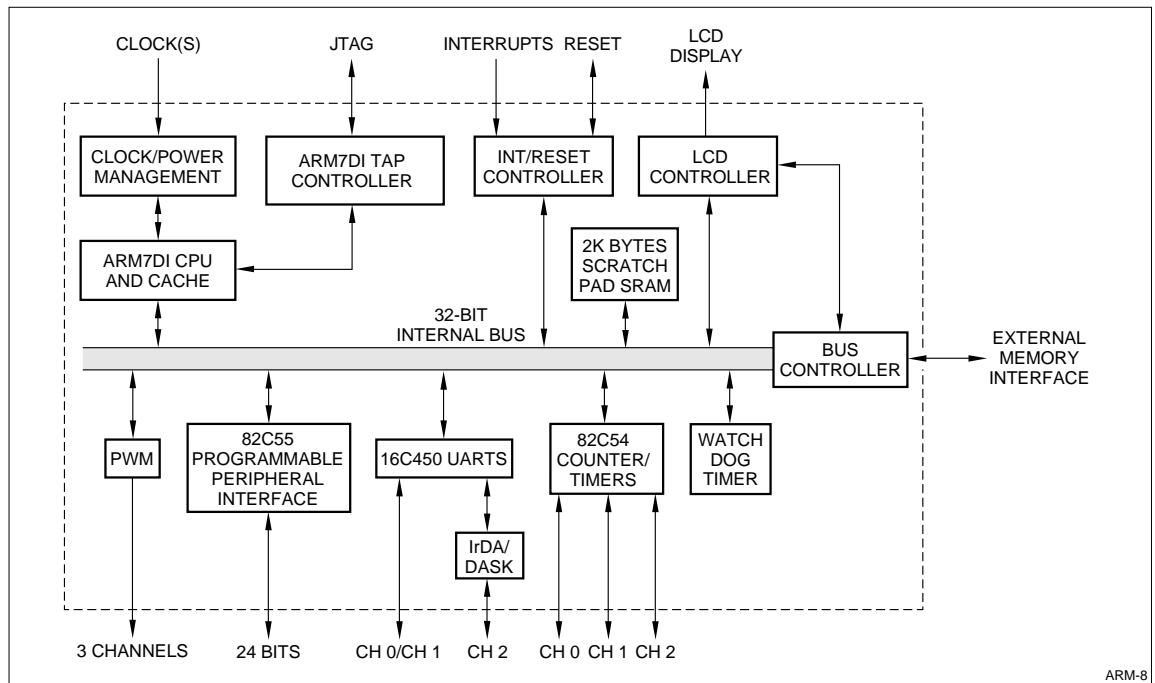


Figure 1. LH77790B Block Diagram

ARM-8

Pin Description

Table 1. Pin Descriptions

PINS	NAME	DIRECTION	DESCRIPTION
EXTERNAL BUS INTERFACE			
36 - 31, 28 - 21, 18 - 11, 8 - 5	A[25:0]	O	External Address bus. The 790B will provide a 26-bit address to external memories and peripherals.
60 - 55, 52 - 47, 42 - 41, 38 - 37	D[15:0]	I/O	External 16-Bit data bus.
72	\overline{OE}	O	Output Enable for external memory and peripherals. \overline{OE} allows external memory and peripherals to drive the data bus and is asserted LOW during a read access and HIGH during a write access.
71	\overline{WE}	O	Write Enable for external memory and peripherals. During a write access, this pin is driven LOW. During a read access, this pin is driven HIGH.
70 - 65	$\overline{CE}[5:0]/$ $\overline{CAS}[5:0]$	O	These pins provide the Chip Enable/Column Address Select signals allowing direct connection to standard external memory/peripheral devices. The pins act as \overline{CAS} when interfacing to DRAMs and as CE otherwise. They are fully programmable by the system designer and can support byte enables.
62 - 61	$\overline{RAS}[1:0]$	O	Row Address Select pins for DRAM Bank 0 and Bank 1.
74	\overline{WAIT}	I	External Memory Wait. Allows the use of slow memories. The 790B generates external \overline{WAIT} cycles (EWC) in response to activating \overline{WAIT} . \overline{WAIT} is sampled on the HIGH to LOW transition on XCLK. To add one EWC, \overline{WAIT} must be active prior to sampling in the last cycle (beginning of the last cycle) of a memory transfer. If \overline{WAIT} continues to be active (when sampled) in subsequent cycles, more EWC will be added. Once \overline{WAIT} is deactivated, the 790B will complete the memory transfer.
73	\overline{BW}	O	Byte Wide Access. \overline{BW} is LOW when the ARM7DI executes a store/load byte instruction. \overline{BW} is HIGH when the ARM7DI Core executes a store/load word instruction or an instruction fetch. \overline{BW} does not depend on the bus size of the external memory/peripheral device. \overline{BW} is valid during an external memory access. It can be used by an external address decoder to generate extra chip/byte enables. \overline{BW} is a don't care during DRAM refresh.
169	\overline{BB}	I	Byte Boot selects between x8 or x16 for the boot memory. The 790B samples and captures the state of \overline{BB} on the rising edge of \overline{RESETI} allowing \overline{BB} to change state after Reset. If \overline{BB} is LOW the 790B will boot from a x8 memory. If \overline{BB} is HIGH, the 790B will boot from a x16 memory. This pin is normally tied LOW for x8 boot memory or HIGH for x16 boot memory.
COUNTERS/TIMERS INTERFACE			
123, 121, 117	CTGATE[2:0]	I	Counter/Timer control gate input signals.
124, 122, 118	CTOUT[2:0]	O	Counter/Timer output signals.
INTERRUPT INTERFACE			
107 - 102	INT[5:0]	I	External interrupt input signals.

Table 1. Pin Descriptions

PINS	NAME	DIRECTION	DESCRIPTION
LCD CONTROLLER INTERFACE			
91	CP2	O	Shift/Pixel Clock.
92	CP1	O	Line Pulse/HSYNC.
93	MCLK	O	AC Modulation Signal.
94	S	O	Frame Pulse/VSYNC.
95	LCDCNTL	O	LCD Control Signal.
84 - 77	VD[7:0]	O	Video Data.
PROGRAMMABLE PERIPHERAL INTERFACE			
139 - 135, 128 - 126 149 - 145, 142 - 140 159 - 155, 152 - 150	PA[7:0] PB[7:0] PC[7:0]	I/O	Parallel ports A, B, and C signals. Signals have programmable access and can function as Input, Output or Controls (port C only). PB[7:2] and PC[2:0] are multiplexed with UARTs modem signals.
PWM INTERFACE			
98 - 96	PWM[2:0]	O	Pulse Width Modulator output signals.
UARTs INTERFACE			
114, 112, 108	RxD[2:0]	I	UART serial data input signals. RxD2 also doubles as the digital input for the IR interface.
115, 113, 111	TxD[2:0]	O	UART serial data output signals. TxD2 also doubles as the digital output for the IR interface.
150, 151	$\overline{\text{RTS}}$ [1:0]	O	Request To Send for UART0 and UART1. Multiplexed with PC0 and PC1 respectively.
145, 146	$\overline{\text{CTS}}$ [1:0]	I	Clear To Send for UART0 and UART1. Multiplexed with PB3 and PB4 respectively.
142, 147	$\overline{\text{RI}}$ [1:0]	I	Ring Indicator for UART0 and UART1. Multiplexed with PB2 and PB5 respectively.
152	$\overline{\text{DTR0}}$	O	Data Terminal Ready for UART0 only. Multiplexed with PC2.
149	$\overline{\text{DSR0}}$	I	Data Set Ready for UART0 only. Multiplexed with PB7.
148	$\overline{\text{DCD0}}$	I	Data Carrier Detect for UART0 only. Multiplexed with PB6.
RESET AND EXTERNAL CLOCKS			
101	RESETI**	I	Chip and JTAG TAP Controller Reset Input. $\overline{\text{RESETI}}$ has a built-in glitch detector. $\overline{\text{RESETO}}$ will be driven LOW after a valid reset is detected for as long as $\overline{\text{RESETI}}$ is driven LOW. JTAG reset, TRST, is internally connected to $\overline{\text{RESETI}}$.
119	$\overline{\text{RESETO}}$	O	Chip Reset Output. It will be driven LOW during: 1. Chip Reset 2. WDT Timeout Reset 3. Software Controlled Reset
3	XCLK	I	The 790B External Clock Input pin. Duty cycle is 50%.
162	XCLKDIS	O	XCLKDIS is an active HIGH output pin that can be used to disable external clock circuitry and will result in reducing current consumption to micro-amperes. XCLKDIS is HIGH in Sleep and Stop modes. Connecting this pin to the external clock circuitry, allows the 790B to go into Stop mode by disabling the external clock.
116	UCLK	I	UART/DASK Demodulator External clock input signal. Duty cycle is 50%.
125	CTCLK	I	Counter/Timer External clock input signal. Duty cycle is 50%.

Table 1. Pin Descriptions

PINS	NAME	DIRECTION	DESCRIPTION
JTAG INTERFACE*			
160	TCK	I	JTAG Test/EmbeddedICE™ clock input signal. Must be pulled-up for normal operation (56 kΩ is recommended for compatibility with ARM's EmbeddedICE)
161	TMS	I	JTAG Test/EmbeddedICE mode select input signal. Must be pulled-up for normal operation (56 kΩ is recommended for compatibility with ARM's EmbeddedICE)
165	TDI	I	JTAG Test/EmbeddedICE data input signal. Must be pulled-up for normal operation (56 kΩ is recommended for compatibility with ARM's EmbeddedICE)
166	TDO	O	JTAG Test/EmbeddedICE data output signal.
RESERVED INTERFACE			
170	ADBE	I	Reserved. Must be tied HIGH for normal operation.
167	TEST0	I	Reserved. Must be tied LOW for normal operation.
168	TEST1	O	Reserved. No Connect.
171	TEST2	I	Reserved. Must be tied LOW for normal operation
172	TEST3	O	Reserved. No Connect
POWER SIGNALS			
9, 19, 29, 39, 53, 63, 75, 85, 99, 109, 129, 143, 153, 163, 173	V _{CC}	I	Power. All LH77790B are 5 V/3.3 V.
4, 10, 20, 30, 40, 54, 64, 76, 86, 100, 110, 120, 130, 144, 154, 164, 174	V _{SS}	I	Ground. All ground pins must be used.
NO CONNECT			
1, 2, 43, 44, 45, 46, 87, 88, 89, 90, 131, 132, 133, 134, 175, 176	NC	—	No connection.

NOTE: *JTAG Reset, $\overline{\text{TRST}}$, is internally connected to $\overline{\text{RESETI}}$. IEEE 1149.1 – 1990 Standard requires JTAG Inputs to be pulled up to a good logic level to achieve normal operations.

Table 2. Pinout

PIN	SIGNAL	PIN	SIGNAL	PIN	SIGNAL	PIN	SIGNAL
1	NC	45	NC	89	NC	133	NC
2	NC	46	NC	90	NC	134	NC
3	XCLK	47	D4	91	CP2	135	PA3
4	V _{SS}	48	D5	92	CP1	136	PA4
5	A0	49	D6	93	MCLK	137	PA5
6	A1	50	D7	94	S	138	PA6
7	A2	51	D8	95	LCDCNTL	139	PA7
8	A3	52	D9	96	PWM0	140	PB0
9	V _{CC}	53	VCC	97	PWM1	141	PB1
10	V _{SS}	54	VSS	98	PWM2	142	PB2/RI1
11	A4	55	D10	99	V _{CC}	143	V _{CC}
12	A5	56	D11	100	V _{SS}	144	V _{SS}
13	A6	57	D12	101	RESETI	145	PB3/CTS1
14	A7	58	D13	102	INT0	146	PB4/CTS0
15	A8	59	D14	103	INT1	147	PB5/RI0
16	A9	60	D15	104	INT2	148	PB6/DCD0
17	A10	61	RAS0	105	INT3	149	PB7/DSR0
18	A11	62	RAS1	106	INT4	150	PC0/RTS1
19	V _{CC}	63	V _{CC}	107	INT5	151	PC1/RTS0
20	V _{SS}	64	V _{SS}	108	RxD0	152	PC2/DTR0
21	A12	65	CE0/CAS0	109	V _{CC}	153	V _{CC}
22	A13	66	CE1/CAS1	110	V _{SS}	154	V _{SS}
23	A14	67	CE2/CAS2	111	TxD0	155	PC3
24	A15	68	CE3/CAS3	112	RxD1	156	PC4
25	A16	69	CE4/CAS4	113	TxD1	157	PC5
26	A17	70	CE5/CAS5	114	RxD2	158	PC6
27	A18	71	WE	115	TxD2	159	PC7
28	A19	72	OE	116	UCLK	160	TCK
29	V _{CC}	73	BW	117	CTGATE0	161	TMS
30	V _{SS}	74	WAIT	118	CTOUT0	162	XCLKDIS
31	A20	75	V _{CC}	119	RESET0	163	V _{CC}
32	A21	76	V _{SS}	120	V _{SS}	164	V _{SS}
33	A22	77	VD0	121	CTGATE1	165	TDI
34	A23	78	VD1	122	CTOUT1	166	TDO
35	A24	79	VD2	123	CTGATE2	167	TEST0
36	A25	80	VD3	124	CTOUT2	168	TEST1
37	D0	81	VD4	125	CTCLK	169	BB
38	D1	82	VD5	126	PA0	170	ADBE
39	V _{CC}	83	VD6	127	PA1	171	TEST2
40	V _{SS}	84	VD7	128	PA2	172	TEST3
41	D2	85	V _{CC}	129	V _{CC}	173	V _{CC}
42	D3	86	V _{SS}	130	V _{SS}	174	V _{SS}
43	NC	87	NC	131	NC	175	NC
44	NC	88	NC	132	NC	176	NC

Absolute Maximum Ratings

Table 3. Absolute Maximum Ratings

PARAMETER	SYMBOL	RATING	UNIT
Supply Voltage	V_{CC}	-0.3 to 6.0	V
Input Voltage	V_{IN}	-0.3 to $V_{CC} + 0.3$	V
Output Voltage	V_{OUT}	-0.3 to $V_{CC} + 0.3$	V
Storage Temperature	T_{STG}	-40 to +125	°C
Power Dissipation (Package Limit)	PD_{PKG}	1	W

NOTE: These are stress ratings for transient conditions only. Operation at or beyond absolute maximum rating conditions may affect reliability and cause permanent damage to the device.

Recommended Operating Conditions

Table 4. LH77790B (5 V Operation) Recommended Operating Conditions

PARAMETER	SYMBOL	MIN.	TYP.	MAX.	UNIT
Supply Voltage	V_{CC}	4.5	5.0	5.5	V
Supply Voltage	V_{SS}	0	0	0	V
Clock Frequency	F_{XCLK}	0	—	25	MHz
Operating Temperature	T_{OPR}	0	—	70	°C

NOTE: Unused input pins should be pulled LOW or HIGH to their inactive state.

Table 5. LH77790B (3.3 V Operation) Recommended Operating Conditions

PARAMETER	SYMBOL	MIN.	TYP.	MAX.	UNIT
Supply Voltage	V_{CC}	3.0	3.3	3.6	V
Supply Voltage	V_{SS}	0	0	0	V
Clock Frequency	F_{XCLK}	0	—	16.7	MHz
Operating Temperature	T_{OPR}	0	—	70	°C

NOTE: Unused input pins should be pulled LOW or HIGH to their inactive state.

DC Specifications

Over recommended operating voltage and temperature conditions, unless otherwise specified.

Table 6. LH77790B DC Specifications

PARAMETER	SYMBOL	VOLTAGE RANGE	TEST CONDITION	MIN.	MAX.	UNIT	NOTES
Input LOW Voltage	V_{IL}	3.3 V/5 V		0	0.8	V	1
Input HIGH Voltage	V_{IH}	3.3 V/5 V		2.0	V_{CC}	V	1
Input LOW Voltage	V_{IL}	3.3 V/5 V		0	0.2	V	2
Input HIGH Voltage	V_{IH}	3.3 V/5 V		$V_{CC} - 0.2$	V_{CC}	V	2
Output LOW Voltage	V_{OL}	3.3 V	$I_{OL} = 1 \text{ mA}, V_{CC} = 3 \text{ V}$	—	0.4	V	1
		5 V	$I_{OL} = 2 \text{ mA}, V_{CC} = 4.5 \text{ V}$	—	0.4	V	1
Output HIGH Voltage	V_{OH}	3.3 V	$I_{OH} = -1 \text{ mA}, V_{CC} = 3 \text{ V}$	2.4	—	V	1
		5 V	$I_{OH} = -2 \text{ mA}, V_{CC} = 4.5 \text{ V}$	2.4	—	V	1
Output LOW Voltage	V_{OL}	3.3 V	$I_{OL} = 100 \mu\text{A}, V_{CC} = 3 \text{ V}$	—	0.2	V	2
		5 V	$I_{OL} = 200 \mu\text{A}, V_{CC} = 4.5 \text{ V}$	—	0.2	V	2
Output HIGH Voltage	V_{OH}	3.3 V	$I_{OH} = -100 \mu\text{A}, V_{CC} = 3 \text{ V}$	$V_{CC} - 0.2$	—	V	2
		5 V	$I_{OH} = -200 \mu\text{A}, V_{CC} = 4.5 \text{ V}$	$V_{CC} - 0.2$	—	V	2
Input Leakage Current	I_{LI}	3.3 V/5 V	$V_{IN} = 0 \text{ V to } V_{CCMAX}$	-5	5	μA	
HIGH Impedance (OFF-State) Output Leakage Current	I_{OZ}	3.3 V/5 V	$V_{IN} = 0 \text{ V to } V_{CCMAX}$	-5	5	μA	
Operating Current (Active Mode)	I_{CCAT}	3.3 V		—	60	mA	3
		5 V		—	115	mA	3
Operating Current (Standby Mode)	I_{CCSB}	3.3 V		—	2	mA	4
		5 V		—	4	mA	4
Operating Current (Sleep Mode)	I_{CCSL}	3.3 V		—	1	mA	5
		5 V		—	2	mA	5
Operating Current (Stop Mode)	I_{CCST}	3.3 V	Operating temperature 0°C to 50°C	—	40	μA	6
		5 V		—	200	μA	6

NOTES:

1. TTL
2. CMOS
3. Condition 1: CMOS input levels (Note 2), for recommended operating conditions see Table 4.
XCLK Frequency = 25 MHz (5 V) or 16 MHz (3.3 V)
4. Condition 2: Same as Condition 1 with core and peripherals halted. DRAM Refresh is active.
5. Condition 3: Same as Condition 2 with DRAM Refresh disabled.
6. Condition 4: Same as Condition 3 with XCLK stopped.

AC Test Conditions

Table 7. AC Test Conditions¹

PARAMETER	RATING	UNIT	NOTE
Input Pulse Levels	V_{SS} to V_{CC}	V	
Input Rise and Fall Times	5	ns	
Input and Output Timing Reference Levels	1.5	V	
Output Load	50	pF	2

NOTE:

1. Applies to LH77790B (3.3 V and 5.0 V ranges).
2. Includes scope and jig capacitance.

Pin Capacitance

Table 8. Pin Capacitance¹

PARAMETER	SYMBOL	MAX.	UNIT	NOTE
Input Capacitance	C_{IN}	10	pF	2
Output Capacitance	C_{OUT}	20	pF	2
I/O Capacitance	C_{IO}	20	pF	2

NOTE:

1. Applies to LH77790B (3.3 V and 5.0 V ranges).
2. Measurement Condition: All pins are set to 0 V except measured pin.

AC Specifications

Over Recommended operating voltage, temperature and AC test conditions.

External Clocks

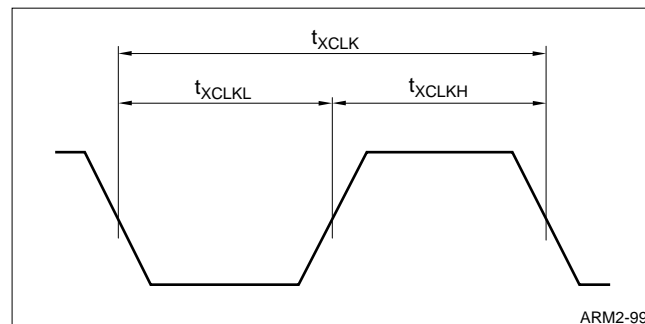


Figure 2. System Clock AC Timing

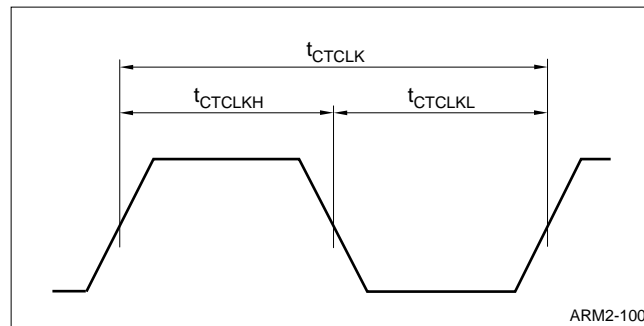


Figure 3. External Counters/Timers Clocks AC Timing

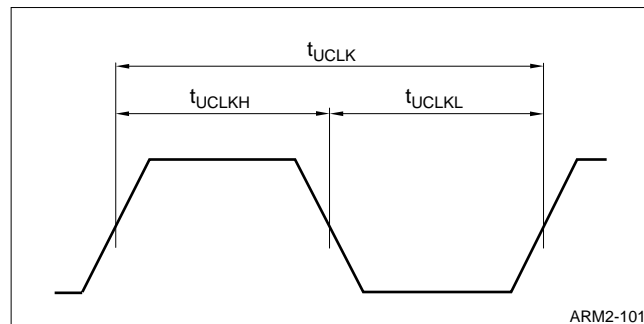


Figure 4. External UARTs/DASK Clock AC Timing

Table 9. External Clocks AC Specifications

PARAMETER	DESCRIPTION	3.3 V RANGE		5.0 V RANGE		UNIT
		MIN.	MAX.	MIN.	MAX.	
t_{XCLK}	XCLK (System Clock) Period	60	—	40	—	ns
t_{XCLKH}	XCLK HIGH Time	1/2	—	1/2	—	t_{XCLK}
t_{XCLKL}	XCLK LOW Time	1/2	—	1/2	—	t_{XCLK}
t_{CTCLK}	CTCLK (Counters/Timers External Clock) Period	2	—	2	—	t_{XCLK}
t_{CTCLKH}	CTCLK HIGH Time	1	—	1	—	t_{XCLK}
t_{CTCLKL}	CTCLK LOW Time	1	—	1	—	t_{XCLK}
t_{UCLK}^*	UCLK (UARTs/DASK External Clock) Period	2	—	2	—	t_{XCLK}
t_{UCLKH}^*	UCLK HIGH Time	1	—	1	—	t_{XCLK}
t_{UCLKL}^*	UCLK LOW Time	1	—	1	—	t_{XCLK}

NOTE: *When UCLK is used as a DASK Demodulator Clock, use a 14.318 MHz Oscillator (50% Duty).

SRAM/DRAM Interface

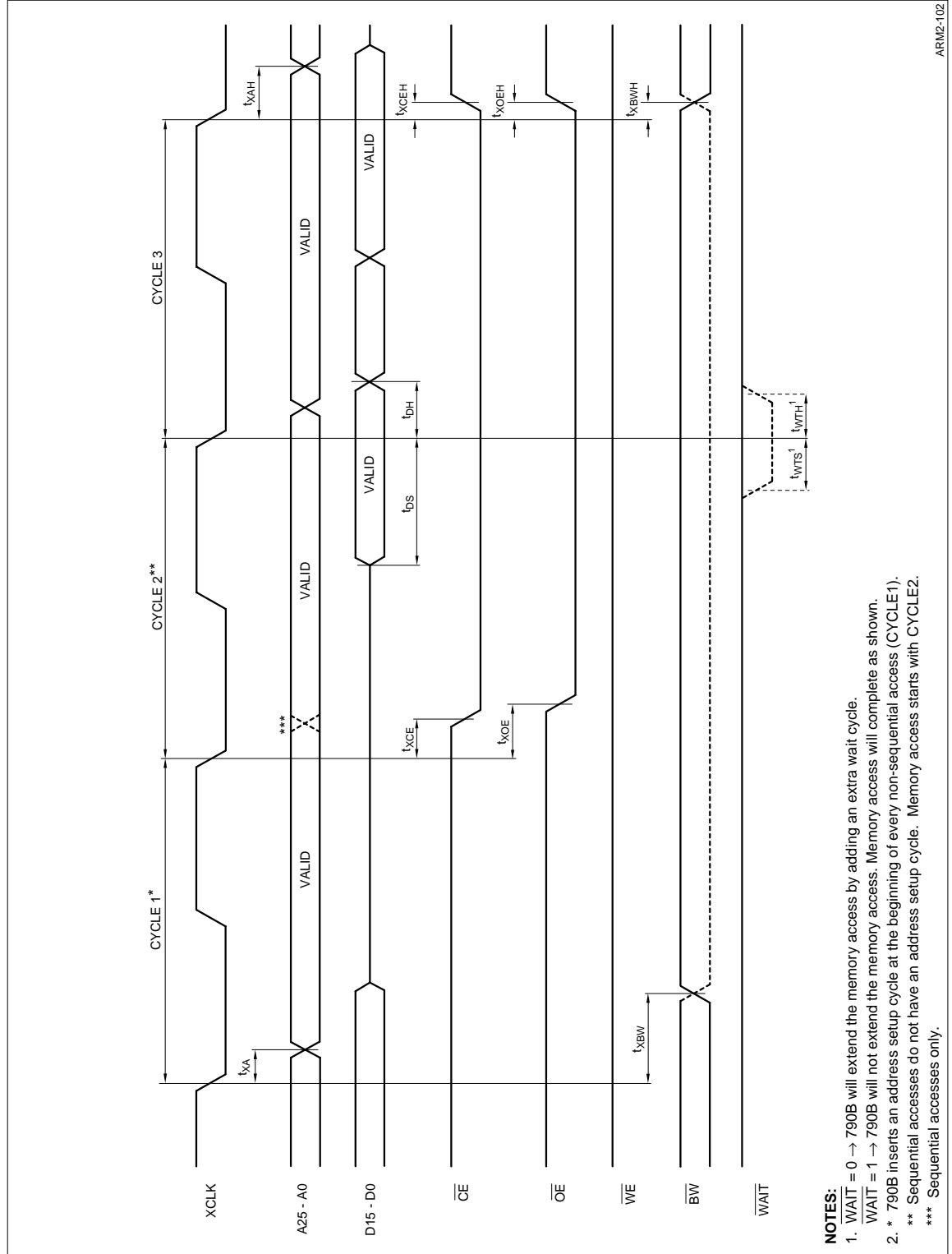
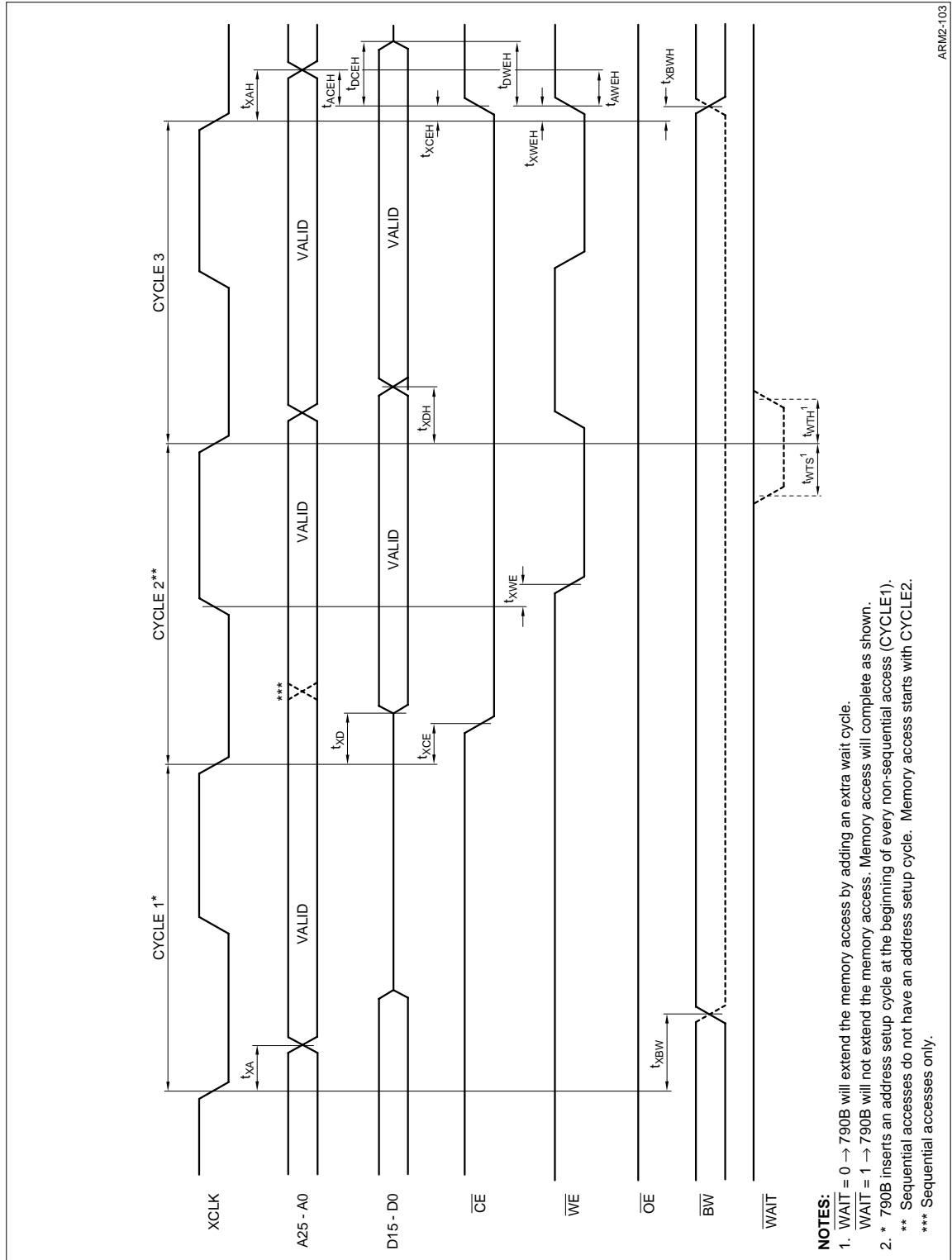


Figure 5. SRAM Read Access AC Timing



ARM2-103

Figure 6. SRAM Write Access AC Timing

NOTES:

1. WAIT = 0 → 790B will extend the memory access by adding an extra wait cycle.
 2. WAIT = 1 → 790B will not extend the memory access. Memory access will complete as shown.
- * 790B inserts an address setup cycle at the beginning of every non-sequential access (CYCLE1).
 ** Sequential accesses do not have an address setup cycle. Memory access starts with CYCLE2.
 *** Sequential accesses only.

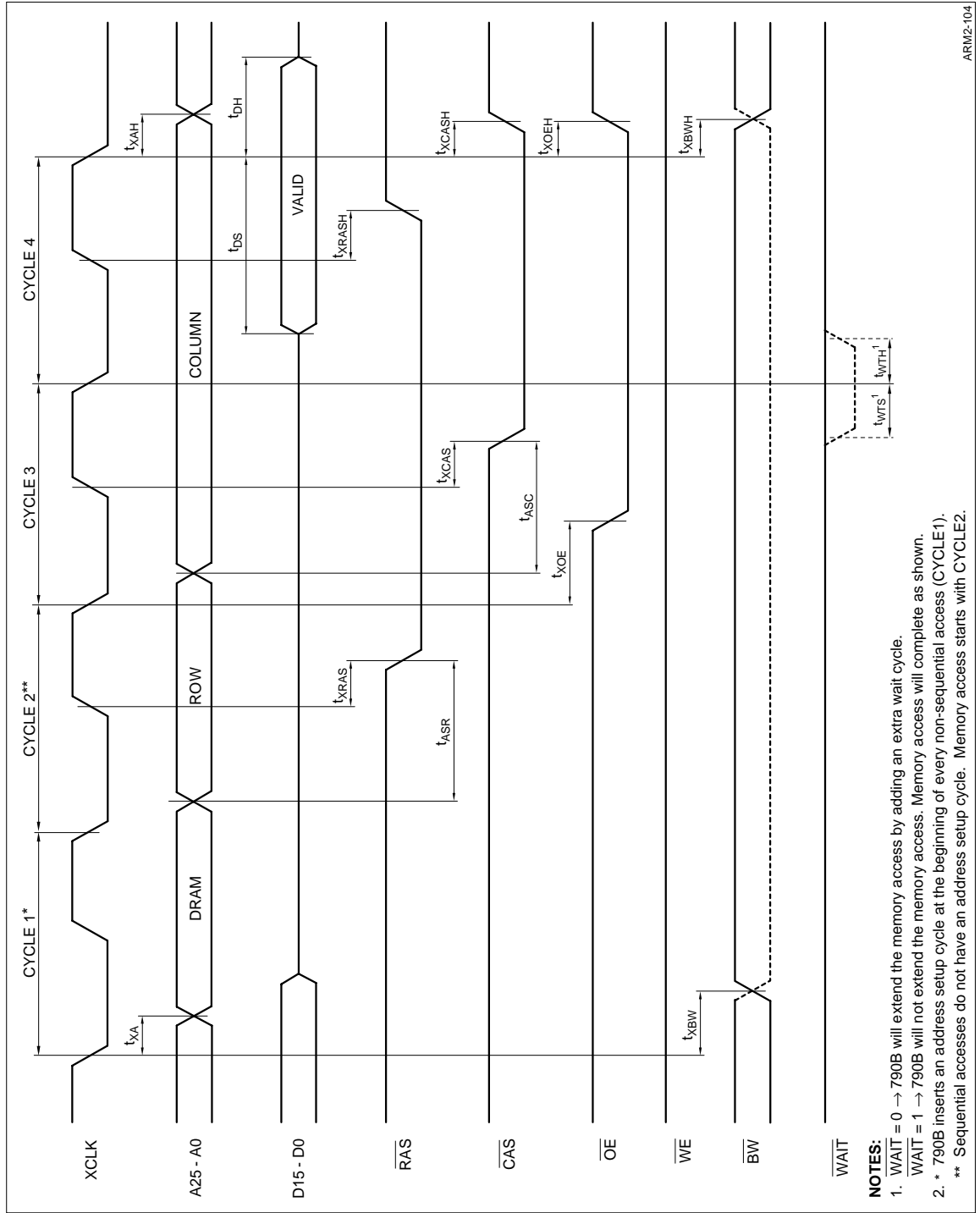


Figure 7. DRAM Read Access AC Timing

ARM2-104

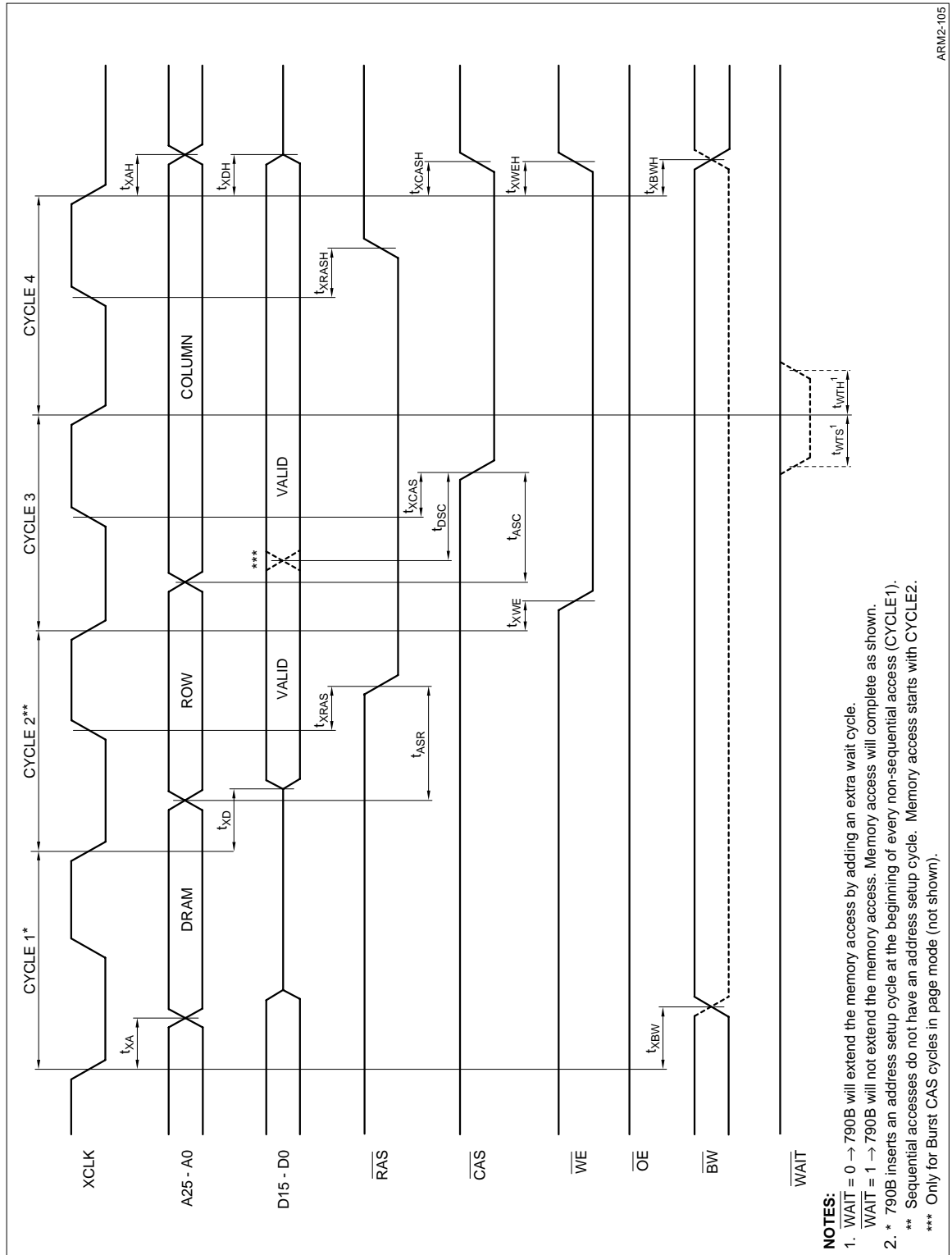


Figure 8. DRAM Write Access Timing

Table 10. SRAM/DRAM AC Specifications

PARAMETER	DESCRIPTION	3.3 V RANGE		5.0 V RANGE		UNIT	NOTE
		MIN.	MAX.	MIN.	MAX.		
t_{XA}	XCLK↓ to Address Valid	—	41	—	33	ns	
t_{XAH}	Address Hold relative to XCLK↓	4	—	4	—	ns	
t_{XCE}	XCLK↓ to \overline{CE} Active	—	41	—	27	ns	
t_{XCEH}	\overline{CE} Hold relative to XCLK↓	4	—	4	—	ns	
t_{XWE} (SRAM)	XCLK↑ to \overline{WE} Active (SRAM)	—	35	—	30	ns	
t_{XWE} (DRAM)	XCLK↓ to \overline{WE} Active (DRAM)	—	40	—	35	ns	
t_{XWEH}	\overline{WE} Hold relative to XCLK↓	4	—	4	—	ns	
t_{WTS}	\overline{WAIT} Setup relative to XCLK↓	10	—	10	—	ns	
t_{WTH}	\overline{WAIT} Hold relative to XCLK↓	6	—	6	—	ns	
t_{XD}	XCLK↓ to Write Data Valid	—	44	—	32	ns	
t_{XDH}	Write Data Hold relative to XCLK↓	4	—	4	—	ns	1
t_{XOE}	XCLK↓ to \overline{OE} Active	—	31	—	25	ns	
t_{XOEH}	\overline{OE} Hold relative to XCLK↓	4	—	4	—	ns	
t_{DS}	Read Data Setup relative to XCLK↓	13	—	9	—	ns	
t_{DH}	Read Data Hold relative to XCLK↓	21	—	19	—	ns	1, 3, 4
t_{XBW}	XCLK↓ to \overline{BW} Valid	—	35	—	28	ns	
t_{XBWH}	\overline{BW} Hold relative to XCLK↓	4	—	4	—	ns	
t_{AWEH}	Address Hold relative to \overline{WE} Inactive	0	—	0	—	ns	
t_{DWEH}	Data Hold relative to \overline{WE} Inactive	0	—	0	—	ns	
t_{ACEH}	Address Hold relative to \overline{CE} Inactive	0	—	0	—	ns	
t_{DCEH}	Data Hold relative to \overline{CE} Inactive	0	—	0	—	ns	
t_{XRAS}	XCLK↑ to \overline{RAS} Valid	—	26	—	21	ns	
t_{XRASH}	\overline{RAS} Hold relative to XCLK↑	2	—	2	—	ns	
t_{XCAS}	XCLK↑ to \overline{CAS} Valid	—	32	—	26	ns	
t_{XCASH}	\overline{CAS} Hold relative to XCLK↓	4	—	4	—	ns	
t_{ASR}	DRAM Row Address Setup relative to \overline{RAS}	10	—	4	—	ns	
t_{ASC}	DRAM Column Address Setup relative to \overline{CAS}	10	—	5	—	ns	
t_{DSC}	DRAM Write Data Setup relative to \overline{CAS}	10	—	5	—	ns	2

NOTES:

1. Measures hold time on data bus until data changes. The change could either be a state change or HIGH Impedance change.
2. This parameter is the setup time when both data and \overline{CAS} become valid in the same cycle (Burst \overline{CAS} cycles in Page Mode).
3. Minimum Data Hold Time with respect to \overline{CE} , \overline{OE} , and address invalid is 0 ns (SRAM).
4. Minimum Data Hold Time with respect to \overline{CAS} and \overline{OE} invalid is 0 ns (DRAM).

Programmable Peripheral Interface, PPI

The PPI has three different modes of operation shown in Figure 9 through Figure 13. Modes 1 and 2 assign alias names to port C when used as control signals depending on the mode of operation. Table 11 shows a cross reference between the alias names which are used in the AC timing diagrams for modes 1 and 2 and the 790B external I/O names.

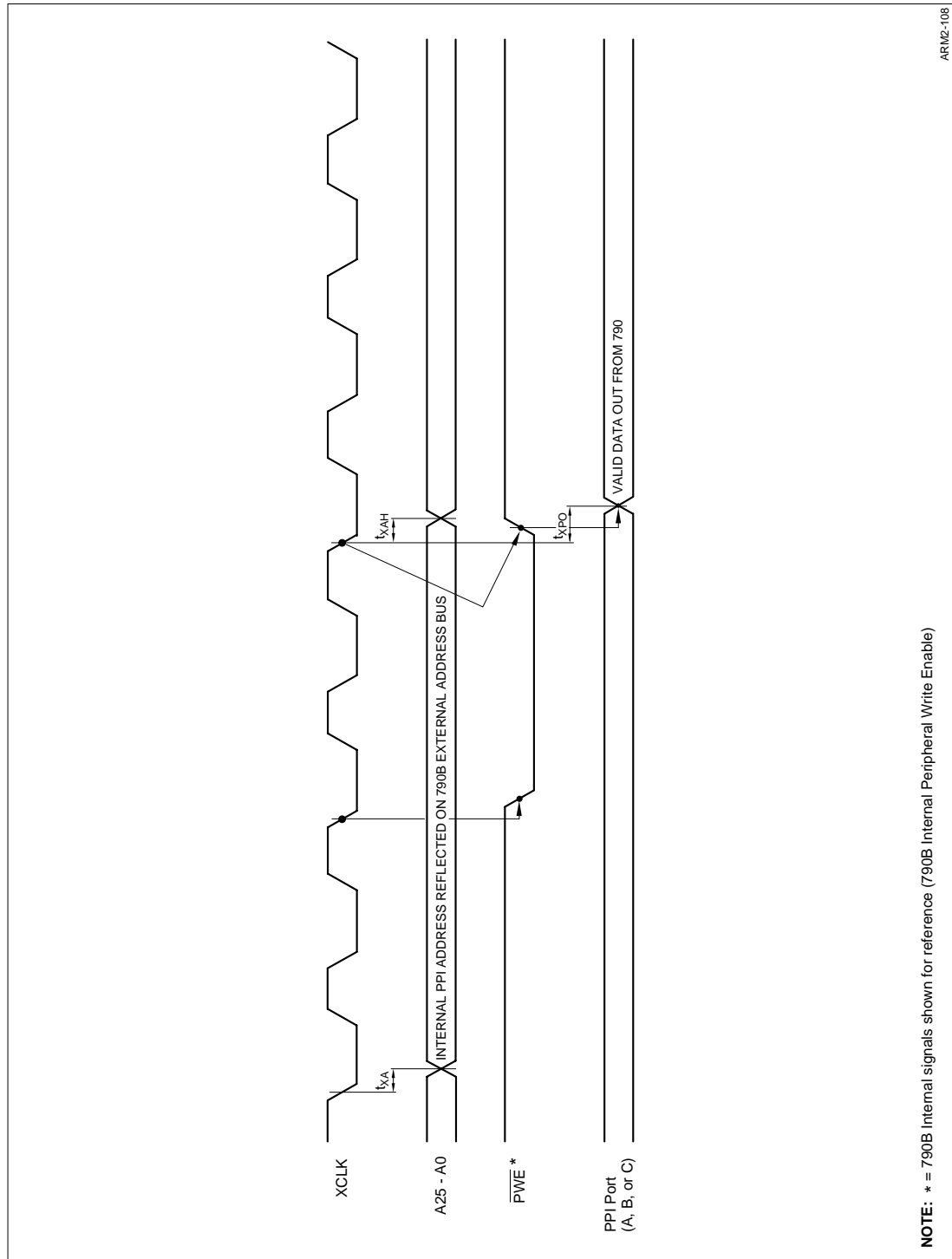


Figure 9. Programmable Peripheral Interface (MODE 0, Output) AC Timing

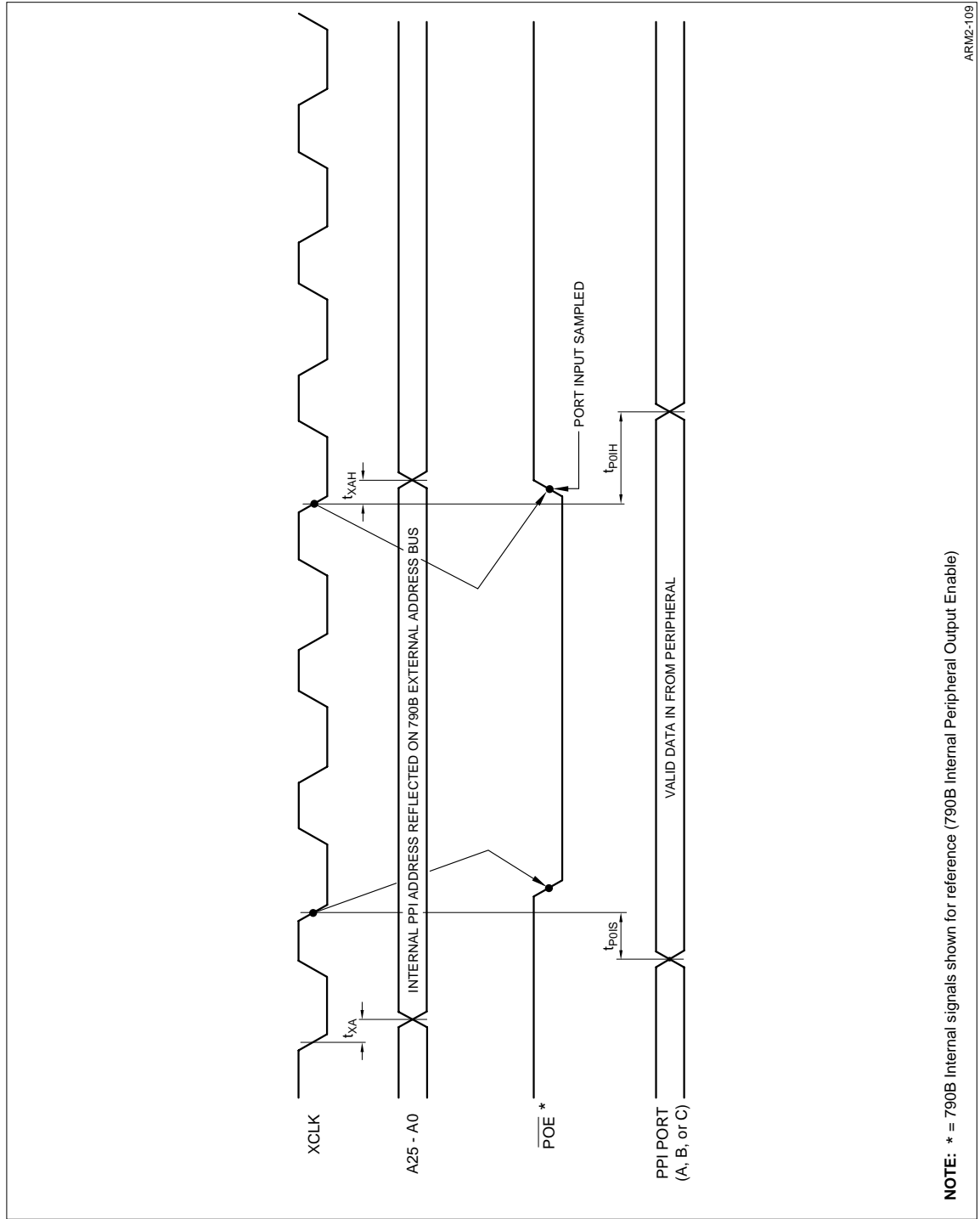
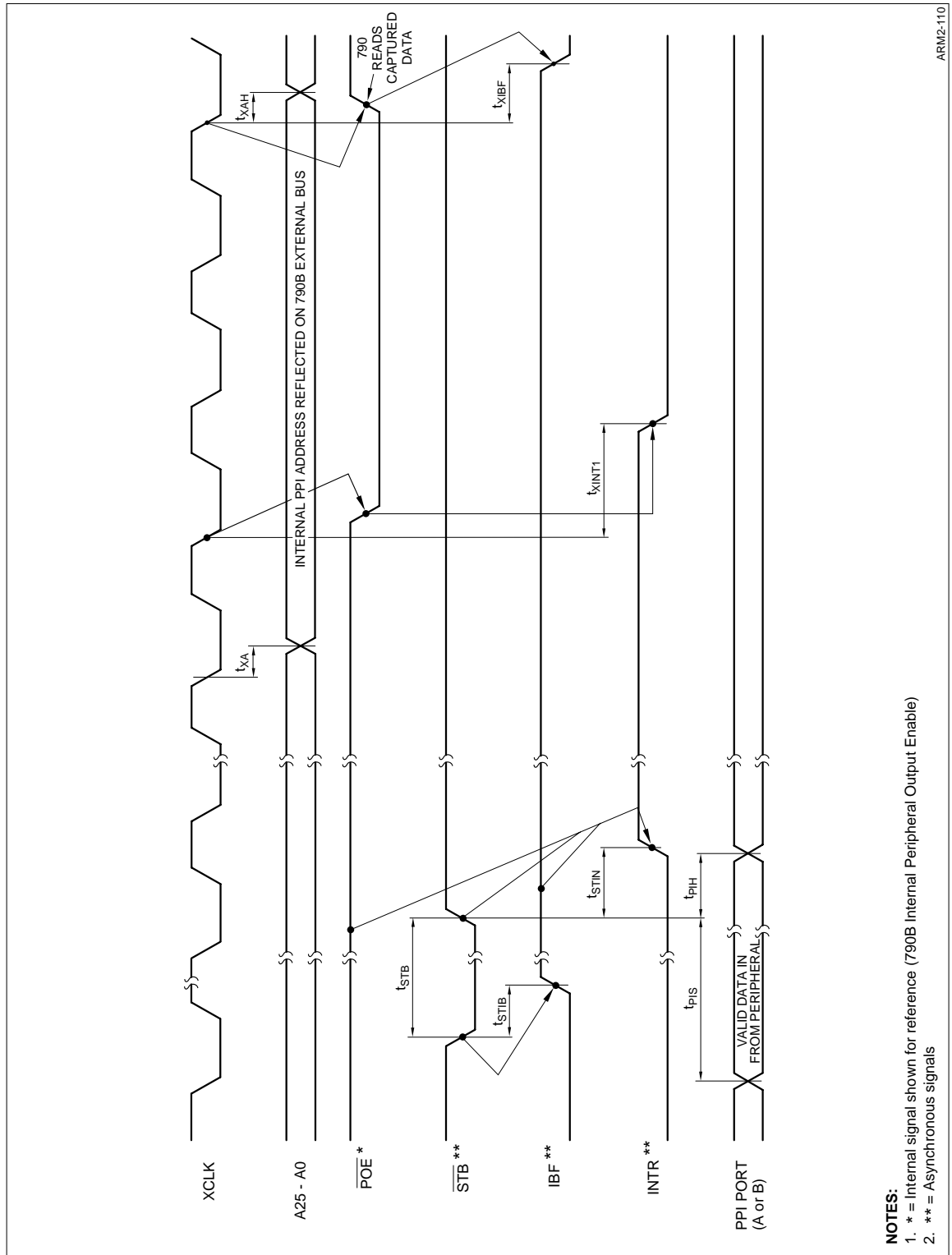
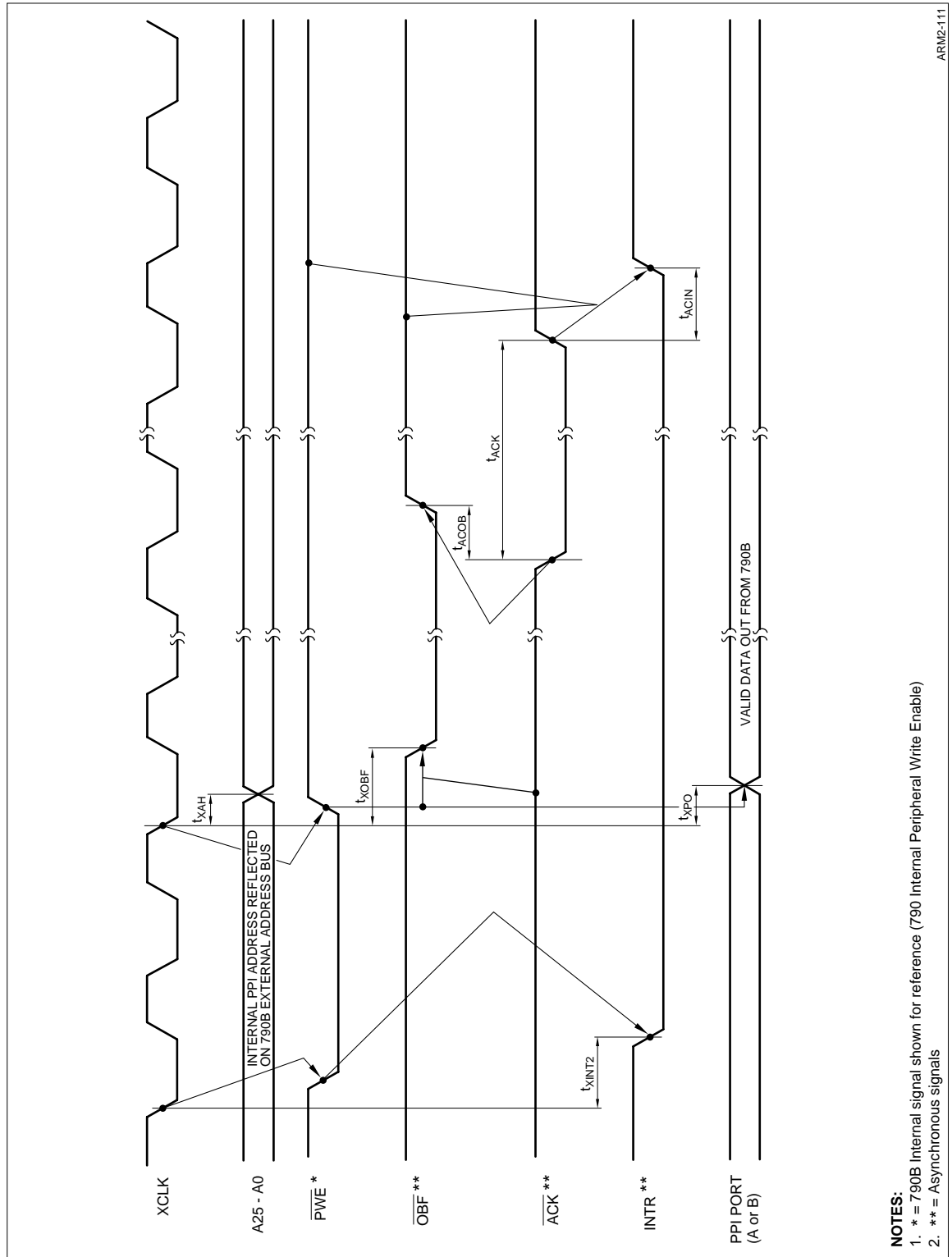


Figure 10. Programmable Peripheral Interface (MODE 0, Input) AC Timing



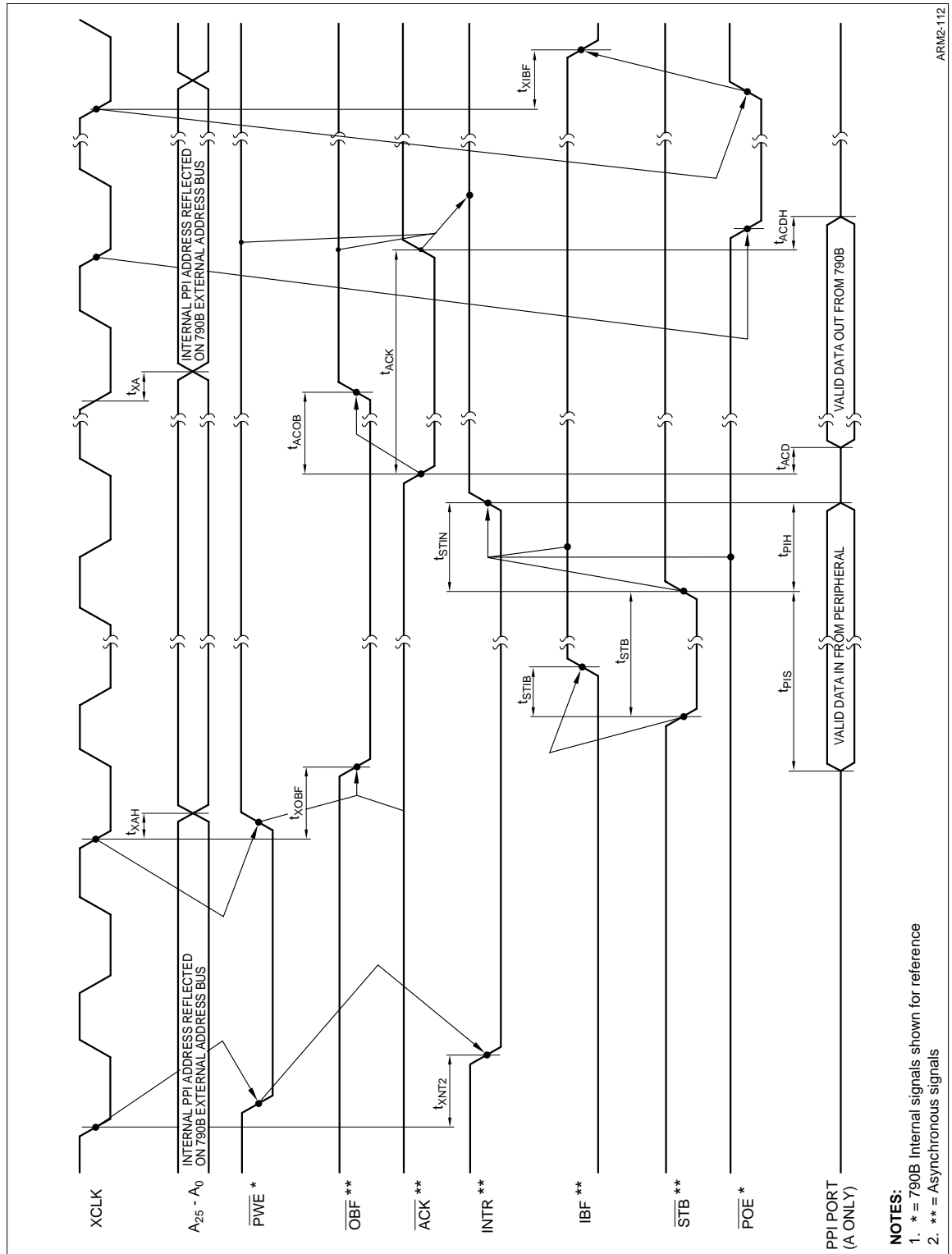
ARM2-110

Figure 11. Programmable Peripheral Interface (Mode 1, Input) AC Timing



ARM2-111

Figure 12. Programmable Peripheral Interface (Mode 1, Output) AC Timing



ARM2-112

Figure 13. Programmable Peripheral Interface (Mode 2, Bi-directional) AC Timing

Table 11. PPI Cross Reference

ALIAS	MODE 1 (INPUT)		MODE 1 (OUTPUT)		MODE 2 (BI-DIRECTIONAL)
	PORT A	PORT B	Port A	Port B	Port A
\overline{STB}	PC4	PC2	—	—	PC4
IBF	PC5	PC1	—	—	PC5
INTR	PC3	PC0	PC3	PC0	PC3
\overline{OBF}	—	—	PC7	PC1	PC7
\overline{ACK}	—	—	PC6	PC2	PC6

Table 12. PPI AC Specification

PARAMETER	DESCRIPTION	3.3 V RANGE		5.0 V RANGE		UNIT
		MIN.	MAX.	MIN.	MAX.	
t_{XPO}	XCLK \downarrow to Data Out Valid	—	54	—	41	ns
t_{P0IS}	Port Input Setup relative to XCLK \downarrow (MODE 0)	40	—	41	—	ns
t_{STIB}	\overline{STB} \downarrow to IBF \uparrow	—	34	—	27	ns
t_{PIS}	Port Input Setup relative to \overline{STB} \uparrow (MODES 1 & 2)	12	—	12	—	ns
t_{P0IH}	Port Input Hold relative to XCLK \downarrow (MODE 0)	10	—	7	—	ns
t_{PIH}	Port Input Hold relative to \overline{STB} \uparrow (MODES 1 & 2)	10	—	7	—	ns
t_{STIN}	\overline{STB} \downarrow to INTR \uparrow	—	32	—	25	ns
t_{XINT1}	XCLK \downarrow to INTR \downarrow (MODE 1 Input)	—	78	—	57	ns
t_{XIBF}	XCLK \downarrow to IBF \downarrow	—	52	—	40	ns
t_{STB}	\overline{STB} Pulse Width	17	—	14	—	ns
t_{XINT2} (Bit A)	XCLK \downarrow to INTR \downarrow (MODE 1 Output & MODE 2)	—	86	—	56	ns
t_{XINT2} (Port B)	XCLK \downarrow to INTR \downarrow (MODE 1 Output & MODE 2)	—	57	—	44	ns
t_{XOBF}	XCLK \downarrow to \overline{OBF} \downarrow	—	57	—	44	ns
t_{ACK}	\overline{ACK} Pulse Width	15	—	12	—	ns
t_{ACIN}	\overline{ACK} \uparrow to INTR \uparrow	—	34	—	27	ns
t_{ACOB}	\overline{ACK} \downarrow to \overline{OBF} \uparrow	—	44	—	28	ns
t_{ACD}	\overline{ACK} \downarrow to Data Out Valid	—	39	—	27	ns
t_{ACDH}	Data Out Hold relative to \overline{ACK} \uparrow	6	—	6	—	ns

External Reset

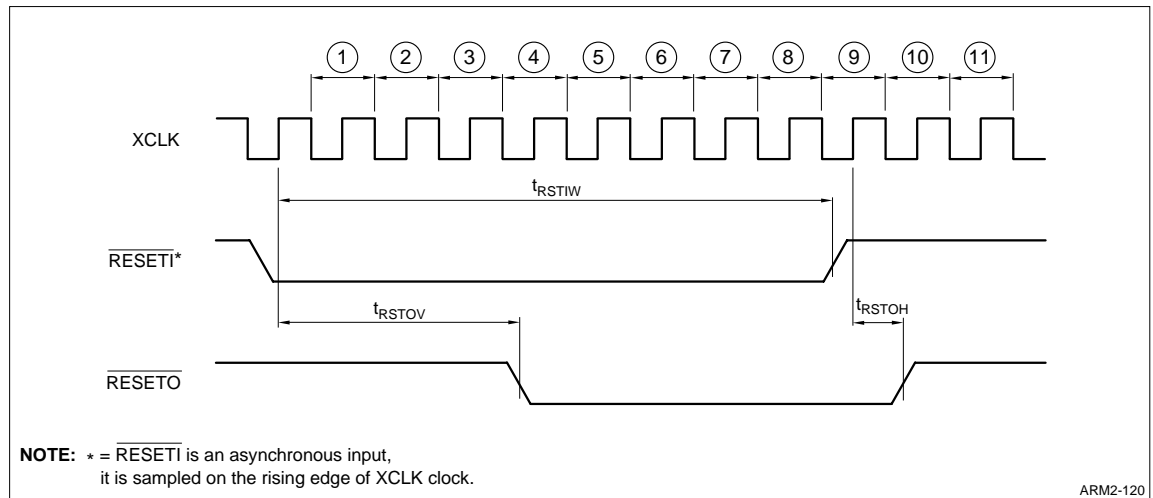


Figure 14. LH77790B External Reset AC Timing

Table 13. External Reset AC Specifications

PARAMETER	DESCRIPTION	(3.3 V RANGE)			(5.0 V RANGE)			UNIT
		MIN.	TYP.	MAX.	MIN.	TYP.	MAX.	
t_{RSTIW}	$\overline{\text{RESETI}}$ Pulse Width (Once Sampled Low)	8.5	—	—	8.5	—	—	XCLK
t_{RSTOV}	$\overline{\text{RESETO}}$ Valid (Once $\overline{\text{RESETI}}$ Sampled Low)	—	3.5	—	—	3.5	—	XCLK
t_{RSTOH}	$\overline{\text{RESETO}}$ Hold (Once $\overline{\text{RESETI}}$ Sampled High)	—	1	—	—	1	—	XCLK

LCD Controller

The LCD controller signals (VD[7:0], CP1, CP2, S, MCLK, LCDCNTL) are fully programmable to drive most common passive LCD panels. The 'Basic Timing' section of Chapter 10 in the LH77790B User Guide, best describes the relationship between the output signals and the control registers in the LCD controller. The following tables and equations are repeated here for convenience.

Table 14. LCD Controller Parameter Description

PARAMETER	DESCRIPTION	NOTE
DUTY	Number of CP1 Pulses per Frame (LCD_DUTY)	1
BC	Number of Memory Bytes in a Horizontal Line (LCD_BC)	1
CP1W	Line Pulse High Width (LCD_CP1W)	1
CLKDIV	Clock Frequency Divider (LCD_CLKDIV)	1
$t_{LCD_in_CLK}$	LCD Input Clock from Power Management Unit	
t_{LCDCLK}	LCD Reference Clock (Output of Clock Divider)	
t_S	Frame Pulse Period	
t_{CP1}	Line Pulse Period	
t_{CP2}	Shift Clock Period	
t_{PXF}	Pixels Transfer Time per Line	
t_{CP1W}	Line Pulse High Width Time	
t_{12}	Current Frame CP1 ↓ to Current Frame CP2 ↑	
t_{12F}	Current Frame CP1 ↓ to next frame CP2 ↑	
t_{21}	CP2 ↓ to CP1 ↑	
t_{DS}	Data Setup time	
t_{DH}	Data Hold time	
t_{SS}	S signal Setup time	
t_{SH}	S signal Hold time	
t_{1M}	CP1 ↓ to MCLK Inverting	

NOTE: Decimal 'equivalent' values, as defined in the corresponding parameters tables, must be used in timing equations.

The following equations (see above note) and parameters describe the relationship between LCD input Clock, S, CP1, CP2, and MCLK.

$$t_{LCDCLK} = CLKDIV \times t_{LCD_in_CLK} \quad (t_{LCD_in_CLK} = XCLK \text{ period})$$

$$t_S = t_{CP1} \times DUTY$$

$$t_{CP1} = t_{PXF} + t_{CP1W} + t_{12}$$

t_{PXF} , t_{CP1W} , and t_{CP2} vary from one display mode to another. Their typical values are shown in Table 15.

Table 15. Typical AC Timing for LCD Controller (3.3 V and 5.5 V Ranges)

DISPLAY MODE	t_{PXFR}	t_{CP1W}	t_{CP2}
1a (4-bit)	$2 \times BC \times t_{CP2}$	$(CP1W+1/2) \times t_{CP2}$	$2 \times t_{lcdclk}$
1b (8-bit)	$BC \times t_{CP2}$	$(CP1W+1/2) \times t_{CP2}$	$4 \times t_{lcdclk}$
2	$BC \times t_{CP2}$	$(CP1W+1/2) \times t_{CP2}$	$4 \times t_{lcdclk}$
3a (4-bit)	$2 \times BC \times t_{CP2}$	$(CP1W-1/2) \times t_{CP2}$	$4 \times t_{lcdclk}$
3b (8-bit)	$BC \times t_{CP2}$	$(CP1W) \times t_{CP2}$	$8 \times t_{lcdclk}$
4	$BC \times t_{CP2}$	$(CP1W+1/2) \times t_{CP2}$	$8 \times t_{lcdclk}$
5	$2 \times BC \times t_{CP2}$	$(CP1W-1/2) \times t_{CP2}$	$4 \times t_{lcdclk}$
6	$BC \times t_{CP2}$	$(CP1W+1/2) \times t_{CP2}$	$8 \times t_{lcdclk}$

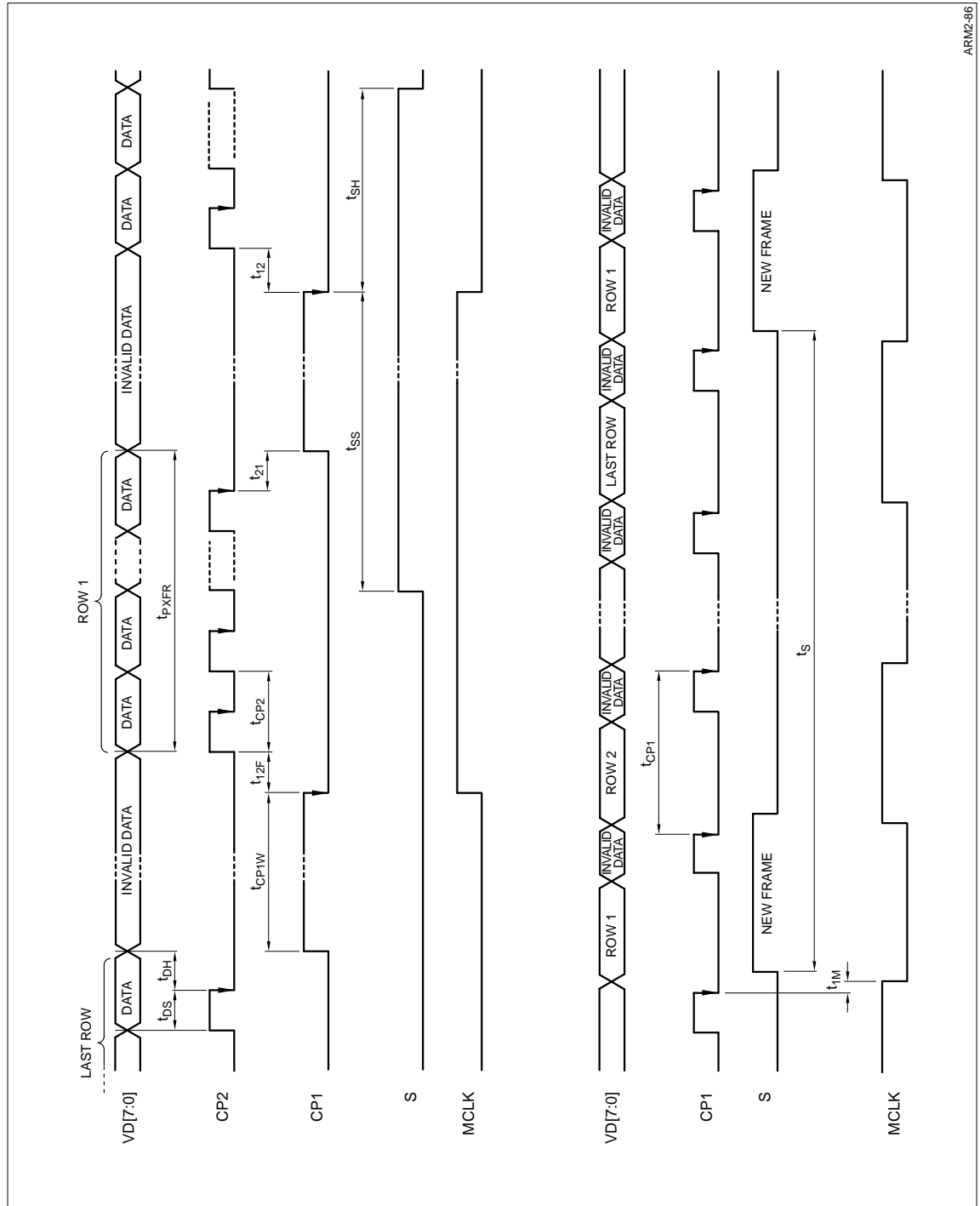
Other timing parameters are shown in Table 16.

Table 16. Other Typical LCD Timing Parameters (3.3 V and 5.5 V Ranges)

VARIABLE	VALUE	NOTES
t_{DS}	$1/2 \times t_{CP1}$	
t_{DH}	$1/2 \times t_{CP1}$	
t_{12}	$1/2 \times t_{CP1}$	
t_{12F}	Variable	1
t_{21}	$1/2 \times t_{CP1}$	
t_{SH}	$3.5 \times t_{CP1}$	
t_{SS}	$t_{PXFR} + t_{CP1W} - t_{SH}$	
t_{1M}	0	2

NOTES:

1. Since this delay happens once a frame, its effect on the frame rate is small, t_{12} will be used in the timing equations.
2. MCLK clock changes on a falling edge of CP1 clock as programmed by LCD_MCLKW register.
3. Actual timing may vary from those calculated depending on current instruction executed, memory speed, DRAM Refresh Rate, etc.



ARM2-86

Figure 15. LCD Controller AC Timing

Package Specifications

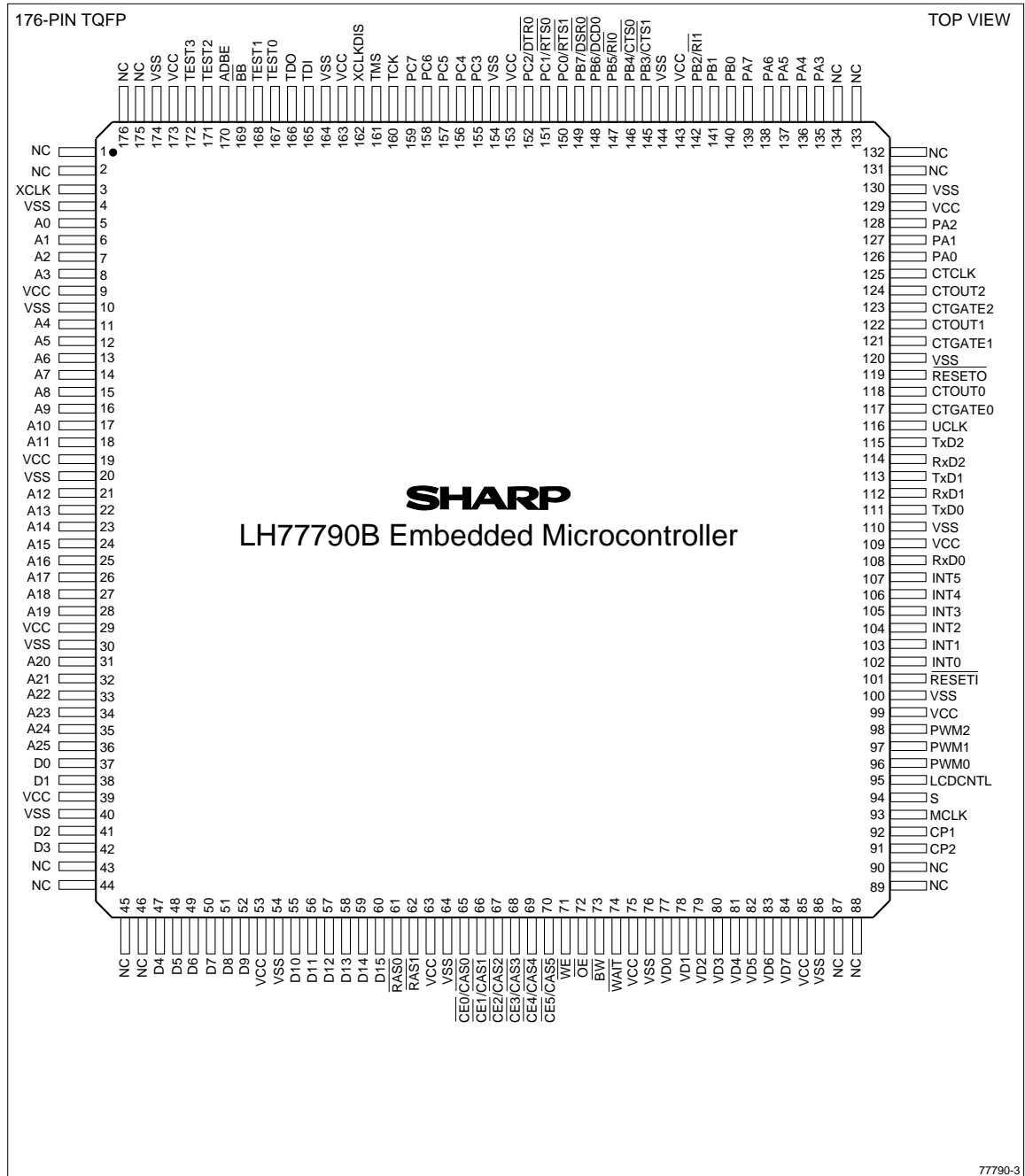


Figure 16. LH77790B 176-Pin TQFP (Thin Quad Flat Pack) Pin Assignment

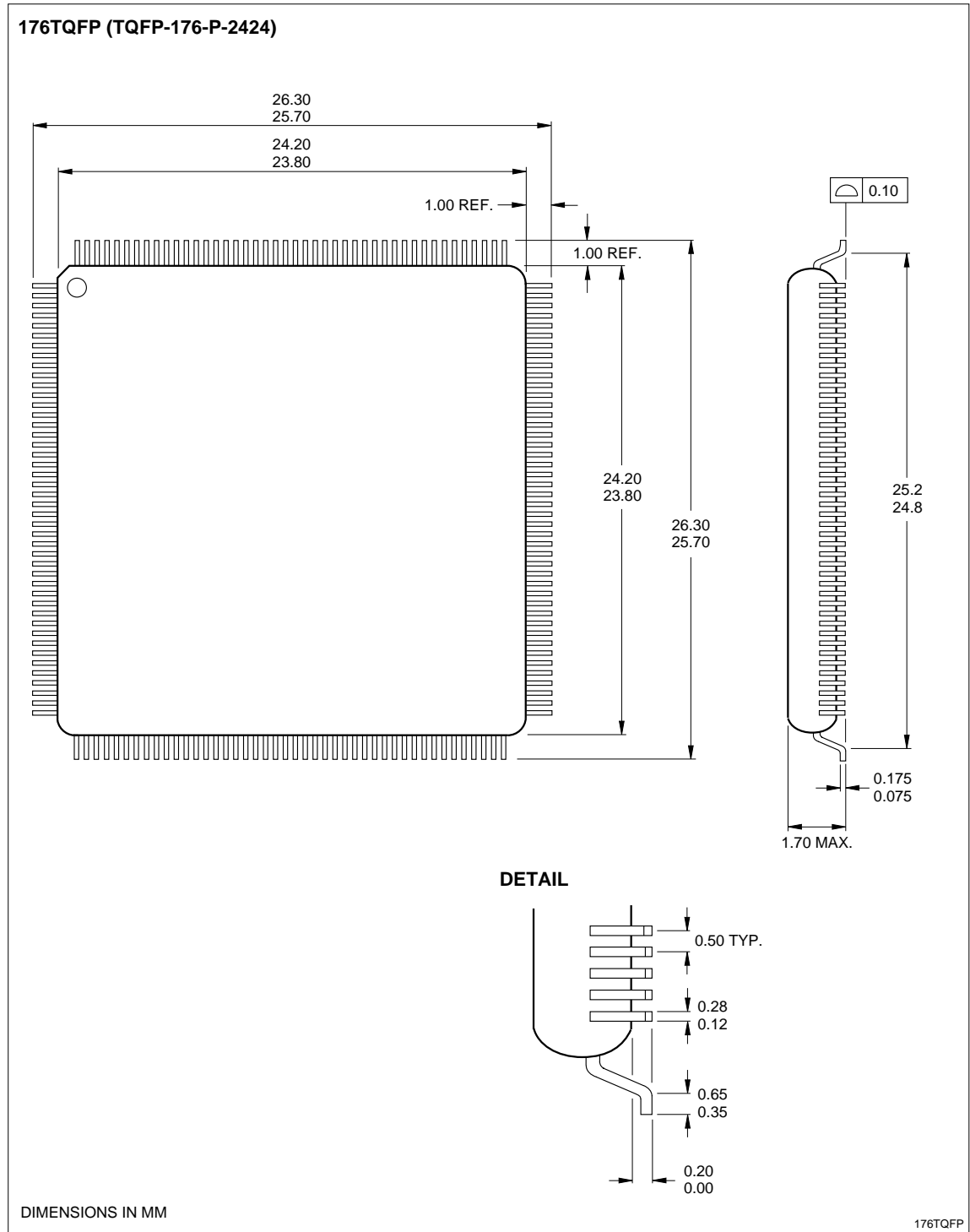


Figure 17. LH77790B Package Specification

SHARP®

NORTH AMERICA

SHARP Microelectronics
of the Americas
5700 NW Pacific Rim Blvd.
Camas, WA 98607, U.S.A.
Phone: (360) 834-2500
Facsimile: (360) 834-8903
<http://www.sharpsma.com>

EUROPE

SHARP Electronics (Europe) GmbH
Microelectronics Division
Sonninstraße 3
20097 Hamburg, Germany
Phone: (49) 40 2376-2286
Facsimile: (49) 40 2376-2232
<http://www.sharpmc.com>

ASIA

SHARP Corporation
Integrated Circuits Group
2613-1 Ichinomoto-Cho
Tenri-City, Nara, 632, Japan
Phone: (07436) 5-1321
Facsimile: (07436) 5-1532
<http://www.sharp.co.jp>