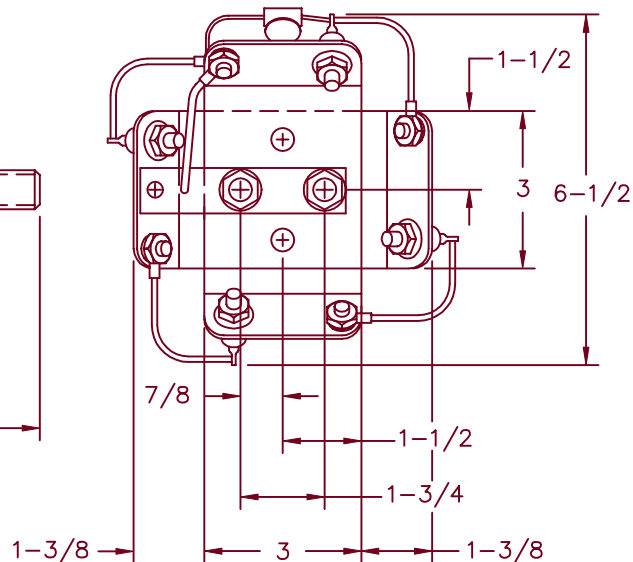
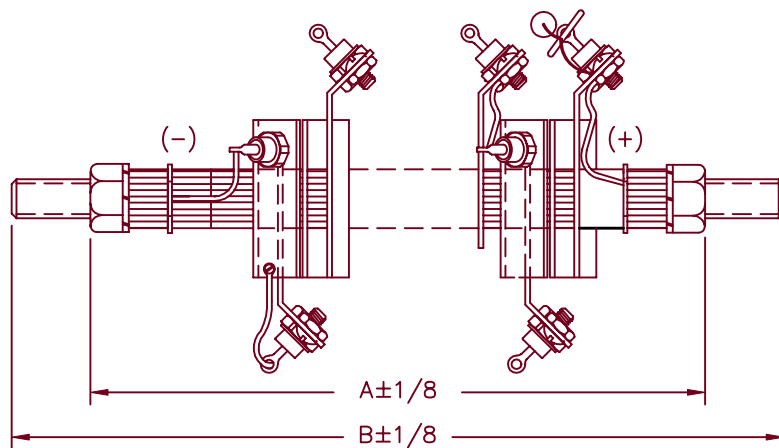


High Voltage Rectifier Assembly LHV37 Series



Mounting: Horizontal (convection cooling)

Horizontal or vertical (forced air or oil)

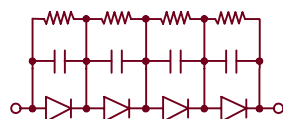
DC output rating— 19 Amps/25°C convection cooled

— 50 Amps/40°C forced air cooled

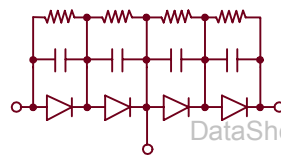
@ 1000 LFM

— 75 Amps/40°C oil cooled

Peak Reverse voltage— from 8KV to 80KV



H = Halfwave



D = Doubler

- Single Phase Halfwave Or Doubler
- Gold Iridited Aluminum Heatsinks
- Each Diode is R-C Compensated
- 1500 Amperes Surge Current (1 Cycle)
- Resistive - Inductive Load. Derate 20% for Capacitive Loads

| CATALOG NUMBER | PRV RATING KV | DIMENSION A | DIMENSION B |
|----------------|---------------|-------------|-------------|
| LHV37*8 | 8 | 5-5/8 | 7-3/4 |
| LHV37*12 | 12 | 6-3/4 | 8-3/4 |
| LHV37*16 | 16 | 7-7/8 | 10 |
| LHV37*20 | 20 | 9 | 11 |
| LHV37*24 | 24 | 10-1/8 | 12-1/4 |
| LHV37*28 | 28 | 11-1/4 | 13-1/4 |
| LHV37*32 | 32 | 12-3/8 | 14-1/2 |
| LHV37*36 | 36 | 13-1/2 | 15-1/2 |
| LHV37*40 | 40 | 14-5/8 | 16-3/4 |
| LHV37*44 | 44 | 15-3/4 | 17-3/4 |
| LHV37*48 | 48 | 16-7/8 | 19 |
| LHV37*52 | 52 | 18 | 20 |
| LHV37*56 | 56 | 19-1/8 | 21-1/4 |
| LHV37*60 | 60 | 20-1/4 | 22-1/4 |
| LHV37*64 | 64 | 21-3/8 | 23-1/2 |
| LHV37*68 | 68 | 22-1/2 | 24-1/2 |
| LHV37*72 | 72 | 23-5/8 | 25-3/4 |
| LHV37*76 | 76 | 24-3/4 | 27 |
| LHV37*80 | 80 | 25-5/8 | 28 |

*Add H or D For doublers add 1" to both dimensions A & B

LHV37

