



LEOPARD IMAGING INC

Rev. 1.1

Key Features

- USB 3.0 Super Speed support
- YUV output without compression
- UVC compliance
- USB 2.0 backwards compatible
- Dual Camera
- Adjustable two cameras distance
- Provide customization services
- USB +5VDC powered device
- color CMOS 4M image sensor
- Optical format: 1/3"
- 3 boards: 1 OV580 and 2 OV4689
- 2 I-PEX cables: FAW-1212-TX
Length: 200mm
- Part#: **LI-OV580-STEREO**

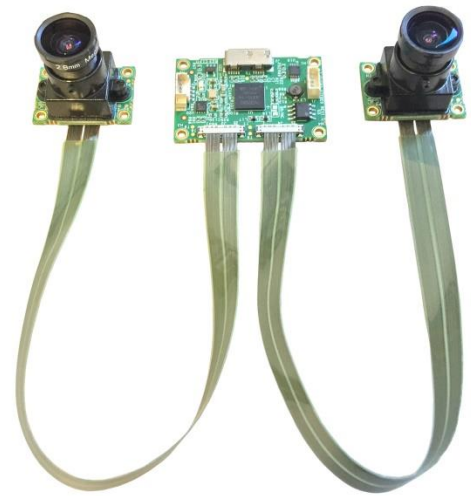
Interface

- Part#: 20498-026E-41
- Number of Positions: 26
- Shell Plating: Sn
- Vacuum Clip: With

SDK Supported

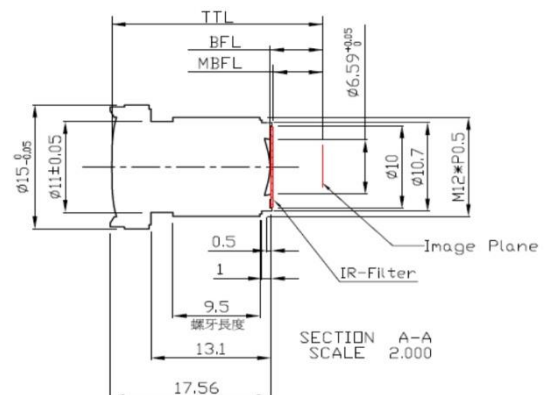
- Camera Tool Source Code in C#
- Capture & Display

LI-OV580-STEREO Data Sheet



Lens Spec

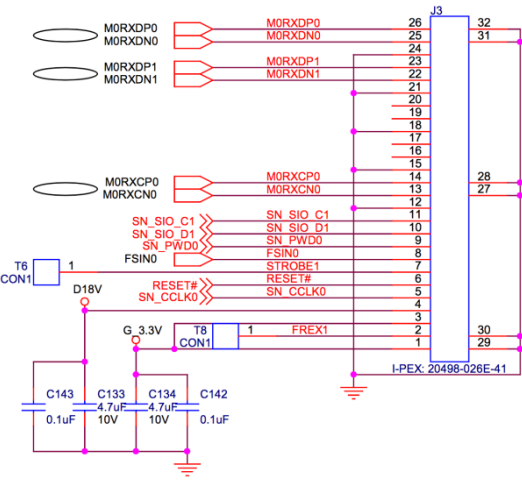
- Part#: YC-155N
- Sensor size: 1/3"
- Focal Length: 2.8 mm
- Aperture, F/#: 2.0
- Built in 650 nm IR cut filter
- FOV (D/H/V): 109 °88 °72 °
- TV Distortion: < 12%
- TTL: 23.07 mm
- BFL/MBFL: 5.81 mm/ 5.61 mm
- Mount: M12



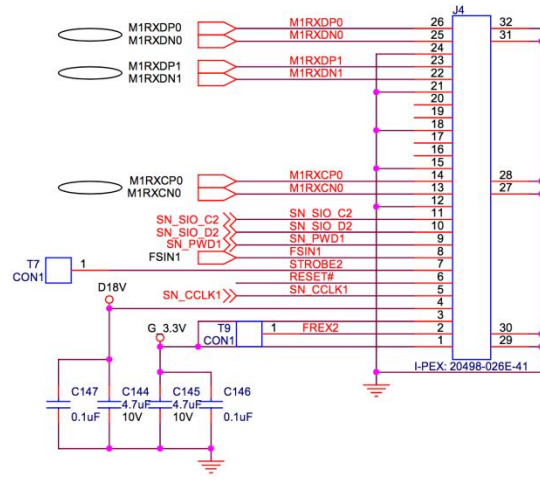
Leopard Imaging Inc.

1130 Cadillac Ct., Milpitas, CA 95035, USA
 Phone: +1-408-263-0988
 Fax: +1-408-217-1960
 Email: sales@leopardimaging.com
 Website: www.leopardimaging.com
 www.leopard-security.com

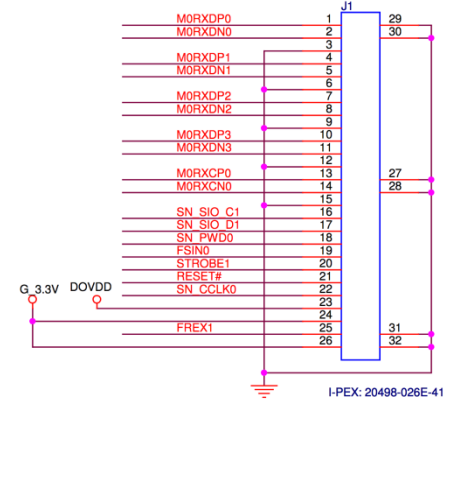
Pin Assignment



J3 (OV580)

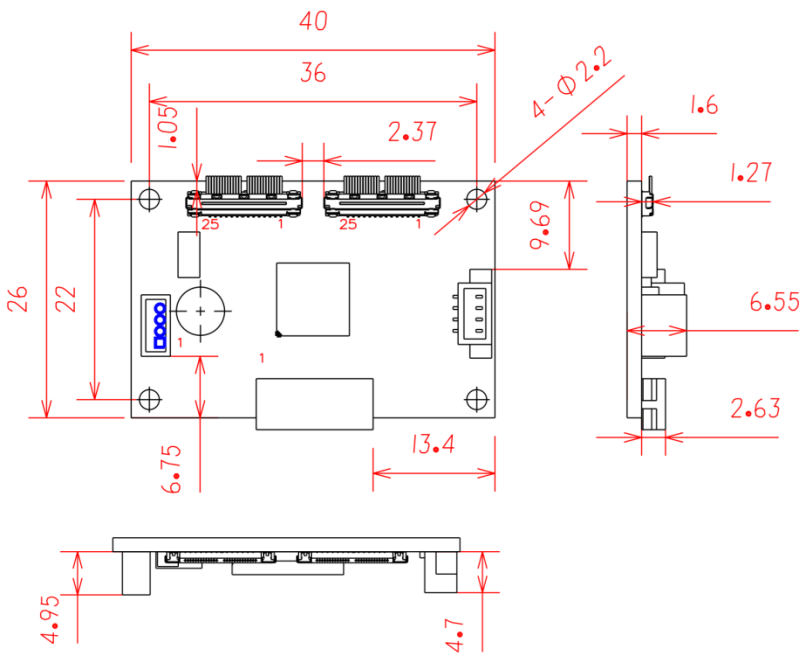


J4 (OV580)

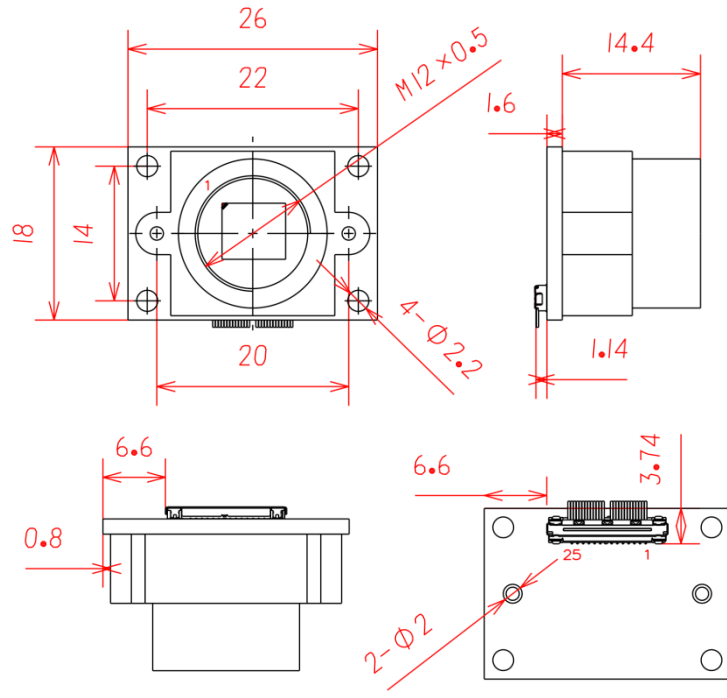
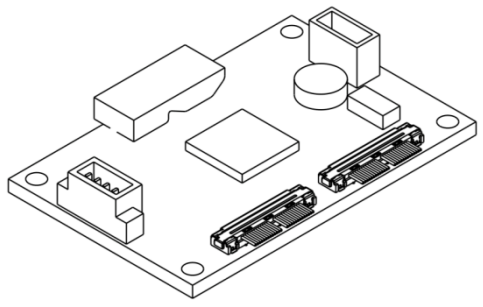


J1 (OV4689)

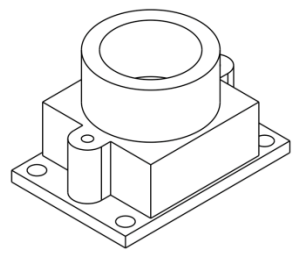
Dimensions



OV580



OV4689 (without lens)

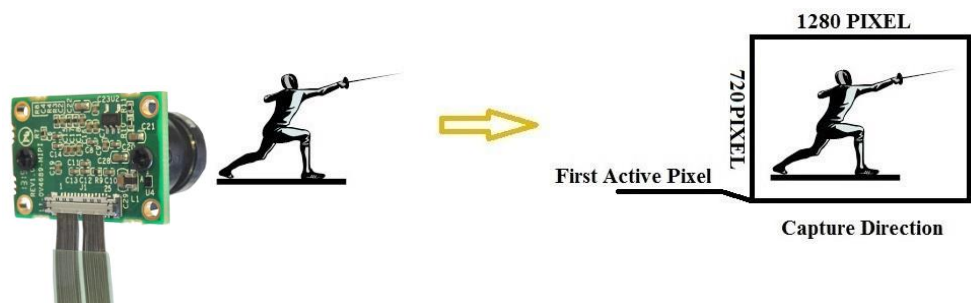


Leopard Imaging Inc.

1130 Cadillac Ct., Milpitas, CA 95035, USA
 Phone: +1-408-263-0988
 Fax: +1-408-217-1960
 Email: sales@leopardimaging.com
 Website: www.leopardimaging.com
 www.leopard-security.com

General Behavior		
Video Resolution @ Frame rate	4416 x 1242 (2 x 2208 x 1242) @ 15 fps 3840 x 1080 (2 x 1920 x 1080) @ 30 fps 2560 x 720 (2 x 1280 x 720) @ 60 fps 1280 x 480 (2 x 640 x 480) @ 100 fps	
Sensitivity	1900 mV/Lux-sec	
Interface (Optical)		
IR cut filter	Yes	
Sensor specification	OmniVision color CMOS 4M image sensor	
Shutter	Rolling	
Format	1/3"	
Resolution	H:2688, V:1520	
Pixel size	H: 2 um, V: 2 um	
Lens mount	M12 lens mount support	
Interface (Electrical)		
Interface	USB 3.0	
Supply voltage	USB 3.0 +5 VDC power source	
Current consumption	Approx. 295 mA at 5 VDC	
Interface (Mechanical)		
Dimensions	OV580	L: 40 mm, W: 26 mm, H: 6.55 mm
	OV4689	L: 26 mm, W: 18 mm, H: 16 mm (without lens)
Weight (with lens)	30 g	
Adjustment		
Manual	Brightness, Contrast, Hue, Saturation, Sharpness, White Balance (Default Auto), Gain, Exposure (Default Auto)	
Auto	White Balance, Exposure	
Environmental		
Max. temperature (operation)	0 °C ~ 50 °C (32 °F~ 122 °F)	
Max. temperature (storage)	-20 °C ~ 80 °C (-4 °F~176 °F)	
Max. humidity (operation)	20 % ~ 80 %, relative, non-condensing	
Max. humidity (storage)	20 % ~ 80 %, relative, non-condensing	

Capture Direction



Leopard Imaging Inc.

1130 Cadillac Ct., Milpitas, CA 95035, USA
 Phone: +1-408-263-0988
 Fax: +1-408-217-1960
 Email: sales@leopardimaging.com
 Website: www.leopardimaging.com
 www.leopard-security.com