

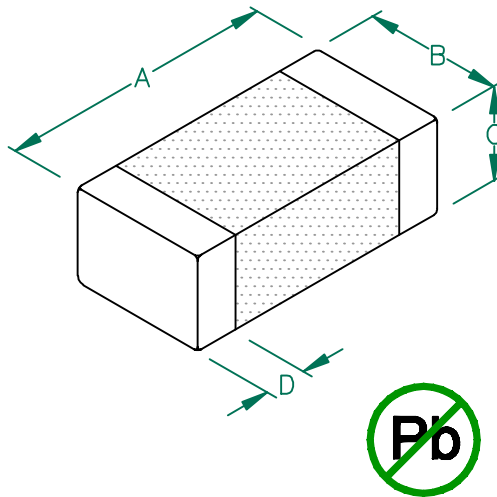
PHYSICAL DIMENSIONS:

A	3.20 [.126]	+ 0.20 [.008]
B	1.60 [.063]	+ 0.20 [.008]
C	1.10 [.043]	+ 0.20 [.008]
D	0.51 [.020]	+ 0.25 [.010]

# LI1206H151R-10

**UNCONTROLLED DOCUMENT**

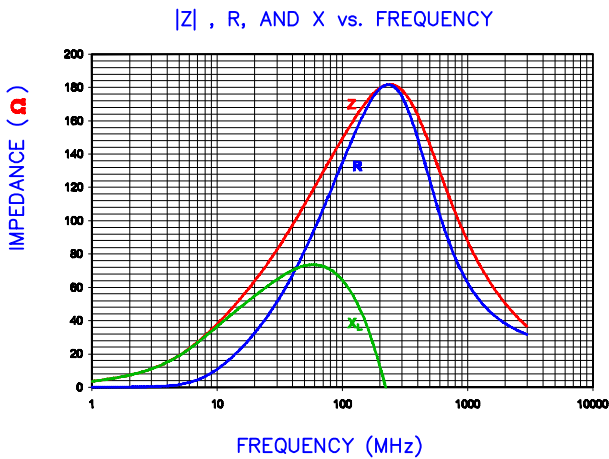
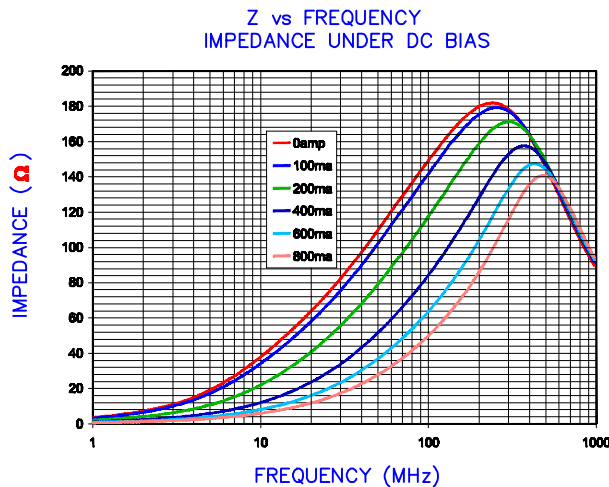
www.datasheet4u.com



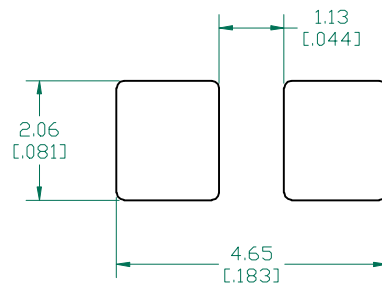
ELECTRICAL CHARACTERISTICS:		
Z @ 100MHz (Ω)	DCR (Ω)	Rated Current
Nominal	150	
Minimum	113	
Maximum	188	800 mA

NOTES: UNLESS OTHERWISE SPECIFIED

1. TAPED AND REELED per CURRENT EIA SPECIFICATIONS 7" REELS, 3000 PCS/REEL.
2. TERMINATION FINISH IS 100% TIN.
3. COMPONENTS SHOULD BE ADEQUATELY PREHEATED BEFORE SOLDERING.

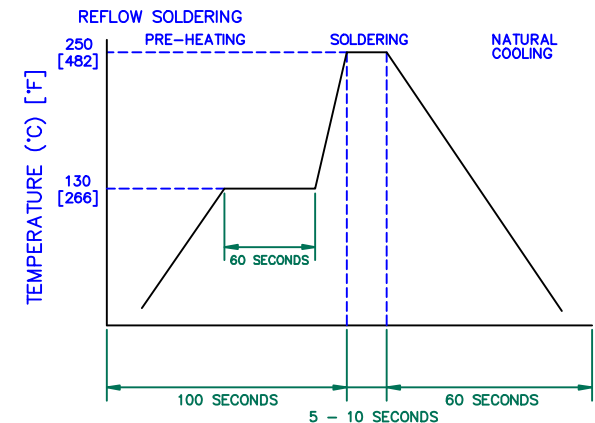


LAND PATTERNS FOR REFLOW SOLDERING



(For wave soldering, add 0.762 (.030) to this dimension)

RECOMMENDED SOLDERING CONDITIONS



DIMENSIONS ARE IN mm [INCHES].		This print is the property of Laird Tech. and is loaned in confidence subject to return upon request and with the understanding that no copies shall be made without the written consent of Laird Tech. All rights to design or invention are reserved.		<b>Laird TECHNOLOGIES</b>	
PROJECT/PART NUMBER:		REV	PART TYPE:	DRAWN BY:	
LI1206H151R-10		C	CO-FIRE	TMB	
C	UPDATE COMPANY LOGO	07/22/08	JRK	DATE:	04/05/04
B	CORRECT REF # FROM 3289 TO 3298	07/22/05	JRK	SCALE:	NTS
A	ORIGINAL DRAFT	04/05/04	TMB	TITLE #	
REV	DESCRIPTION	DATE	INT	CAD #	LI1206H151R-10-C

AGILENT E4991A RF Impedance/Material Analyzer  
HP 16194A Test Fixture. TEST REF. 3298

