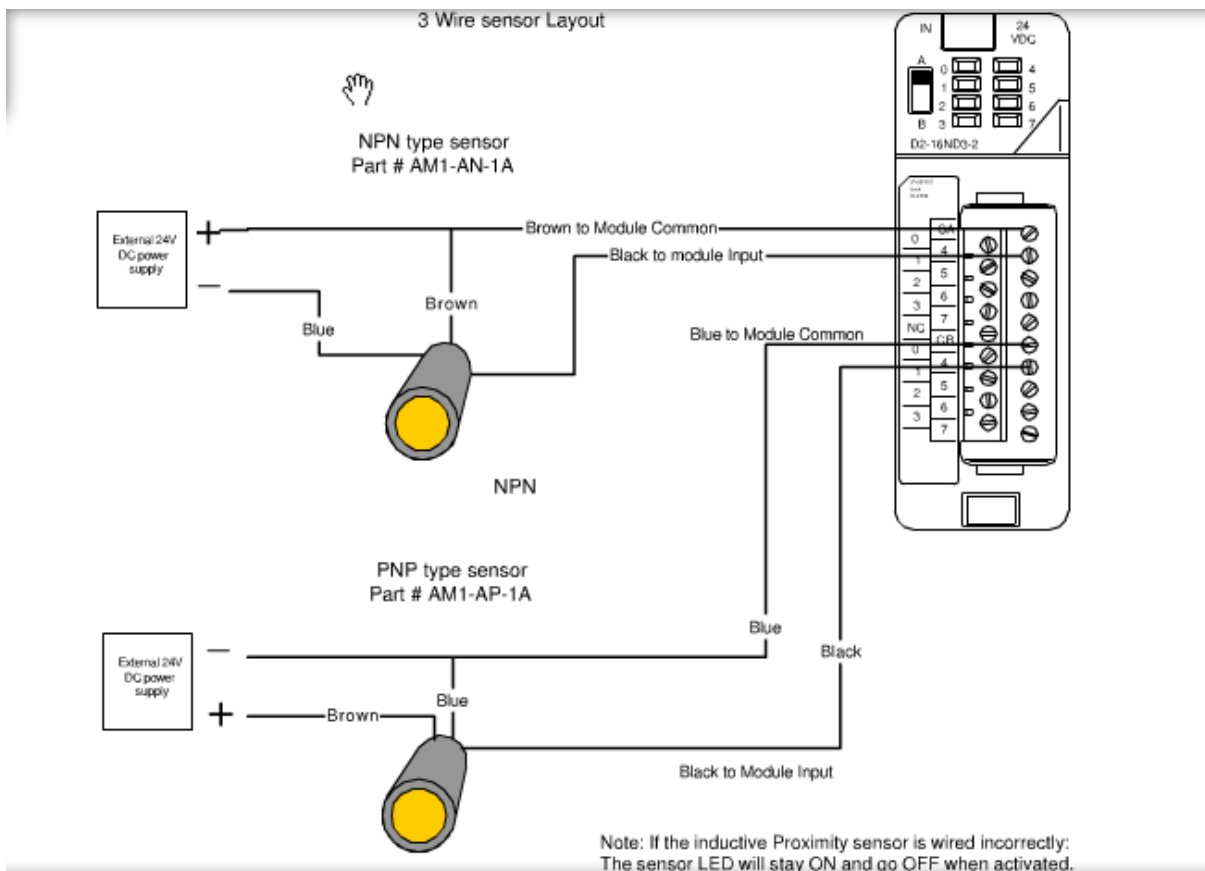


# Inductive Proximity Sensor, LJ12A3-4-Z/BX ,NPN,3-wire NO,diameter 12mm,Proximity Switch

Inductive Proximity sensor/switch			
Model:	LJ12A3-4-Z/BX	Output:	NPN,3 wire,NO
Size:	12mm	Work Voltage:	6VDC-36VDC
Detection Distance:	4mm	Output Current:	300mA
		Crust Material:	Metal



Connect the wires in the following order by finger twisting the bare ends together and covering the bare connection with the small wire nut. The black common should be connected to the power feed common of the control power system. The brown wire will be tied to the power feed voltage, 12VDC to 36 VDC, depending on the type of switch. The blue wire will be connected to the device that is being electrically controlled, usually a small electric relay.