

PROXIMITY INDUCTIVE 30EZ

Model:LJ30A3-15-J/EZ

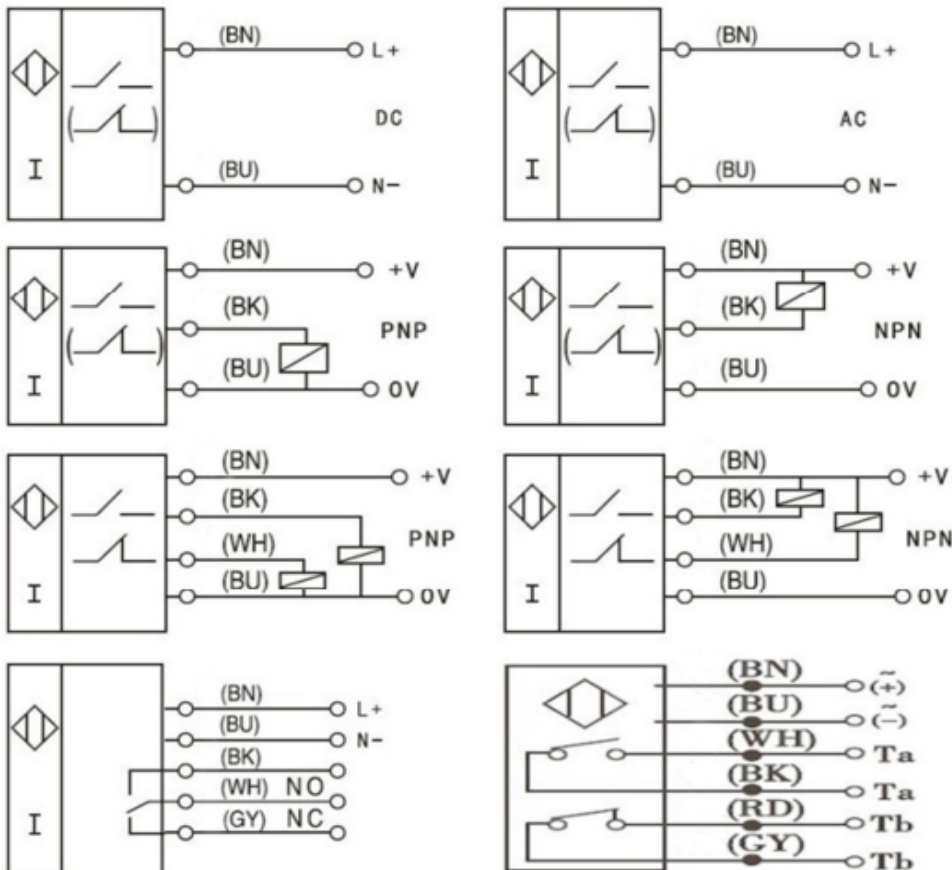


Specifications:

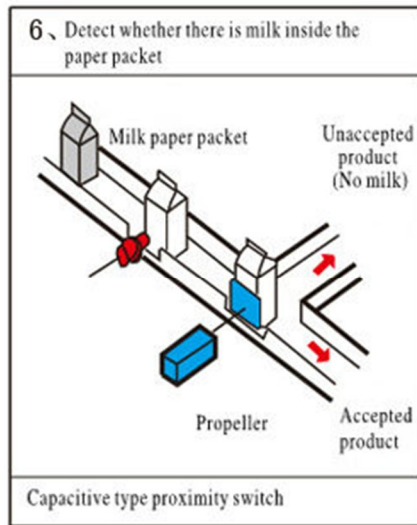
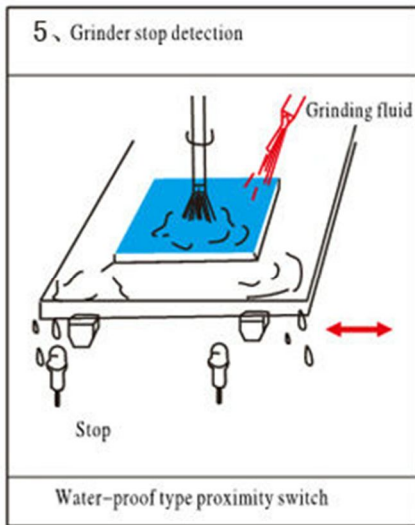
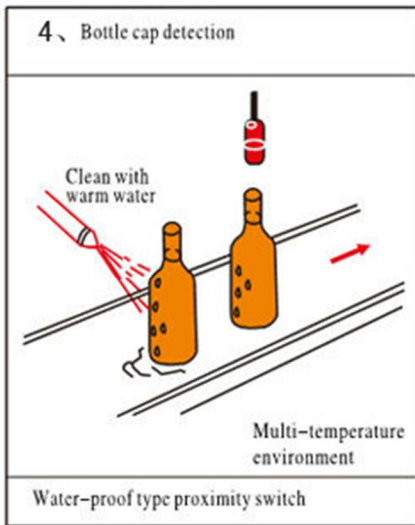
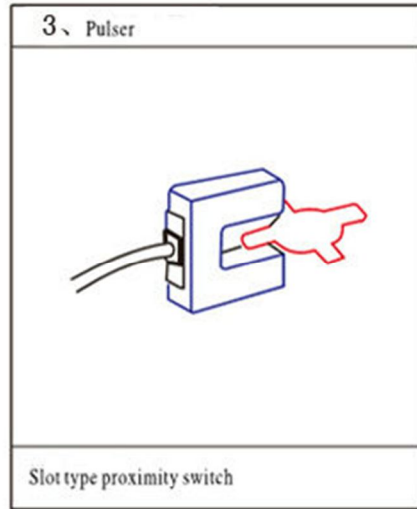
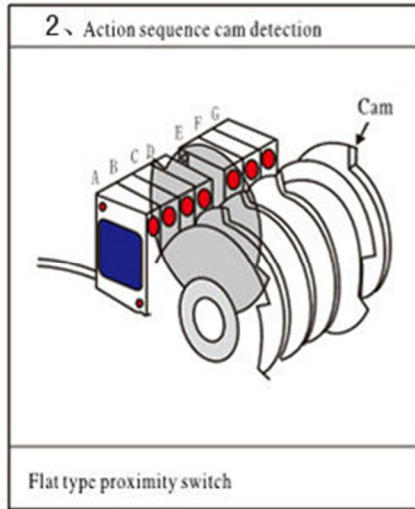
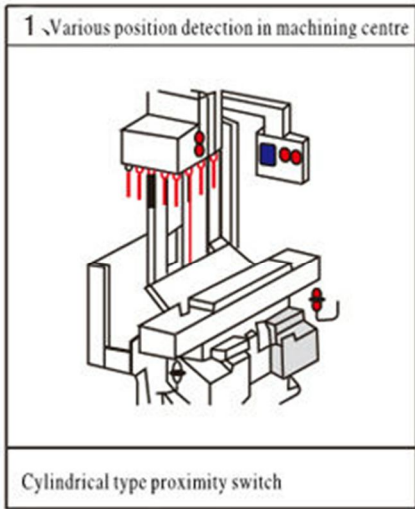
Product Name	Inductive Proximity Switch
Model	LJ30A3-15-J/EZ
Theory	Inductive Sensor
Wire Type	2 Wire Type (Brown, Blue)
Switch Appearance Type	Cylinder Type, Metal Shell
Output Type	NO (Normal Open)
Detection Distance	15mm +/- 10%
Electrical Voltage	90-250V AC
Set Distance	0~13mm
Output Current (max)	400mA
Detect objects	Iron
Standard Detection Object	Iron 54x54x1mm
Response Frequency	DC 0.5kHz , AC 25Hz
Column Sensor Diameter	30mm
Thread Diameter	30mm
External Dimensions	M30x70
Cable Length	1m
External Material	Plastic, Metal

Dimension		M30		
Detection Distance		15mm		
Dimensional Drawing				
Model	DC Type	NPN	NO	LJ30A3-15-Z/BX
			NC	LJ30A3-15-Z/AX
			NO+NC	LJ30A3-15-Z/CX
		PNP	NO	LJ30A3-15-Z/BY
			NC	LJ30A3-15-Z/AY
			NO+NC	LJ30A3-15-Z/CY
	Two-wire	NO	LJ30A3-15-Z/EX	
		NC	LJ30A3-15-Z/DX	
	AC Type	Two-wire	NO	LJ30A3-15-J/EZ
			NC	LJ30A3-15-J/DZ
Three-wire		NO+NC	LJ30A3-15-J/EDZ	

Installation:



Applications legend:



Made in China