

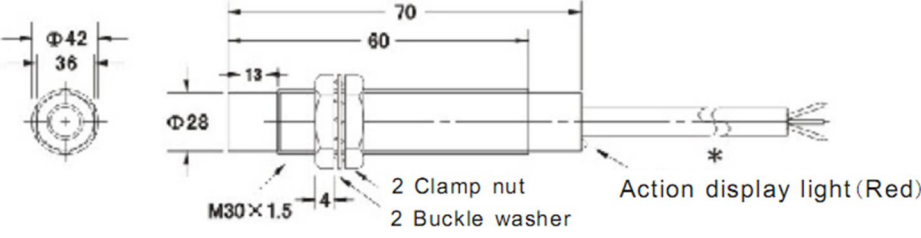
# PROXIMITY INDUCTIVE 30EX

**Model:LJ30A3-15-Z/EX**

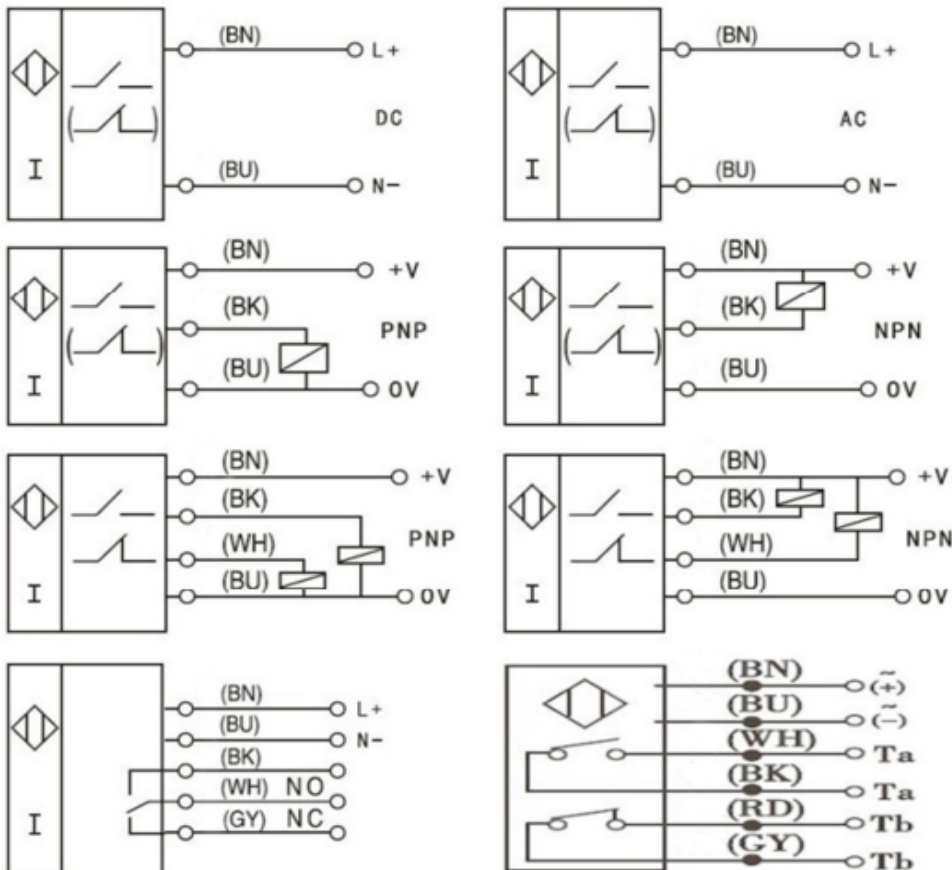


## **Specifications:**

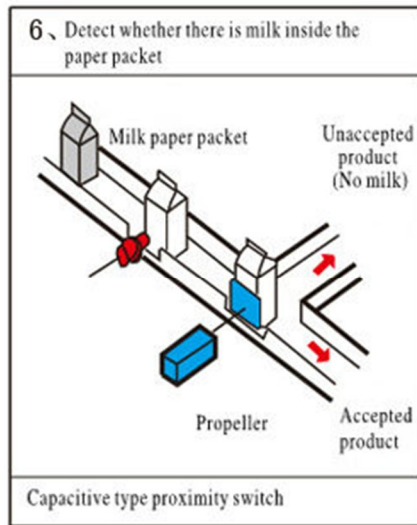
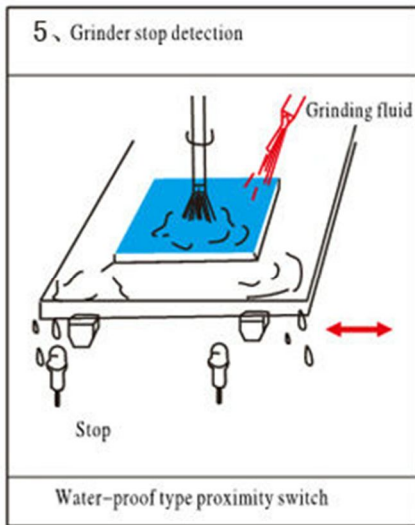
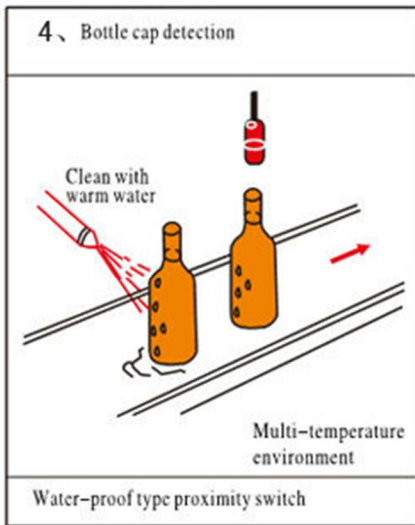
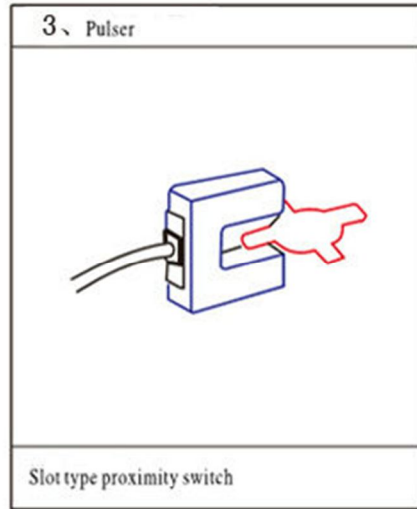
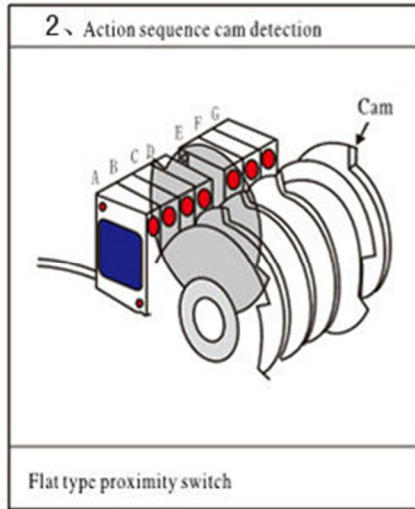
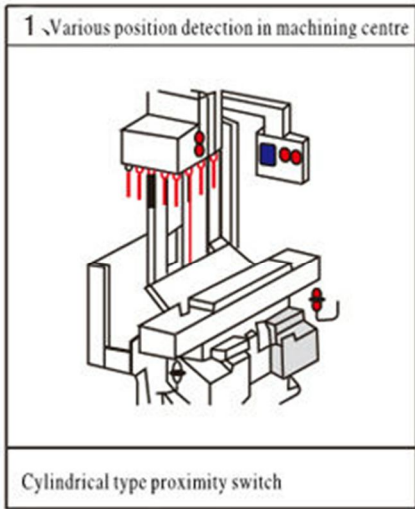
Product Name	Inductive Proximity Switch
Model	LJ30A3-15-Z/EX
Theory	Inductive Sensor
Wire Type	2 Wire Type (Brown, Blue)
Switch Appearance Type	Cylinder Type, Metal Shell
Output Type	NO (Normal Open)
Detection Distance	15mm +/- 10%
Electrical Voltage	6-36V DC
Set Distance	0~13mm
Output Current (max)	200mA
Detect objects	Iron
Standard Detection Object	Iron 54x54x1mm
Response Frequency	DC 0.5kHz , AC 25Hz
Column Sensor Diameter	30mm
Thread Diameter	30mm
External Dimensions	M30x70
Cable Length	1m
External Material	Plastic, Metal

<b>Dimension</b>		<b>M30</b>		
<b>Detection Distance</b>		<b>15mm</b>		
<b>Dimensional Drawing</b>				
<b>Model</b>	<b>DC Type</b>	<b>NPN</b>	<b>NO</b>	<b>LJ30A3-15-Z/BX</b>
			<b>NC</b>	<b>LJ30A3-15-Z/AX</b>
			<b>NO+NC</b>	<b>LJ30A3-15-Z/CX</b>
		<b>PNP</b>	<b>NO</b>	<b>LJ30A3-15-Z/BY</b>
			<b>NC</b>	<b>LJ30A3-15-Z/AY</b>
			<b>NO+NC</b>	<b>LJ30A3-15-Z/CY</b>
	<b>Two-wire</b>	<b>NO</b>	<b>LJ30A3-15-Z/EX</b>	
		<b>NC</b>	<b>LJ30A3-15-Z/DX</b>	
	<b>AC Type</b>	<b>Two-wire</b>	<b>NO</b>	<b>LJ30A3-15-J/EZ</b>
			<b>NC</b>	<b>LJ30A3-15-J/DZ</b>
<b>Three-wire</b>		<b>NO+NC</b>	<b>LJ30A3-15-J/EDZ</b>	

**Installation:**



**Applications legend:**



Made in China