

NAN YA PLASTICS CORPORATION

SPECIFICATION OF
LCD MODULE
PRODUCT NO.: LKBFBTJ61M23S_

SPEC. NO.: LMJ61-23-0

CUSTOMER
APPROVED BY
DATE:

LCD DEPARTMENT
ELECTRONIC MATERIALS DIVISION
NAN YA PLASTICS CORPORATION
201, TUNG HWA N. ROAD, TAIPEI
TEL: 886-2-27122211 EXT. 5993~5995
FAX: 886-2-27178253
E-mail: lcdsales@npc.com.tw

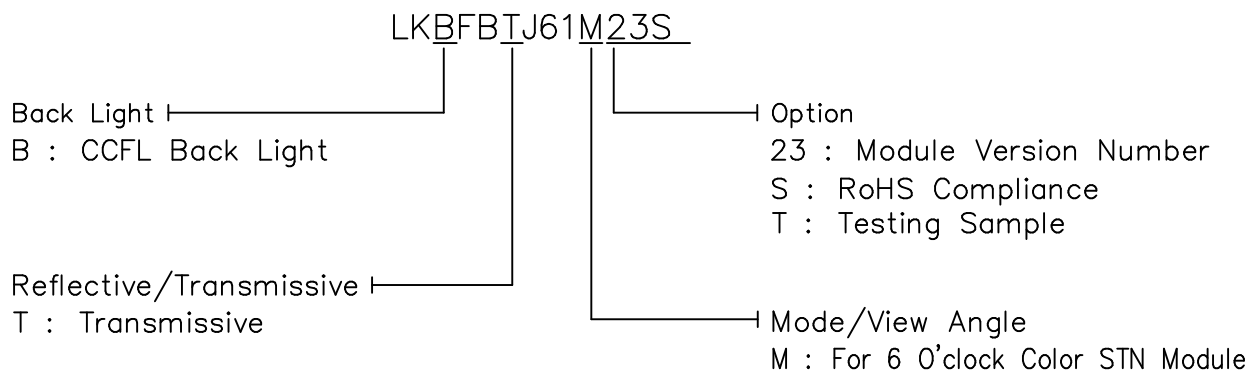
EDITED ON : Mar. 19. 2007

Q.C. DEPT.	DESIGN MANAGER	DESIGN CHECK	DESIGNER
			W. R. HSU

1. MECHANICAL DATA

NO	ITEM	CONTENTS	UNIT
1	Product No.	LKBFBTJ61M23S_	-
2	Module Size	154.6 (W) x 114.8 (H) x 9.0 (D)	mm
3	Dot Size	0.10 (W) x 0.34 (H)	mm
4	Dot Pitch	0.12 (W) x 0.36 (H)	mm
5	Number of Dots	320 xRGB(W) x240 (H)	Dot
6	Duty	1/240	-
7	LCD Display Mode	FSTN, Color STN Module	-
8	Rear Polarizer	Color Transmissive Type	-
9	Viewing Direction	6	O'clock
10	Backlight	CCFL	-
11	Controller	Excluded	-
12	DC/DC Converter	Excluded	-
13	Touch Panel	Excluded	-
14	Weight	195 g(approx.)	g

Note :



RoHS Compliance.

Nan Ya guarantees that this project doesn't include any materials (6 materials) or includes less than specified quantities which are regulated by RoHS Compliance.

2. ABSOLUTE MAXIMUM RATINGS

(1) ELECTRICAL ABSOLUTE RATINGS

VSS=0V

	SYMBOL	MIN.	MAX.	UNIT	COMMENT
Power Supply for Logic	VDD-VSS	-0.3	6.5	V	
Power Supply for LCD Drive	VEE-VSS	0	30	V	
Input Voltage	VI	-0.3	VDD+0.3	V	
Static Electricity	-	-	-	-	Note 1

(2) ENVIRONMENTAL ABSOLUTE MAXIMUM RATINGS

ITEM	NORMAL TEMP.			
	OPERATING		STORAGE	
	MIN.	MAX.	MIN.	MAX.
Ambient Temperature	-20	70	-40	80
Humidity (Without Condensation)	Note 2,4,5		Note 3,4	
Vibration	Note 6			

Note 1 LCM should be grounded during handling LCM.

Note 2 $T_a \leq 70^\circ\text{C}$: 75%RH max

Note 3 Please refer to item of reliability test

Note 4 Background color will change slightly depending on ambient temperature.

That phenomenon is reversible.

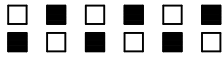
Note 5 Excluded CCFL Backlight.

Note 6

Frequency	5 Hz~13.95 Hz	13.95 Hz~33 Hz	33 Hz~51 Hz	51 Hz~500 Hz
Vibration Level	-	2X9.8 m/s ²	-	5x9.8 m/s ²
Vibration Width	0.2 inch	-	0.036 inch	-
Vibration Direction	X/Y/Z			
Vibration Time	20 min/cycle X 3 directions			

3. ELECTRICAL CHARACTERISTICS

3-1. ELECTRICAL CHARACTERISTICS OF LCM

ITEM	SYMBOL	CONDITION		MIN.	TYP.	MAX.	UNIT
Power Supply for Logic	VDD-VSS	-		4.5	5.0	5.5	V
Power Supply for Logic	VDD-VSS	-		3.0	3.3	3.6	V
Input Voltage	VIH	H level		0.8VDD	-	VDD	V
	VIL	L level		0	-	0.2VDD	
Recommended LC Driving Voltage	VEE-VSS (Vop)	Duty= 1/240	-20°C	26.7	27.2	27.7	V
			0°C	25.6	26.1	26.6	
			25°C	25.1	25.6	26.1	
			50°C	24.8	25.3	25.8	
			70°C	24.0	24.5	25.0	
Power Supply Current	IDD	VDD-VSS=5.0V VEE-VSS=25.6V Ta=25°C Pattern:		-	2.5	5	mA
	IEE			-	10	15	
Surface Luminance of LCM	L	IL=5 mArms Ta=25°C Pattern: Dots All ON(White)		150	180	-	cd/m ²
		IL=5 mArms Ta=25°C Pattern: Dots All OFF(Black)		-	8	-	
Recommended Frame Frequency for Optimum Contrast	FLM	-		115	120	125	Hz

3-2.ELECTRICAL CHARACTERISTICS OF BACKLIGHT

Used Lamp Rating

Temp.=25°C

ITEM	SYMBOL	MIN.	TYP.	MAX.	UNIT	REMARK
Lamp Voltage	V_L	-	450	-	Vrms	-
Lamp current	I_L	-	5	-	mArms	-
Lamp power consumption	P_L	-	2.25	-	W	(*1)
Starting voltage	V_S	-	-	600	Vrms	$T_a=25^\circ\text{C}$
		-	-	780	Vrms	$T_a=0^\circ\text{C}$
Lamp life time	L_L	40000	-	-	hrs	at $I_L = 5 \text{ mArms}$ $T_a=25^\circ\text{C}$ (*2)

(*1) Power consumption excluded inverter loss .

(*2) Lamp life time is defined as follows : The final brightness is at 50% of original brightness .

(*3) a. Please follow the table of Lamp Characteristics shown above if not to use the inverter recommended by Nan Ya .

b. If customers want to design inverter by themselves , please inform Nan Ya to offer the detail lamp specification .

3-3.ELECTRICAL CHARACTERISTICS OF RECOMMENDED INVERTER TDK CXA-M10L-L

3-3-1 GENERAL SPECIFICATIONS

OPERATION TEMPERATURE : -10°C~60°C

STORAGE TEMPERATURE : -20°C~85°C

DIMENSION : 56.0(L)mm x 29.0(W)mm x MAX 19.5(H)mm

3-3-2 PIN ASSIGNMENTS

INPUT (CN1) CONNECTOR :

OUTPUT (CN2) CONNECTOR :

NO.	FUNCTION
1	VIN
2	GND

NO.	FUNCTION
3	OUT1
4	OUT2
5	OUT GND

3-3-3 RELATIONSHIP BETWEEN VIN & TUBE CURRENT

ITEM	SYMBOL	MIN.	TYP.	MAX.	UNIT	REMARK
Input Voltage	VIN	-	12.0	-	V	
No Load Output Voltage	Vs	1000	1200	-	Vrms	
Tube Current	IL	-	5	-	mA	
Working Frequency	F	26	31	36	KHz	

4. OPTICAL CHARACTERISTICS

4-1. Optical Char. of Wide Temp. Mode

AT V_{OP}

ITEM MODE		Cr(Contrast Ratio)										θ (Viewing Angle)		θ (Viewing Angle)	
		-20°C		0°C		25°C		50°C		70°C		25°C		25°C	
		MIN.	TYP.	MIN.	TYP.	MIN.	TYP.	MIN.	TYP.	MIN.	TYP.	MIN.	TYP.	MIN.	TYP.
T	M	12	18	14	20	17	25	3.5	5	1.4	2	-	F: 55 R: 30	-	L: 45 R: 45
NOTE		NOTE 3,6										NOTE 3,5			

NOTE :

T : Transmission

M : Color STN Module, 6 O'clock

AT $\phi=0^\circ \theta=0^\circ$

ITEM	SYMBOL	CONDITION	MIN.	TYP.	MAX.	UNIT	NOTE
Response Time (rise)	Tr	-20℃	2300	2900	4300	ms	NOTE 2,3
		0℃	640	800	1200		
		25℃	240	300	450		
		50℃	80	100	150		
		70℃	45	55	80		
Response Time (fall)	Tf	-20℃	1500	1800	2700	ms	NOTE 2,3
		0℃	360	450	670		
		25℃	80	100	150		
		50℃	48	60	90		
		70℃	32	40	60		

4-2. Color of CIE Coordinate

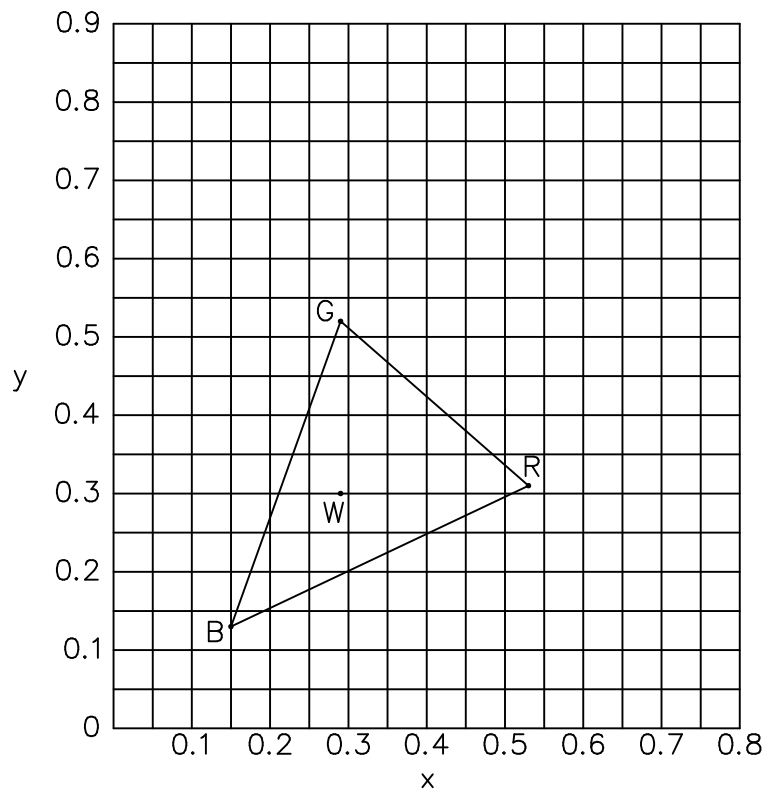
Ta = 25°C

ITEM		SYMBOL	CONDITION	VALUE	NOTE
Color of CIE Coordinate	Red	X	$\phi=0^\circ, \theta=0^\circ$	0.53	Note*
		y		0.31	
	Green	X	$\phi=0^\circ, \theta=0^\circ$	0.29	
		y		0.52	
	Blue	X	$\phi=0^\circ, \theta=0^\circ$	0.15	
		y		0.13	
	White	X	$\phi=0^\circ, \theta=0^\circ$	0.29	
		y		0.30	

Note* Measuring at position 3 on Fig.1
CIE chromaticity diagram

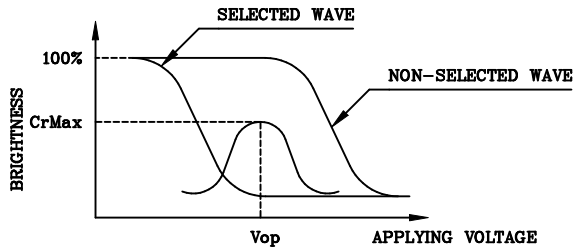
Tolerance : ± 0.05

Fig.1

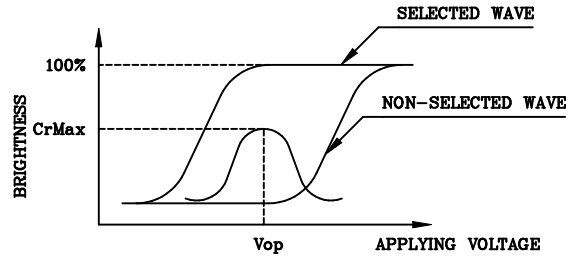


(NOTE 1)

Definition of Operation Voltage(Vop)



(positive type)



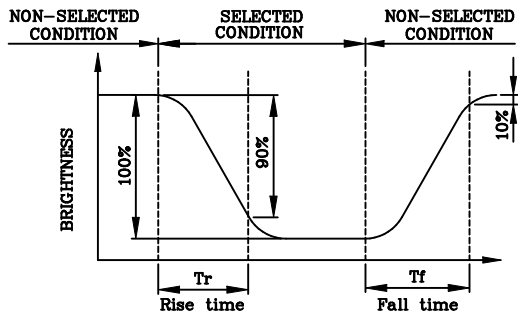
(negative type)

*Conditions

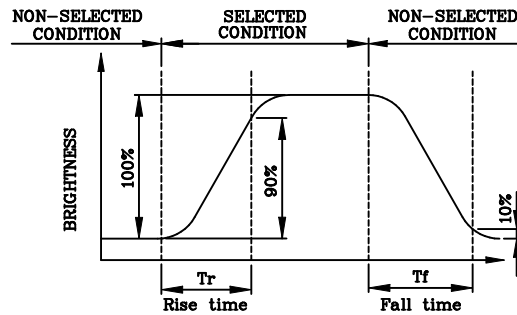
Viewing Angle : 0
 Frame Frequency : 120Hz
 Applying Waveform : 1/N duty 1/a bias

(NOTE 2)

Definition of Response Time(Tr,Tf)



(positive type)



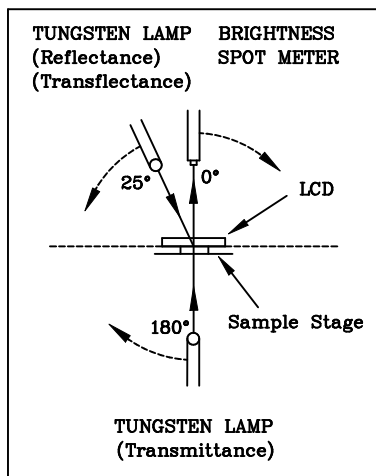
(negative type)

*Conditions

Operating Voltage : Vop
 Viewing Angle (θ,φ) : (0,0)
 Frame Frequency : 120Hz
 Applying Waveform : 1/N duty 1/a bias

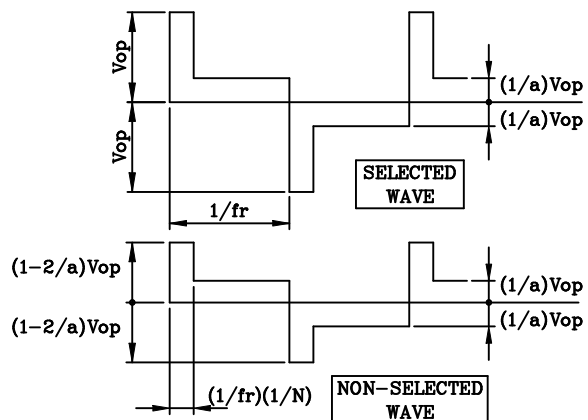
(NOTE 3)

Description of Measuring Equipment and Driving Waveforms



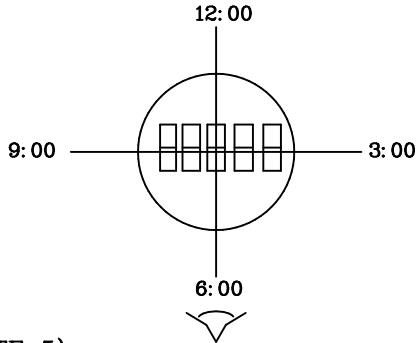
CONST.
 TEMP.
 CHAMBER

Multiplex Driving (1/N duty 1/a bias)



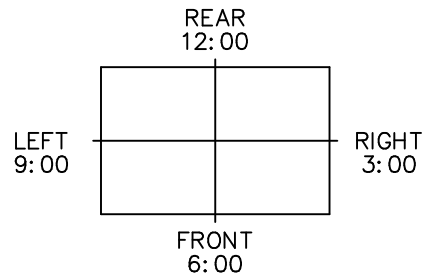
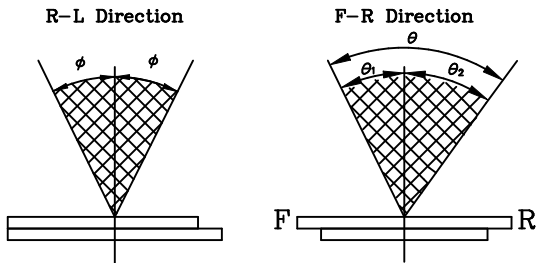
(NOTE 4)

Definition of Viewing Direction



(NOTE 5)

Definition of Viewing Angle



*For This Product
 The Viewing Direction Is 6 O'clock
 So $\theta_1 > \theta_2$

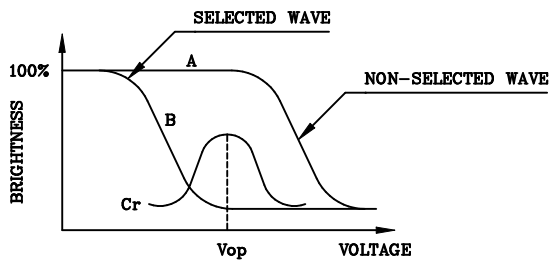
$$\theta = \theta_1 + \theta_2$$

*Conditions

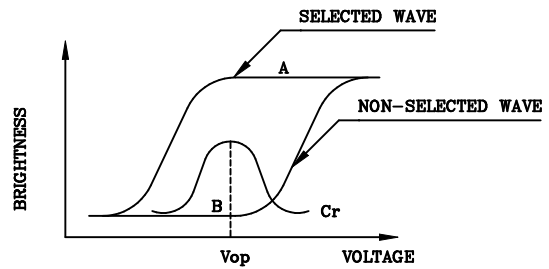
Operating Voltage : V_{op}
 Frame Frequency : 120Hz
 Applying Waveform : 1/N duty 1/a bias
 Contrast Ratio : larger than 2

(NOTE 6)

Definition of Contrast Ratio (Cr)



(positive type)



(negative type)

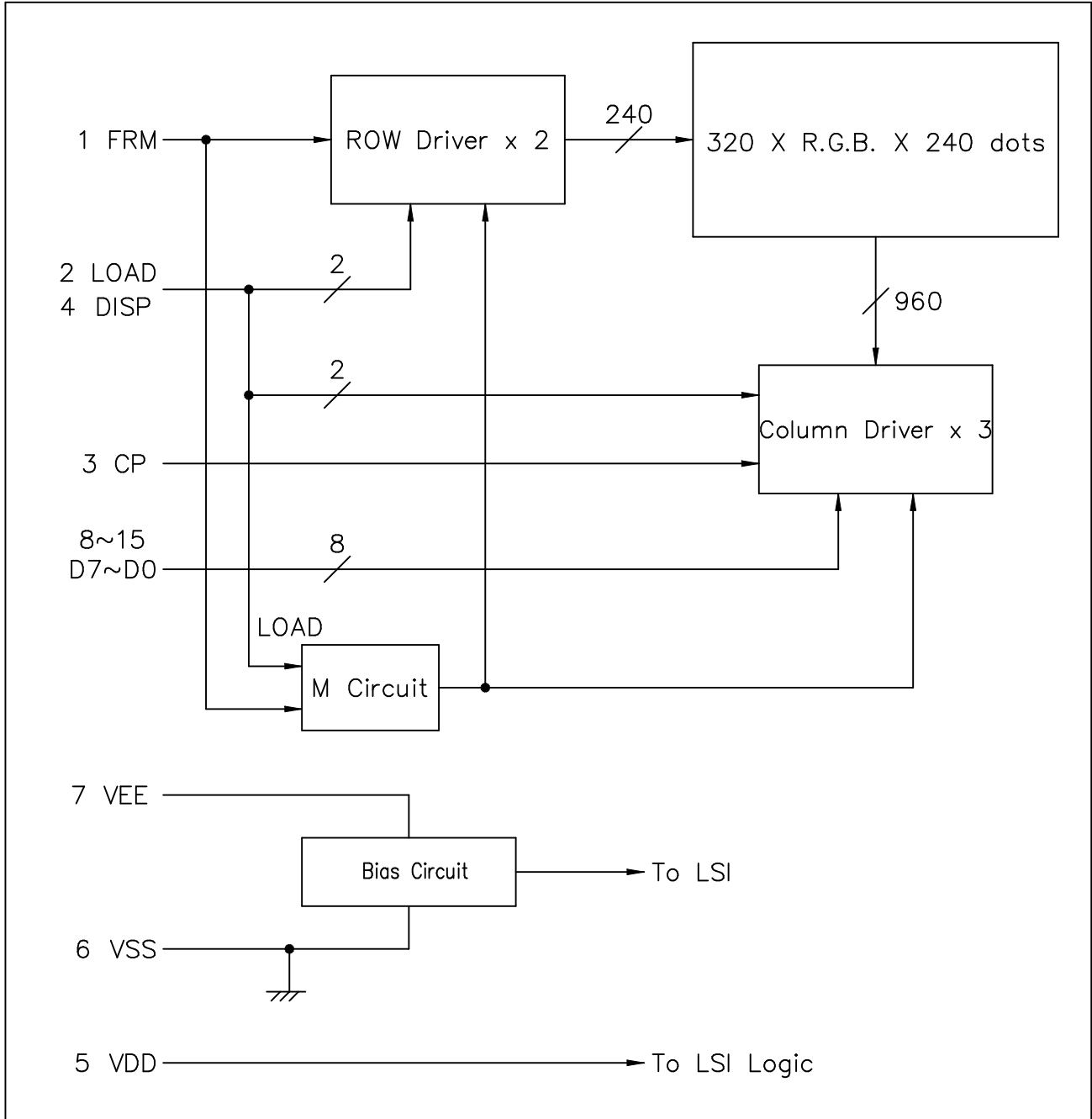
$$\text{Contrast Ratio : } Cr = A/B$$

*Conditions

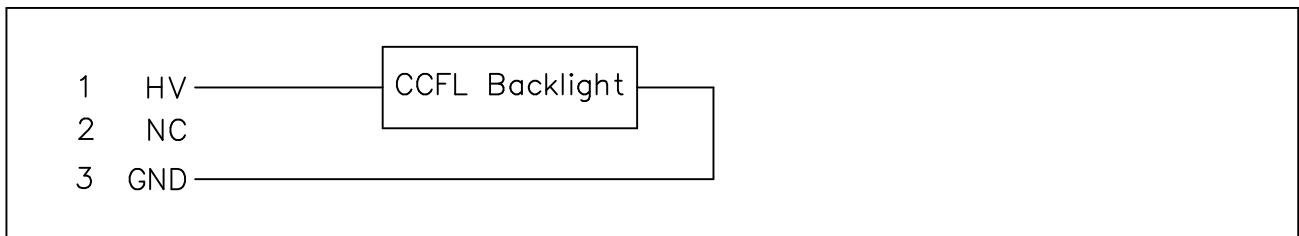
Viewing Angle : 0
 Frame Frequency : 120Hz
 Applying Waveform : 1/N duty 1/a bias

5. BLOCK DIAGRAM

LCD



CCFL



6. INTERNAL PIN CONNECTION

LCD

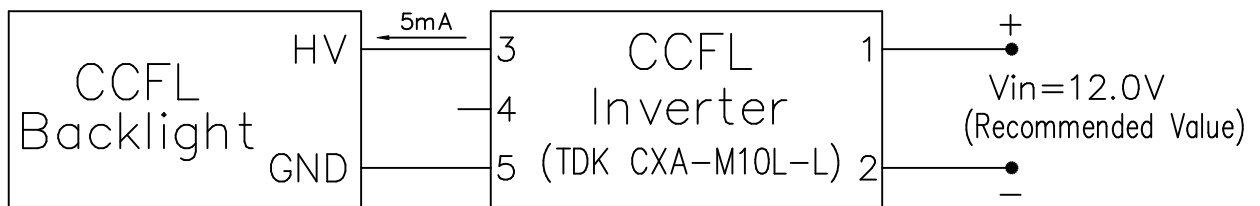
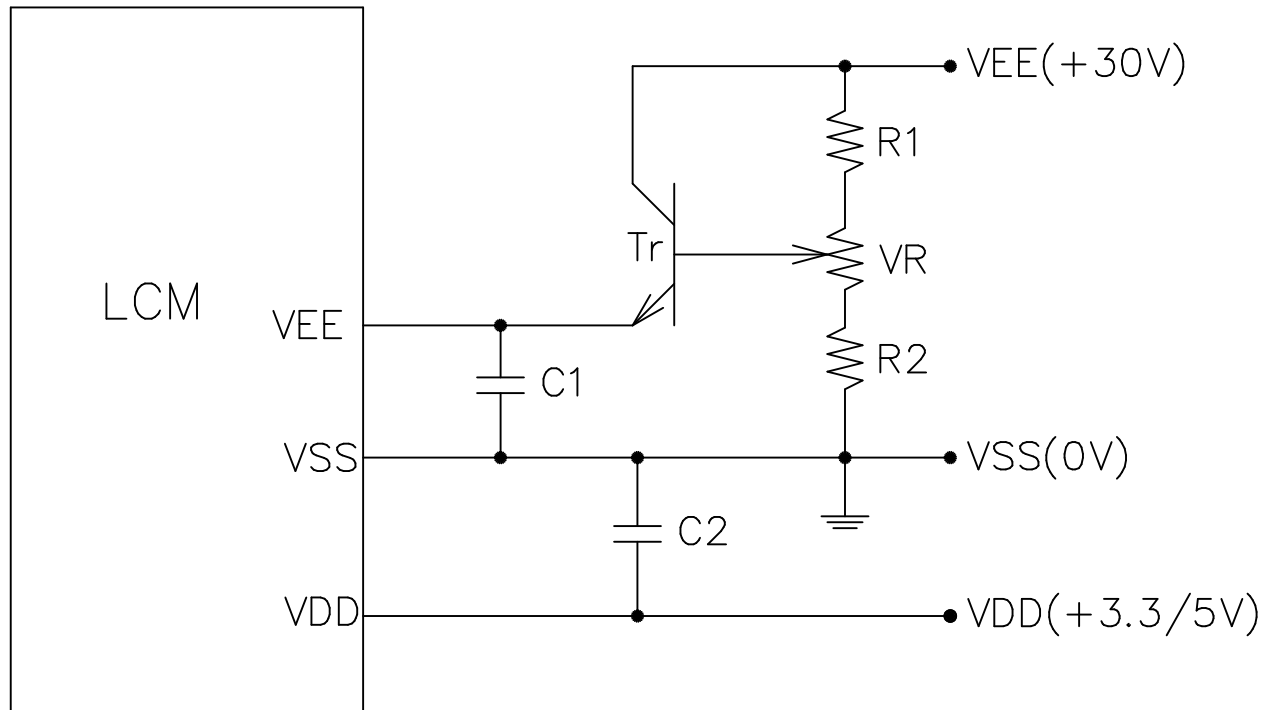
Pin No.	Symbol	Function	Level
1	FRM	Synchronous signal for driving scanning line	H
2	LOAD	Data signal latch clock	H → L
3	CP	Data signal shift clock	H → L
4	DISP	Display control signal	H(ON),L(OFF)
5	VDD	Power supply for logic	—
6	VSS	GND	—
7	VEE	Power supply for LCD	—
8	D7	Display data	H(ON),L(OFF)
9	D6		
10	D5		
11	D4		
12	D3		
13	D2		
14	D1		
15	D0		

CCFL

Pin No.	Symbol	Function	Level
1	HV	Power supply for CCFL	AC
2	NC	NO Connection	—
3	GND	Ground line (from inverter)	—

LCD CONNECTOR :
MOLEX 53261-1571
CORRESPONDABLE LCD CONNECTOR :
MOLEX 51021-1500 or COMPATIBLE
CCFL CONNECTOR :
BHR-03VS-1(JST)
CORRESPONDABLE CCFL CONNECTOR :
SM02-(8.0)B-BHS-1(JST) or Compatible

7. POWER SUPPLY



$$1. R1 + R2 + VR = 10 \sim 20K \Omega$$

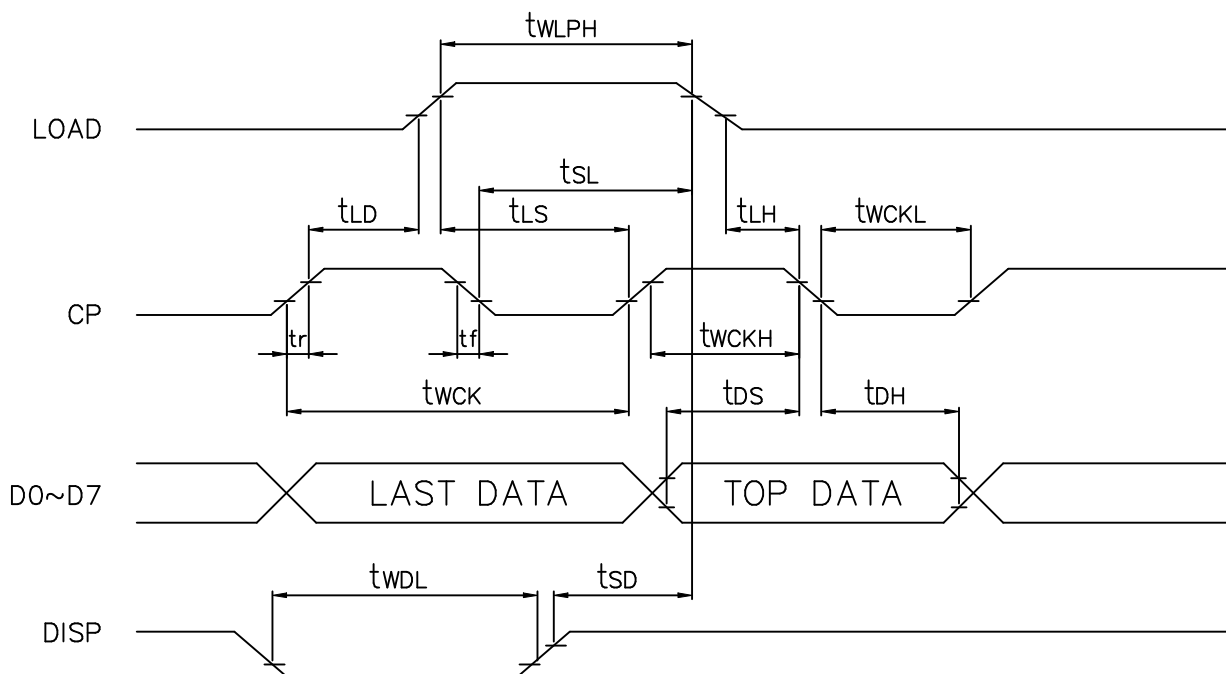
$$C1, C2 = 10 \mu F$$

8. TIMING CHARACTERISTICS

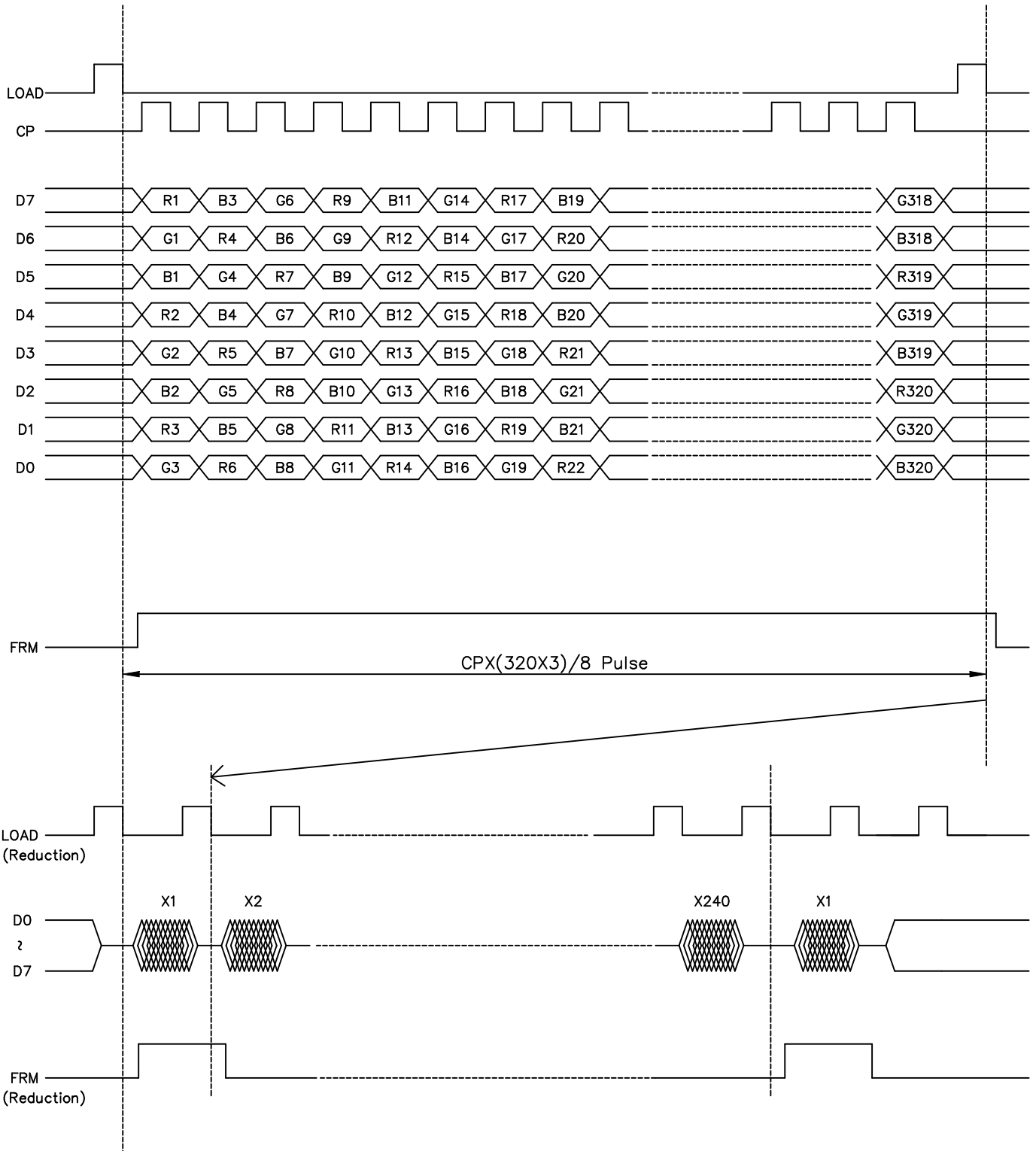
8-1. INTERFACE TIMING

VDD=3.3V ± 10%

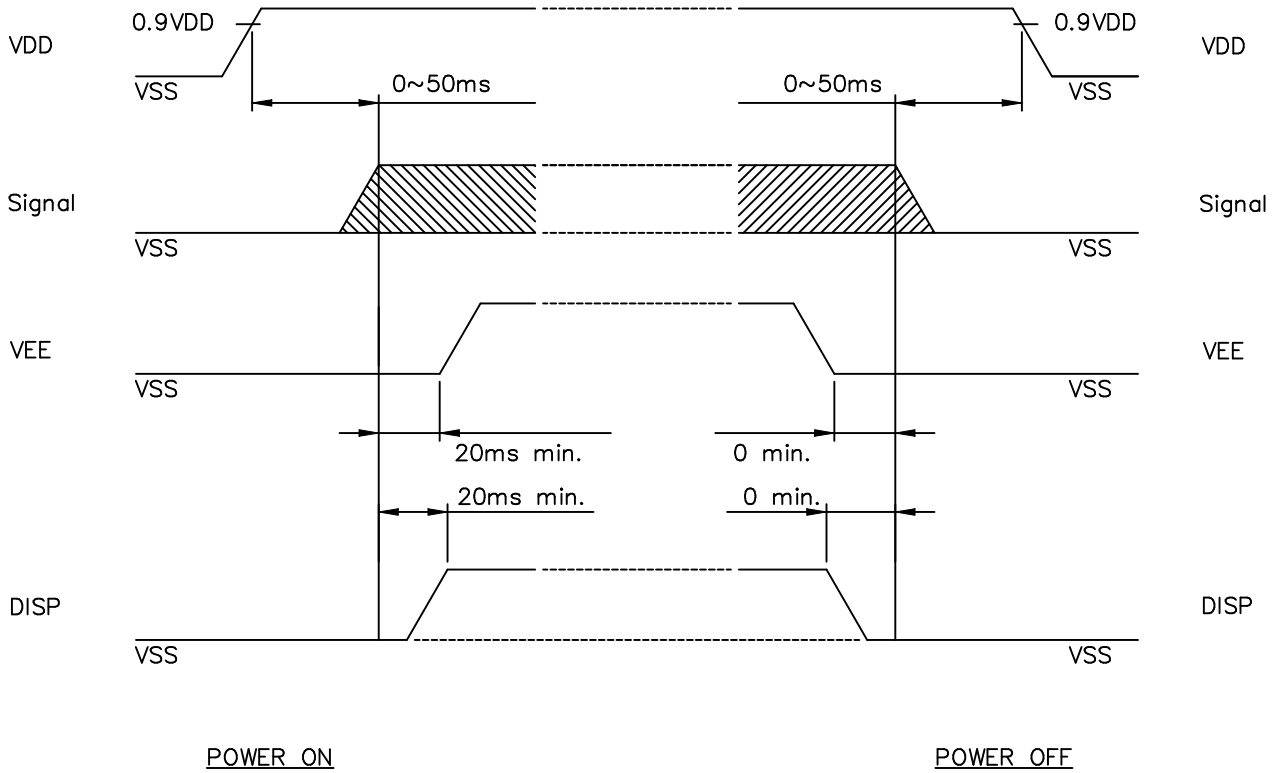
Parameter	SYMBOL	MIN.	MAX.	UNIT
CLOCK PULSE CYCLE TIME	t_{wck}	66	—	ns
CLOCK PULSE HIGH LEVEL WIDTH	t_{wckH}	23	—	ns
CLOCK PULSE LOW LEVEL WIDTH	t_{wckL}	23	—	ns
LATCH PULSE HIGH LEVEL WIDTH	t_{wLPH}	30	—	ns
CP→LOAD RISE TIME	t_{LD}	10	—	ns
CP→LOAD FALL TIME	t_{SL}	30	—	ns
LOAD→CP RISE TIME	t_{LS}	30	—	ns
LOAD→CP FALL TIME	t_{LH}	30	—	ns
CLOCK PULSE RISE/FALL TIME	t_r, t_f	—	30	ns
DATA SETUP TIME	t_{DS}	10	—	ns
DATA HOLD TIME	t_{DH}	25	—	ns
DISP LOW LEVEL WIDTH	t_{WDL}	1.2	—	μs
DISP CANCELLATION TIME	t_{SD}	100	—	ns



8-2.TIMING CHART



8-3. POWER ON/OFF TIMING



The missing pixels may occur when the LCM is driven beyond above power interface timing sequence.

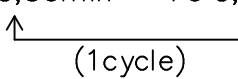
8-4.DISPLAY PATTERN

START DATA

	Y1			Y2			Y3				Y318			Y319			Y320		
X1	R1	G1	B1	R2	G2	B2	R3	G3	B3		R318	G318	B318	R319	G319	B319	R320	G320	B320
	D7	D6	D5	D4	D3	D2	D1	D0	D7		D0	D7	D6	U5	D4	D3	D2	D1	D0
X2	R1	G1	B1	R2	G2	B2	R3	G3	B3		R318	G318	B318	R319	G319	B319	R320	G320	B320
	D7	D6	D5	D4	D3	D2	D1	D0	D7		D0	D7	D6	U5	D4	D3	D2	D1	D0
X239	R1	G1	B1	R2	G2	B2	R3	G3	B3		R318	G318	B318	R319	G319	B319	R320	G320	B320
	D7	D6	D5	D4	D3	D2	D1	D0	D7		D0	D7	D6	U5	D4	D3	D2	D1	D0
X240	R1	G1	B1	R2	G2	B2	R3	G3	B3		R318	G318	B318	R319	G319	B319	R320	G320	B320
	D7	D6	D5	D4	D3	D2	D1	D0	D7		D0	D7	D6	U5	D4	D3	D2	D1	D0

9. RELIABILITY TEST

WIDE TEMPERATURE RELIABILITY TEST

NO	ITEM	CONDITION			STANDARD	NOTE
1	High Temp. Storage	80°C	120Hrs		Appearance without defect	
2	Low Temp. Storage	-40°C	120Hrs		Appearance without defect	
3	High Temp. & High Humi. Storage	60°C 90%RH	120Hrs		Appearance without defect	
4	High Temp. Operating Display	70°C	120Hrs		Appearance without defect	
5	Low Temp. Operating Display	-20°C	120Hrs		Appearance without defect	
6	Thermal Shock	-20°C, 30min → 70°C, 30min  (1cycle)			Appearance without defect	10 cycles

Inspection Provision

1. Purpose

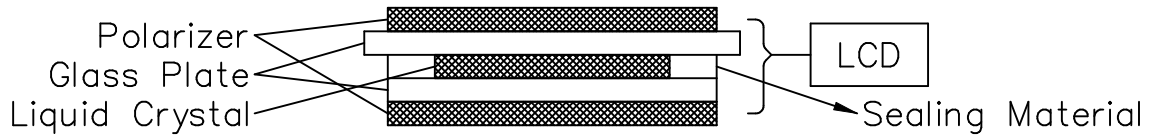
The NAN YA inspection provision provides outgoing inspection provision and its expected quality level based on our outgoing inspection of NAN YA LCD produces.

2. Applicable Scope

The NAN YA inspection provision is applicable to the arrangement in regard to outgoing inspection and quality assurance after outgoing.

3. Technical Terms

3-1 NAN YA Technical Terms



4. Outgoing Inspection

4-1 Inspection Method

MIL-STD-105E Level II Regular inspection

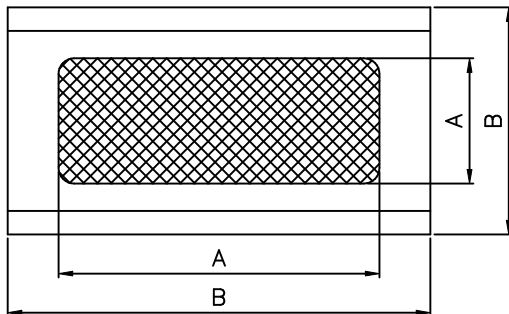
4-2 Inspection Standard

	Item		AQL(%)	Remarks
Major Defect	Dots	Opens Shorts Erroneous operation	0.4	faults which substantially lower the practicality and the initial purpose difficult to achieve.
	Solder appearance	Shorts Loose		
	Cracks	Display surface cracks		

	Dimensions	External from Dimensions	0.4	
Minor Defect	Inside the glass	Black spots	0.65	faults which appear to pose almost no obstacle to the practicality, effective use, and operation.
	Polarizing plate	Scratches, foreign Matter, air bubbles, and peeling		
	Dots	Pinhole, deformation		
	Color tone	Color unevenness		
	Solder appearance	Cold solder Solder projections		

4-3 Inspection Provisions
*Viewing Area Definition

Fig. 1



A : Zone Viewing Area
B : Zone Glass Plate Outline

*Inspection place to be 500 to 1000 lux illuminance uniformly without glaring.
The distance between luminous source(daylight fluorescent lamp and cool white fluorescent lamp) and sample to be 30cm to 50cm.

*Test and measurement are performed under the following conditions, unless otherwise specified.

Temperature 20± 15°C
Humidity 65± 20%R.H.
Pressure 860~1060hPa(mmbar)

In case of doubtful judgment, it is performed under the following conditions.

Temperature 20± 2°C
Humidity 65± 5%R.H.
Pressure 860~1060hPa(mmbar)

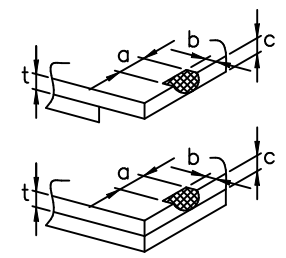
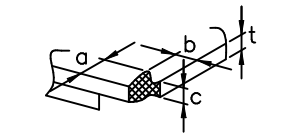
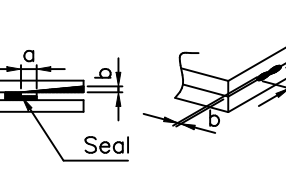
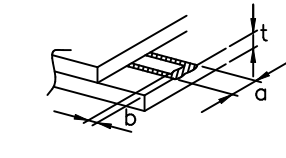
5.Specification for quality check
5-1 Electrical characteristics

NO.	Item	Criterion
1	Non operational	Fail
2	Miss operating	Fail
3	Missing dot	Fail
4	Contrast irregular	Fail
5	Response time	Within Specified value
6	Backlight turn on/off	Within Specified value

5-2 External Appearance Defect

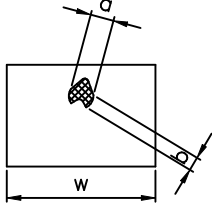
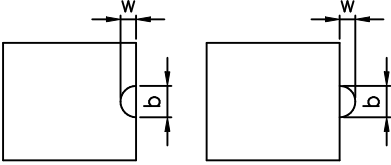
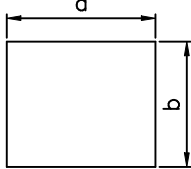
NO.	Item	Criterion																							
1	Black spots, foreign matter, and white spots (Including light leakage due to pinholes of polarizing plates, etc.)	<p>(1)-1-Spots</p> <table border="1" data-bbox="703 488 1401 817"> <thead> <tr> <th>Average Diameter(mm):D</th> <th>Number of pieces permitted</th> <th>Minimum Space</th> </tr> </thead> <tbody> <tr> <td>$D \leq 0.2$</td> <td>Ignore</td> <td>-</td> </tr> <tr> <td>$0.2 < D \leq 0.3$</td> <td>5</td> <td>10mm</td> </tr> <tr> <td>$0.3 < D \leq 0.4$</td> <td>2</td> <td>30mm</td> </tr> <tr> <td>$0.4 < D$</td> <td>0</td> <td></td> </tr> </tbody> </table> <p>Number of total pieces is set to within 5 pieces.</p> <p>Note that when there are 2 pieces or more, they are not to be concentrated. Set as: Average diameter = (Long diameter + Short diameter)/2</p> <p>(1)-2-Blurred Spots(At lighting condition)</p> <table border="1" data-bbox="703 1234 1337 1464"> <thead> <tr> <th>Average Diameter(mm):D</th> <th>Number of pieces permitted</th> </tr> </thead> <tbody> <tr> <td>$D \leq 0.3$</td> <td>Ignore</td> </tr> <tr> <td>$0.3 < D \leq 0.75$</td> <td>5</td> </tr> <tr> <td>$0.75 < D$</td> <td>0</td> </tr> </tbody> </table> <p>Number of total pieces is set to within 5 pieces.</p> <p>Note that when there are 2 pieces or more, they are not to be concentrated. Set as: Average diameter = (Long diameter + Short diameter)/2</p>	Average Diameter(mm):D	Number of pieces permitted	Minimum Space	$D \leq 0.2$	Ignore	-	$0.2 < D \leq 0.3$	5	10mm	$0.3 < D \leq 0.4$	2	30mm	$0.4 < D$	0		Average Diameter(mm):D	Number of pieces permitted	$D \leq 0.3$	Ignore	$0.3 < D \leq 0.75$	5	$0.75 < D$	0
Average Diameter(mm):D	Number of pieces permitted	Minimum Space																							
$D \leq 0.2$	Ignore	-																							
$0.2 < D \leq 0.3$	5	10mm																							
$0.3 < D \leq 0.4$	2	30mm																							
$0.4 < D$	0																								
Average Diameter(mm):D	Number of pieces permitted																								
$D \leq 0.3$	Ignore																								
$0.3 < D \leq 0.75$	5																								
$0.75 < D$	0																								

1	Line	<p>(1)-1-Lines</p> <table border="1" data-bbox="702 443 1428 721"> <thead> <tr> <th>Width(mm): W</th> <th>Length(mm): L</th> <th>Number of pieces permitted</th> </tr> </thead> <tbody> <tr> <td>$W \leq 0.03$</td> <td>Ignore</td> <td>Ignore</td> </tr> <tr> <td>$0.03 < W \leq 0.08$</td> <td>$L \leq 4$</td> <td>2</td> </tr> <tr> <td>$0.08 < W \leq 0.1$</td> <td>$L \leq 1$</td> <td>1</td> </tr> </tbody> </table> <p>Object exceeding 0.1mm follow the standards of the spots form. Note that when there are 2 pieces or more, they are not to be concentrated.</p> <p>(1)-2-Blurred Lines(At lighting condition)</p> <table border="1" data-bbox="702 1019 1428 1296"> <thead> <tr> <th>Width(mm): W</th> <th>Length(mm): L</th> <th>Number of pieces permitted</th> </tr> </thead> <tbody> <tr> <td>$W \leq 0.03$</td> <td>Ignore</td> <td>Ignore</td> </tr> <tr> <td>$0.03 < W \leq 0.08$</td> <td>$L \leq 3$</td> <td>6</td> </tr> <tr> <td>$0.08 < W$</td> <td>$3 < L$</td> <td>None</td> </tr> </tbody> </table> <p>Object exceeding 0.1mm follow the standards of the spots form. Note that when there are 2 pieces or more, they are not to be concentrated.</p>	Width(mm): W	Length(mm): L	Number of pieces permitted	$W \leq 0.03$	Ignore	Ignore	$0.03 < W \leq 0.08$	$L \leq 4$	2	$0.08 < W \leq 0.1$	$L \leq 1$	1	Width(mm): W	Length(mm): L	Number of pieces permitted	$W \leq 0.03$	Ignore	Ignore	$0.03 < W \leq 0.08$	$L \leq 3$	6	$0.08 < W$	$3 < L$	None
Width(mm): W	Length(mm): L	Number of pieces permitted																								
$W \leq 0.03$	Ignore	Ignore																								
$0.03 < W \leq 0.08$	$L \leq 4$	2																								
$0.08 < W \leq 0.1$	$L \leq 1$	1																								
Width(mm): W	Length(mm): L	Number of pieces permitted																								
$W \leq 0.03$	Ignore	Ignore																								
$0.03 < W \leq 0.08$	$L \leq 3$	6																								
$0.08 < W$	$3 < L$	None																								
2	Scratches(Glass, reflection plates, and polarizing plates)	In accordance with black spots. (At non lighting condition)																								
3	Color irregular	Not remarkable color irregular.																								

4	Air bubbles polarizing plates, and reflection plates	<table border="1" data-bbox="702 392 1209 683"> <tr> <td data-bbox="702 392 957 537">Average Diameter (mm): D</td> <td data-bbox="957 392 1209 537">Number of pieces permitted</td> <td data-bbox="1209 392 1449 683" rowspan="2">Average diameter = (Long diameter + Short diameter)/2</td> </tr> <tr> <td data-bbox="702 537 957 683">D ≤ 0.3 0.3 < D</td> <td data-bbox="957 537 1209 683">Ignore 0</td> </tr> </table> <p data-bbox="702 694 1449 772">Note that when there are 4 pieces or more, they are not to be concentrated.</p>		Average Diameter (mm): D	Number of pieces permitted	Average diameter = (Long diameter + Short diameter)/2	D ≤ 0.3 0.3 < D	Ignore 0
Average Diameter (mm): D	Number of pieces permitted	Average diameter = (Long diameter + Short diameter)/2						
D ≤ 0.3 0.3 < D	Ignore 0							
5	Cracks	<p data-bbox="654 784 1050 840">(1) General crack</p> 	<p data-bbox="1050 784 1449 840">$a \leq 5$</p> <p data-bbox="1050 840 1449 884">$b \leq 2$</p> <p data-bbox="1050 884 1449 929">$c \leq t$</p> <p data-bbox="1050 929 1449 1164">Where, a and b are ignored when less than or equal to 0.5 The numbers of pieces are set at up to 5 pieces.</p>					
		<p data-bbox="654 1164 1050 1220">(2) Corner crack</p> 	<p data-bbox="1050 1164 1449 1220">$a \leq 2.5$</p> <p data-bbox="1050 1220 1449 1265">$b \leq 2.5$</p> <p data-bbox="1050 1265 1449 1310">$c \leq t$</p> <p data-bbox="1050 1310 1449 1355">$a + b \leq 4$</p>					
		<p data-bbox="654 1355 1050 1411">(3) Seal portion crack</p> 	<p data-bbox="1050 1355 1449 1400">$a \leq$ The seal width $\times 1/3$</p> <p data-bbox="1050 1400 1449 1444">$b \leq t \times 2/3$</p> <p data-bbox="1050 1444 1449 1489">$c \leq 5$</p> <p data-bbox="1050 1489 1449 1624">The numbers of pieces are set at up to 5 pieces.</p>					
		<p data-bbox="654 1624 1050 1680">(4) ITO Pin crack</p> 	<p data-bbox="1050 1624 1449 1668">$a \leq 5$</p> <p data-bbox="1050 1668 1449 1713">$b \leq 1/3$ pin length</p> <p data-bbox="1050 1713 1449 1758">$c \leq t$</p>					
		<p data-bbox="654 1859 1050 1915">(5) Progressive cracks</p>	<p data-bbox="1050 1859 1449 1948">All taken to be unacceptable.</p>					

6	Outer dimensions	Should be within the tolerance.
7	Newton ring(touch panel)	Orbicular of interference fringes is not allowed in the optimum contrast within the active area under viewing angle.
8	Soldering	Should be no defective soldering such as shorting, loose terminal cold solder, peeling of printed circuit board pattern, improper mounting position, etc.

5-3 Dot Appearance Defect

NO.	Item	Criteria
1	Pinhole	 <p>Dot display a and b are each $\leq 0.2\text{mm}$ The overall total is taken be with in 10 units. Note that they are not to be concentrated.</p>
2	Missing	 <p>Dot display a and b are each $\leq 0.2\text{mm}$ The overall total is taken to be with in 10 units.</p>
3	Thick and thin display	 <p>Taken to be within $\pm 1.5\%$ of display character width(a) and height(b).</p>

NOTICE:

- SAFETY

- 1.If the LCD panel breaks, be careful not to get the liquid crystal to touch your skin.
- 2.If the liquid crystal touches your skin or clothes, please wash it off immediately by using soap and water.

- HANDLING

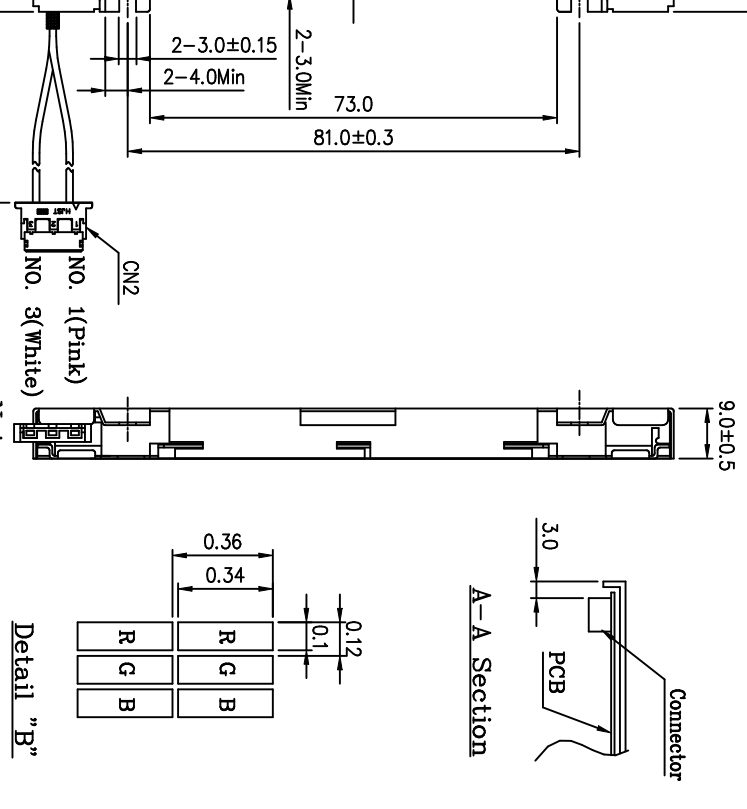
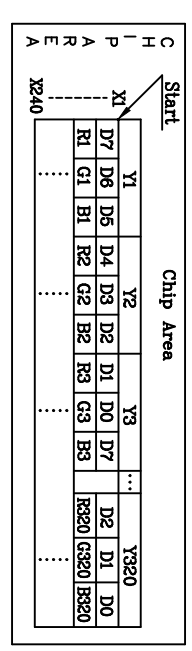
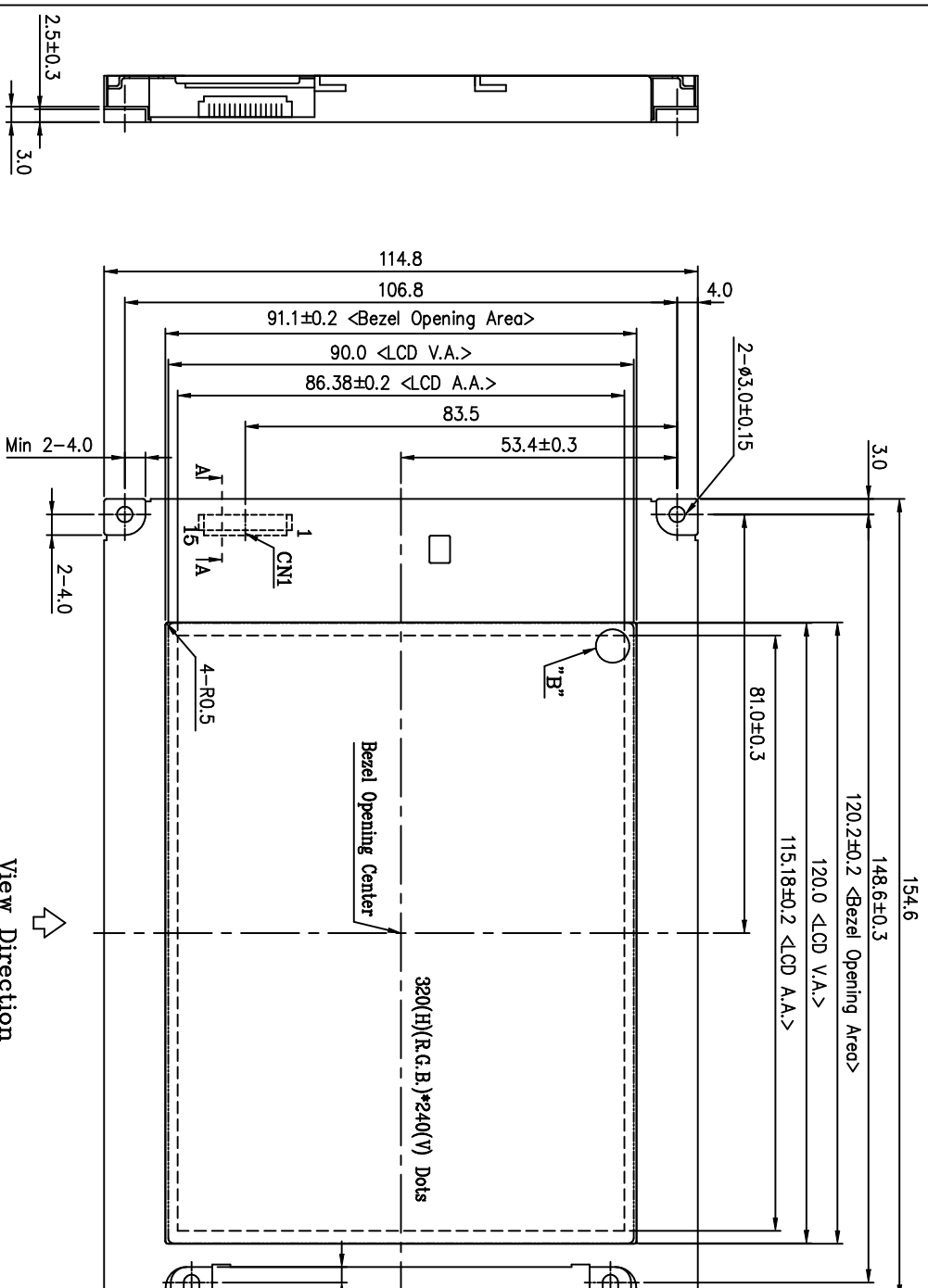
- 1.Avoid static electricity which can damage the CMOS LSI.
- 2.Do not remove the panel or frame from the module.
- 3.The polarizing plate of the display is very fragile. So, please handle it very carefully.
- 4.Do not wipe the polarizing plate with a dry cloth, as it may easily scratch the surface of plate.
- 5.Do not use ketonics solvent & Aromatic solvent. Use a soft cloth soaked with a cleaning naphtha solvent.

- STORAGE

- 1.Store the panel or module in a dark place where the temperature is $25^{\circ}\text{C}\pm 5^{\circ}\text{C}$ and the humidity is below 65% RH.
- 2.Do not place the module near organics solvents or corrosive gases.
- 3.Do not crush, shake, or jolt the module.

- TERMS OF WARRANT

- 1.Acceptance inspection period
The period is within one month after the arrival of contracted commodity at the buyer's factory site.
- 2.Applicable warrant period
The period is within twelve months since the date of shipping out under normal using and storage conditions.



Notes :
 1. Resolution : 320(H)(R.G.B) x 240(V) Dots
 2. Backlight : CCFT
 3. Frame Material : SECC (t=0.5)

GENERAL TOLERANCE LIST

DIMENSION	TOLERANCE
L ≤ 6	±0.25 (mm)
6 < L ≤ 18	±0.3 (mm)
18 < L ≤ 50	±0.4 (mm)
50 < L ≤ 125	±0.5 (mm)
125 < L	±0.6 (mm)
ANGLE	±1° (DEG)

CN1 : 53261-1571(Molex)

Pin No.	Symbol	Function	Level
1	FRM	Synchronous signal for driving scanning line	H
2	LOAD	Data signal latch clock	H → L
3	CP	Data signal shift clock	H → L
4	DISP	Display control signal	H(ON),L(OFF)
5	VDD	Power supply for logic	-
6	VSS	GND	-
7	VEE	Power supply for LCD	-
8	D7	Display data	H(ON),L(OFF)
9	D6		

Pin No.	Symbol	Function	Level
10	D5	Display data	H(ON),L(OFF)
11	D4		
12	D3		
13	D2		
14	D1		
15	D0		

CN2 : BHR-03VS-1 (JST)

Pin No.	Symbol	Function	Level
1	HV	Power supply for CCFL	-
2	NC	NO Connection	-
3	GND	Ground line (from inverter)	-

REV. NO.	DESCRIPTION	DATE	DESIGN	CHECK	APPROVE

DWG NO.	NAME	DATE	THIRD ANGLE P.
M J 6 1 - D23 A			

南亚塑膠工業股份有限公司
 NAN YA PLASTICS CORPORATION
 製 品 圖

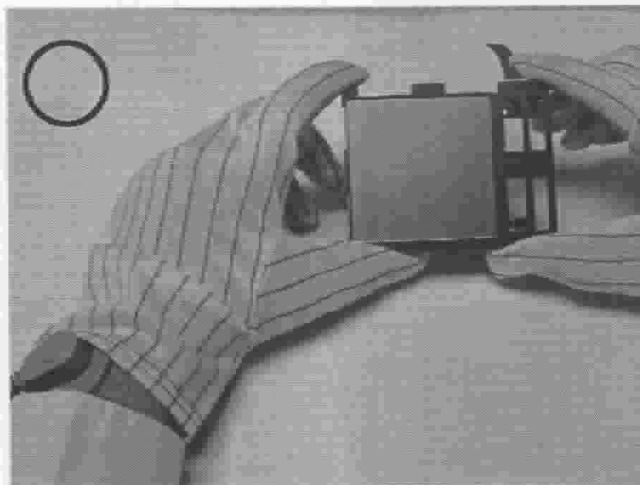
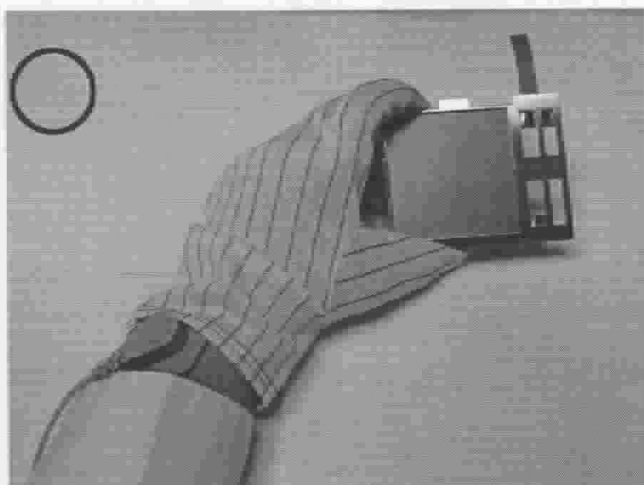
APPROVE: _____
 CHECK: _____
 DESIGN: Campos Chen 96.03.08 SCALE: 1/1
 DRAWN: Campos Chen 96.03.08 UNIT: mm

THE NOTES OF LCM USING

LCM is easy to damage.

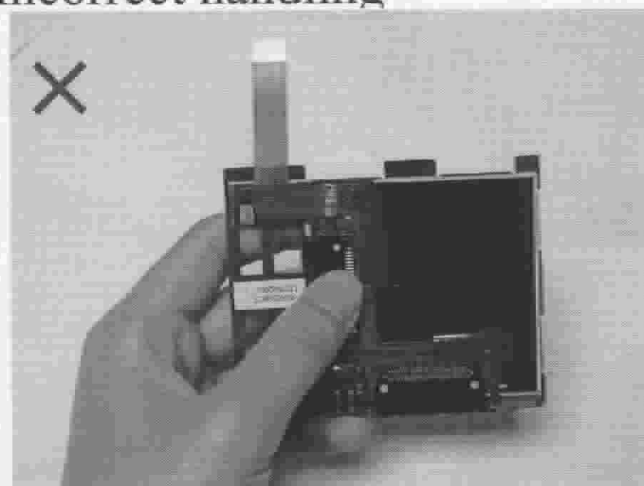
Please follow the notes as bellows, and be careful of handling!

Correct handling

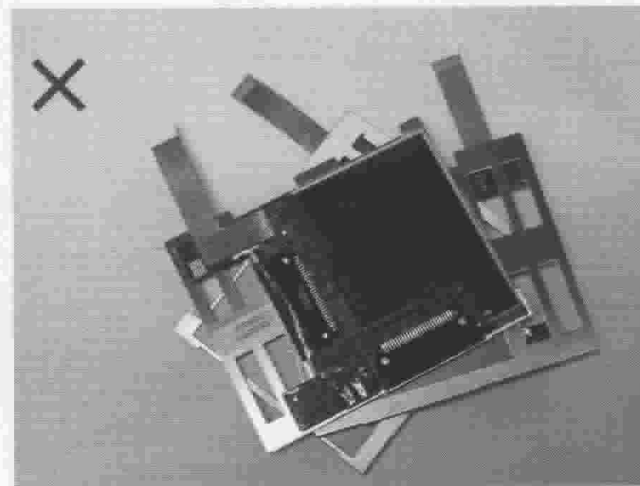


As above picture, please handle with glove by LCM edges and full EOS/ESD protection.

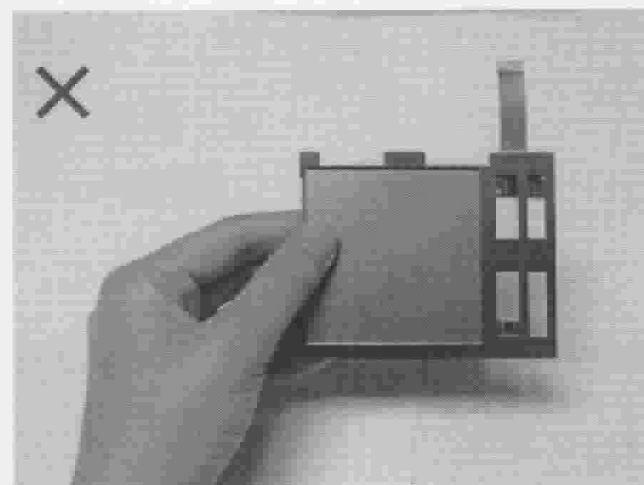
Incorrect handling



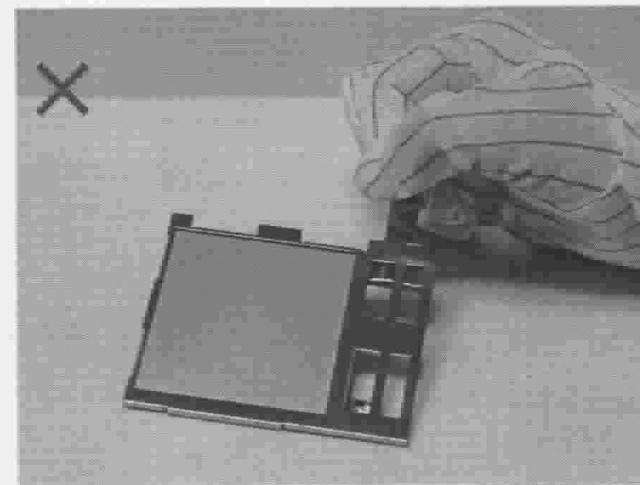
Please don't touch IC directly.



Please don't put one on another LCM.



Please don't hold the surface of LCM.



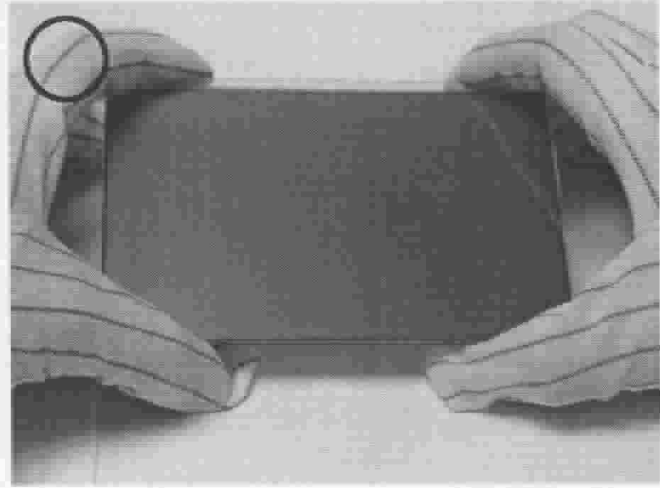
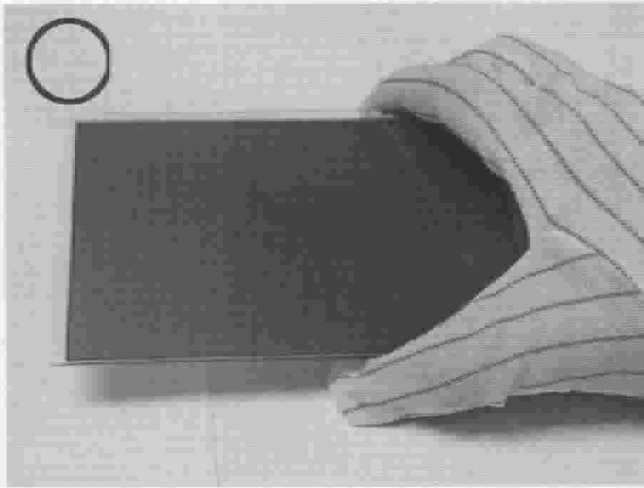
Please don't stretch interface of output.

THE NOTES OF LCD USING

LCD is easy damage.

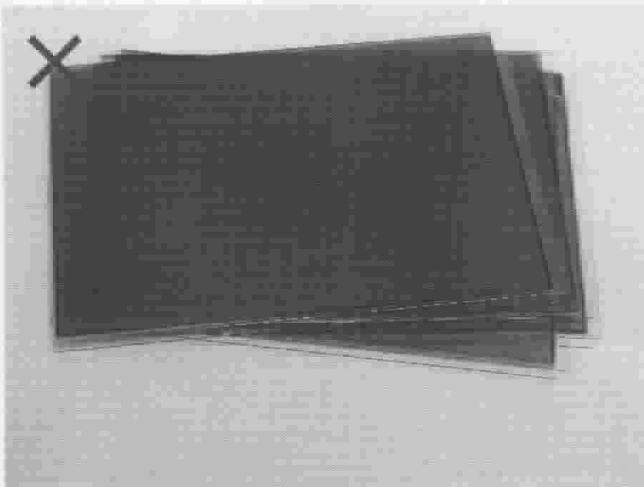
Please follow notes as bellows, and be careful of handling!

Correct handling

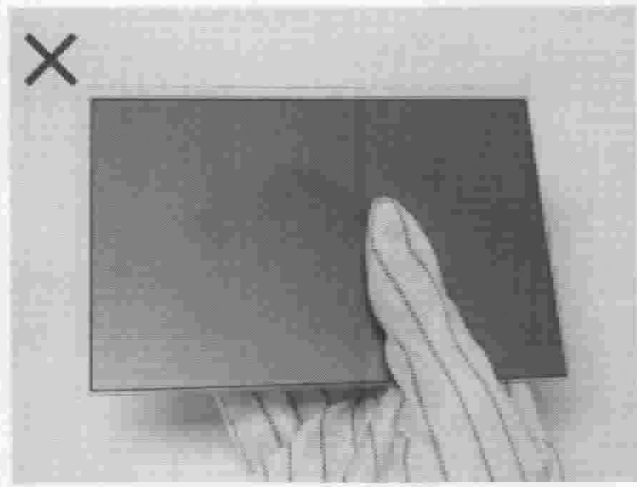


As above picture, please handle with glove by LCD edges and full EOS/ESD protection.

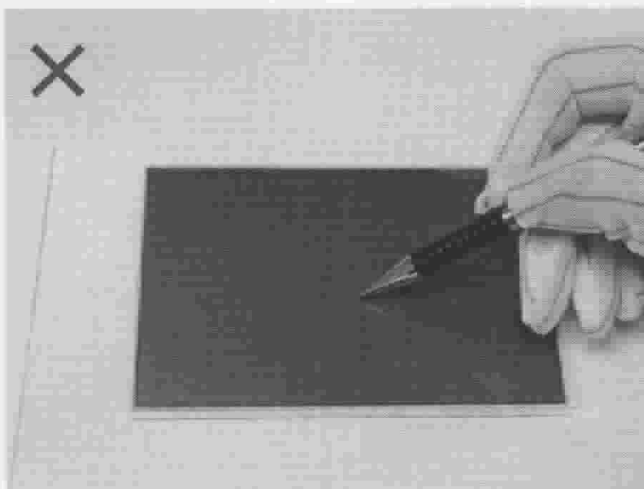
Incorrect handling



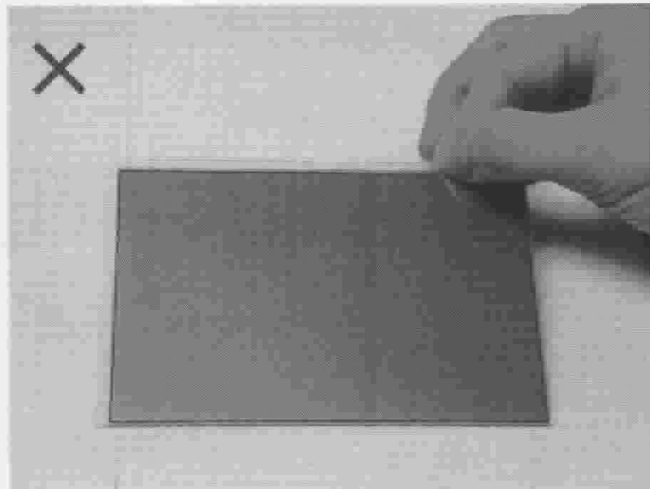
Please don't put one on another LCD.



Please don't hold the surface of LCD.



Please don't operate with sharp stick such as sharp pencil.



Please don't touch ITO glass without anti-static gloves.

