

LM133/LM333

3-Ampere Adjustable Negative Regulators

General Description

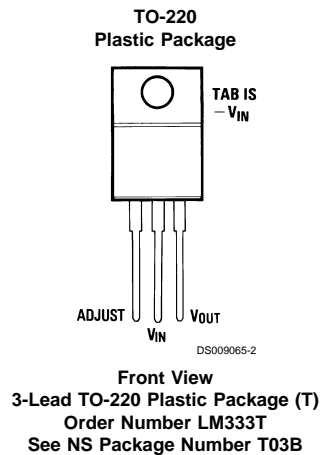
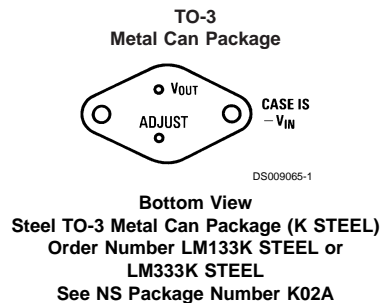
The LM133/LM333 are adjustable 3-terminal negative voltage regulators capable of supplying in excess of -3.0A over an output voltage range of -1.2V to -32V . These regulators are exceptionally easy to apply, requiring only 2 external resistors to set the output voltage and 1 output capacitor for frequency compensation. The circuit design has been optimized for excellent regulation and low thermal transients. Further, the LM133 series features internal current limiting, thermal shutdown and safe-area compensation, making them substantially immune to failure from overloads.

The LM133/LM333 serve a wide variety of applications including local on-card regulation, programmable-output voltage regulation or precision current regulation. The LM133/LM333 are ideal complements to the LM150/LM350 adjustable positive regulators.

Features

- Output voltage adjustable from -1.2V to -32V
- 3.0A output current guaranteed, -55°C to $+150^\circ\text{C}$
- Line regulation typically $0.01\%/V$
- Load regulation typically 0.2%
- Excellent rejection of thermal transients
- $50\text{ ppm}/^\circ\text{C}$ temperature coefficient
- Temperature-independent current limit
- Internal thermal overload protection
- P+ Product Enhancement tested
- Standard 3-lead transistor package
- Output is short circuit protected

Connection Diagrams



Absolute Maximum Ratings (Note 1)

If Military/Aerospace specified devices are required, please contact the National Semiconductor Sales Office/Distributors for availability and specifications.

Power Dissipation	Internally Limited
Input-Output Voltage Differential	35V
Operating Junction Temperature Range	T_{MIN} to T_{MAX}
LM133	-55°C to +150°C
LM333	-40°C to +125°C

Storage Temperature	-65°C to +150°C
Lead Temperature (Soldering, 10 sec.)	
TO-3 Package	300°C
TO-220 Package	260°C
ESD Susceptibility	TBD

Electrical Characteristics LM133

Specifications with standard typeface are for $T_J = 25^\circ\text{C}$, and those with **boldface type** apply over the full operating temperature range. (Note 3)

Parameter	Conditions	Typical	Min (Note 2)	Max (Note 2)	Units
Reference Voltage	$I_L = 10\text{ mA}$	-1.250	-1.238	-1.262	V
	$3\text{V} \leq V_{IN} - V_{OUT} \leq 35\text{V}$ $10\text{ mA} \leq I_L \leq 3\text{A}$, $P \leq P_{MAX}$	-1.250	-1.225	-1.275	V
Line Regulation	$3\text{V} \leq V_{IN} - V_{OUT} \leq 35\text{V}$ $I_{OUT} = 50\text{ mA}$ (Note 4)	0.01		0.02	% /V
		0.02		0.05	
Load Regulation	$10\text{ mA} \leq I_{OUT} \leq 3\text{A}$, $P \leq P_{MAX}$ (Notes 4, 5)	0.2		0.5	%
		0.4		1.0	
Thermal Regulation	10 ms Pulse	0.002		0.01	% /W
Temperature Stability	$T_{MIN} \leq T_J \leq T_{MAX}$	0.4			%
Long Term Stability	$T_J = 125^\circ\text{C}$, 1000 Hours	0.15			%
Adjust Pin Current		65		90	μA
		70		100	
Adjust Pin Current Change	$10\text{ mA} \leq I_L \leq 3\text{A}$ $3.0\text{V} \leq V_{IN} - V_{OUT} \leq 35\text{V}$	2		6	μA
Minimum Load Current	$ V_{IN} - V_{OUT} \leq 35\text{V}$	2.5		5.0	mA
	$ V_{IN} - V_{OUT} \leq 10\text{V}$	1.2		2.5	
Current Limit (Note 5)	$3\text{V} \leq V_{IN} - V_{OUT} \leq 10\text{V}$	3.9	3.0		A
	$ V_{IN} - V_{OUT} = 20\text{V}$	2.4	1.25		
	$ V_{IN} - V_{OUT} = 30\text{V}$	0.4	0.3		
Output Noise (% of V_{OUT})	10 Hz to 10 kHz	0.003			% (rms)
Ripple Rejection	$V_{OUT} = 10\text{V}$, $f = 120\text{ Hz}$ $C_{ADJ} = 0\ \mu\text{F}$ $C_{ADJ} = 10\ \mu\text{F}$	60 77			dB
Thermal Resistance Junction-to-Case	TO-3 Package (K STEEL)	1.2		1.8	$^\circ\text{C/W}$
Thermal Shutdown Temperature		163	150	190	$^\circ\text{C}$

Electrical Characteristics LM333

Specifications with standard typeface are for $T_J = 25^\circ\text{C}$, and those with **boldface type** apply over the full operating temperature range. (Note 3)

Parameter	Conditions	Typical	Min (Note 2)	Max (Note 2)	Units
Reference Voltage	$I_L = 10\text{ mA}$	-1.250	-1.225	-1.275	V
	$3\text{V} \leq V_{IN} - V_{OUT} \leq 35\text{V}$ $10\text{ mA} \leq I_L \leq 3\text{A}$, $P \leq P_{MAX}$	-1.250	-1.213	-1.287	

Electrical Characteristics LM333 (Continued)

Specifications with standard typeface are for $T_J = 25^\circ\text{C}$, and those with **boldface type** apply over the full operating temperature range. (Note 3)

Parameter	Conditions	Typical	Min (Note 2)	Max (Note 2)	Units
Line Regulation	$3\text{V} \leq V_{\text{IN}} - V_{\text{OUT}} \leq 35\text{V}$ $I_{\text{OUT}} = 50\text{ mA}$ (Note 4)	0.01 0.02		0.04 0.07	% /V
Load Regulation	$10\text{ mA} \leq I_L \leq 3\text{A}$, $P \leq P_{\text{MAX}}$ (Notes 4, 5)	0.2 0.4		1.0 1.5	%
Thermal Regulation	10 ms Pulse	0.002		0.02	% /W
Temperature Stability	$T_{\text{MIN}} \leq T_J \leq T_{\text{MAX}}$	0.5			%
Long Term Stability	$T_J = 125^\circ\text{C}$, 1000 Hours	0.2			%
Adjust Pin Current		65 70		95 100	μA
Adjust Pin Current Change	$10\text{ mA} \leq I_L \leq 3\text{A}$ $3.0\text{V} \leq V_{\text{IN}} - V_{\text{OUT}} \leq 35\text{V}$	2.5		8	μA
Minimum Load Current	$ V_{\text{IN}} - V_{\text{OUT}} \leq 35\text{V}$	2.5		10	mA
	$ V_{\text{IN}} - V_{\text{OUT}} \leq 10\text{V}$	1.5		5.0	
Current Limit (Note 5)	$3\text{V} \leq V_{\text{IN}} - V_{\text{OUT}} \leq 10\text{V}$	3.9	3.0		A
	$ V_{\text{IN}} - V_{\text{OUT}} = 20\text{V}$	2.4	1.0		
	$ V_{\text{IN}} - V_{\text{OUT}} = 30\text{V}$	0.4	0.20		
Output Noise (% of V_{OUT})	10 Hz to 10 kHz	0.003			% (rms)
Ripple Rejection	$V_{\text{OUT}} = 10\text{V}$, $f = 120\text{ Hz}$ $C_{\text{ADJ}} = 0\ \mu\text{F}$ $C_{\text{ADJ}} = 10\ \mu\text{F}$	60 77			dB
Thermal Resistance Junction to Case	TO-3 Package (K STEEL)	1.2		1.8	$^\circ\text{C/W}$
	TO-220 Package (T)	3		4	
Thermal Shutdown Temperature		163			$^\circ\text{C}$
Thermal Resistance Junction to Ambient (No Heatsink)	K Package	35			$^\circ\text{C/W}$
	T Package	50			

Note 1: Absolute Maximum Ratings indicate limits beyond which damage to the device may occur. Electrical specifications do not apply when operating the device outside of its stated operating conditions.

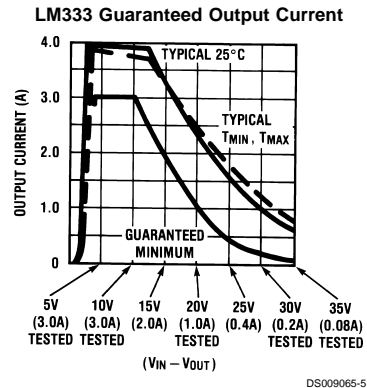
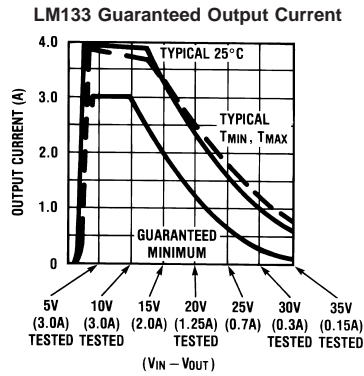
Note 2: All limits are guaranteed at either room temperature (standard type face) or at **temperature extremes (bold typeface)** by production testing or correlation techniques using standard Statistical Quality Control (SQC) methods.

Note 3: Unless otherwise specified: $|V_{\text{IN}} - V_{\text{OUT}}| = 5\text{V}$, $I_{\text{OUT}} = 0.5\text{A}$, $P_{\text{DISS}} \leq 30\text{W}$.

Note 4: Load and line regulation are measured at constant junction temperature, using low duty cycle pulse testing (output voltage changes due to heating effects are covered by the Thermal Regulation specification). For the TO-3 package, load regulation is measured on the output pin, $\frac{1}{8}$ " below the base of the package.

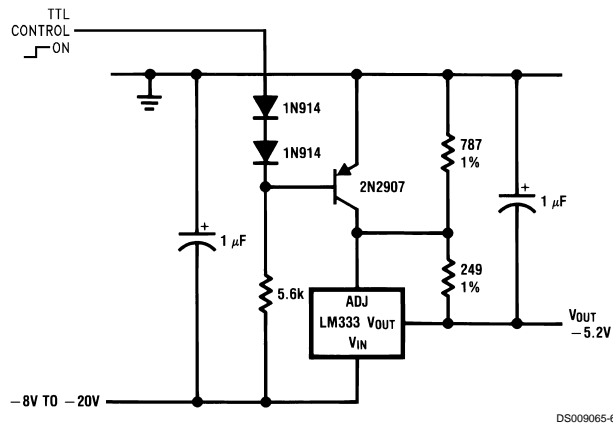
Note 5: The output current of the LM333 is guaranteed to be $\geq 3\text{A}$ in the range $3\text{V} \leq |V_{\text{IN}} - V_{\text{OUT}}| \leq 10\text{V}$. For the range $10\text{V} \leq |V_{\text{IN}} - V_{\text{OUT}}| \leq 15\text{V}$, the guaranteed minimum output current is equal to: $30 / (V_{\text{IN}} - V_{\text{OUT}})$. Refer to graphs for guaranteed output currents at other voltages.

Guaranteed Performance Characteristics

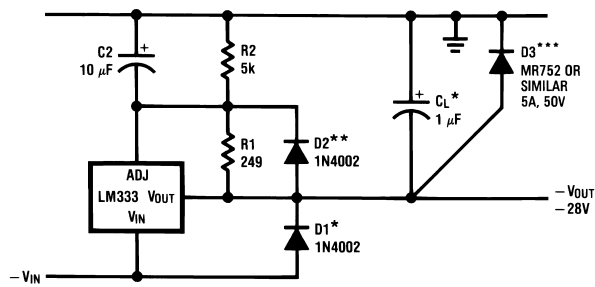


Typical Applications

-5.2V Regulator with Electronic Shutdown



Negative Regulator with Protection Diodes



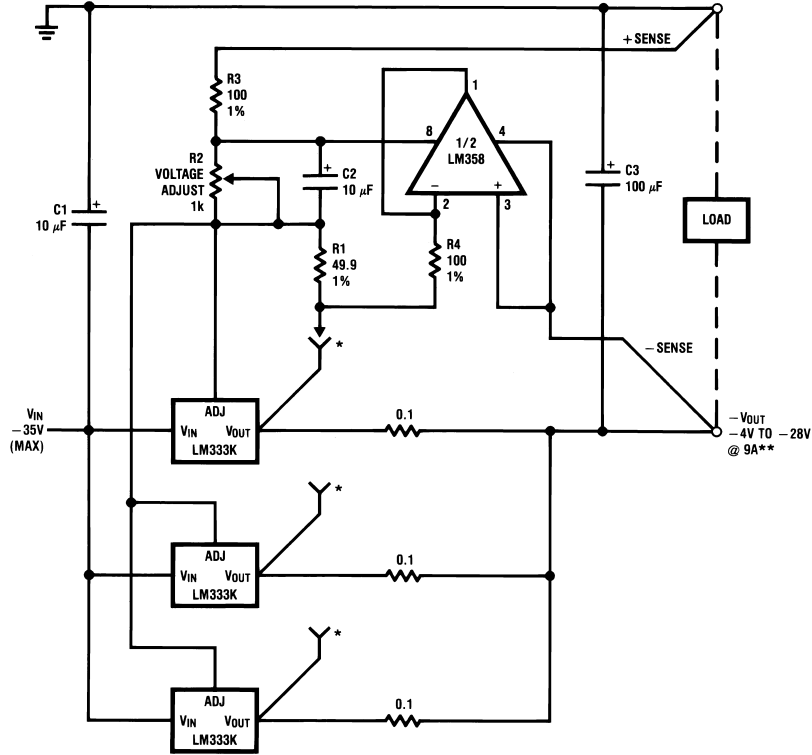
*When C_L is larger than 20 μF , D1 protects the LM133 in case the input supply is shorted.

**When C_2 is larger than 10 μF and $-V_{OUT}$ is larger than -25V, D2 protects the LM133 in case the output is shorted.

***In case V_{OUT} is shorted to a positive supply, D3 protects the LM133 from overvoltage, and protects the load from reversed voltage.

Typical Applications (Continued)

High-Performance 9-Ampere Adjustable Regulator

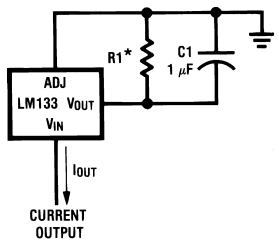


DS009065-8

*Wire R1 and R4 to the regulator that provides the highest V_{OUT} with a 3A load.

**Full output current requires $5V \leq |V_{IN} - V_{OUT}| \leq 10V$. At higher input-output voltages, load current will be less (see guaranteed curves)

Current Regulator

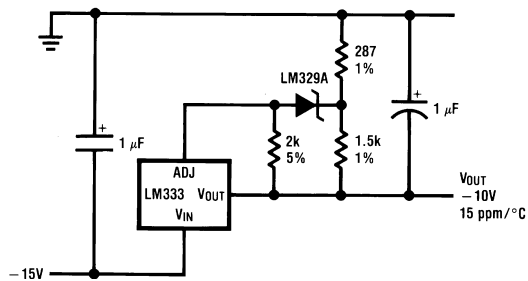


DS009065-9

$$I_{OUT} = \frac{V_{REF}}{R1}$$

$$*0.4\Omega \leq R1 \leq 120\Omega$$

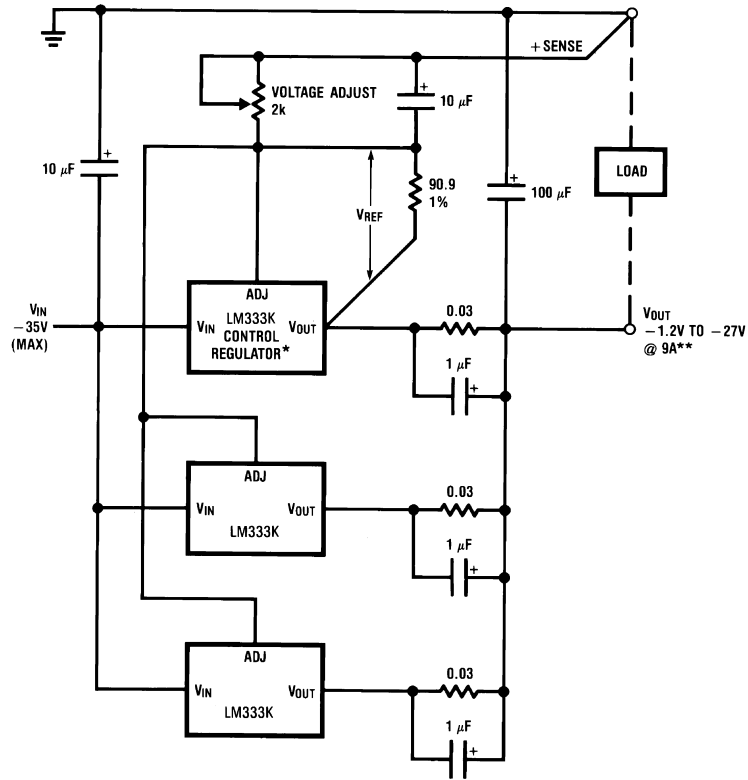
High Stability 10V Regulator



DS009065-10

Typical Applications (Continued)

High-Current Adjustable Regulator

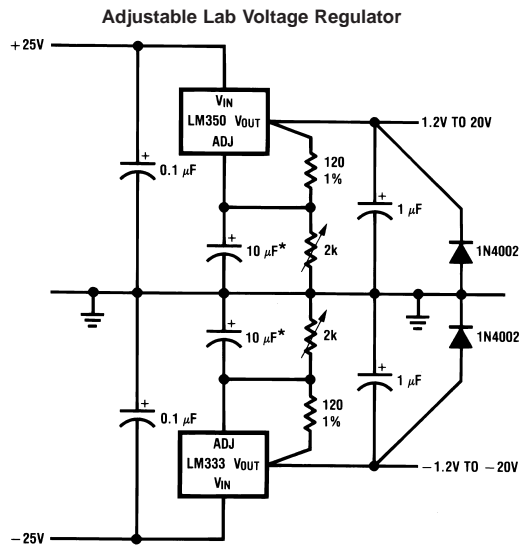


DS009065-11

*Control regulator must have the largest V_{REF}

**Full output current requires $5V \leq |V_{IN} - V_{OUT}| \leq 10V$. At higher input-output voltages, load current will be less (see guaranteed curves)

Typical Applications (Continued)



DS009065-12

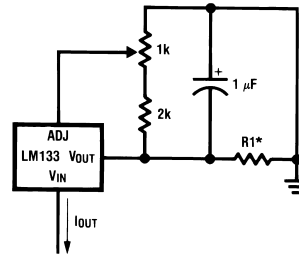
*The 10 μF capacitors are optional to improve ripple rejection.

THERMAL REGULATION

When power is dissipated in an IC, a temperature gradient occurs across the IC chip affecting the individual IC circuit components. With an IC regulator, this gradient can be especially severe since the power dissipation is large. Thermal regulation is the effect of these temperature gradients on output voltage (in percentage output change) per watt of power change in a specified time. Thermal regulation error is independent of electrical regulation or temperature coefficient, and occurs within 5 ms to 50 ms after a change in power dissipation. Thermal regulation depends on IC layout as well as electrical design. The thermal regulation of a voltage regulator is defined as the percentage change of V_{OUT} , per watt, within the first 10 ms after a step of power is applied. The LM133's specification is 0.01%/W, max.

In *Figure 1*, a typical LM133's output drifts only 2 mV (or 0.02% of $V_{\text{OUT}} = -10\text{V}$) when a 20W pulse is applied for 10 ms. This performance is thus well inside the specification limit of $0.01\%/W \times 20\text{W} = 0.2\%$ max. When the 20W pulse is ended, the thermal regulation again shows a 2 mV step as the LM133 chip cools off. Note that the load regulation error of about 1 mV (0.01%) is additional to the thermal regulation error. In *Figure 2*, when the 20W pulse is applied for 100 ms, the output drifts only slightly beyond the drift in the first 10 ms, and the thermal error stays well within 0.1% (10 mV).

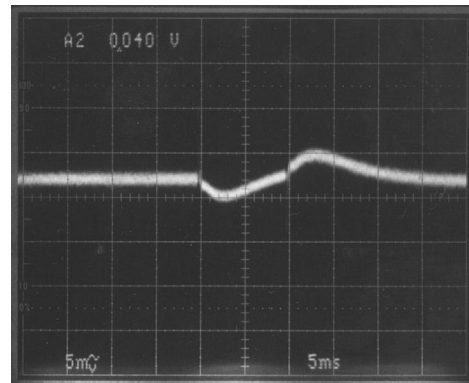
Adjustable Current Regulator



DS009065-13

$$I_{\text{OUT}} = \left(\frac{1.5\text{V}}{R1} \right) \pm 15\% \text{ adjustable}$$

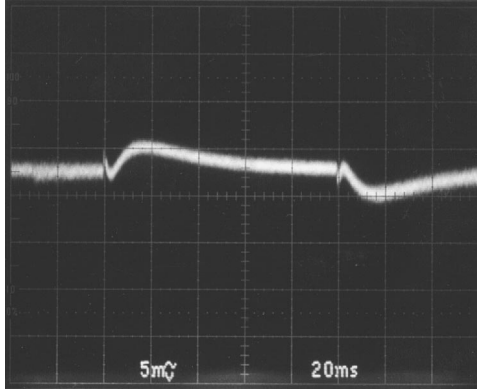
$$*0.5\Omega \leq R1 \leq 24\Omega$$



DS009065-14

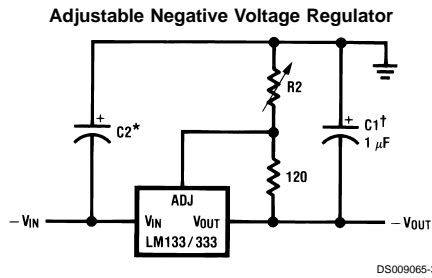
FIGURE 1.

Typical Applications (Continued)



DS009065-15

FIGURE 2.



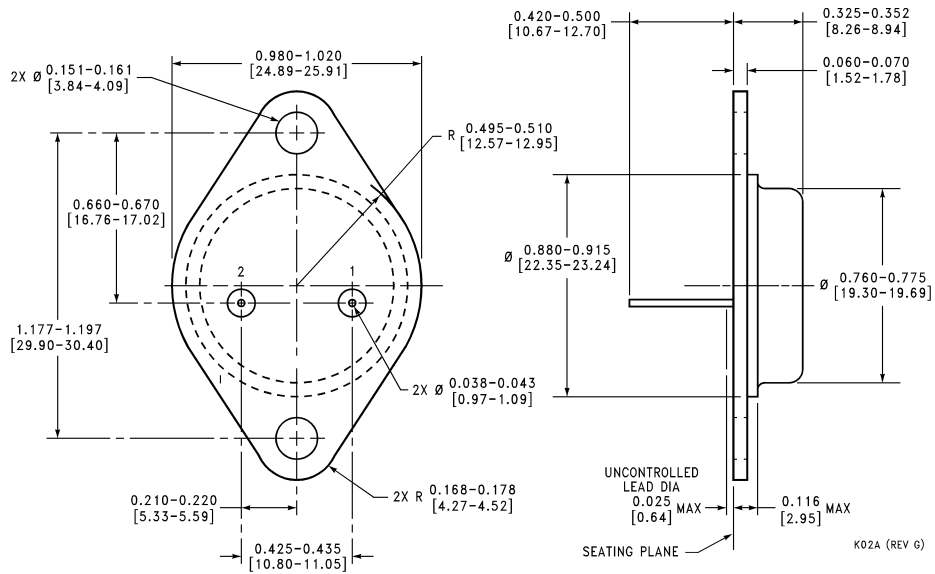
$$-V_{OUT} = -1.25V \left(1 + \frac{R2}{120\Omega} \right) + (-I_{ADJ} \times R2)$$

*C1 = 1 μ F solid tantalum or 10 μ F aluminum electrolytic required for stability.

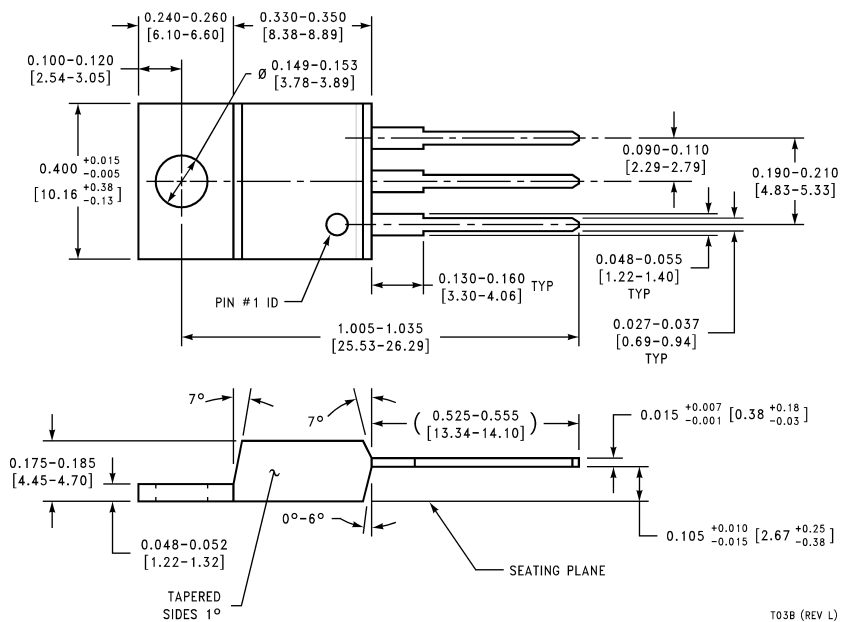
*C2 = 1 μ F solid tantalum is required only if regulator is more than 4" from power supply filter capacitor.

Output capacitors in the range of 1 μ F to 1000 μ F of aluminum or tantalum electrolytic are commonly used to provide lower output impedance and improved transient response.

Physical Dimensions inches (millimeters) unless otherwise noted



Steel TO-3 Metal Can Package (K STEEL)
Order Number LM133K STEEL or LM333K STEEL
NS Package Number K02A



3-Lead TO-220 Plastic Package (T)
Order Number LM333T
NS Package Number T03B

Notes

LIFE SUPPORT POLICY

NATIONAL'S PRODUCTS ARE NOT AUTHORIZED FOR USE AS CRITICAL COMPONENTS IN LIFE SUPPORT DEVICES OR SYSTEMS WITHOUT THE EXPRESS WRITTEN APPROVAL OF THE PRESIDENT AND GENERAL COUNSEL OF NATIONAL SEMICONDUCTOR CORPORATION. As used herein:

1. Life support devices or systems are devices or systems which, (a) are intended for surgical implant into the body, or (b) support or sustain life, and whose failure to perform when properly used in accordance with instructions for use provided in the labeling, can be reasonably expected to result in a significant injury to the user.
2. A critical component is any component of a life support device or system whose failure to perform can be reasonably expected to cause the failure of the life support device or system, or to affect its safety or effectiveness.



National Semiconductor Corporation
Americas
Tel: 1-800-272-9959
Fax: 1-800-737-7018
Email: support@nsc.com

www.national.com

National Semiconductor Europe

Fax: +49 (0) 1 80-530 85 86
Email: europe.support@nsc.com
Deutsch Tel: +49 (0) 1 80-530 85 85
English Tel: +49 (0) 1 80-532 78 32
Français Tel: +49 (0) 1 80-532 93 58
Italiano Tel: +49 (0) 1 80-534 16 80

National Semiconductor Asia Pacific Customer Response Group

Tel: 65-2544466
Fax: 65-2504466
Email: sea.support@nsc.com

National Semiconductor Japan Ltd.

Tel: 81-3-5639-7560
Fax: 81-3-5639-7507