

PREPARED BY: _____ DATE _____	<b>SHARP</b> LIQUID CRYSTAL DISPLAY GROUP SHARP CORPORATION  SPECIFICATION 10N	SPEC No. LC95705
APPROVED BY: _____ DATE _____		FILE No. _____
		ISSUED Jun 1.21.1995
		PAGE 15 Pages
		APPLICABLE DIVISION
		<input checked="" type="checkbox"/> DUTY PANEL DEVELOPMENT CENTER <input type="checkbox"/> TFT DEVELOPMENT CENTER <input type="checkbox"/> LCD PRODUCTS DEVELOPMENT CENTER <input type="checkbox"/> EL PRODUCT 10N DEPT.

SPECIFICATION FOR  
 Passive Matrix LCD Module  
  
 Model No.  
**LM162551**

CUSTOMER'S APPROVAL

DATE \_\_\_\_\_

BY \_\_\_\_\_

PRESENTED BY Y. Inoue

Y. Inoue  
 Department General Manager  
 Engineering Department 2  
 DUTY Panel Development Center  
 NARA LCD Group  
 SHARP Corporation



## 1. Overview

The **LM162551**, dot-matrix LCD module consists of a combination of a 5 X 7-dot 16-character 2-line dot-matrix LCD panel, LCD driver and controller LSI mounted on a single PCB. Incorporating mask ROM-based character generator and display data RAM in the controller LSI, the module is capable of efficiently displaying the desired characters under microcomputer control.

(Features)

- (1) Power dissipation is extremely low because of the dot-matrix LCD panel and CMOS LSI.
- (2) With the LCD panel and driver mounted on a single PCB, the module is very thin for ease of tacking into appliances.
- (3) Allowing for being connected at general-purpose CMOS signal level, the module can be easily interfaced to a microcomputer with common 4-bit and 8-bit parallel inputs and outputs.
- (4) Internal character generator ROM and RAM and display data RAM:
  - Character generator ROM-
    - 5 X 7 dots, 160 kinds of characters  
(alphanumeric and symbols)
  - Character generator --
    - 5 X 7 dots, 8 characters  
(write capability by program)
  - Display data RAM-
    - 80 X 8 bits
- (5) Extensive instruction set:
  - Display** clear, Cursor home, Display ON/OFF, Cursor ON/OFF, Blink character, Cursor shift, Display shift
- (6) Internal automatic reset circuit at power-on.
  - Refer to the separated users manual for the operating conditions.
- (7) Since the module operates from a single 5v power supply, it provides highly stable display over a wide range of temperature.

\* As to the packing, refer to the separate "COMMON PACKING SPECIFICATION FOR LM16255 series".

**2. Construction and Outline**

Construction : 5 X 7 dots + cursor, 16-character 2-lines  
dot-matrix LCD module

Outline : See Fig.7.

Connection : See Table 5.

Character details : See Fig.7.

Character pattern : See Table 8.

There shall be no scratches, stains, chips, distortions and other external drawbacks that may affect the display function. Rejection criteria shall be noted in Inspection Standard (S-A-082).

**3. Mechanical Specifications****Table 1**

Parameter	Specification	Unit
Outline dimensions	84(W) X 44(H) X 11 MAX(D)	mm
Effective display area	61(w) X 15.8(H)	mm
Display format	16 characters X 2 lines	
Character format	5 X 7 dots with cursor	
Character size	2.96(w) X 4.86(H) (5 X 7 dots)	mm
Dot size	0.56(W) X 0.66(H)	mm
Dot spacing	0.04	mm
Character color	Dark blue	
Background color	White	
Weight	Approx. 28	g

## 4. Electrical Specifications

### 4.1 Absolute maximum ratings

Table 2

Parameter	symbol	Min.	Max .	Unit	Remark
Supply voltage (Logic)	VDD-VSS	-0.3	+6.5	v	
Supply voltage (LCD drive)	V0-VSS	0	+6.5	v	VDD>V0
Input voltage	VIN	-0.3	VDD+0.3	v	
Storage temperature	Tstg	-25	+70	°C	
Operating temperature	Topr	0	+50	°C	

### 4.2 Electrical characteristics

Table 3

(Ta=25°C)

Parameter	Symbol	Min.	Typ.	Max.	Unit	Conditions	
Supply voltage (Logic)	VDD-VSS	4.75	5	5.25	v		
Supply voltage (LCD drive)	V0-VSS	-	1	-	v	VDD=5V	
Input voltage	"L"	VIL	-0.3	-	0.6	v	
	"H"	VIH	2.2	-	VDD	v	
output voltage	"L"	VOL	-	-	0.4	v	IOL=1.2mA
	"H"	VOH	2.4	-	-	v	-IOH=0.205mA
Input leakage current	IIL	-	-	1	uA		
Internal oscillating frequency	fosc	-	250	-	KHz		
Supply current (Logic)	IDD	-	1.6	2.2	mA	VDD= 5v	
Power dissipation	Pd	-	a	11	mW	Vo=0v	

### 4.3 Timing characteristics

Table 4

VDD=5.0V±5%  
Ta=0~50°C

Parameter	Symbol	Min.	Typ.	Max.	Unit
Enable cycle time	<b>tcycE</b>	1000			<b>ns</b>
Enable pulse width	PWEH	450			ns
Enable rise/fall time	tEr, tEf			25	<b>ns</b>
RS,R/W setup time	<b>tAS</b>	140			<b>ns</b>
Address hold time	tAH	10			<b>ns</b>
Data setup time	tDSW	195	—		<b>ns</b>
Data delay time	tDDR			320	ns
Data hold time(write)	<b>tH</b>	10			ns
Data hold time(read)	tDHR	20			ns

Timing chart: See Fig.1.

### 4.4 Pin Connections

Table 5

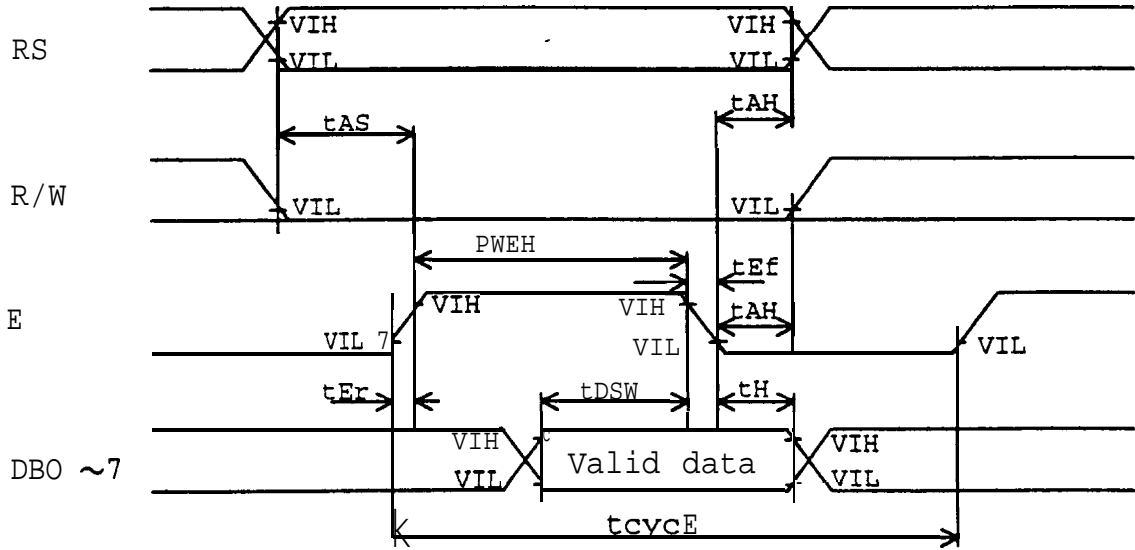
Pin No.	Symbol	Description	Connection
1	VSS	Ground	IGND: 0V
2	VDD	Power supply (Logic)	+5V power supply
3	V0	Contrast adjustment vo 1 tage	Adjust contrast by supplying 0~5V.
4	RS	Register select pin	Control signal inputs (For details, refer to Paragraph 6 and 7.)
5	R/W	Read/write pin	
6	E	Enable pin	
7	DB0	Code 1/0 data LSB	Data bus line :DB7 doubles as busy flag output. :When the module is interfaced to a microcomputer with 4-bit parallel outputs, pins DB0~DB3 are not used. (For details, refer to the paragraph 6 and 7.)
8	DB1	Code 1/0 data 2nd bit	
9	DB2	Code 1/0 data 3rd bit	
10	DB3	Code 1/0 data 4th bit	
11	DB4	Code 1/0 data 5th bit	
12	DB5	Code 1/0 data 6th bit	
13	DB6	Code 1/0 data 7th bit	
14	DB7	Code I/O data MSB	

4.5 Recommendable connector

Usable connector	Correspondable connector	Manufacturer
<b>W-P5014</b>	<b>W-F1914</b>	Showa Musen <b>Koovo K.K.</b>
5267-14A	5264-14	Mo lex
FCN-724P014-AU/S	FCN-723J014/1	Fujitsu
65507-114	6539-023	<b>Berg</b>

\*FCN-723J014/1 and 6539-023 are exchangeable.

Write Operation



Read Operation

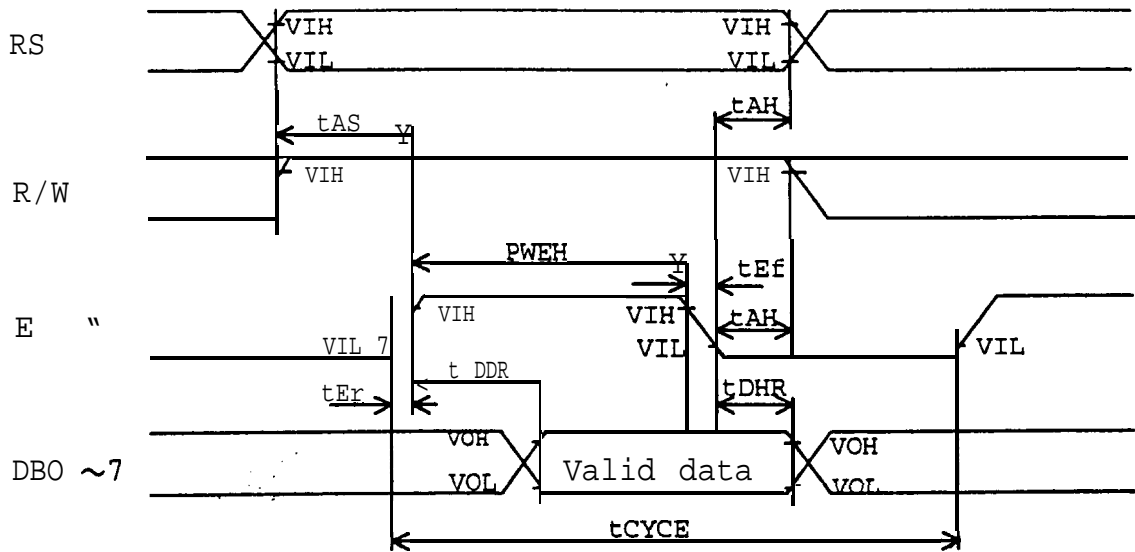


Fig.1 Timing Chart



## S. Optical Characteristics

Table 6

VDD-V0=4.0V  
Ta=25°C

Parameter	symbol	Condition	Min.	Typ.	Max.	Unit	Remark	
Viewing angle range	$\theta_2 - \theta_1$	$\phi = 0^\circ$ $\theta_1 < \theta_2$	$Co \geq 2.0$	30	-	-	dgr .	Note 1
	$\theta_1$		$Co = 2.0$	-	-	15	dgr .	Note 1
	$\theta_2$			40	-	-		
	$\theta_2 - \theta_1$	$\phi = 45^\circ$ $315^\circ$ $\theta_1 < \theta_2$	$Co \geq 2.0$	30	-	-	dgr .	Note 1
	$\theta_1$		$Co = 2.0$	-	-	20	dgr .	Note 1
	$\theta_2$			45	-	-		
Contrast ratio	co	$\theta = 15^\circ$	2	3	-	-	Note 2	
Response time	Rise	tr		150	300	ms	Note 3	
	Decay	td		200	400	ms	Note 3	

Note 1) The viewing angle range may be defined as shown below.

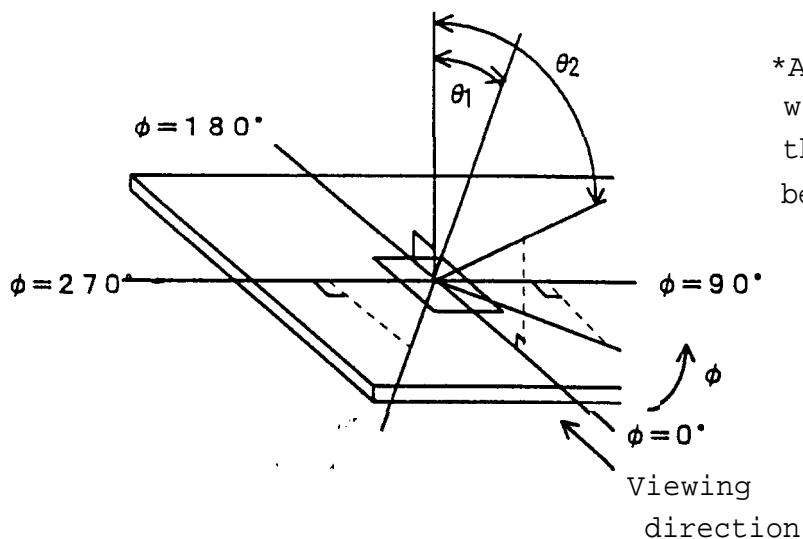


Fig.2 Definition of viewing angle

Note 2) Contrast ratio is defined as follows:

When input signal is applied to the module to select (turn on) the LCD dots (pixels) to be measured in the optical characteristics test method as defined in Fig.3.

$$\text{Contrast ratio} = \frac{\text{Photo-detector output voltage with non-select waveform being applied}}{\text{Photo-detector output voltage with select waveform being applied}}$$

Note 3) When input signal for selecting or non-selecting the dots to be measured are applied using the optical characteristics test method shown in Fig.3. The response characteristics of the photo-detector output are measured as shown in Fig.4.

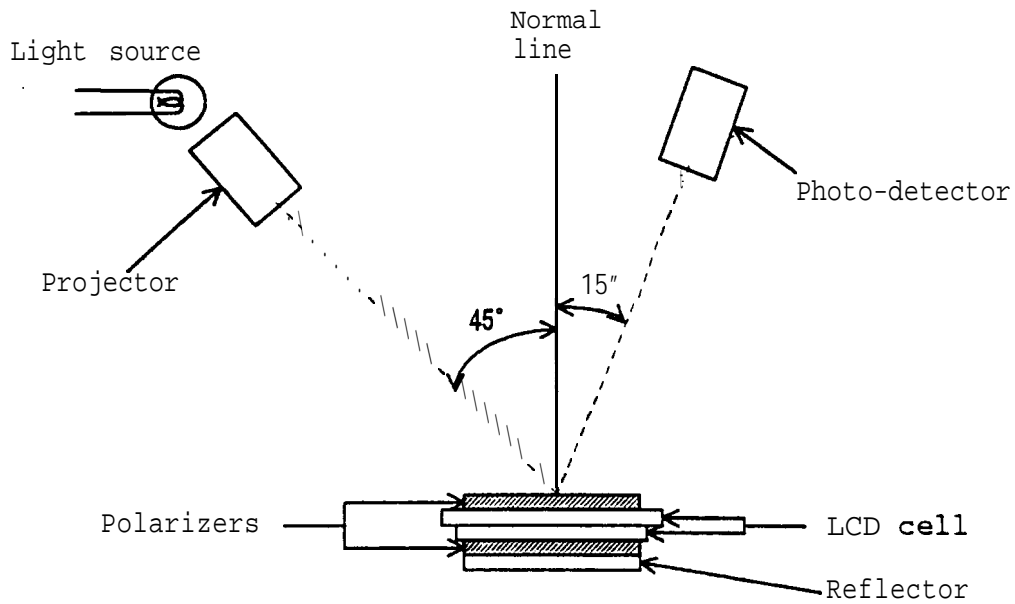


Fig.3 Optical Characteristics Test Method

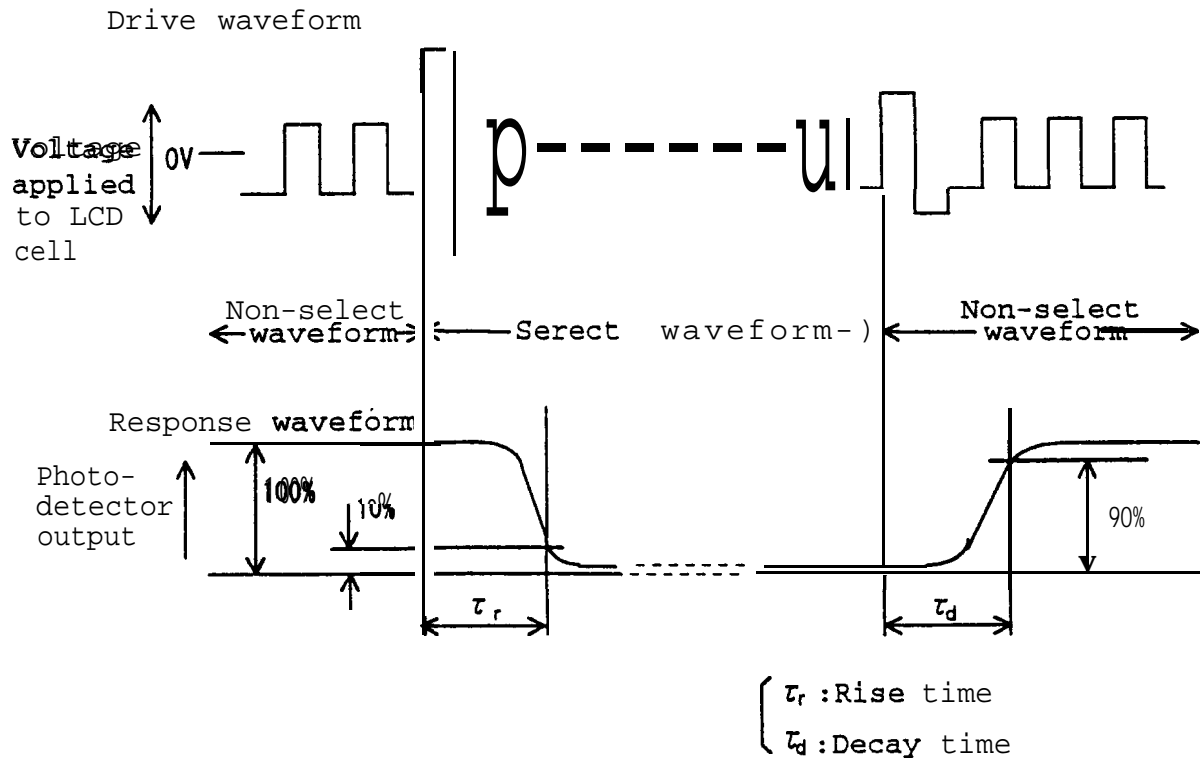


Fig.4 Definition of Response Time

## 6. Pin Description

### 1) VDD and VSS Pins

VDD and VSS pins are for power supply. VSS pin is grounded, and VDD pin is supplied with +5V. Each voltage necessary to drive LCD is generated in the module.

### 2) RS Pin

The controller LSI contains two 8-bit registers; instructions register (IR) and data register (DR) .

RS pin selects these registers. IR serves to store instruction codes for display clear, **shift, etc. and** address information for display data RAM (DD RAM), character generator RAM (CG RAM); DR serves to **temporarily** store data to be written into DD RAM and CG RAM.

" 0 " :Instruction register (write)  
Busy flag register; address counter (read)  
" 1 " :Data register (read/write)

### 3) R/W Pin

Read or write selection signal Pin.

" 0 " :Write  
" 1 " : Read

### 4) E Pin

Data read or write operation enable signal pin.

### 5) DB0~DB7 Pins

**Tri-state** hi-directional data bus pins. The bus allows data to be transmitted to or received from the external circuit. DB7 serves also as busy flag output. When the module is interfaced to a microcomputer with 4-bit parallel outputs, DB0~DB3 pins are not used. :

### 6) Vo Pin

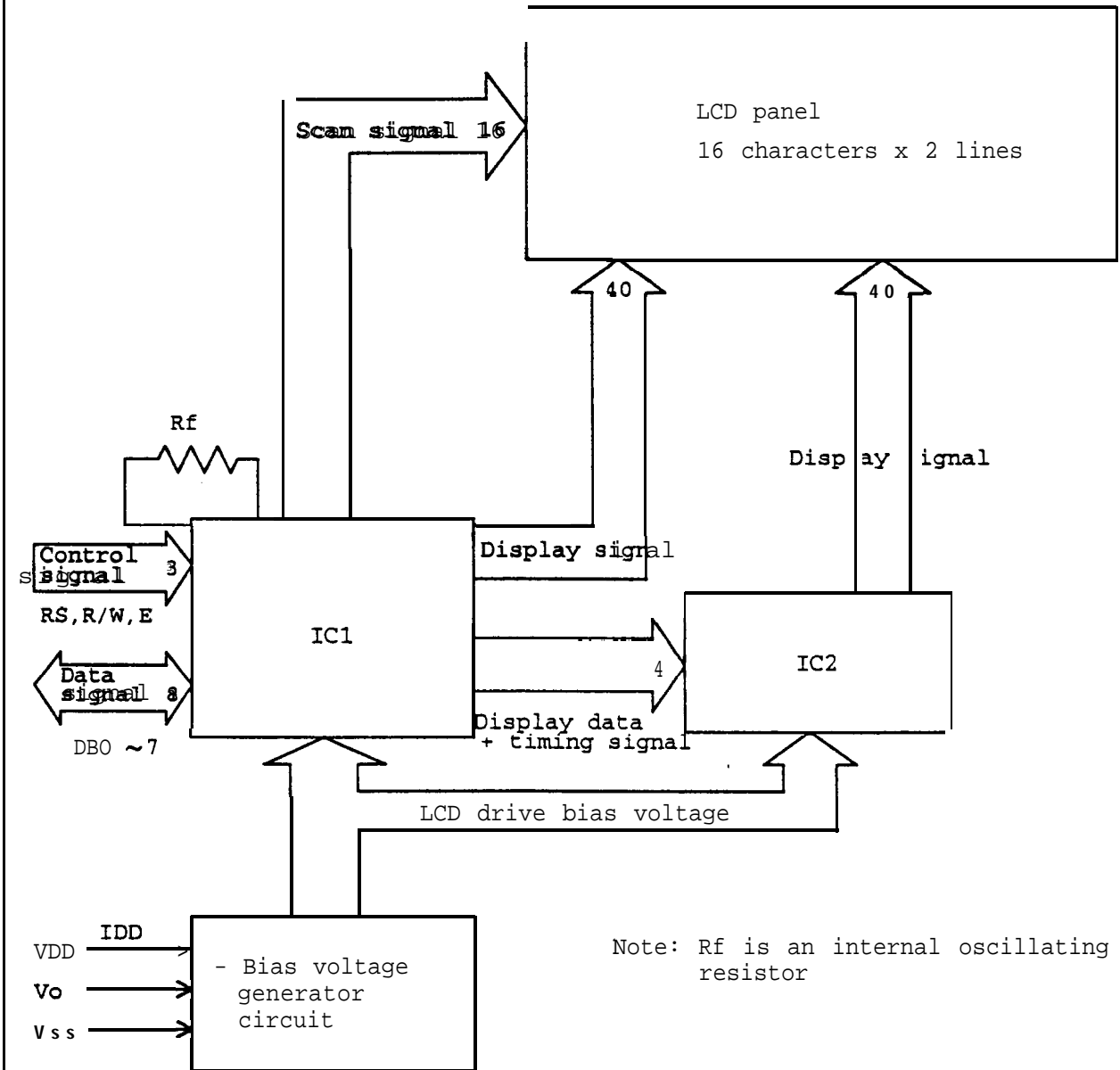
Viewing angle is varied and contrast is adjusted by changing input voltage between +5V~0V by applying bias voltage to the LCD driver.

## 7. Instruction Set

**Table 7**

Instruction	Code										Function
	RS	R/W	DB7	DB6	DB5	DB4	DB3	DB2	DB1	DB0	
Display clear	0	0	0	0	0	0	0	0	0	1	Clear <b>entire</b> display area, restore display from shift, and load address counter with <b>DD RAM</b> address <b>00H</b> .
Display/ cursor home	0	0	0	0	0	0	0	0	1	*	Restore display from shift and load address counter with <b>DD RAM</b> address <b>00H</b> .
Entry mode set	0	0	0	0	0	0	0	1	I/D	S	<b>Specify cursor advance direction</b> and display shift mode. This operation takes place after each data transfer.
Display ON/OFF	0	0	0	0	0	0	1	D	C	B	Specify activation of display (D), cursor(C), and blinking of character at cursor position(B).
Display/ cursor shift	0	0	0	0	0	1	S/C	R/L	*	*	Shift display or move cursor.
Function set	0	0	0	0	1	DL	1	0	*	*	Set interface data length.
CG RAM address set	0	0	0	1	ACG					Load the address counter with a <b>CG RAM</b> address. Subsequent data is <b>CG RAM</b> data.	
DD RAM address set	0	0	1	ADD					Load the address counter with a <b>CG RAM</b> address. Subsequent data is <b>DD RAM</b> data.		
Busy flag/address counter read	0	1	BF	AC					Read busy <b>flag(BF)</b> and contents of address counter.		
CG RAM/DD RAM data write	1	0	Write data					Write data to <b>CG RAM</b> or <b>DD RAM</b> .			
CG RAM/DD RAM data read	1	1	Read data					Read data from <b>CG RAM</b> or <b>DD RAM</b> .			

<b>I/D=1: Increment</b> <b>S</b> □1":Shift display <b>D</b> =1:Display ON <b>C</b> =1:Cursor ON <b>B</b> =1:Character at cursor position blinks .	<b>I/D=0:Decrement</b> <b>S</b> =0:Freeze display <b>D</b> =0:Display OFF <b>C</b> =0:Cursor OFF <b>B</b> =0:Character at cursor position unblinks.	<b>S/C=1:Shift display</b> <b>R/L=1:Shift right</b> <b>DL=1:8-bit</b> <b>BF=1:During internal</b> operation	<b>S/C=0:Move cursor</b> <b>R/L=0:Shift left</b> <b>DL =0:4-bit</b> <b>BF =0:End of Internal</b> operation
---	---	---	--



**Fig. 5 Block Diagram**

IC1:HD44780UA (HITACHI)  
IC2:MSM5259 (OKI)

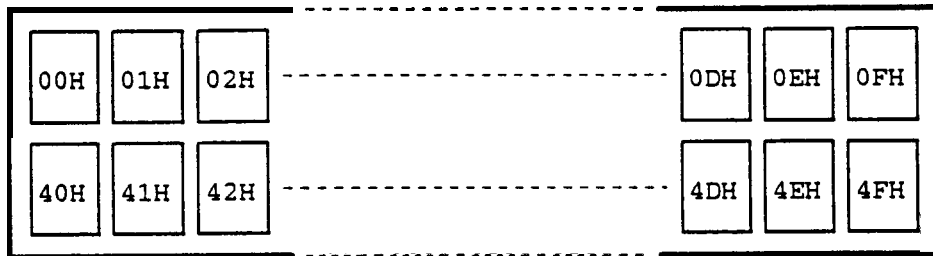


Fig.6 Display Address (When the display is not shifted)

## 8. Precautions

### 8.1 Angle when installing the module

This module's viewing angle is illustrated in Fig.2.

$$\theta 1 < \text{viewing range} < \theta 2$$

(For the specific values of  $\theta 1$ ,  $\theta 2$ , refer to the Table 6.)

Please consider the optimum viewing conditions according to the purpose when installing the module.

### 8.2 Handling cautions

This module is installed using mounting **tabs** at the four corners of PCB or bezel.

**When** installing the **module**, pay attention and handle carefully not to **allow any** undue stress such as twist or bend.

A transparent acrylic resin board or other type of protective panel should be attached to the front of the module to protect the **polarizer, LCD cells, etc.**

### 8.3 Notes on attachment

- (1) Since the front polarizer is easily **damaged**, please pay attention not to scratch on its face. And an **acrylic sheet, or the like, may** be used to protect the LCD panel at mounting LCD module.
- (2) If the surface of the LCD cells need to be **cleaned**, wipe it swiftly with cotton or other soft cloth. If still not completely **clear**, blow on it and wipe.
- (3) Water **droplets, etc. must** be wiped off immediately since they may cause **color changes, staining, etc. if remained** for a long time.
- (4) Since LCD is made of glass plates, dropping the module or banging **it against** hard objects may cause cracking or fragmentation.
- (5) CMOS LSIS are equipped in this **module**, so care must be taken to avoid the electric static **charge**, by earthing human **body, etc.** Take the following **measures**, to protect the module from the electric discharge via mounting tabs from the main system electrifies with static electricity.



#### 8.4 Notes on operation

The module should be driven according to the specified ratings to avoid malfunction of permanent damage.

#### 8.5 Others

- (1) Avoid to expose the module to the direct sun-light, strong ultra-violet **light, etc. for** a long time.
- (2) If stored at temperatures below specified storage temperature, the LC may freeze and be deteriorated. If storage temperature exceed the specified **rating, the** molecular orientation of the **LC** may change to that of a **liquid, and** they may not revert to their original state. As far **as** possible always store at normal room temperature.
- (3) If the LCD panel is removed from the LCD **module, it** may cause the poor contact. So please avoid to dismantle the module.
- (4) Don't use any materials which emit following gas from epoxy **resin (amines** hardener) and silicon **adhesive** agent (**dealcohol** or **deoxym**) to prevent change polarizer color owing to gas.

Table 8 Input Code vs. Character Pattern

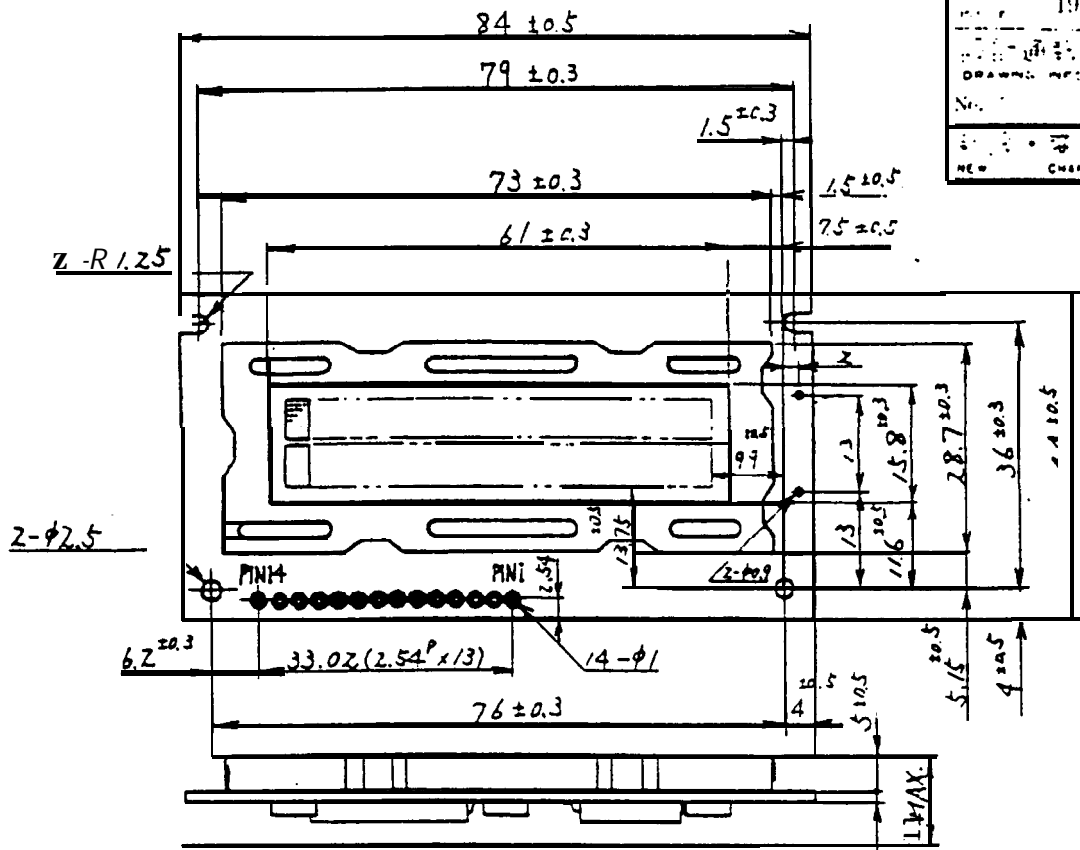
*1 *2 4bit 4bit	0000	0010	0011	0100	0101	0110	0111	1010	1011	1100	1101	1110	1111
xxxx0000	CG RAM (1)		0	1	2	3	4	5	6	7	8	9	*
xxxx0001	(2)	1	2	3	4	5	6	7	8	9			*
xxxx0010	(3)	2	3	4	5	6	7	8	9			*	0
xxxx0011	(4)	3	4	5	6	7	8	9				*	1
xxxx0100	(5)	4	5	6	7	8	9					*	2
xxxx0101	(6)	5	6	7	8	9						*	3
xxxx0110	(7)	6	7	8	9							*	4
xxxx0111	(8)	7	8	9								*	5
xxxx1000	(1)	8	9									*	6
xxxx1001	(2)	9										*	7
xxxx1010	(3)											*	8
xxxx1011	(4)											*	9
xxxx1100	(5)											*	0
xxxx1101	(6)											*	1
xxxx1110	(7)											*	2
xxxx1111	(8)											*	3

Note 1. CG RAM is character generator RAM in which user-definable character patterns are stored.

Note 2. X mark: prohibition of input

\*1 High-order \*2 Low-order

出図	19
通称	連絡書
DRWG. NO.	INFORMATION
No.	1号による
NEW	CHANGE
REPLACE	REPLACE



#	##
1	V <sub>GS</sub>
2	V <sub>OD</sub>
3	V <sub>0</sub>
4	R <sub>S</sub>
5	R/W
6	E
7	DB <sub>0</sub>
8	DB <sub>1</sub>
9	DB <sub>2</sub>
10	DB <sub>3</sub>
11	DB <sub>4</sub>
12	DB <sub>5</sub>
13	DB <sub>6</sub>
14	DB <sub>7</sub>

\* Pin No.  
 \*\* Display signal

Character Pattern Details  
 (S = 5/1)

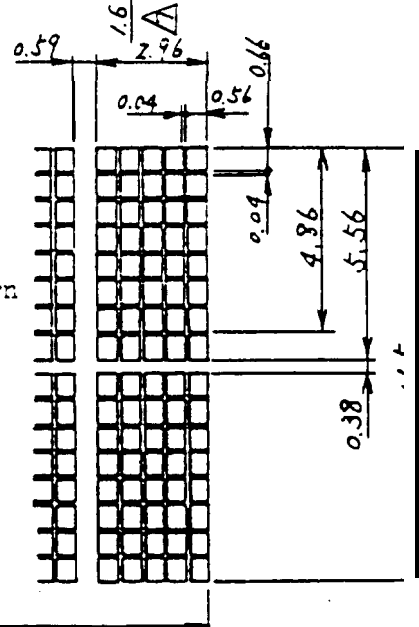


Fig.7 Module Outline Dimension.

指示なき寸法公差は となる  
 UNSPECIFIED TOL TO BE

△	19 . .				LM162551	名 稱 NAME	Outline Dimensions and Pin Connections
△	19 . .				LM16255		
	年 月 日 DATE	訂 正 記 事 REVISION	設 計 者 DESIGNER	用 出 CHECKER	型 号 檢 査 MODEL		
	材 質 MATERIAL	厚 度 THICKNESS	材 質 FINISH	尺 寸 SCALE	1/1	記 号 SYMBOL	
						部 品 代 号 PARTS CODE	
設 計 DESIGN	檢 査 CHECK	檢 査 CHECK	認 可 APPROVE	SHARP CORPORATION		日 期 DATE	1985. 3. 4.
神 戶				SHARP CORPORATION Display Division		図 号 DRAWING NO.	0D16255-0012
				様式規 44-A 4			

PREPARED BY: _____ DATE _____	<h1>SHARP</h1> <p>ELECTRONIC COMPONENTS GROUP</p> <p>SHARP CORPORATION</p> <h2>SPECIFICATION</h2>	SPEC No. LC63408
APPROVED BY: _____ DATE _____		FILE No. _____
		ISSUE Apr. 8, 1988
		PAGE 16 Pages
		<b>REPRESENTATIVE DIVISION</b> <input type="checkbox"/> IC DIV. <input type="checkbox"/> SEMICONDUCTOR APPLICATION DIV. <input checked="" type="checkbox"/> LCD DIV. <input type="checkbox"/> ELECTRONIC COMPONENTS DIV. a

DEVICE SPECIFICATION FOR

Dot Matrix LCD Unit  
(16-character/2-line Display  
built in a LED backlight)

MODEL No. **LM16X21A**

CUSTOMER' S APPROVAL

DATE \_\_\_\_\_

BY \_\_\_\_\_

PRESENTED  
BY H. Nakajima

**H. Nakajima**  
Department General Manager  
Engineering Department  
LCD Division  
ELECOM Group  
SHARP CORPORATION

**SHARP**

LM16X21A

1. Overview

The LM16X21A, dot-matrix LCD unit consists of a 5 x 7-dot 16-character 2-line dot-matrix LCD panel, LCD driver, controller LSI and yellow green backlight LED fabricated on a single PCB. Incorporating mask ROM-based character generator and display data RAM in the controller LSI, the unit can efficiently display the desired characters under microprocessor control. LCD is positive type.

(Features)

- (1) The LCD of the unit is STHC (Super Twisted High Contrast) yellow green transmissive type.
  - (2) Low power consumption with the dot-matrix LCD panel and CMOS LSI. Built-in backlight LED with high luminance and stable radiation.
  - (3) Thin, lightweight design permits easy installation in a variety of equipment.
  - (4) Allowing for being connected at general-purpose CMOS signal level, the unit can be easily interfaced to a microprocessor with common 4-bit and 8-bit parallel inputs and outputs.
  - (5) Built-in character generator ROM and RAM, and display data RAM:
    - Character generator ROM  
160 different 5 x 7 dot-matrix character patterns  
(Alphanumeric and symbols)
    - Character generator RAM  
8 different user programmed 5 x 7 dot-matrix patterns
    - Display data RAM  
80 x 8 bits
  - (6) Numerous instructions  
Display clear, Cursor home, Display ON/OFF, Cursor ON/OFF, Blink character, Cursor shift, Display shift
  - (7) Built-in reset circuit is triggered at power ON.  
(For the operating conditions, refer to the separate user's manual "Dot-Matrix LCD Units with built-in controllers".)
  - (8) The unit operates from a single 5V power supply.
- \* As to the packing, refer to the separate "COMMON PACKING SPECIFICATION FOR LM16255 series".

**SHARP**

## 2. Construction and Outline

**Construction :** 5 x 7 **dots** + cursor, 16-character 2-line **dot-matrix** display unit (Built-in Yellow-green backlight LED, **positive type**)

**Outline :** See Fig. 1.

**Interface signals :** See Table 5.

**Character pattern details :** See Fig. 7.

**Character codes :** See Table 9.

There shall be no scratches, stains, chips, distortions and other external **drawbacks** that may **affect** the display function.

Rejection criteria shall be **noted** in Inspection Standard (S-U-009).

## 3. Mechanical Specifications

Table 1

Parameter	Specification	Unit
Outline dimensions	84(W) X 44(H) X16 MAX(D)	mm
Effective display area	61(W) X 15.8(11)	mm
Display format	16 characters X 2 lines	
Character format	5 X 7 dots with cursor	
Character size	2.96(W) X 4.86(H) (5 X 7 dots)	mm
Dot size	0.56(W) X 0.66(11)	mm
Dot spacing	0.04	mm
Character color *	Dark blue	
Backlight color	Yellow green	
Weight	Approx. 40	g

\* Due to the characteristics of the LC Material, the color vary with environmental temperature.

**SHARP**4. Electrical Specifications

## 4.1 Absolute maximum ratings

Table 2

Parameter	Symbol	Min.	Max.	Unit	Remark
Supply voltage (Logic)	$V_{DD} - V_{SS}$	-0.3	+6.5	V	
Supply voltage (LCD drive)	$V_O - V_{SS}$	0	+6.5	V	$V_{DD} > V_O$
Supply current (Backlight LED)	I <sub>LED</sub>		240	mA	T <sub>a</sub> =25°C
Input voltage	$V_{IN}$	-0.3	$V_{DD} + 0.3$	V	
Storage temperature	T <sub>stg</sub>	-25	+70	°C	
Operating temperature	T <sub>opr</sub>	0	+50	°C	
Reverse voltage (Backlight LED)	$V_{LED} - V_{LSS}$	-5	-	V	

## 4.2 Electrical characteristics

Table 3(T<sub>a</sub> = 25°C)

Parameter	Symbol	Min.	Typ.	Max.	Unit	Condition
Supply voltage (Logic)	$V_{DD} - V_{SS}$	4.75	5.0	5.25	V	
Supply voltage (LCD drive)	$V_O - V_{SS}$		0.65'		V	$V_{DD} = 5.0V$
Input voltage	" L "	$V_{IL}$	-0.3	0.6	V	
	" H "	$V_{IH}$	2.2	$V_{DD}$	V	
Output voltage	" L "	$V_{OL}$	-	0.4	V	I <sub>OL</sub> = 1.2mA
	" H "	$V_{OH}$	2.4		V	-I <sub>OIH</sub> = 0.205mA
Input leakage current	I <sub>IL</sub>			f	μA	
Internal oscillating frequency	f <sub>osc</sub>		250		KHz	
Supply current	I <sub>DD</sub>		1.6	2.2	mA	$V_{DD} = 5V, V_O = 0V$
	I <sub>LED</sub>		120	180	mA	$V_{LED} - V_{LSS} = 5.0V$
Power dissipation	Pd		608	911	mW	$V_{DD} = 5V, V_O = 0V$
						$V_{LED} - V_{LSS} = 5.0V$
Supply voltage (Backlight LED)	$V_{LED} - V_{LSS}$	4.75	5.0	5.25	V	

\* Note. After over 30 minutes since backlight begin lighting.

**SHARP**

4.3 Timing characteristics

Table 4

$V_{DD}=5.0V \pm 5\%$

$T_a = 0 \sim 50^\circ C$

Parameter	Symbol	Min.	Typ.	Max.	Unit
Enable cycle time	$t_{cycE}$	1000	-	-	ns
Enable pulse width	$P_{WEH}$	450	-	-	ns
Enable rise/fall time	$t_{Er}, t_{Ef}$	-	-	25	ns
KS, R/W setup time	$t_{AS}$	140	-	-	ns
Address hold time	$t_{AH}$	10	-	-	ns
Data setup time	$t_{DSW}$	195	-	-	ns
Data delay time	$t_{DDR}$	-	-	320	ns
Data hold time(write)	$t_{H}$	10	-	-	ns
Data hold time(read)	$t_{DHR}$	20	-	-	ns

Timing chart: See Fig. 1.

4.4 Interface signals

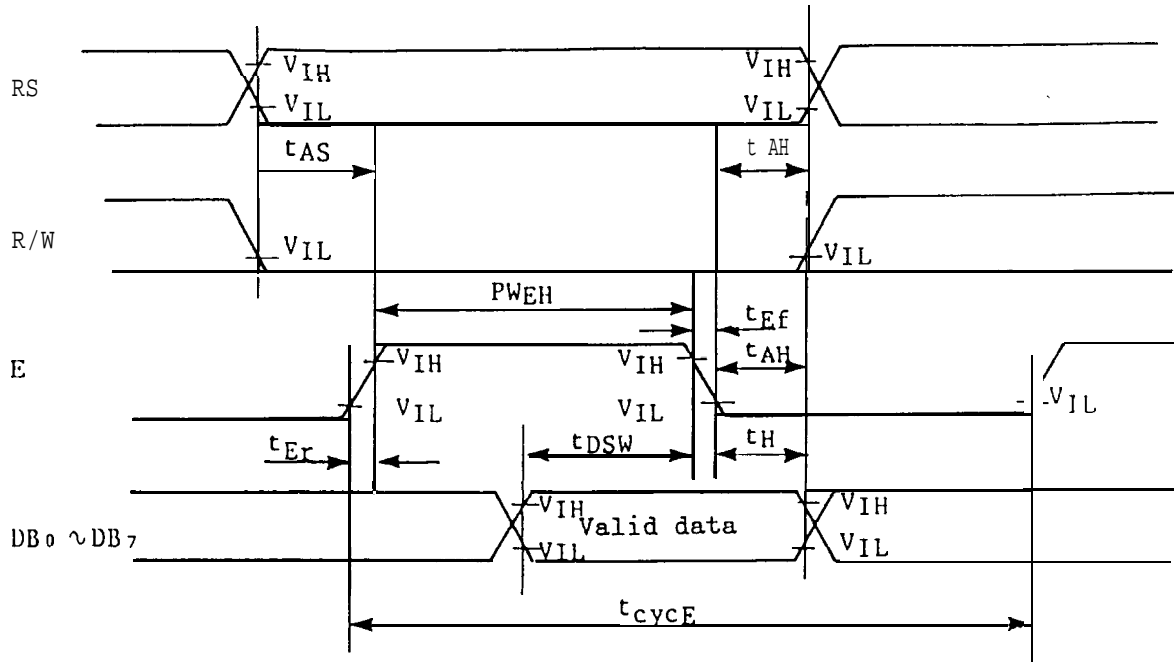
Table 5

Pin No.	Symbol	Description	Connection
1	$V_{SS}$	Ground potential	GND : 0V
2	$V_{DD}$	Power supply	+5V
3	$V_0$	Contrast adjustment voltage	Adjust the contrast by changing the supply voltage from 0V to 5V.
4	KS	Register select signal	Control signal inputs (For details, see section 6 and 7.)
5	R/W	Read/write select signal	
6	E	Operation (data read/write enable signal)	
7	$DB_0$	Code I/O data LSB	Data bus line $DB_7$ may also be used to check the busy flag.  Lines $DB_0 \sim DB_3$ are not used when interfacing with a 4-bit microprocessor. (For details, see section 6 and 7.)
8	$DB_1$	Code I/O data 2nd bit	
9	$DB_2$	Code I/O data 3rd bit	
10	$DB_3$	Code I/O data 4th bit	
11	$DB_4$	Code I/O data 5th bit	
12	$DB_5$	Code I/O data 6th bit	
13	$DB_6$	Code I/O data 7th bit	
14	$DB_7$	Code I/O data MSB	5V power supply between $V_{LED}$ and $V_{SS}$ .
15	$V_{LED}$	Power supply(+)	
16	$V_{SS}$	Power supply (-)	



**SHARP**

Write Operation



Read Operation

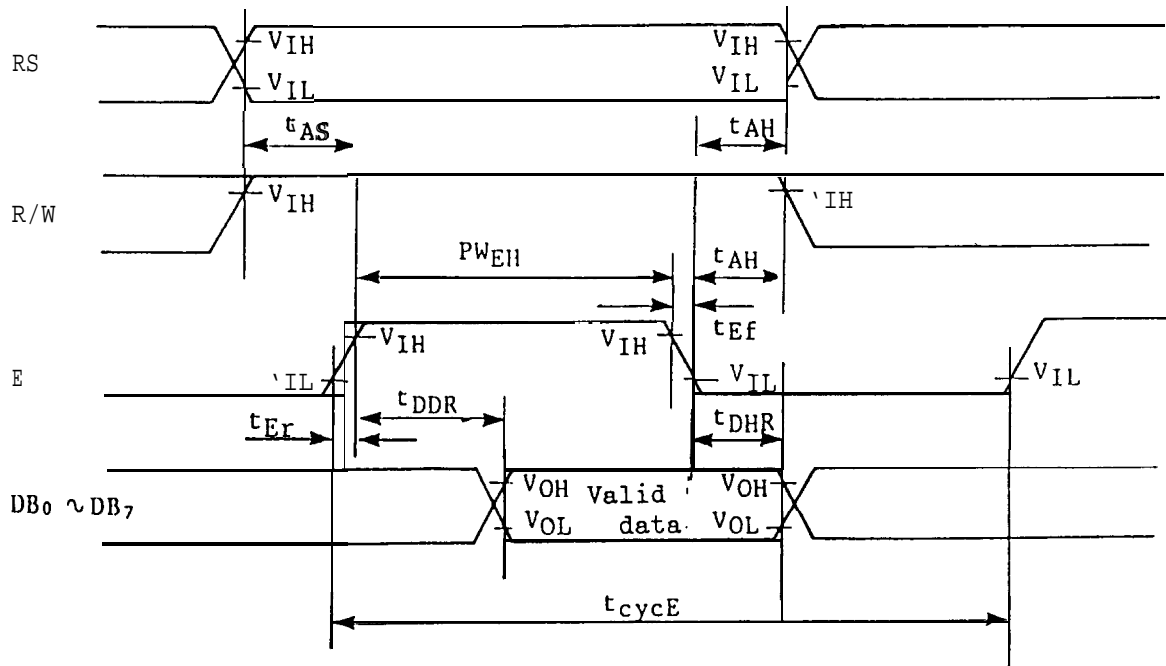


Fig. 1 Timing Chart