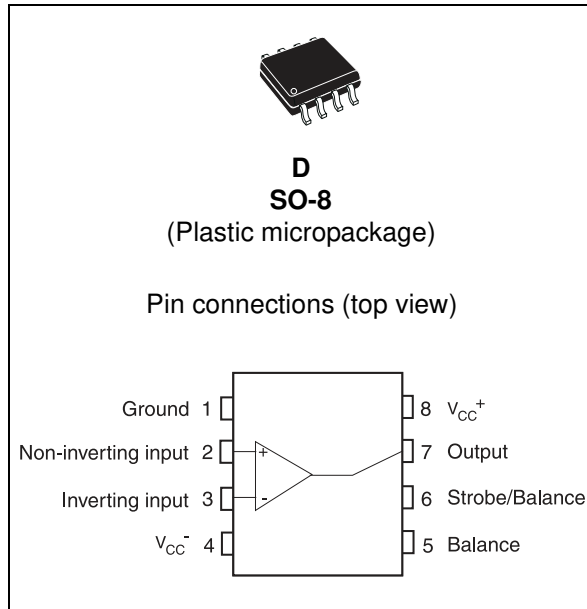


Voltage comparator with strobe

Datasheet - production data



Description

The LM211, LM311 are voltage comparators that have low input currents.

They are also designed to operate over a wide range of supply voltages: from standard ± 15 V operational amplifier supplies down to the single +5 V supply used for IC logic.

Their output is compatible with RTL-DTL and TTL as well as MOS circuits and can switch voltages up to +50 V at output currents as high as 50 mA.

Features

- Maximum input current: 150 nA
- Maximum offset current: 20 nA
- Differential input voltage range: ± 30 V
- Power consumption: 135 mW at ± 15 V
- Supply voltage: +5 V to ± 15 V
- Output current: 50 mA

Table 1. Order codes

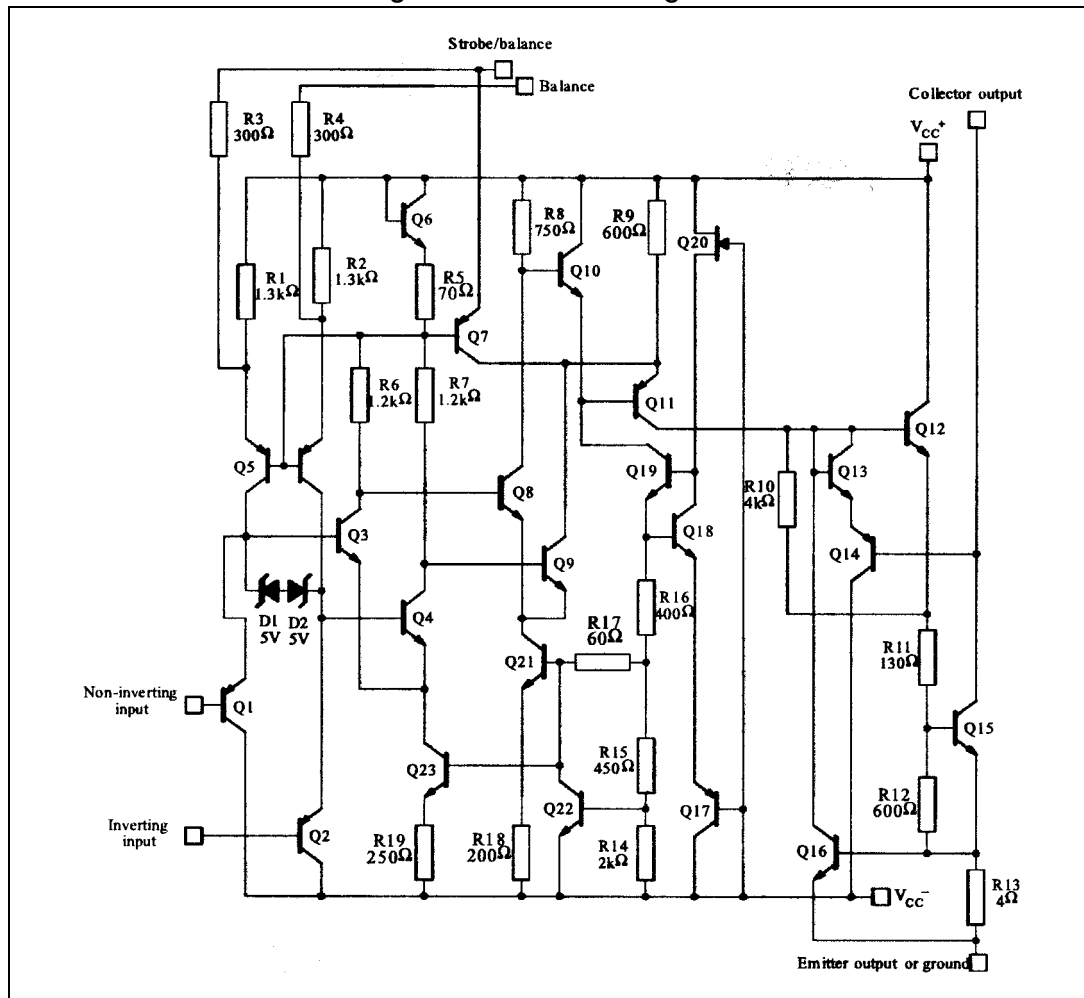
Part number	Temperature range	Package	Packing	Marking
LM211D/DT	-40 °C, +105 °C	SO-8	Tube or tape & reel	211
LM311D/DT	0 °C, +70 °C			311

Contents

1	Schematic diagram	3
2	Absolute maximum ratings & operating conditions	4
3	Electrical characteristics	5
4	Typical application schematics	9
5	Package mechanical data	10
	5.1 SO-8 package information	11
6	Revision history	12

1 Schematic diagram

Figure 1. Schematic diagram



2 Absolute maximum ratings & operating conditions

Table 2. Absolute maximum ratings (AMR)

Symbol	Parameter	Value	Unit
V_{CC}	Supply voltage	36	V
V_{id}	Differential input voltage	± 30	V
V_i	Input voltage ⁽¹⁾	± 15	V
$V_{(1-4)}$	Ground to negative supply voltage	30	V
$V_{(7-4)}$	Output to negative supply voltage		V
	LM211	50	
	LM311	40	
	Output short-circuit duration	10	s
	Voltage at strobe pin	$V_{CC}^+ - 5$	V
P_d	Power dissipation ⁽²⁾		mW
	SO-8	710	
T_j	Junction temperature	+150	°C
T_{stg}	Storage temperature range	-65 to +150	°C
ESD	Human Body Model (HBM)	800	V
	Charged Device Model (CDM)	1500	
	Machine Model (MM)	200	

1. This rating applies for $\pm 15V$ supplies. The positive input voltage limit is 30V above the negative. The negative input voltage is equal to the negative supply voltage or 30V below the positive supply, whichever is less.
2. P_d is calculated with $T_{amb} = +25^\circ\text{C}$, $T_j = +150^\circ\text{C}$ and $R_{thja} = 175^\circ\text{C/W}$ for the SO-8 package.

Table 3. Operating conditions

Symbol	Parameter	Value	Unit
V_{CC}	Supply voltage	5 to ± 15	V
T_{oper}	Operating free-air temperature range		°C
	LM211	-40 to +105	
	LM311	0 to +70	

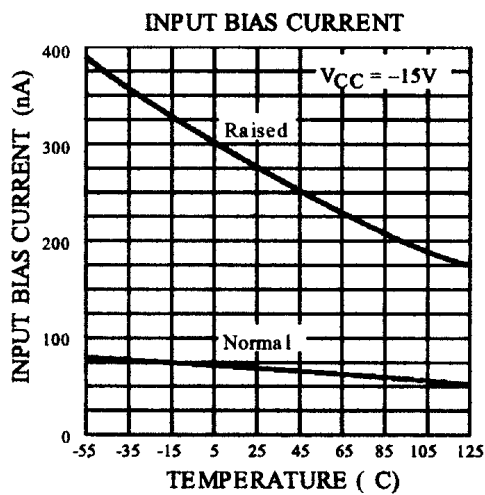
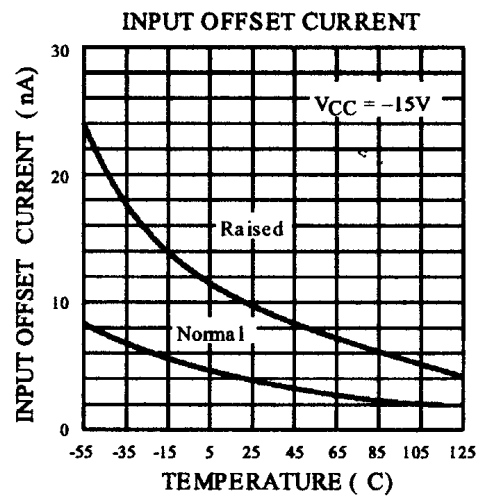
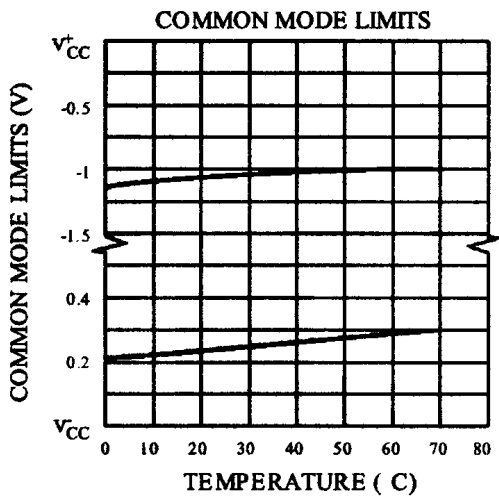
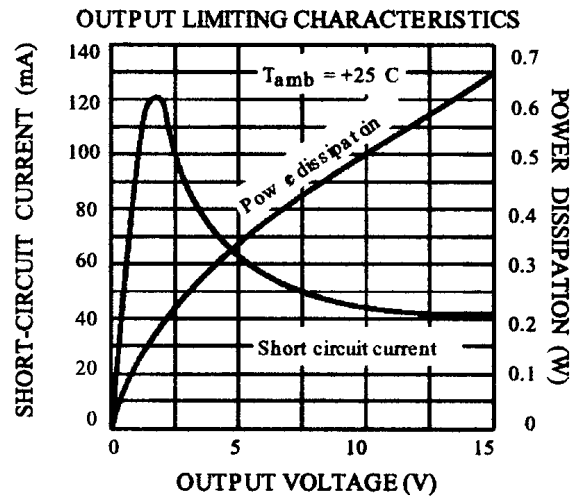
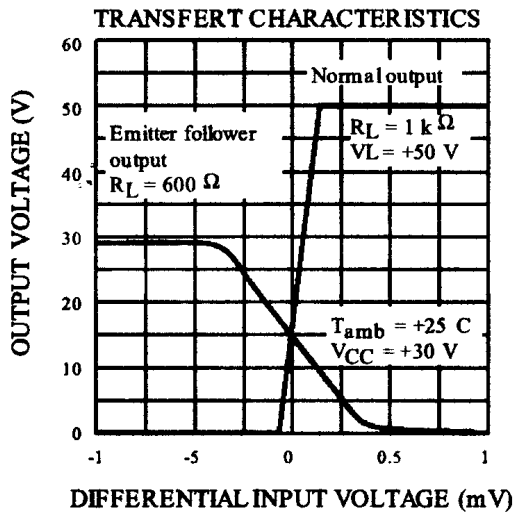
3 Electrical characteristics

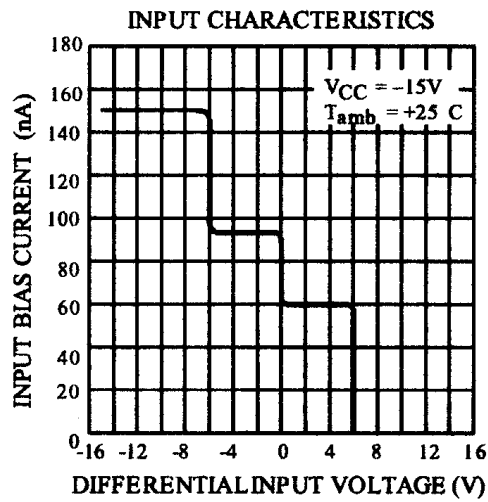
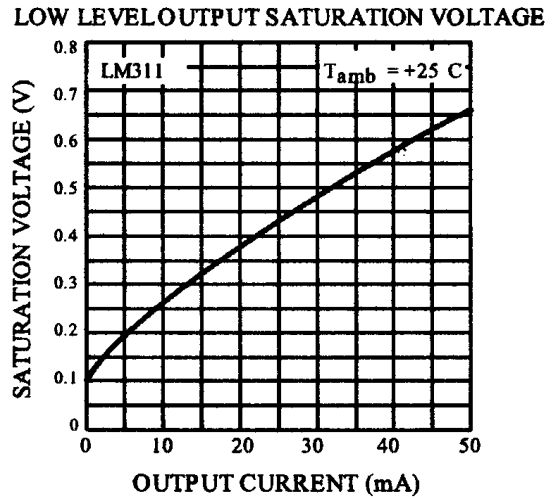
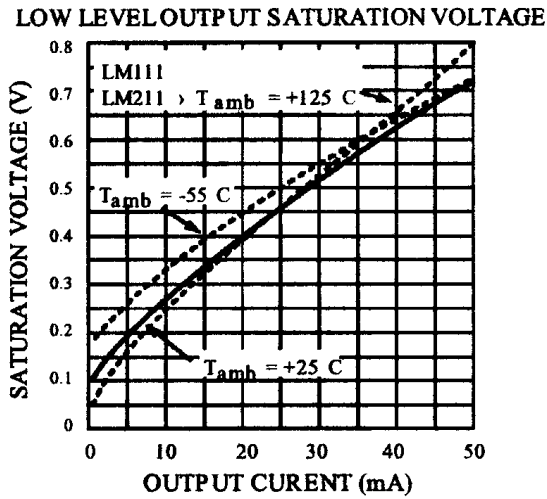
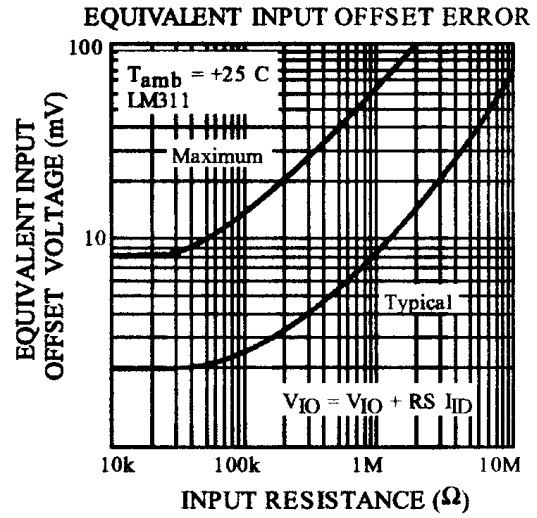
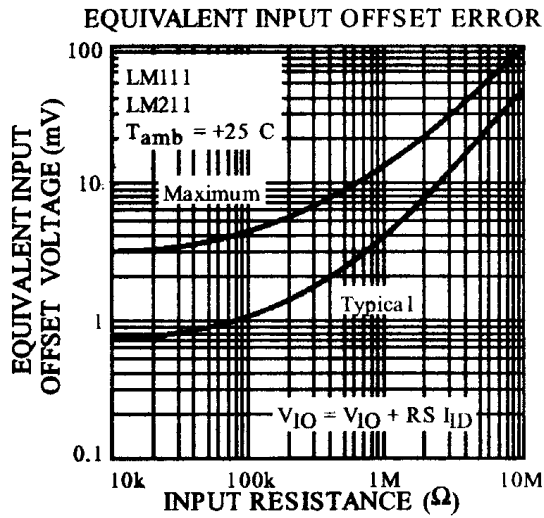
Table 4. $V_{CC+} = \pm 15\text{ V}$, $T_{amb} = +25\text{ }^{\circ}\text{C}$ (unless otherwise specified)

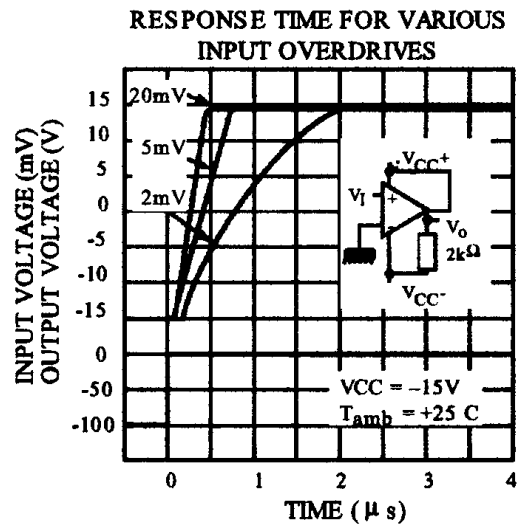
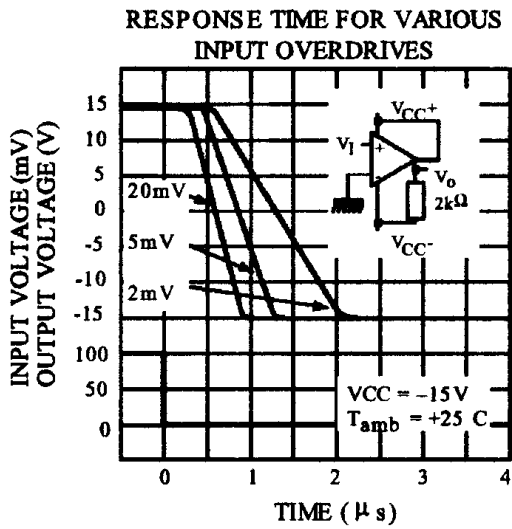
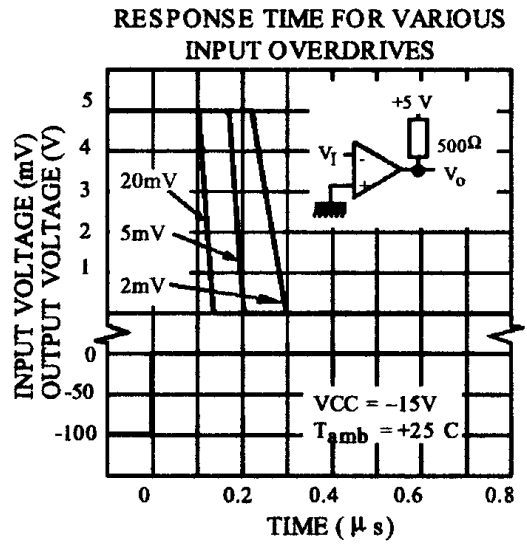
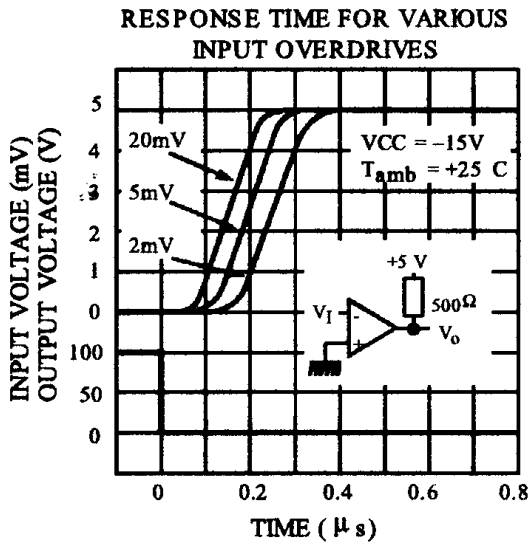
Symbol	Parameter	Conditions	LM211			LM311			Unit
			Min.	Typ.	Max.	Min.	Typ.	Max.	
V_{io}	Input offset voltage ⁽¹⁾	$R_S \leq 50\text{k}\Omega$ $T_{amb} = +25^{\circ}\text{C}$ $T_{min} \leq T_{amb} \leq T_{max}$		0.7	3 4		2	7.5 10	mV
I_{io}	Input offset current ⁽¹⁾	$T_{amb} = +25^{\circ}\text{C}$ $T_{min} \leq T_{amb} \leq T_{max}$		4	10 20		6	50 70	nA
I_{ib}	Input bias current ⁽¹⁾	$T_{amb} = +25^{\circ}\text{C}$ $T_{min} \leq T_{amb} \leq T_{max}$		60	100 150		100	250 300	nA
A_{vd}	Large signal voltage gain		40	200		40	200		V/mV
I_{CC+} I_{CC-}	Supply currents	Positive Negative		5.1 4.1	6 5		5.1 4.1	7.5 5	mA
V_{icm}	Input common mode voltage range	$T_{min} \leq T_{amb} \leq T_{max}$	-14.5	+13.8 -14.7	+13	-14.5	+13.8 -14.7	+13	V
V_{OL}	Low level output voltage	$T_{amb} = +25^{\circ}\text{C}$, $I_O = 50\text{mA}$, $V_i \leq -5\text{mV}$		0.75	1.5				V
		$T_{amb} = +25^{\circ}\text{C}$, $I_O = 50\text{mA}$, $V_i \leq -10\text{mV}$				0.75	1.5		
		$T_{min} \leq T_{amb} \leq T_{max}$ $V_{CC+} \geq +4.5\text{V}$, $V_{CC-} = 0$ $I_O = 8\text{mA}$, $V_i \leq -6\text{mV}$		0.23	0.4				
		$T_{min} \leq T_{amb} \leq T_{max}$ $V_{CC+} \geq +4.5\text{V}$, $V_{CC-} = 0$ $I_O = 8\text{mA}$, $V_i \leq -10\text{mV}$					0.23	0.4	
I_{OH}	High level output current	$T_{amb} = +25^{\circ}\text{C}$ $V_i \geq +5\text{mV}$, $V_O = +35\text{V}$		0.2	10				nA
		$T_{amb} = +25^{\circ}\text{C}$ $V_i \geq +10\text{mV}$, $V_O = +35\text{V}$					0.2	50	nA
		$T_{min} \leq T_{amb} \leq T_{max}$ $V_i \geq +5\text{mV}$, $V_O = +35\text{V}$		0.1	0.5				μA
I_{strobe}	Strobe current			3			3		mA
t_{re}	Response time ⁽²⁾			200			200		ns

1. The offset voltage, offset current and bias current specifications apply for any supply voltage from a single +5 V supply up to $\pm 15\text{ V}$ supplies. The offset voltages and offset currents given are the maximum values required to drive the output down to +1 V or up to +14 V with a 1 mA load current. Thus, these parameters define an error band and take into account the worst-case of voltage gain and input impedance.

2. The response time specified is for a 100 mV input step with 5 mV overdrive.



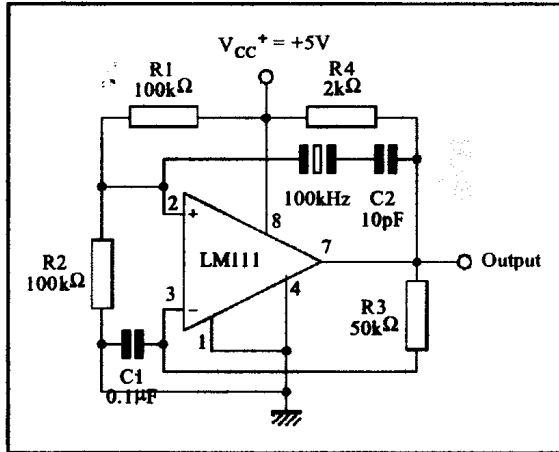




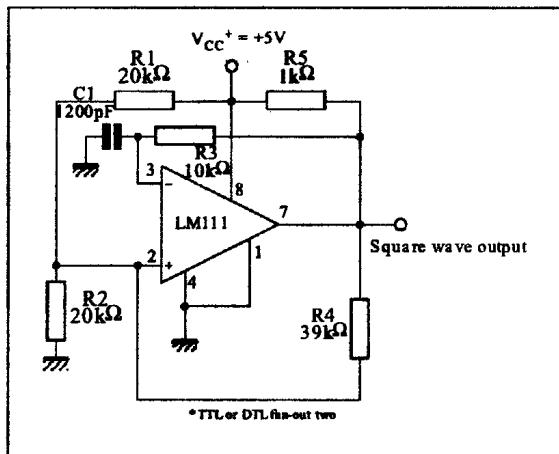
4 Typical application schematics

TYPICAL APPLICATIONS

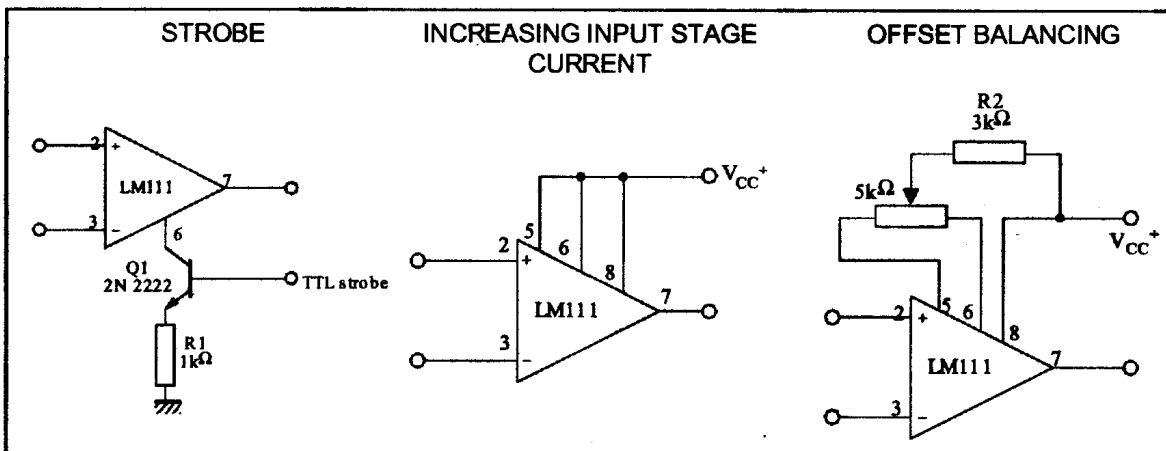
CRYSTAL OSCILLATOR



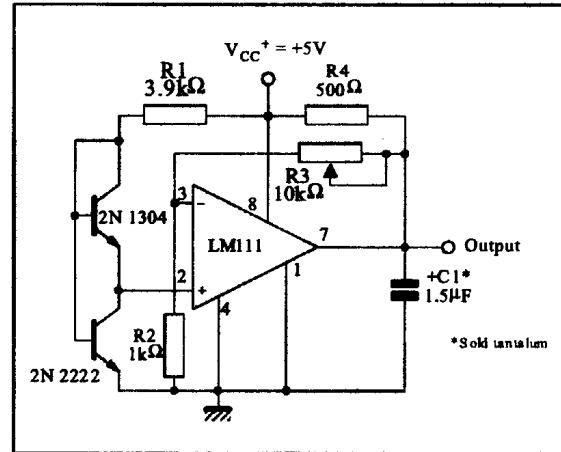
100kHz FREE RUNNING MULTIVIBRATOR



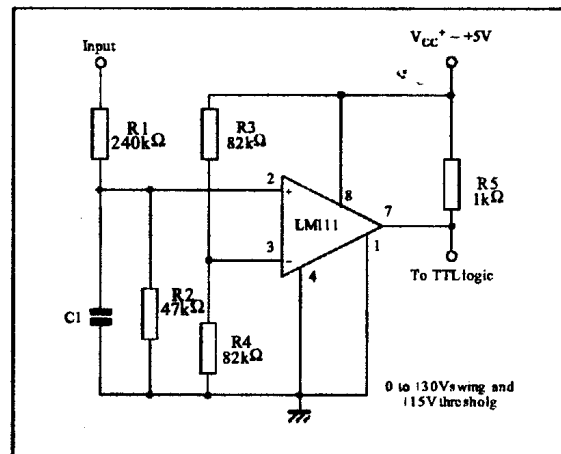
AUXILIARY CIRCUITS



LOW VOLTAGE ADJUSTABLE REFERENCE SUPPLY



TTL INTERFACE WITH HIGH LEVEL LOGIC



5 Package mechanical data

In order to meet environmental requirements, ST offers these devices in different grades of ECOPACK packages, depending on their level of environmental compliance. ECOPACK specifications, grade definitions and product status are available at: www.st.com. ECOPACK is an ST trademark.

5.1 SO-8 package information

Figure 2. SO-8 package outline

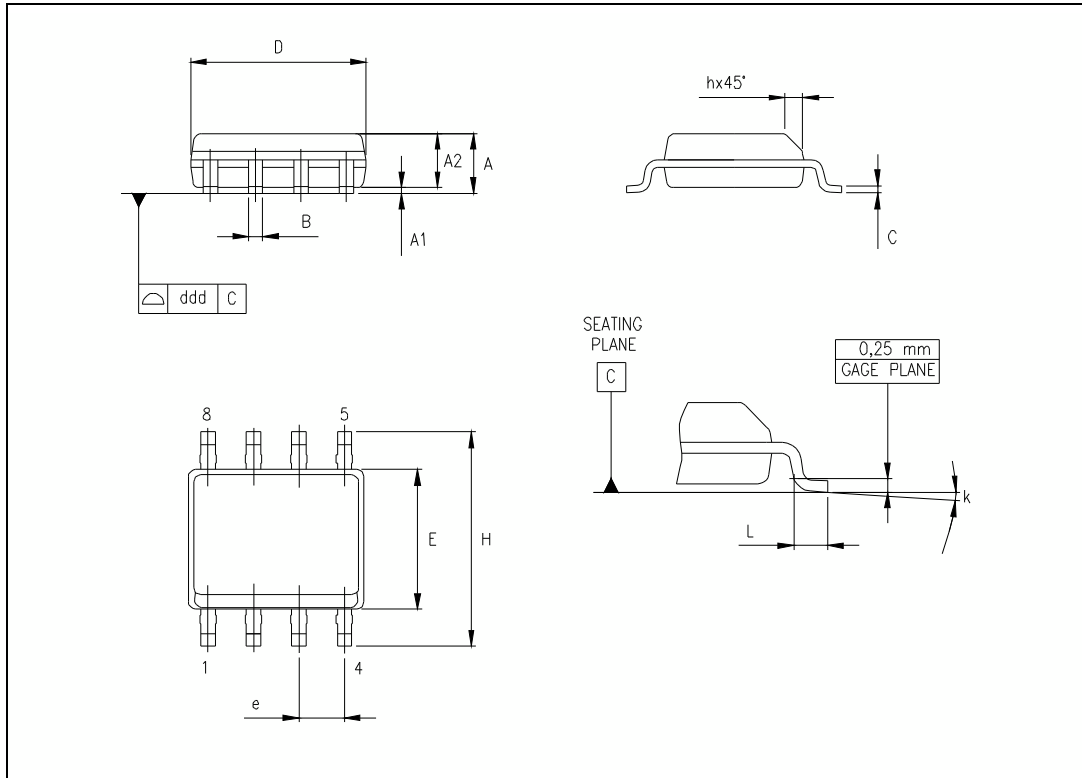


Table 5. SO-8 package mechanical data

Symbol	Dimensions					
	Millimeters			Inches		
	Min.	Typ.	Max.	Min.	Typ.	Max.
A	1.35	-	1.75	0.053	-	0.069
A1	0.10	-	0.25	0.004	-	0.010
A2	1.10	-	1.65	0.043	-	0.065
B	0.33	-	0.51	0.013	-	0.020
C	0.19	-	0.25	0.007	-	0.010
D	4.80	-	5.00	0.189	-	0.197
E	3.80	-	4.00	0.150	-	0.157
e	-	1.27	-	-	0.050	-
H	5.80	-	6.20	0.228	-	0.244
h	0.25	-	0.50	0.010	-	0.020
L	0.40	-	1.27	0.016	-	0.050
k	8° (max.)			8° (max.)		
ddd	-	-	0.10	-	-	0.004

6 Revision history

Table 6. Document revision history

Date	Revision	Changes
01-Jun-2002	1	Initial release.
02-Jan-2006	2	Table 3. on page 5 updated. Formatting changes throughout.
01-Mar-2006	3	Pin connections updated on page 1.
26-Sep-2006	4	Corrected description under title on cover page.
08-Jun-2022	5	Added ESD parameter in Table 2 .

IMPORTANT NOTICE – PLEASE READ CAREFULLY

STMicroelectronics NV and its subsidiaries (“ST”) reserve the right to make changes, corrections, enhancements, modifications, and improvements to ST products and/or to this document at any time without notice. Purchasers should obtain the latest relevant information on ST products before placing orders. ST products are sold pursuant to ST’s terms and conditions of sale in place at the time of order acknowledgement.

Purchasers are solely responsible for the choice, selection, and use of ST products and ST assumes no liability for application assistance or the design of Purchasers’ products.

No license, express or implied, to any intellectual property right is granted by ST herein.

Resale of ST products with provisions different from the information set forth herein shall void any warranty granted by ST for such product.

ST and the ST logo are trademarks of ST. For additional information about ST trademarks, please refer to www.st.com/trademarks. All other product or service names are the property of their respective owners.

Information in this document supersedes and replaces information previously supplied in any prior versions of this document.

© 2022 STMicroelectronics – All rights reserved