

Product Specification
Contents

| No | ITEM | Page |
|----|---|------|
| | COVER | 1 |
| | CONTENTS | 2 |
| | RECORD OF REVISIONS | 3 |
| 1 | GENERAL DESCRIPTION | 4 |
| 2 | ABSOLUTE MAXIMUM RATINGS | 5 |
| 3 | ELECTRICAL SPECIFICATIONS | 6 |
| | 1) ELECTRICAL CHARACTERISTICS | 6 |
| | 2) INTERFACE CONNECTIONS | 8 |
| | 3) LVDS characteristics | 11 |
| | 4) SIGNAL TIMING SPECIFICATIONS | 14 |
| | 5) SIGNAL TIMING WAVEFORMS | 15 |
| | 6) COLOR INPUT DATA REFERNECE | 16 |
| | 7) POWER SEQUENCE | 17 |
| | 8) POWER DIP CONDITION | 18 |
| 4 | OPTICAL SPECIFICATIONS | 19 |
| 5 | MECHANICAL CHARACTERISTICS | 24 |
| 6 | RELIABILITY | 27 |
| 7 | INTERNATIONAL STANDARDS | 28 |
| | 1) SAFETY | 28 |
| | 2) EMC | 28 |
| 8 | PACKING | 29 |
| | 1) DESIGNATION OF LOT MARK | 29 |
| | 2) PACKING FORM | 29 |
| 9 | PRECAUTIONS | 30 |
| | 1) MOUNTING PRECAUTIONS | 30 |
| | 2) OPERATING PRECAUTIONS | 30 |
| | 3) ELECTROSTATIC DISCHARGE CONTROL | 31 |
| | 4) PRECAUTIONS FOR STRONG LIGHT EXPOSURE | 31 |
| | 5) STROAGE | 31 |
| | 6) HANDLING PRECAUTIONS FOR PROTECTION FILM | 31 |

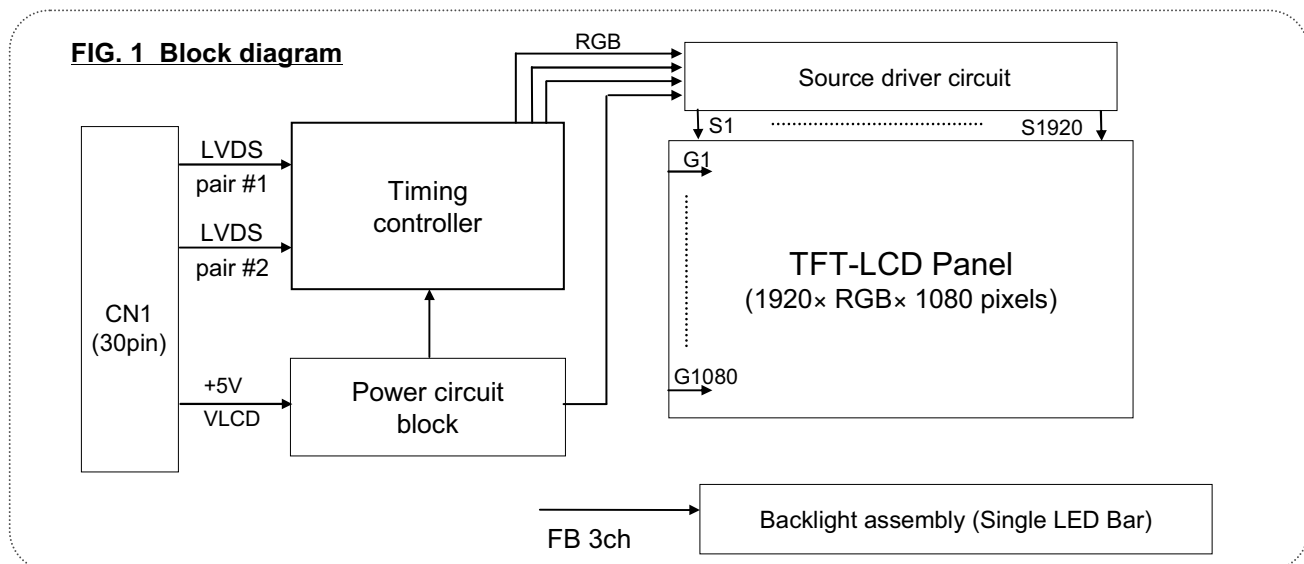
Product Specification
Record of revisions

| Revision No | Revision Date | Page | Description |
|-------------|----------------|-------|--|
| 0.1 | May, 12, 2009 | - | First Draft, Preliminary Specifications |
| 0.2 | Jun., 08, 2009 | 4 | Power Consumption update |
| | | 6 | Power Consumption update |
| | | 7 | Power Consumption update |
| | | 10 | LED Connector change |
| | | 14 | Timing Table change |
| | | 24,25 | Mechanic Drawing update |
| 0.3 | Ju.l, 06, 2009 | 6 | Power Supply Input Current, Power Consumption Update |
| | | 9 | 30 PIN CNT Change |
| | | 10 | LED connector pin configuration change |
| 0.4 | Ju.l, 14, 2009 | 24,25 | Mechanic Drawing Change |
| 0.5 | Aug., 24, 2009 | 4,23 | Weight Update |
| 0.6 | Sep.,10,2009 | 19 | Color Cordinates Update |
| 0.7 | Sep.,16,2009 | 23 | Max Weight change |
| | | 28 | Box Size Update |
| 0.8 | Oct., 09,2009 | 4,7 | LED String Voltage & power consumption |
| | | 24,25 | Mechanic Drawing Update |
| | | 27 | International Standards Update |
| 0.9 | Nov.,16,2009 | 4,7 | LED String Voltage & power consumption |
| 1.0 | Jan.,26,2010 | 19,23 | Update Optical characteristics (TCO5.0) |
| | | 25,26 | Mechanic Drawing Update |
| | | | Final Specifications |
| | | | |
| | | | |
| | | | |
| | | | |
| | | | |
| | | | |

Product Specification

1. General description

LM230WF5-TLA3 is a Color Active Matrix Liquid Crystal Display Light Emitting Diode (White LED) backlight system without LED driver. The matrix employs a-Si Thin Film Transistor as the active element. It is a transmissive type display operating in the normally white mode. It has a 23 inch diagonally measured active display area with FHD resolution (1080 vertical by 1920 horizontal pixel array) Each pixel is divided into Red, Green and Blue sub-pixels or dots which are arranged in vertical stripes. Gray scale or the brightness of the sub-pixel color is determined with a 8-bit gray scale signal for each dot, thus, presenting a palette of more than 16,7M colors with Advanced-FRC(Frame Rate Control). It has been designed to apply the interface method that enables low power, high speed, low EMI. FPD Link or compatible must be used as a LVDS(Low Voltage Differential Signaling) chip. It is intended to support applications where thin thickness, wide viewing angle, low power are critical factors and graphic displays are important. In combination with the vertical arrangement of the sub-pixels, the LM230WF5-TLA3 characteristics provide an excellent flat panel display for office automation products such as monitors.



General features

| | |
|------------------------|--|
| Active screen size | 23 inches(58.42cm) diagonal(Aspect ratio 16:9) |
| Outline Dimension | 533.2(H) x 312.0(V) x 11.5(D) mm(Typ.) |
| Pixel Pitch | 0.265mm x 0.265mm |
| Pixel Format | 1920 horizontal By 1080 vertical Pixels. RGB stripe arrangement |
| Interface | LVDS 2Port |
| Color depth | 16.7M colors |
| Luminance, white | 250 cd/m ² (Center 1Point, typ) |
| Viewing Angle (CR>10) | R/L 170(Typ.), U/D 160(Typ.) |
| Power Consumption | Total 18.95 W (Typ.), (4.5 W@V _{LCD} , 14.45 W@W/O_Driver) |
| Weight | 1900 g (Typ.) |
| Display operating mode | Transmissive mode, normally White |
| Surface treatments | Hard coating (3H), Anti-glare treatment of the front polarizer |

Product Specification

2. Absolute maximum ratings

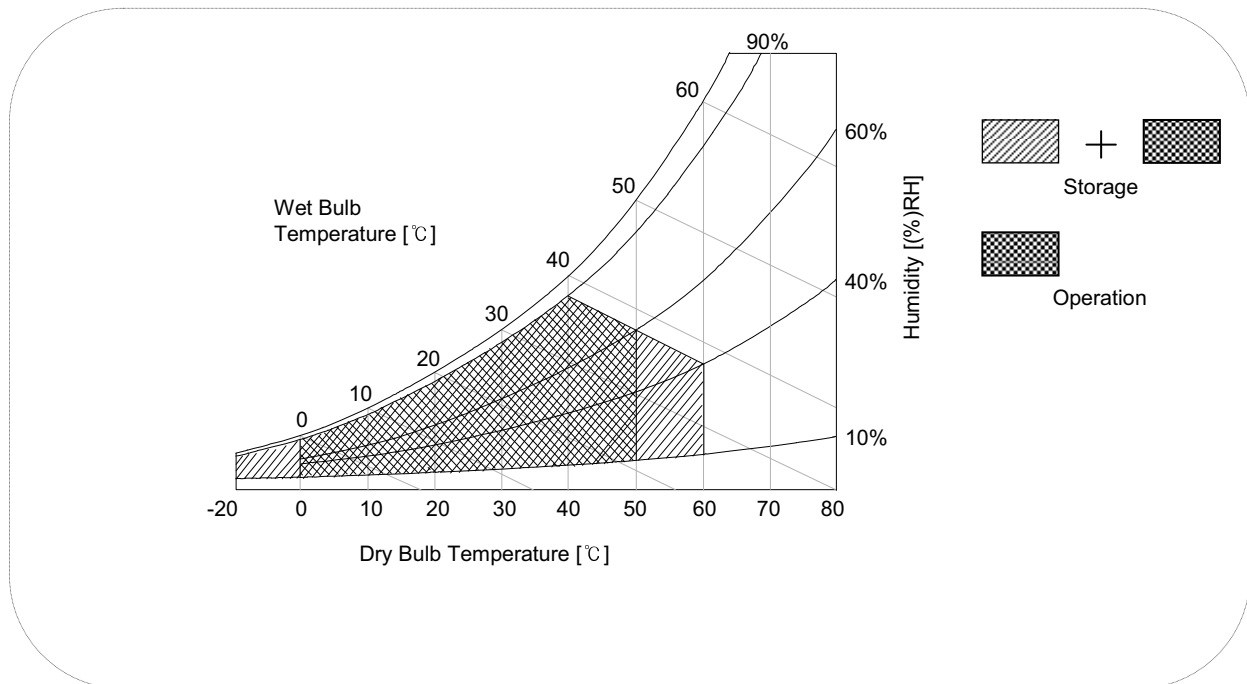
The following are maximum values which, if exceeded, may cause faulty operation or damage to the unit.

Table 1. Absolute maximum ratings

| Parameter | Symbol | Values | | Units | Notes |
|----------------------------|-----------|--------|------|-------|---------|
| | | Min | Max | | |
| Power Supply Input Voltage | V_{LCD} | -0.3 | +6.0 | Vdc | At 25°C |
| Operating Temperature | T_{OP} | 0 | 50 | °C | 1 |
| Storage Temperature | T_{ST} | -20 | 60 | °C | |
| Operating Ambient Humidity | H_{OP} | 10 | 90 | %RH | |
| Storage Humidity | H_{ST} | 10 | 90 | %RH | |

Note : 1. Temperature and relative humidity range are shown in the figure below.
 Wet bulb temperature should be 39 °C Max, and no condensation of water.

FIG. 2 Temperature and relative humidity



Product Specification

3. Electrical specifications

3-1. Electrical characteristics

It requires two power inputs. One is employed to power the LCD electronics and to drive the TFT array and liquid crystal. The second input power for the CCFL/Backlight, is typically generated by an inverter. The inverter is an external unit to the LCDs.

Table 2. Electrical characteristics

| Parameter | Symbol | Values | | | Unit | Notes |
|-------------------------------|------------------|--------|------|------|------|-------|
| | | Min | Typ | Max | | |
| MODULE : | | | | | | |
| Power Supply Input Voltage | V_{LCD} | 4.5 | 5.0 | 5.5 | Vdc | |
| Permissive Power Input Ripple | V_{LCD} | - | - | 0.4 | V | 3 |
| Power Supply Input Current | $I_{LCD-MOSAIC}$ | - | 900 | 1100 | mA | 1 |
| | $I_{LCD-BLACK}$ | - | 1100 | 1250 | mA | 2 |
| Power Consumption | P_{LCD} | - | 4.5 | 5.5 | Watt | 1 |
| Inrush current | I_{RUSH} | - | - | 3.0 | A | 3 |

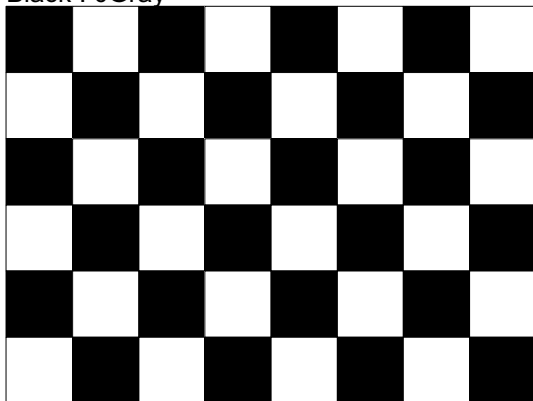
Note :

1. The specified current and power consumption are under the $V_{LCD}=5.0V$, $25 \pm 2^{\circ}C$, $f_v=60Hz$ condition whereas mosaic pattern(8 x 6) is displayed and f_v is the frame frequency.
2. The current is specified at the maximum current pattern.
3. Permissive power ripple should be measured under $VCC=5.0V$, $25^{\circ}C$, f_v (frame frequency)=75Hz condition and At that time, we recommend the bandwidth configuration of oscilloscope is to be under 20MHz.
4. The duration of rush current is about 2ms and rising time of power Input is $500us \pm 20\%$.

FIG.3 pattern for Electrical characteristics

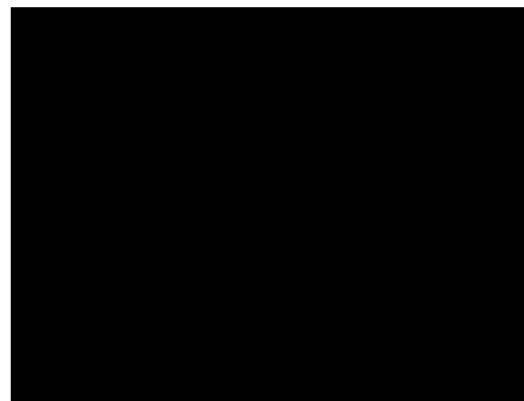
power consumption measurement

White : 255Gray
Black : 0Gray



Mosaic Pattern(8 x 6)

power input ripple



Full Black Pattern

Product Specification

Table 3. LED bar Electrical characteristics

| Parameter | Symbol | Condition | Values | | | Unit | Notes |
|--------------------|---------|-----------|--------|-------|-------|------|-------|
| | | | Min. | Typ. | Max. | | |
| LED : | | | | | | | 1,7 |
| LED String Current | Is_peak | | - | 110 | 130 | mA | 2,7 |
| LED String Voltage | Vs | | 41 | 43.8 | 46.6 | V | 3,7 |
| Power Consumption | PBar | | 13.53 | 14.45 | 15.38 | Watt | 4,6,7 |
| LED Life Time | LED_LT | | 30,000 | - | - | Hrs | 5,7 |

LED driver design guide

: The design of the LED driver must have specifications for the LED in LCD Assembly.

The performance of the LED in LCM, for example life time or brightness, is extremely influenced by the characteristics of the LED driver.

So all the parameters of an LED driver should be carefully designed and output current should be Constant current control.

Please control feedback current of each string individually to compensate the current variation among the strings of LEDs.

When you design or order the LED driver, please make sure unwanted lighting caused by the mismatch of the LED and the LED driver (no lighting, flicker, etc) never occurs.

When you confirm it, the LCD module should be operated in the same condition as installed in your instrument.

1. Specified values are for a single LED bar.
2. The specified current is input LED chip 100% duty current.
3. The specified voltage is input LED string and Bar voltage at typical 110 mA 100% duty current.
4. The specified power consumption is input LED bar power consumption at typical 110 mA 100% duty current.
5. The life is determined as the time at which luminance of the LED is 50% compared to that of initial value at the typical LED current on condition of continuous operating at $25 \pm 2^\circ\text{C}$.
6. The LED bar power consumption shown above does not include loss of external driver.
The used LED bar current is the LED typical current.
Min Power Consumption is calculated with $P_{\text{Bar}} = V_{\text{s}}(\text{Min.}) \times I_{\text{s}}(\text{Typ.}) \times N_{\text{string}}$
Max Power Consumption is calculated with $P_{\text{Bar}} = V_{\text{bar}}(\text{Max.}) \times I_{\text{s}}(\text{Typ.}) \times N_{\text{string}}$
7. LED operating DC Forward Current and Junction Temperature must not exceed LED Max Ratings at $25 \pm 2^\circ\text{C}$.

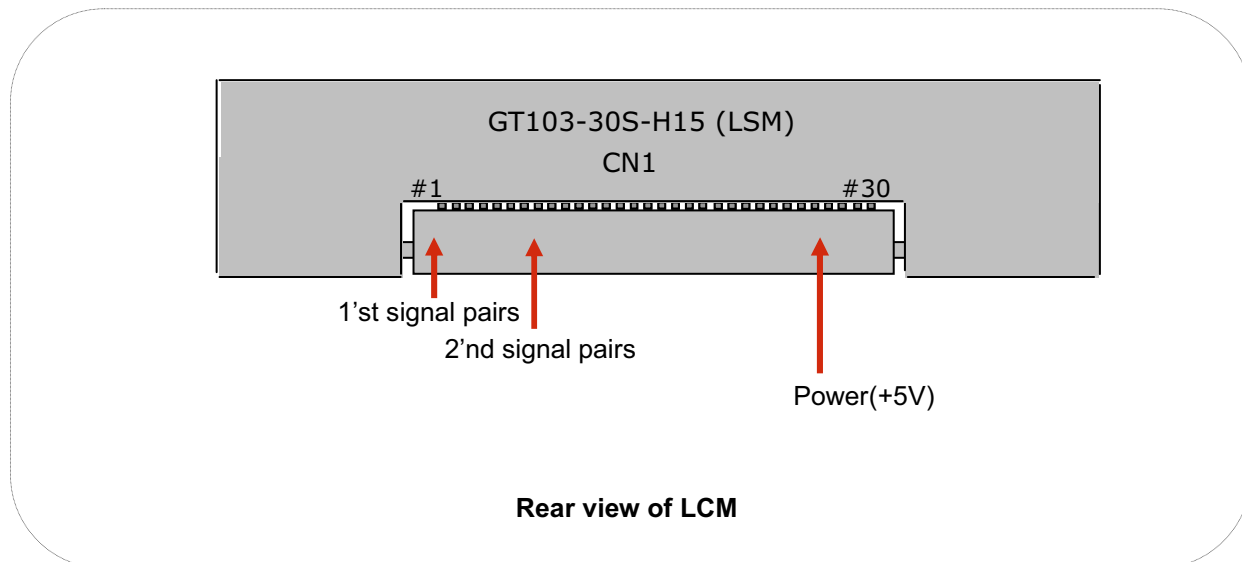
Product Specification
3-2. Interface connections

LCD connector(CN1) : GT103-30S-H15 (LSM)

Mating connector : FI-X30H and FI-X30HL (JAE) or Equivalent

Table 4. Module connector(CN1) pin configuration

| Pin No | Symbol | Description | |
|--------|------------------|--|---------------------|
| 1 | RX00- | Minus signal of 1st channel 0 (LVDS) | } First Pixel data |
| 2 | RX00+ | Plus signal of 1st channel 0 (LVDS) | |
| 3 | RX01- | Minus signal of 1st channel 1 (LVDS) | |
| 4 | RX01+ | Plus signal of 1st channel 1 (LVDS) | |
| 5 | RX02- | Minus signal of 1st channel 2 (LVDS) | |
| 6 | RX02+ | Plus signal of 1st channel 2 (LVDS) | |
| 7 | GND | Ground | |
| 8 | RXOC- | Minus signal of 1st clock channel (LVDS) | } Second Pixel data |
| 9 | RXOC+ | Plus signal of 1st clock channel (LVDS) | |
| 10 | RX03- | Minus signal of 1st channel 3 (LVDS) | |
| 11 | RX03+ | Plus signal of 1st channel 3 (LVDS) | |
| 12 | RXE0- | Minus signal of 2nd channel 0 (LVDS) | |
| 13 | RXE0+ | Plus signal of 2nd channel 0 (LVDS) | |
| 14 | GND | Ground | |
| 15 | RXE1- | Minus signal of 2nd channel 1 (LVDS) | } Second Pixel data |
| 16 | RXE1+ | Plus signal of 2nd channel 1 (LVDS) | |
| 17 | GND | Ground | |
| 18 | RXE2- | Minus signal of 2nd channel 2 (LVDS) | |
| 19 | RXE2+ | Plus signal of 2nd channel 2 (LVDS) | |
| 20 | RXEC- | Minus signal of 2nd clock channel (LVDS) | |
| 21 | RXEC+ | Plus signal of 2nd clock channel (LVDS) | |
| 22 | RXE3- | Minus signal of 2nd channel 3 (LVDS) | } Second Pixel data |
| 23 | RXE3+ | Plus signal of 2nd channel 3 (LVDS) | |
| 24 | GND | Ground | |
| 25 | NC | No Connection (For LCD internal use only.) | |
| 26 | NC | No Connection (For LCD internal use only.) | |
| 27 | NC | No Connection (For LCD internal use only.) | |
| 28 | V _{LCD} | Power Supply (5.0V) | |
| 29 | V _{LCD} | Power Supply (5.0V) | |
| 30 | V _{LCD} | Power Supply (5.0V) | |

Product Specification**FIG. 4 Connector diagram****Note:**

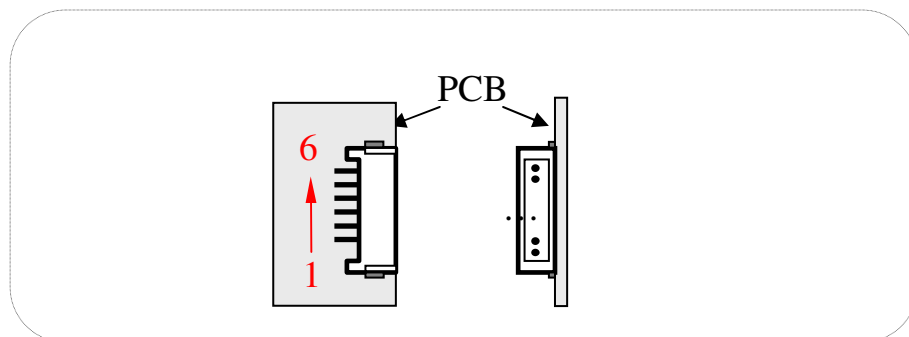
1. NC: No Connection.
2. All GND(ground) pins should be connected together and to Vss which should also be connected to the LCD's metal frame.
3. All V_{LCD} (power input) pins should be connected together.
4. Input Level of LVDS signal is based on the IEA 664 Standard.

Product Specification

The LED interface connector is a model 05010HR-06D manufactured by YEONHO.
 The mating connector is a FFC/FPC specified in LED interface connector specification.
 The pin configuration for the connector is shown in the table below.

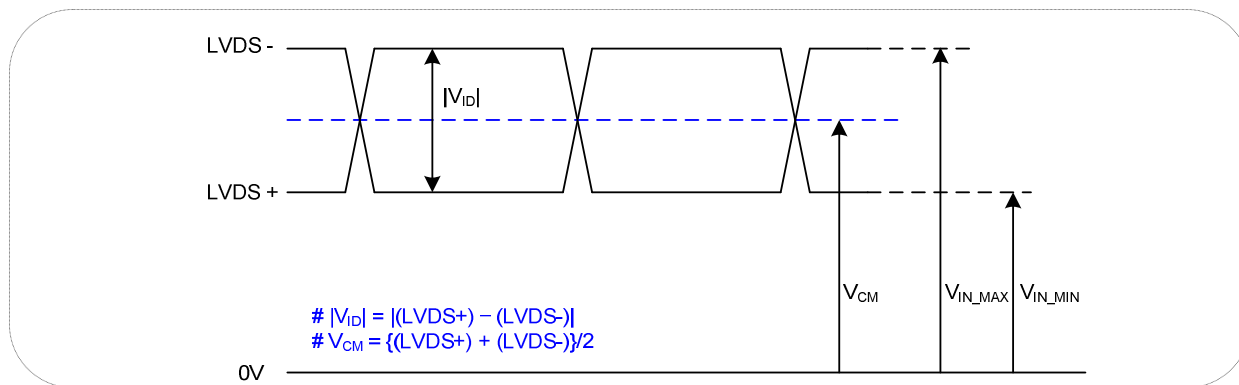
Table 5. LED connector pin configuration

| Pin | Symbol | Description | Notes |
|-----|--------|----------------------------|-------|
| 1 | FB1 | Channel1 Current Feed Back | |
| 2 | FB2 | Channel2 Current Feed Back | |
| 3 | Vled1 | LED Power Supply | |
| 4 | Vled1 | LED Power Supply | |
| 5 | NC | NC | |
| 6 | FB3 | Channel3 Current Feed Back | |

FIG. 5 Backlight connector view


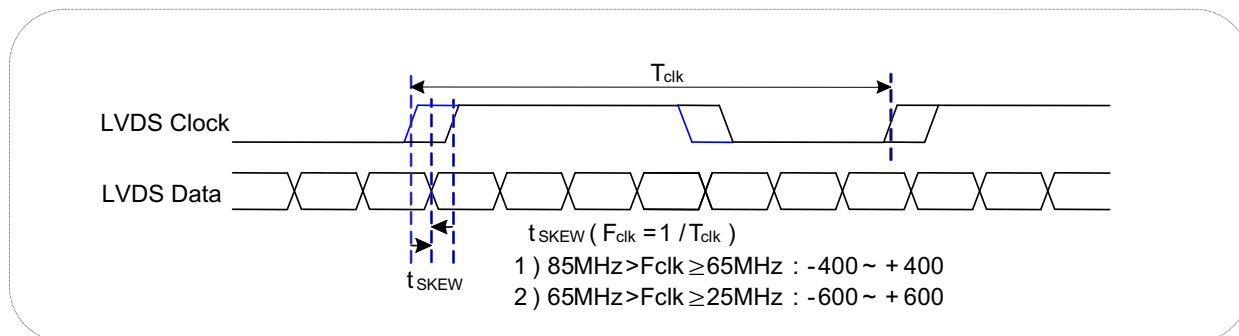
Product Specification
3-3. LVDS characteristics

3-3-1. DC Specification



| Description | Symbol | Min | Max | Unit | Notes |
|---------------------------|------------|-----|-----|------|-------|
| LVDS Differential Voltage | $ V_{ID} $ | 200 | 600 | mV | - |
| LVDS Common mode Voltage | V_{CM} | 0.6 | 1.8 | V | - |
| LVDS Input Voltage Range | V_{IN} | 0.3 | 2.1 | V | - |

3-3-2. AC Specification



| Description | Symbol | Min | Max | Unit | Notes |
|---|----------------|------|------|-----------|------------------------------|
| LVDS Clock to Data Skew Margin | t_{SKEW} | -400 | +400 | ps | $85MHz > F_{clk} \geq 65MHz$ |
| | t_{SKEW} | -600 | +600 | ps | $65MHz > F_{clk} \geq 25MHz$ |
| LVDS Clock to Clock Skew Margin (Even to Odd) | t_{SKEW_EO} | -1/7 | +1/7 | T_{clk} | - |

Product Specification
Table 6. Required signal assignment for Flat Link(NS:DS90CF383) transmitter

| Pin # | Pin Name | Require Signal | Pin # | Pin Name | Require Signal |
|-------|----------|----------------------------|-------|-------------------------|--|
| 1 | VCC | Power Supply for TTL Input | 29 | GND | Ground pin for TTL |
| 2 | D5 | TTL Input (R7) | 30 | D26 | TTL Input (DE) |
| 3 | D6 | TTL Input (R5) | 31 | T _x CLKIN | TTL Level clock Input |
| 4 | D7 | TTL Input (G0) | 32 | PWR DWN | Power Down Input |
| 5 | GND | Ground pin for TTL | 33 | PLL GND | Ground pin for PLL |
| 6 | D8 | TTL Input (G1) | 34 | PLL VCC | Power Supply for PLL |
| 7 | D9 | TTL Input (G2) | 35 | PLL GND | Ground pin for PLL |
| 8 | D10 | TTL Input (G6) | 36 | LVDS GND | Ground pin for LVDS |
| 9 | VCC | Power Supply for TTL Input | 37 | T _x OUT3 + | Positive LVDS differential data output 3 |
| 10 | D11 | TTL Input (G7) | 38 | T _x OUT3 - | Negative LVDS differential data output 3 |
| 11 | D12 | TTL Input (G3) | 39 | T _x CLKOUT + | Positive LVDS differential clock output |
| 12 | D13 | TTL Input (G4) | 40 | T _x CLKOUT - | Negative LVDS differential clock output |
| 13 | GND | Ground pin for TTL | 41 | T _x OUT2 + | Positive LVDS differential data output 2 |
| 14 | D14 | TTL Input (G5) | 42 | T _x OUT2 - | Negative LVDS differential data output 2 |
| 15 | D15 | TTL Input (B0) | 43 | LVDS GND | Ground pin for LVDS |
| 16 | D16 | TTL Input (B6) | 44 | LVDS VCC | Power Supply for LVDS |
| 17 | VCC | Power Supply for TTL Input | 45 | T _x OUT1 + | Positive LVDS differential data output 1 |
| 18 | D17 | TTL Input (B7) | 46 | T _x OUT1 - | Negative LVDS differential data output 1 |
| 19 | D18 | TTL Input (B1) | 47 | T _x OUT0 + | Positive LVDS differential data output 0 |
| 20 | D19 | TTL Input (B2) | 48 | T _x OUT0 - | Negative LVDS differential data output 0 |
| 21 | GND | Ground pin for TTL Input | 49 | LVDS GND | Ground pin for LVDS |
| 22 | D20 | TTL Input (B3) | 50 | D27 | TTL Input (R6) |
| 23 | D21 | TTL Input (B4) | 51 | D0 | TTL Input (R0) |
| 24 | D22 | TTL Input (B5) | 52 | D1 | TTL Input (R1) |
| 25 | D23 | TTL Input (RSVD) | 53 | GND | Ground pin for TTL |
| 26 | VCC | Power Supply for TTL Input | 54 | D2 | TTL Input (R2) |
| 27 | D24 | TTL Input (HSYNC) | 55 | D3 | TTL Input (R3) |
| 28 | D25 | TTL Input (VSYNC) | 56 | D4 | TTL Input (R4) |

Notes : 1. Refer to LVDS Transmitter Data Sheet for detail descriptions.
 2. 7 means MSB and 0 means LSB at R,G,B pixel data

Product Specification
3-4. Signal timing specifications

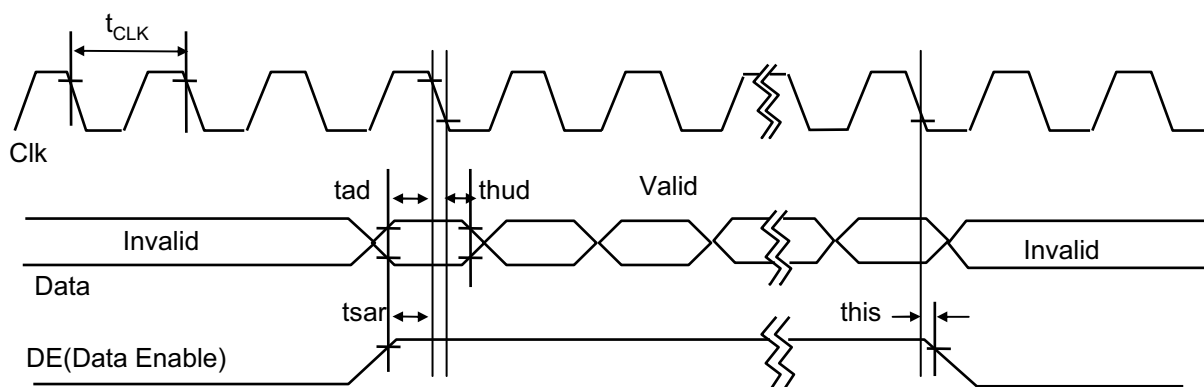
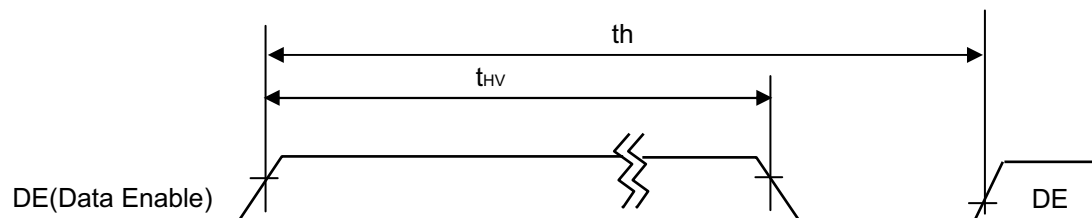
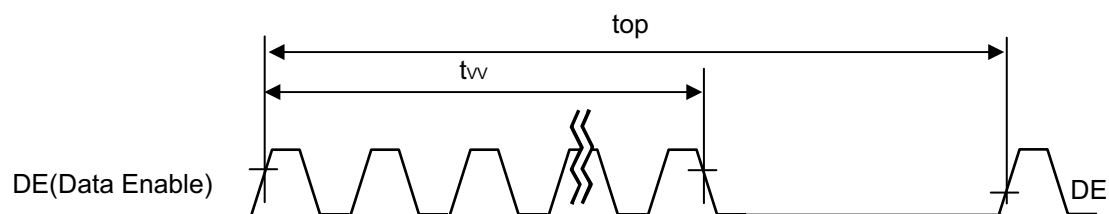
This is the signal timing required at the input of the User connector. All of the interface signal timing should be satisfied with the following specifications for it's proper operation.

Table 7. Timing table

| Parameter | | Symbol | Min. | Typ. | Max. | Unit | Notes |
|---------------------|------------------|------------------|-------|-------|------|------------------|---------------------------------|
| D _{CLK} | Period | t _{CLK} | 11.43 | 13.89 | 16.7 | ns | Pixel frequency : Typ.144MHz |
| | Frequency | f _{CLK} | 60 | 72 | 87.5 | MHz | |
| Horizontal | H Period Total | t _{HP} | 1000 | 1088 | 1120 | t _{CLK} | |
| | Horizontal Valid | t _{HV} | 960 | 960 | 960 | | |
| | Hsync Frequency | f _H | 64 | 66 | 83 | kHz | |
| Vertical | V Period Total | t _{VP} | 1090 | 1100 | 1160 | t _{HP} | |
| | Vertical Valid | t _{VV} | 1080 | 1080 | 1080 | | |
| | Vsync Frequency | f _V | 50 | 60 | 75 | Hz | |
| DE (Data Enable) | DE Setup Time | t _{SI} | 4 | - | - | ns | For D _{CLK} |
| | DE Hold Time | t _{HI} | 4 | - | - | | |
| Data | Data Setup Time | t _{SD} | 4 | - | - | ns | For D _{CLK} |
| | Data Hold Time | t _{HD} | 4 | - | - | | |

Note:

1. DE Only mode operation. The input of Hsync & Vsync signal does not have an effect on LCD normal operation.
2. The performance of the electro-optical characteristics may be influenced by variance of the vertical refresh rates.
3. Horizontal period should be even.

Product Specification
3-5. Signal timing waveforms
1. D_{CLK}, DE, DATA waveforms

2. Horizontal waveform

3. Vertical waveform




LM230WF5
Liquid Crystal Display

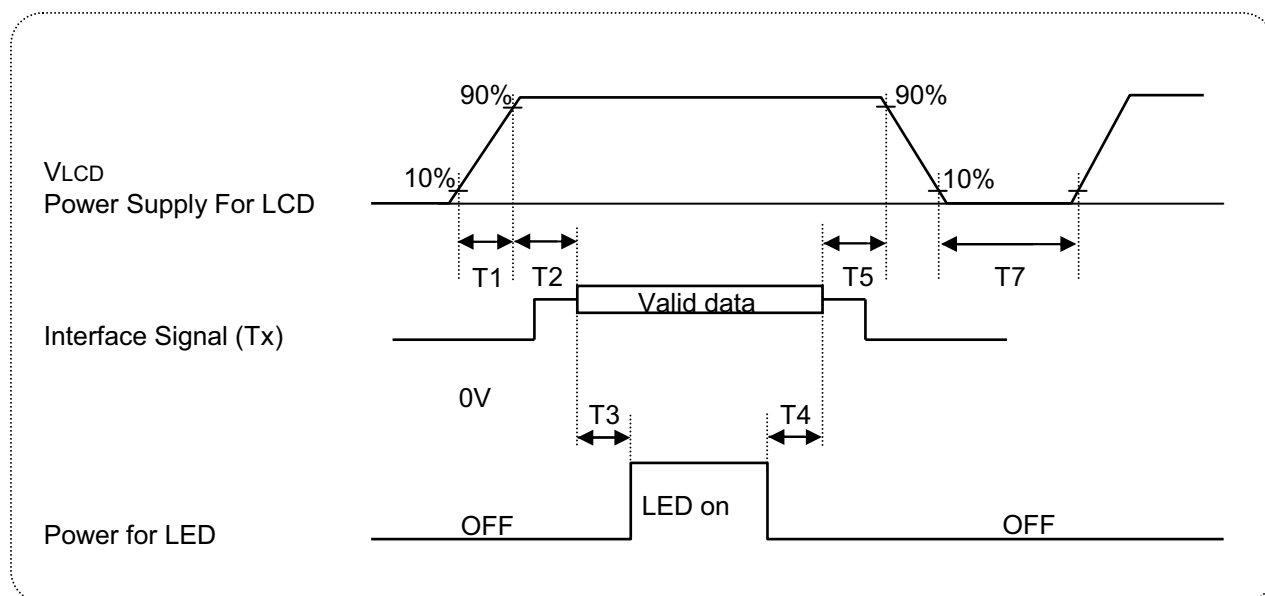
Product Specification

3-6. Color input data reference

The brightness of each primary color (red,green and blue) is based on the 8bit gray scale data input for the color ; the higher the binary input, the brighter the color. The table below provides a reference for color versus data input.

Table 8. Color data reference

| Color | | Input Color Data | | | | | | | | | | | | | | | | | | | | | | | |
|-------------|------------------|------------------|----|----|----|-----|----|----|----|-------|----|----|----|-----|----|----|----|------|----|----|----|-----|----|----|----|
| | | Red | | | | | | | | Green | | | | | | | | Blue | | | | | | | |
| | | MSB | | | | LSB | | | | MSB | | | | LSB | | | | MSB | | | | LSB | | | |
| | | R7 | R6 | R5 | R4 | R3 | R2 | R1 | R0 | G7 | G6 | G5 | G4 | G3 | G2 | G1 | G0 | B7 | B6 | B5 | B4 | B3 | B2 | B1 | B0 |
| Basic Color | Black | 0 | 0 | 0 | 0 | 0 | 0 | 0 | 0 | 0 | 0 | 0 | 0 | 0 | 0 | 0 | 0 | 0 | 0 | 0 | 0 | 0 | 0 | 0 | 0 |
| | Red (255) | 1 | 1 | 1 | 1 | 1 | 1 | 1 | 1 | 0 | 0 | 0 | 0 | 0 | 0 | 0 | 0 | 0 | 0 | 0 | 0 | 0 | 0 | 0 | 0 |
| | Green (255) | 0 | 0 | 0 | 0 | 0 | 0 | 0 | 0 | 1 | 1 | 1 | 1 | 1 | 1 | 1 | 1 | 0 | 0 | 0 | 0 | 0 | 0 | 0 | 0 |
| | Blue (255) | 0 | 0 | 0 | 0 | 0 | 0 | 0 | 0 | 0 | 0 | 0 | 0 | 0 | 0 | 0 | 0 | 1 | 1 | 1 | 1 | 1 | 1 | 1 | 1 |
| | Cyan | 0 | 0 | 0 | 0 | 0 | 0 | 0 | 0 | 1 | 1 | 1 | 1 | 1 | 1 | 1 | 1 | 1 | 1 | 1 | 1 | 1 | 1 | 1 | 1 |
| | Magenta | 1 | 1 | 1 | 1 | 1 | 1 | 1 | 1 | 0 | 0 | 0 | 0 | 0 | 0 | 0 | 0 | 1 | 1 | 1 | 1 | 1 | 1 | 1 | 1 |
| | Yellow | 1 | 1 | 1 | 1 | 1 | 1 | 1 | 1 | 1 | 1 | 1 | 1 | 1 | 1 | 1 | 1 | 0 | 0 | 0 | 0 | 0 | 0 | 0 | 0 |
| | White | 1 | 1 | 1 | 1 | 1 | 1 | 1 | 1 | 1 | 1 | 1 | 1 | 1 | 1 | 1 | 1 | 1 | 1 | 1 | 1 | 1 | 1 | 1 | 1 |
| Red | Red(000) Dark | 0 | 0 | 0 | 0 | 0 | 0 | 0 | 0 | 0 | 0 | 0 | 0 | 0 | 0 | 0 | 0 | 0 | 0 | 0 | 0 | 0 | 0 | 0 | 0 |
| | Red(001) | 0 | 0 | 0 | 0 | 0 | 0 | 0 | 1 | 0 | 0 | 0 | 0 | 0 | 0 | 0 | 0 | 0 | 0 | 0 | 0 | 0 | 0 | 0 | 0 |
| | Red(002) | 0 | 0 | 0 | 0 | 0 | 0 | 1 | 0 | 0 | 0 | 0 | 0 | 0 | 0 | 0 | 0 | 0 | 0 | 0 | 0 | 0 | 0 | 0 | 0 |
| | ----- | - | - | - | - | - | - | - | - | - | - | - | - | - | - | - | - | - | - | - | - | - | - | - | - |
| | ----- | - | - | - | - | - | - | - | - | - | - | - | - | - | - | - | - | - | - | - | - | - | - | - | - |
| | Red(253) | 1 | 1 | 1 | 1 | 1 | 1 | 0 | 1 | 0 | 0 | 0 | 0 | 0 | 0 | 0 | 0 | 0 | 0 | 0 | 0 | 0 | 0 | 0 | 0 |
| | Red(254) | 1 | 1 | 1 | 1 | 1 | 1 | 1 | 0 | 0 | 0 | 0 | 0 | 0 | 0 | 0 | 0 | 0 | 0 | 0 | 0 | 0 | 0 | 0 | 0 |
| | Red(255) Bright | 1 | 1 | 1 | 1 | 1 | 1 | 1 | 1 | 0 | 0 | 0 | 0 | 0 | 0 | 0 | 0 | 0 | 0 | 0 | 0 | 0 | 0 | 0 | 0 |
| Green | Green(000) Dark | 0 | 0 | 0 | 0 | 0 | 0 | 0 | 0 | 0 | 0 | 0 | 0 | 0 | 0 | 0 | 0 | 0 | 0 | 0 | 0 | 0 | 0 | 0 | 0 |
| | Green(001) | 0 | 0 | 0 | 0 | 0 | 0 | 0 | 0 | 0 | 0 | 0 | 0 | 0 | 0 | 1 | 0 | 0 | 0 | 0 | 0 | 0 | 0 | 0 | 0 |
| | Green(002) | 0 | 0 | 0 | 0 | 0 | 0 | 0 | 0 | 0 | 0 | 0 | 0 | 0 | 1 | 0 | 0 | 0 | 0 | 0 | 0 | 0 | 0 | 0 | 0 |
| | ----- | - | - | - | - | - | - | - | - | - | - | - | - | - | - | - | - | - | - | - | - | - | - | - | - |
| | ----- | - | - | - | - | - | - | - | - | - | - | - | - | - | - | - | - | - | - | - | - | - | - | - | - |
| | Green(253) | 0 | 0 | 0 | 0 | 0 | 0 | 0 | 1 | 1 | 1 | 1 | 1 | 1 | 1 | 0 | 1 | 0 | 0 | 0 | 0 | 0 | 0 | 0 | 0 |
| | Green(254) | 0 | 0 | 0 | 0 | 0 | 0 | 0 | 1 | 1 | 1 | 1 | 1 | 1 | 1 | 1 | 0 | 0 | 0 | 0 | 0 | 0 | 0 | 0 | 0 |
| | Green(255)Bright | 0 | 0 | 0 | 0 | 0 | 0 | 0 | 1 | 1 | 1 | 1 | 1 | 1 | 1 | 1 | 1 | 0 | 0 | 0 | 0 | 0 | 0 | 0 | 0 |
| Blue | Blue(000) Dark | 0 | 0 | 0 | 0 | 0 | 0 | 0 | 0 | 0 | 0 | 0 | 0 | 0 | 0 | 0 | 0 | 0 | 0 | 0 | 0 | 0 | 0 | 0 | 0 |
| | Blue(001) | 0 | 0 | 0 | 0 | 0 | 0 | 0 | 0 | 0 | 0 | 0 | 0 | 0 | 0 | 0 | 0 | 0 | 0 | 0 | 0 | 0 | 0 | 0 | 1 |
| | Blue(002) | 0 | 0 | 0 | 0 | 0 | 0 | 0 | 0 | 0 | 0 | 0 | 0 | 0 | 0 | 0 | 0 | 0 | 0 | 0 | 0 | 0 | 0 | 1 | 0 |
| | ----- | - | - | - | - | - | - | - | - | - | - | - | - | - | - | - | - | - | - | - | - | - | - | - | - |
| | ----- | - | - | - | - | - | - | - | - | - | - | - | - | - | - | - | - | - | - | - | - | - | - | - | - |
| | Blue(253) | 0 | 0 | 0 | 0 | 0 | 0 | 0 | 0 | 0 | 0 | 0 | 0 | 0 | 0 | 0 | 1 | 1 | 1 | 1 | 1 | 1 | 1 | 0 | 1 |
| | Blue(254) | 0 | 0 | 0 | 0 | 0 | 0 | 0 | 0 | 0 | 0 | 0 | 0 | 0 | 0 | 0 | 1 | 1 | 1 | 1 | 1 | 1 | 1 | 1 | 0 |
| | Blue(255) Bright | 0 | 0 | 0 | 0 | 0 | 0 | 0 | 0 | 0 | 0 | 0 | 0 | 0 | 0 | 0 | 1 | 1 | 1 | 1 | 1 | 1 | 1 | 1 | 1 |

Product Specification
3-7. Power sequence

Table 9. Power sequence

| Parameter | Values | | | Units |
|-----------|--------|-----|-----|-------|
| | Min | Typ | Max | |
| T1 | 0.5 | - | 10 | ms |
| T2 | 0.01 | - | 50 | ms |
| T3 | 500 | - | - | ms |
| T4 | 200 | - | - | ms |
| T5 | 0.01 | - | 50 | ms |
| T7 | 1 | - | - | s |

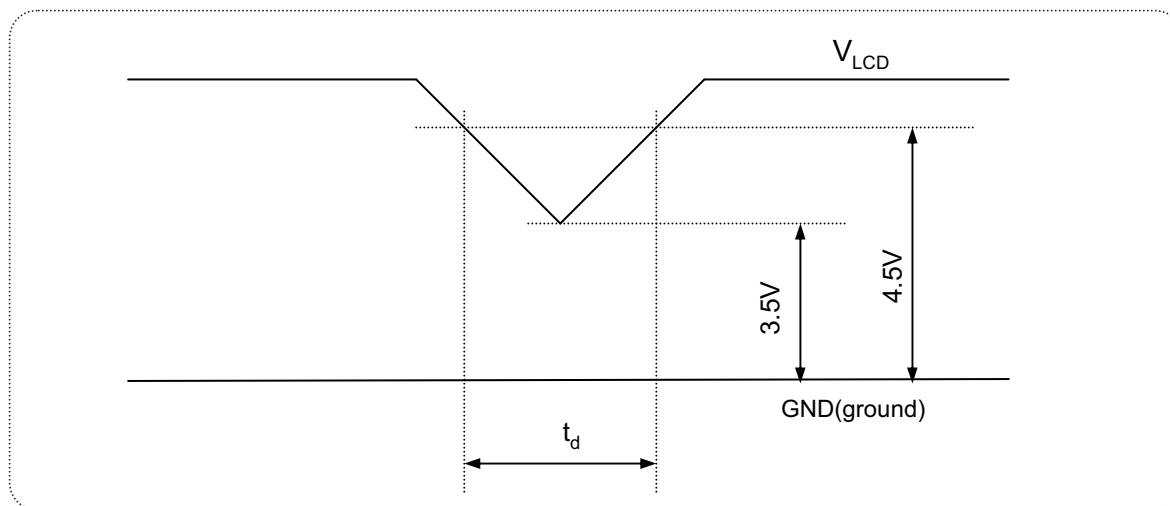
Notes :

1. Please V_{LCD} power on only after connecting interface cable to LCD.
2. Please avoid floating state of interface signal at invalid period.
3. When the interface signal is invalid, be sure to pull down the power supply for LCD V_{LCD} to 0V.
4. LED power must be turn on after power supply for LCD an interface signal are valid.

Product Specification

3-8. V_{LCD} Power dip condition

FIG. 6 Power dip condition



1) Dip condition

$$3.5V \leq V_{LCD} < 4.5V, t_d \leq 20ms$$

2) $V_{LCD} < 3.5V$ V_{LCD} -dip conditions should also follow the Power On/Off conditions for supply voltage.

Product Specification

4. Optical specification

Optical characteristics are determined after the unit has been 'ON' for 30 minutes in a dark environment at 25°C. The values specified are at an approximate distance 50cm from the LCD surface at a viewing angle of Φ and θ equal to 0°.

FIG. 7 presents additional information concerning the measurement equipment and method.

FIG. 7 Optical characteristic measurement equipment and method

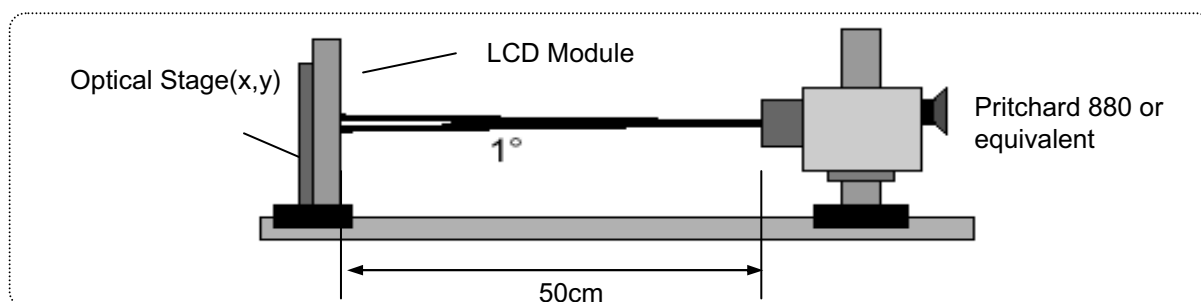


Table 10. Optical characteristics

Ta= 25°C, V_{LCD}=5.0V, fv=60Hz f_{CLK}=119MHz

| Parameter | Symbol | Values | | | Units | Notes | |
|--|-----------------------------------|-----------------|--------------|-------|-------------------|--------|---|
| | | Min | Typ | Max | | | |
| Contrast Ratio | CR | 700 | 1000 | - | | 1 | |
| Surface Luminance, white | L _{WH} | 200 | 250 | - | cd/m ² | 2 | |
| Luminance Variation | δ_{WHITE} 9P | 75 | | | % | 3 | |
| Response Time | Rise Time | Tr _R | - | 1.3 | 2.6 | ms | 4 |
| | Decay Time | Tr _D | - | 3.7 | 7.4 | ms | 4 |
| Color Coordinates [CIE1931] | RED | Rx | Typ -0.03 | 0.628 | Typ +0.03 | | |
| | | Ry | | 0.348 | | | |
| | GREEN | Gx | | 0.345 | | | |
| | | Gy | | 0.615 | | | |
| | BLUE | Bx | | 0.153 | | | |
| | | By | | 0.057 | | | |
| | WHITE | Wx | | 0.313 | | | |
| Wy | 0.329 | | | | | | |
| Viewing Angle (CR>5) | | | | | | | |
| | x axis, right($\phi=0^\circ$) | θ_r | 75 | 88 | | Degree | 5 |
| | x axis, left ($\phi=180^\circ$) | θ_l | 75 | 88 | | | |
| | y axis, up ($\phi=90^\circ$) | θ_u | 70 | 85 | | | |
| | y axis, down ($\phi=270^\circ$) | θ_d | 70 | 85 | | | |
| Viewing Angle (CR>10) | | | | | | | |
| | x axis, right($\phi=0^\circ$) | θ_r | 70 | 85 | | Degree | 5 |
| | x axis, left ($\phi=180^\circ$) | θ_l | 70 | 85 | | | |
| | y axis, up ($\phi=90^\circ$) | θ_u | 60 | 75 | | | |
| | y axis, down ($\phi=270^\circ$) | θ_d | 70 | 85 | | | |
| Crosstalk | | | | 1.5 | % | 6 | |
| Luminance uniformity - Angular dependence (TCO 5.0) | LR | - | - | 1.73 | | 7 | |

Product Specification

Notes :

1. Contrast ratio(CR) is defined mathematically as :It is measured at center point(1)

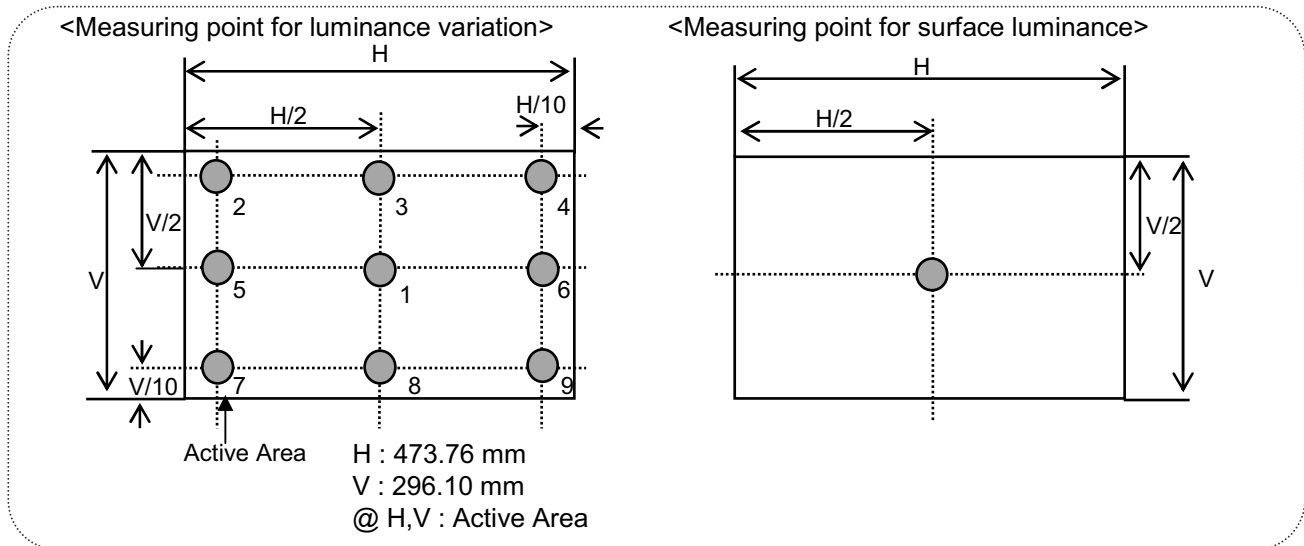
$$\text{Contrast ratio} = \frac{\text{Surface luminance with all white pixels}}{\text{Surface luminance with all black pixels}}$$

2. Surface luminance is the luminance value at center 1 point(1) across the LCD surface 50cm from the surface with all pixels displaying white. For more information see FIG 8.

3. The variation in surface luminance , δ_{WHITE} is defined as

$$\delta_{\text{WHITE}} = \frac{\text{Minimum (P1,P2P9)}}{\text{Maximum (P1,P2P9)}} * 100$$

For more information see Figure 8.

FIG. 8 Luminance measuring point


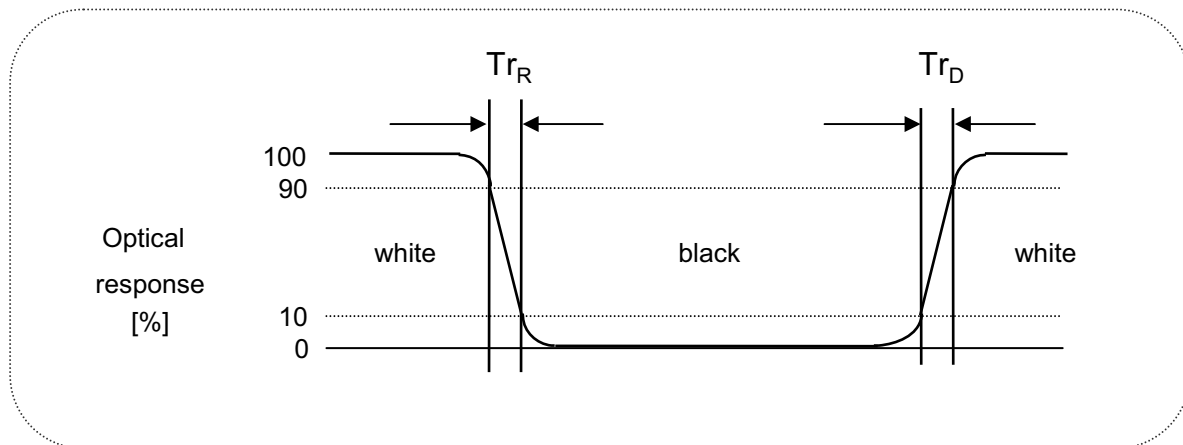
Product Specification

Notes :

4. Response time is the time required for the display to transition from black to white (Decay Time, Tr_D) and from white to black (Rise Time, Tr_R)
 The sampling rate is 2,500 sample/sec. For additional information see FIG. 9.

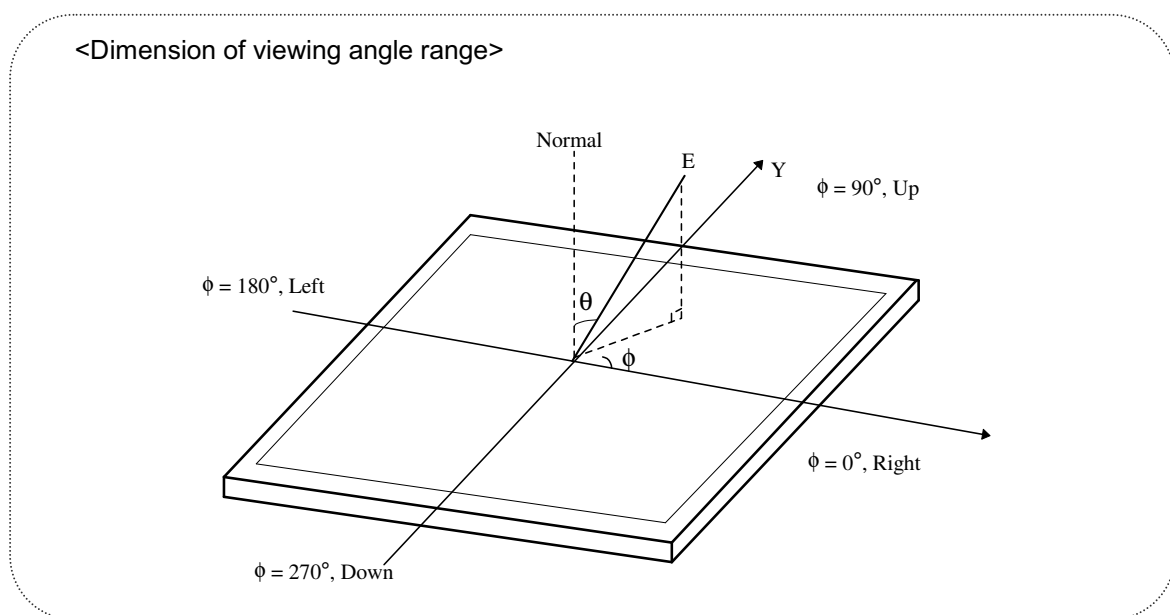
The response time is defined as the following figure and shall be measured by switching the input signal for each gray to gray.

FIG. 9 Response time



5. Viewing angle is the angle at which the contrast ratio is greater than 10 or 5. The angles are determined for the horizontal or x axis and the vertical or y axis with respect to the z axis which is normal to the LCD surface. For more information see FIG. 10 .

FIG. 10 Viewing angle

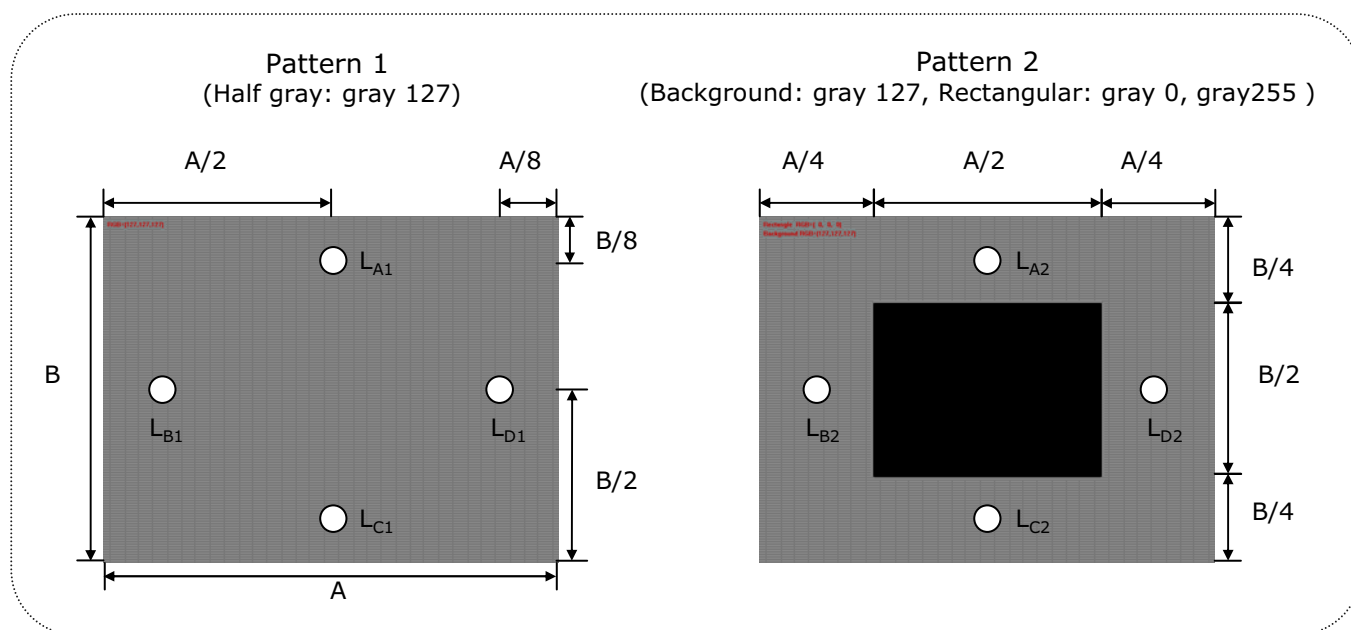


Product Specification

Notes :

6. The equation of crosstalk : $(|L_{A[or C]2} - L_{A[or C]1}| / L_{A[or C]1}) \times 100(\%)$ [Vertical],
 $(|L_{B[or D]2} - L_{B[or D]1}| / L_{B[or D]1}) \times 100(\%)$ [Horizontal]

FIG. 11 Crosstalk



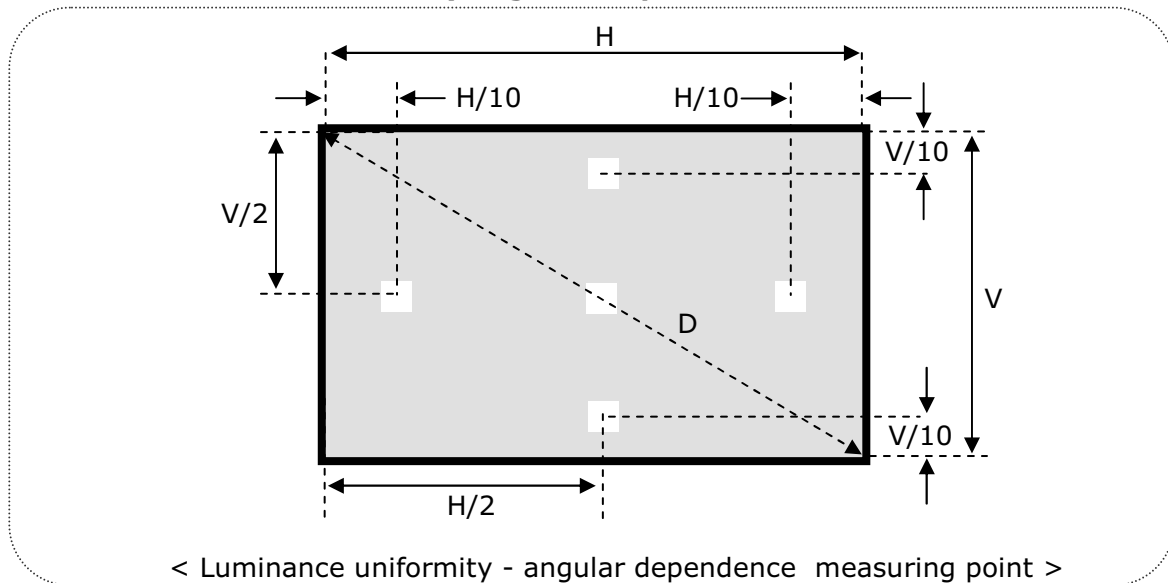
Product Specification

Notes :

7. Luminance Uniformity - angular – dependence (LR & TB)

TCO 5.0 Luminance uniformity – angular dependence, is the capacity of the FPD to maintain a certain luminance level independently of the viewing direction, The angular-dependent luminance uniformity is defined as the ratio of maximum luminance to minimum luminance in the specified measurement areas.

- Test pattern : Full white 4 ° × 4 ° square size, back ground shall be set to 80% image loading, RGB 204, 204, 204
- Test luminance : $\geq 150\text{cd/m}^2$
- Test point : 5-point
- Test distance : $D * 1.5 = 87.63\text{cm}$
- Test method : $L_R = ((L_{\text{max.}+30\text{deg.}} / L_{\text{min.}+30\text{deg.}}) + (L_{\text{max.}-30\text{deg.}} / L_{\text{min.}-30\text{deg.}})) / 2$
 $T_B = ((L_{\text{max.}+15\text{deg.}} / L_{\text{min.}+15\text{deg.}})$

FIG. 11 Luminance Uniformity angular dependence


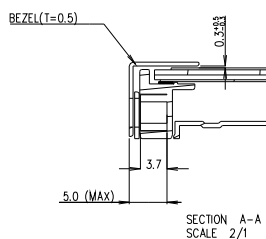
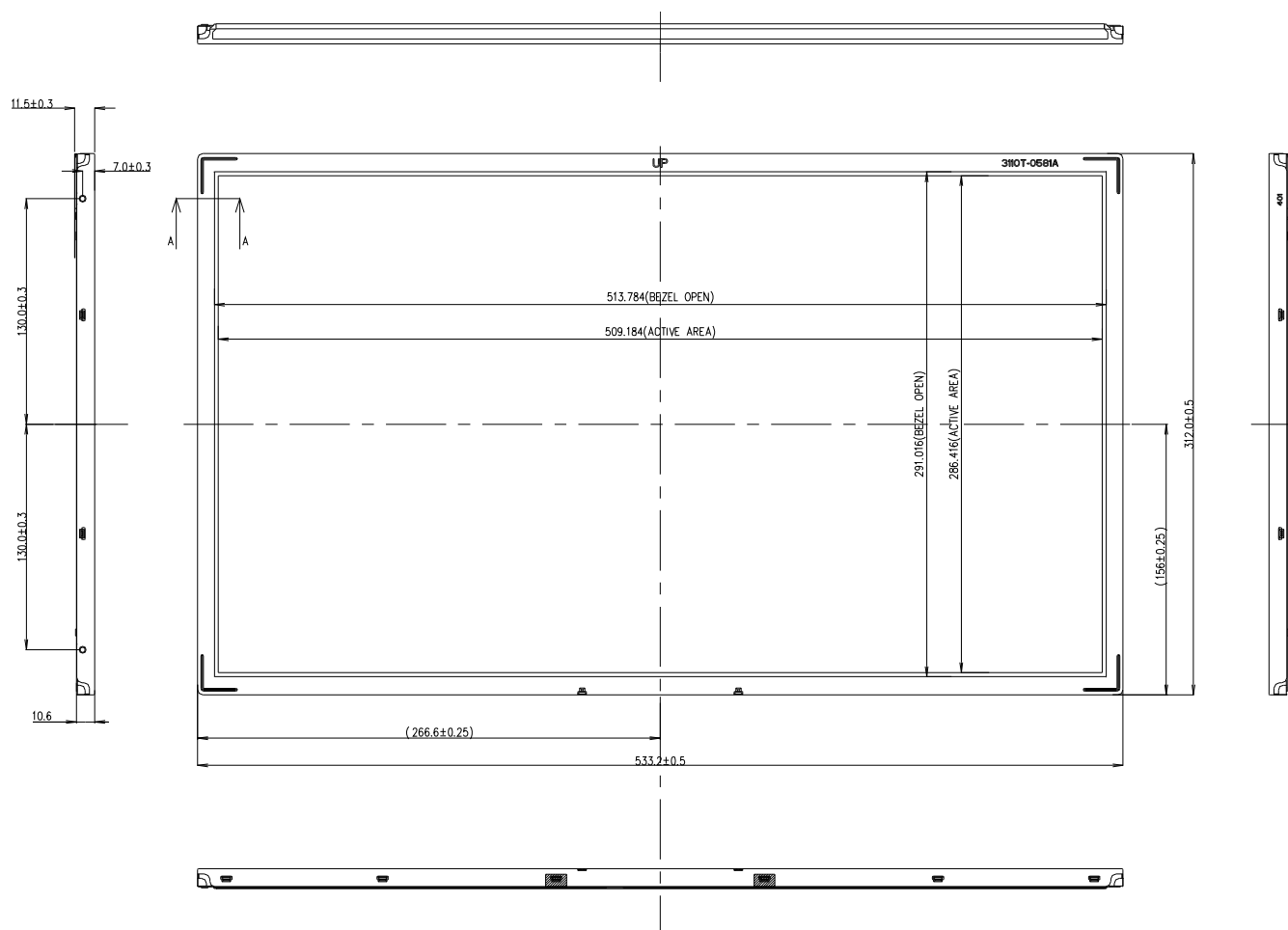
Product Specification
5. Mechanical characteristics

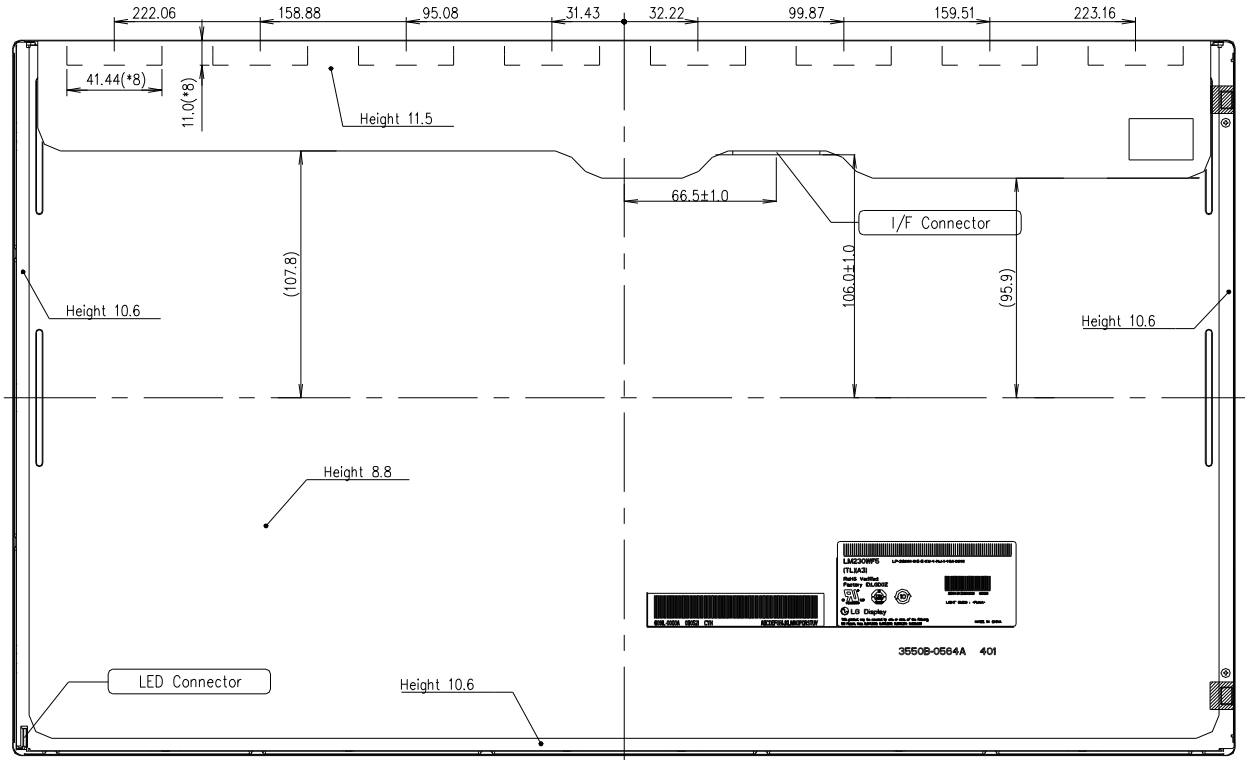
The contents provide general mechanical characteristics. In addition the figures in the next page are detailed mechanical drawing of the LCD.

Table 12. Mechanical characteristics

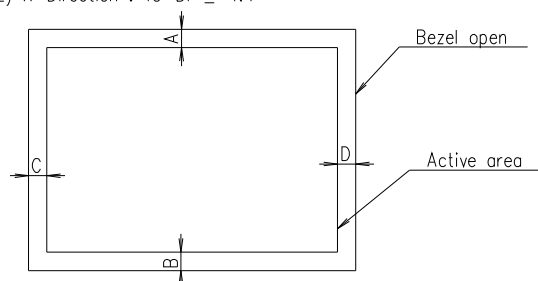
| | | |
|---------------------|---|------------------|
| Outline dimension | Horizontal | 533.2mm |
| | Vertical | 312.0mm |
| | Depth | 11.5 mm |
| Bezel area | Horizontal | 513.784mm |
| | Vertical | 291.016mm |
| Active display area | Horizontal | 509.184mm |
| | Vertical | 286.416mm |
| Weight | 1900 g (Typ.) 2100 g (Max.) | |
| Surface treatment | Hard coating(3H) Anti-glare treatment of the front polarizer | |

Notes : Please refer to a mechanic drawing in terms of tolerance at the next page.

Product Specification
< FRONT VIEW >


Product Specification
< REAR VIEW >

Notes

- Backlight has 1 LED PKG ASS'Y.
- I/F Connector Specification
 - GT103-30S-H15 (LSM) or Equivalent.
- LED Connector Specification
 - 05010HR-06D (Yeonho) or Equivalent.
- Torque of user hole : 3.0~3.5 kgf-cm
- Tilt and partial disposition tolerance of display area as following
 - Y-Direction : IA-BI ≤ 1.4
 - X-Direction : IC-DI ≤ 1.4



- Unspecified tolerances to be ± 0.5mm
- Gap between Bezel and Panel : Max 0.8mm
- The D-IC area is weak & sensitive, so, please don't press the D-IC area

Product Specification
6. Reliability
Table 13. Environment test conditions

| No | Test Item | Condition |
|----|---|--|
| 1 | High temperature storage test | Ta= 60°C 240hrs |
| 2 | Low temperature storage test | Ta= -20°C 240hrs |
| 3 | High temperature operation test | Ta= 50°C 50%RH 240hrs |
| 4 | Low temperature operation test | Ta= 0°C 240hrs |
| 5 | Vibration test (non-operating) | Wave form : random Vibration level : 1.0GRMS Bandwidth : 10-300Hz Duration : X,Y,Z, 20 min One time each direction |
| 6 | Shock test (non-operating) | Shock level : 100G Waveform : half sine wave, 2msec Direction : ±X, ±Y, ±Z One time each direction |
| 7 | Altitude operating storage / shipment | 0 - 10,000 feet(3,048m) 0 - 40,000 feet(12,192m) |

{ Result evaluation criteria }

There should be no change which might affect the practical display function when the display quality test is conducted under normal operating condition.

Product Specification**7. International standards****7-1. Safety**

- a) UL 60950-1, Second Edition, Underwriters Laboratories Inc.
Information Technology Equipment - Safety - Part 1 : General Requirements.
- b) CAN/CSA C22.2 No.60950-1-07, Second Edition, Canadian Standards Association.
Information Technology Equipment - Safety - Part 1 : General Requirements.
- c) EN 60950-1:2006 + A11:2009, European Committee for Electrotechnical Standardization(CENELEC).
Information Technology Equipment - Safety - Part 1 : General Requirements.
- d) IEC 60950-1:2005, Second Edition, The International Electrotechnical Commission (IEC).
Information Technology Equipment - Safety - Part 1 : General Requirements.
(Including report of IEC60825-1:2001 clause 8 and clause 9)

Notes**1. Laser (LED Backlight) Information**

| |
|--|
| Class 1M LED Product IEC60825-1 : 2001 Embedded LED Power (Class1M) Power : 4.44 mW (Max.) Wavelength : 258 ~ 622 (nm) Width : 1.5 x 0.6 (mm) |
|--|

2. Caution

- : LED inside.
- Class 1M laser (LEDs) radiation when open.
- Do not open while operating.

7-2. EMC

- a) ANSI C63.4 "American National Standard for Methods of Measurement of Radio-Noise Emissions from Low-Voltage Electrical and Electronic Equipment in the Range of 9 kHz to 40 GHz." American National Standards Institute (ANSI), 2003.
- b) CISPR 22 "Information technology equipment – Radio disturbance characteristics – Limit and methods of measurement." International Special Committee on Radio Interference (CISPR), 2005.
- c) CISPR 13 "Sound and television broadcast receivers and associated equipment – Radio disturbance characteristics – Limits and method of measurement." International Special Committee on Radio Interference (CISPR), 2006.

7-3. Environment

- a) RoHS, Directive 2002/95/EC of the European Parliament and of the council of 27 January 2003

Product Specification

8. Packing

8-1. Designation of lot mark

a) Lot mark

| | | | | | | | | | | | | |
|---|---|---|---|---|---|---|---|---|---|---|---|---|
| A | B | C | D | E | F | G | H | I | J | K | L | M |
|---|---|---|---|---|---|---|---|---|---|---|---|---|

A,B,C : Size (Inch)
E : Month

D : Year
F ~ M : Serial No.

Note:

1. Year

| | | | | | | | | | | |
|------|------|------|------|------|------|------|------|------|------|------|
| Year | 2001 | 2002 | 2003 | 2004 | 2005 | 2006 | 2007 | 2008 | 2009 | 2010 |
| Mark | 1 | 2 | 3 | 4 | 5 | 6 | 7 | 8 | 9 | 0 |

2. Month

| | | | | | | | | | | | | |
|-------|-----|-----|-----|-----|-----|-----|-----|-----|-----|-----|-----|-----|
| Month | Jan | Feb | Mar | Apr | May | Jun | Jul | Aug | Sep | Oct | Nov | Dec |
| Mark | 1 | 2 | 3 | 4 | 5 | 6 | 7 | 8 | 9 | A | B | C |

b) Location of lot mark

Serial No. is printed on the label. The label is attached to the backside of the LCD module.
This is subject to change without prior notice.

8-2. Packing form

a) Package quantity in one box : 8 pcs

b) Box size : 350 X 300 X 600 mm

Product Specification**9. Precautions**

Please pay attention to the followings when you use this TFT LCD module.

9-1. Mounting Precautions

- (1) You must mount a module using holes arranged in four corners or four sides.
- (2) You should consider the mounting structure so that uneven force (ex. Twisted stress) is not applied to the Module. And the case on which a module is mounted should have sufficient strength so that external force is not transmitted directly to the module.
- (3) Please attach the surface transparent protective plate to the surface in order to protect the polarizer. Transparent protective plate should have sufficient strength in order to the resist external force.
- (4) You should adopt radiation structure to satisfy the temperature specification.
- (5) Acetic acid type and chlorine type materials for the cover case are not desirable because the former generates corrosive gas of attacking the polarizer at high temperature and the latter causes circuit break by electro-chemical reaction.
- (6) Do not touch, push or rub the exposed polarizers with glass, tweezers or anything harder than HB pencil lead. And please do not rub with dust clothes with chemical treatment. Do not touch the surface of polarizer for bare hand or greasy cloth.
(Some cosmetics are detrimental to the polarizer.)
- (7) When the surface becomes dusty, please wipe gently with absorbent cotton or other soft materials like chamois soaks with petroleum benzene. Normal-hexane is recommended for cleaning the adhesives used to attach front / rear polarizers. Do not use acetone, toluene and alcohol because they cause chemical damage to the polarizer.
- (8) Wipe off saliva or water drops as soon as possible. Their long time contact with polarizer causes deformations and color fading.
- (9) Do not open the case because inside circuits do not have sufficient strength.

9-2. Operating precautions

- (1) The spike noise causes the mis-operation of circuits. It should be lower than following voltage : $V = \pm 200\text{mV}$ (Over and under shoot voltage)
- (2) Response time depends on the temperature. (In lower temperature, it becomes longer.)
- (3) Brightness depends on the temperature. (In lower temperature, it becomes higher.)
And in lower temperature, response time (required time that brightness is stable after turned on) becomes longer.
- (4) Be careful for condensation at sudden temperature change. Condensation makes damage to polarizer or electrical contacted parts. And after fading condensation, smear or spot will occur.
- (5) When fixed patterns are displayed for a long time, remnant image is likely to occur.
- (6) Module has high frequency circuits. Sufficient suppression to the electromagnetic interference shall be done by system manufacturers. Grounding and shielding methods may be important to minimized the interference.
- (7) Please do not give any mechanical and/or acoustical impact to LCM. Otherwise, LCM can not be operated its full characteristics perfectly.
- (8) A screw which is fastened up the steels should be a machine screw (if not, it causes metal foreign material and deal LCM a fatal blow)
- (9) Please do not set LCD on its edge.

Product Specification**9-3. Electrostatic discharge control**

Since a module is composed of electronic circuits, it is not strong to electrostatic discharge. Make certain that treatment persons are connected to ground through wrist band etc. And don't touch interface pin directly.

9-4. Precautions for strong light exposure

Strong light exposure causes degradation of polarizer and color filter.

9-5. Storage

When storing modules as spares for a long time, the following precautions are necessary.

- (1) Store them in a dark place. Do not expose the module to sunlight or fluorescent light. Keep the temperature between 5°C and 35°C at normal humidity.
- (2) The polarizer surface should not come in contact with any other object.
It is recommended that they be stored in the container in which they were shipped.

9-6. Handling precautions for protection film

- (1) The protection film is attached to the bezel with a small masking tape.
When the protection film is peeled off, static electricity is generated between the film and polarizer. This should be peeled off slowly and carefully by people who are electrically grounded and with well ion-blown equipment or in such a condition, etc.
- (2) When the module with protection film attached is stored for a long time, sometimes there remains a very small amount of glue still on the bezel after the protection film is peeled off.
- (3) You can remove the glue easily. When the glue remains on the bezel surface or its vestige is recognized, please wipe them off with absorbent cotton waste or other soft material like chamois soaked with normal-hexane.