



# LM348 LM248

## Differential Input Operational Amplifiers

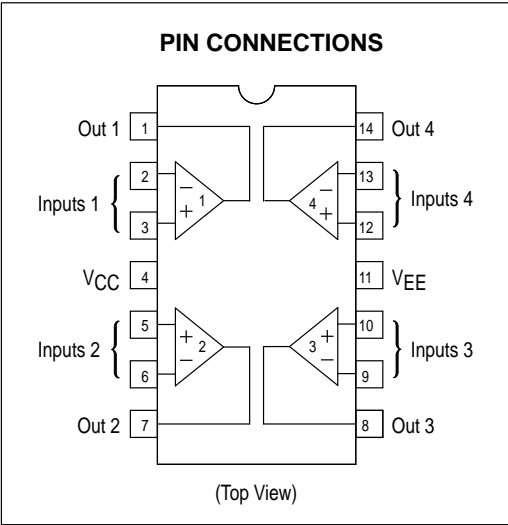
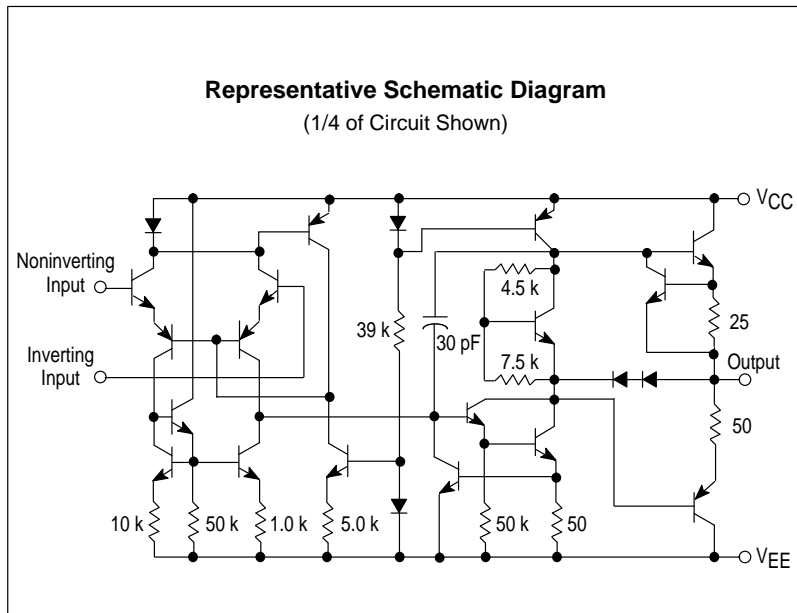
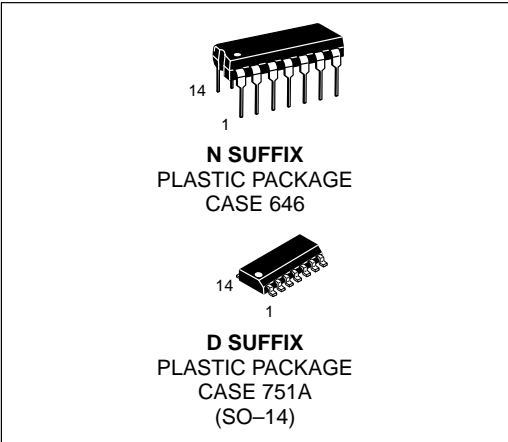
The LM348 series is a true quad MC1741. Integrated on a single monolithic chip are four independent, low power operational amplifiers which have been designed to provide operating characteristics identical to those of the industry standard MC1741, and can be applied with no change in circuit performance. In addition, the total supply current for all four amplifiers is comparable to the supply current of a single MC1741. Other features include input offset currents and input bias currents which are much less than the MC1741 industry standard.

The LM348 can be used in applications where amplifier matching or high packing density is important. Other applications include high impedance buffer amplifiers and active filter amplifiers.

- Each Amplifier is Functionally Equivalent to the MC1741
- Low Input Offset and Input Bias Currents
- Class AB Output Stage Eliminates Crossover Distortion
- Pin Compatible with MC3403 and LM324
- True Differential Inputs
- Internally Frequency Compensated
- Short Circuit Protection
- Low Power Supply Current (0.6 mA/Amplifier)

### DIFFERENTIAL INPUT OPERATIONAL AMPLIFIERS

**SEMICONDUCTOR  
TECHNICAL DATA**



**ORDERING INFORMATION**

Device	Operating Temperature Range	Package
LM248N	$T_A = -25^\circ \text{ to } +85^\circ \text{C}$	Plastic DIP
LM348D LM348N	$T_A = 0^\circ \text{ to } +70^\circ \text{C}$	SO-14 Plastic DIP

# LM348 LM248

## MAXIMUM RATINGS (T<sub>A</sub> = +25°C, unless otherwise noted.)

Rating	Symbol	Value	Unit	
Power Supply Voltage	V <sub>CC</sub> V <sub>EE</sub>	+18 -18	Vdc	
Input Differential Voltage	V <sub>ID</sub>	±36	V	
Input Common Mode Voltage	V <sub>ICM</sub>	±18	V	
Output Short Circuit Duration	t <sub>SC</sub>	Continuous		
Operating Ambient Temperature Range	T <sub>A</sub>	-25 to +85	0 to +70	°C
Storage Temperature Range	T <sub>stg</sub>	-55 to +125		°C
Junction Temperature	T <sub>J</sub>	150		°C

## ELECTRICAL CHARACTERISTICS (V<sub>CC</sub> = +15 V, V<sub>EE</sub> = -15 V, T<sub>A</sub> = 25°C, unless otherwise noted.)

Characteristic	Symbol	Min	Typ	Max	Unit
Input Offset Voltage (R <sub>S</sub> ≤ 10 k)	V <sub>IO</sub>	-	1.0	6.0	mV
Input Offset Current	I <sub>IO</sub>	-	4.0	50	nA
Input Bias Current	I <sub>IB</sub>	-	30	200	nA
Input Resistance	r <sub>i</sub>	0.8	2.5	-	MΩ
Common Mode Input Voltage Range	V <sub>ICR</sub>	±12	-	-	V
Large Signal Voltage Gain (R <sub>L</sub> ≥ 2.0 k, V <sub>O</sub> = ±10 V)	A <sub>VOL</sub>	25	160	-	V/mV
Channel Separation (f = 1.0 Hz to 20 kHz)	-	-	-120	-	dB
Common Mode Rejection (R <sub>S</sub> ≤ 10 k)	CMR	70	90	-	dB
Supply Voltage Rejection (R <sub>S</sub> ≤ 10 k)	PSR	77	96	-	dB
Output Voltage Swing (R <sub>L</sub> ≥ 10 k) (R <sub>L</sub> ≥ 2 k)	V <sub>O</sub>	±12 ±10	±13 ±12	- -	V
Output Short Circuit Current	I <sub>SC</sub>	-	25	-	mA
Supply Current (All Amplifiers)	I <sub>D</sub>	-	2.4	4.5	mA
Small Signal Bandwidth (A <sub>V</sub> = 1)	BW	-	1.0	-	MHz
Phase Margin (A <sub>V</sub> = 1)	φ <sub>m</sub>	-	60	-	Degrees
Slew Rate (A <sub>V</sub> = 1)	SR	-	0.5	-	V/μs

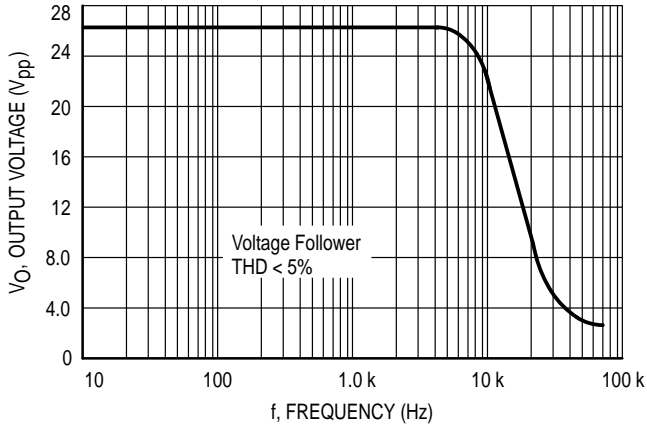
## ELECTRICAL CHARACTERISTICS (V<sub>CC</sub> = +15 V, V<sub>EE</sub> = -15 V, T<sub>A</sub> = \*T<sub>high</sub> to T<sub>low</sub>, unless otherwise noted.)

Characteristic	Symbol	Min	Typ	Max	Unit
Input Offset Voltage (R <sub>S</sub> ≤ 10 kΩ)	V <sub>IO</sub>	-	-	7.5	mV
Input Offset Current	I <sub>IO</sub>	-	-	125	nA
LM248		-	-	100	
LM348		-	-	100	
Input Bias Current	I <sub>IB</sub>	-	-	500	nA
LM248		-	-	400	
LM348		-	-	400	
Common Mode Input Voltage Range	V <sub>ICR</sub>	±12	-	-	V
Large Signal Voltage Gain (R <sub>L</sub> ≥ 2 k, V <sub>O</sub> = ±10 V)	A <sub>VOL</sub>	15	-	-	V/mV
Common Mode Rejection (R <sub>S</sub> ≤ 10 k)	CMR	70	90	-	dB
Supply Voltage Rejection (R <sub>S</sub> ≤ 10 k)	PSR	77	96	-	dB
Output Voltage Swing (R <sub>L</sub> ≥ 10 k) (R <sub>L</sub> ≥ 2 k)	V <sub>O</sub>	±12 ±10	±13 ±12	- -	V

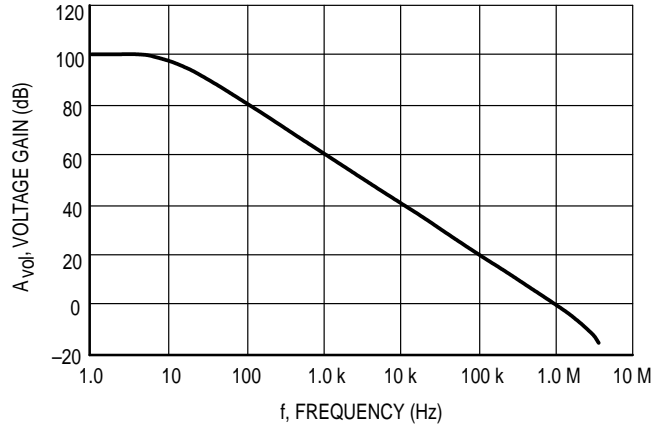
\* T<sub>high</sub> = 85°C for LM248, and 70°C for LM348. T<sub>low</sub> = -25°C for LM248, and 0°C for LM348.

**NOTE:** Any of the amplifier outputs can be shorted to ground indefinitely; however, more than one should not be simultaneously shorted or the maximum junction temperature will be exceeded.

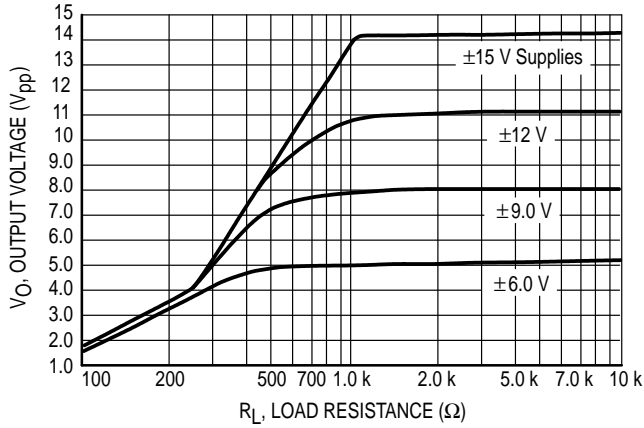
**Figure 1. Power Bandwidth  
(Large Signal Swing versus Frequency)**



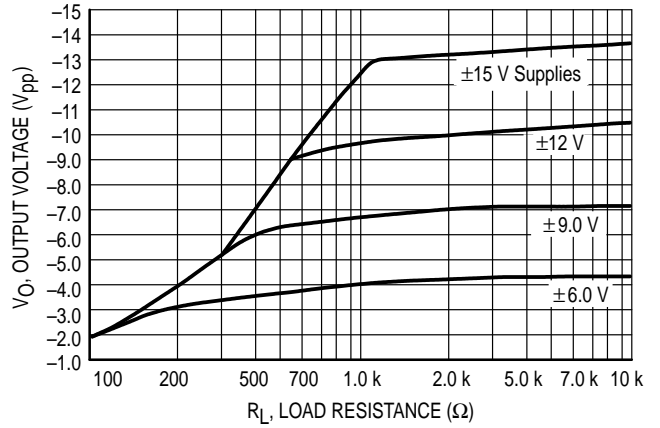
**Figure 2. Open Loop Frequency Response**



**Figure 3. Positive Output Voltage Swing  
versus Load Resistance**



**Figure 4. Negative Output Voltage Swing  
versus Load Resistance**



**Figure 5. Output Voltage Swing versus  
Load Resistance (Single Supply Operation)**

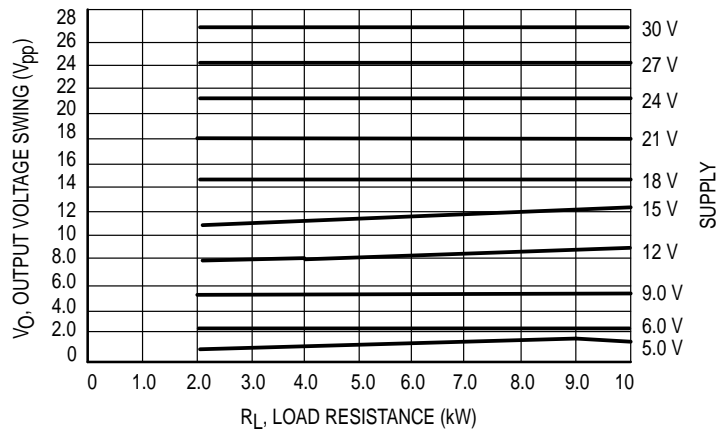


Figure 6. Noninverting Pulse Response

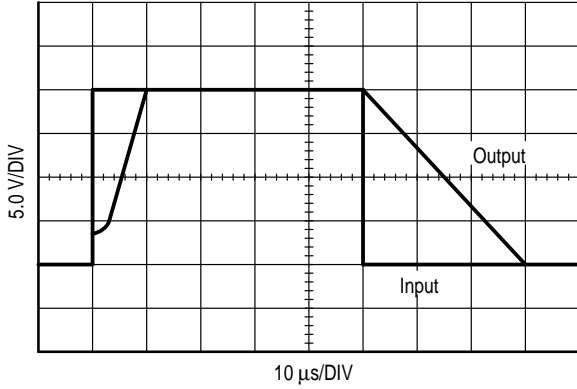
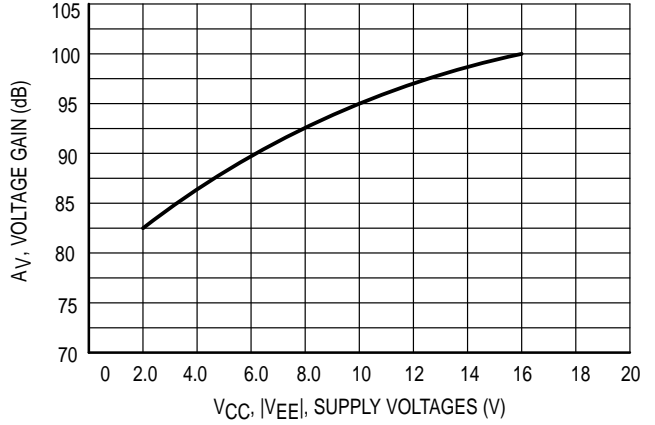


Figure 7. Open Loop Voltage Gain versus Supply Voltage



APPLICATIONS INFORMATION

Figure 8. Voltage Reference

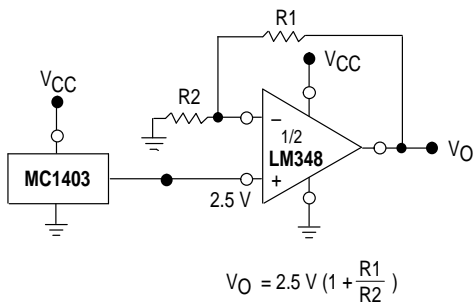


Figure 9. Wien Bridge Oscillator

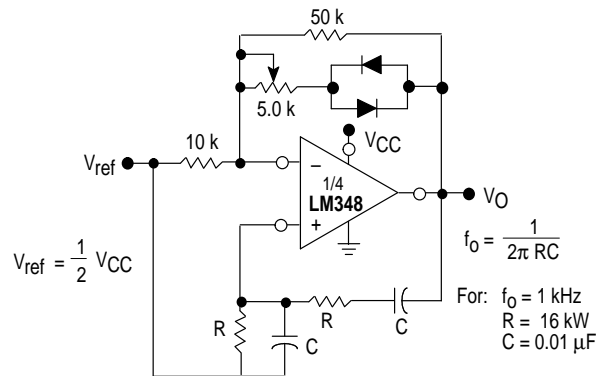


Figure 10. High Impedance Differential Amplifier

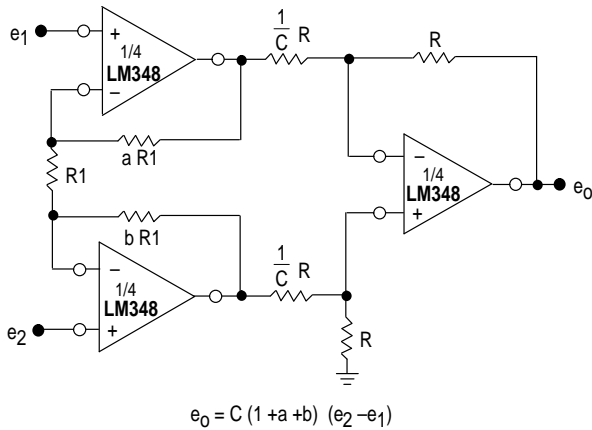
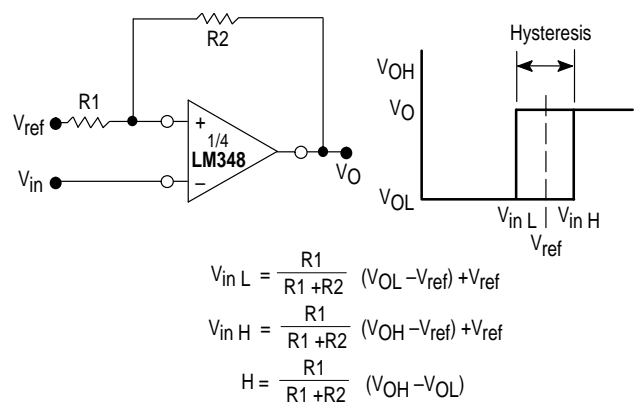


Figure 11. Comparator with Hysteresis



# LM348 LM248

Figure 12. High Impedance Instrumentation Buffer/Filter

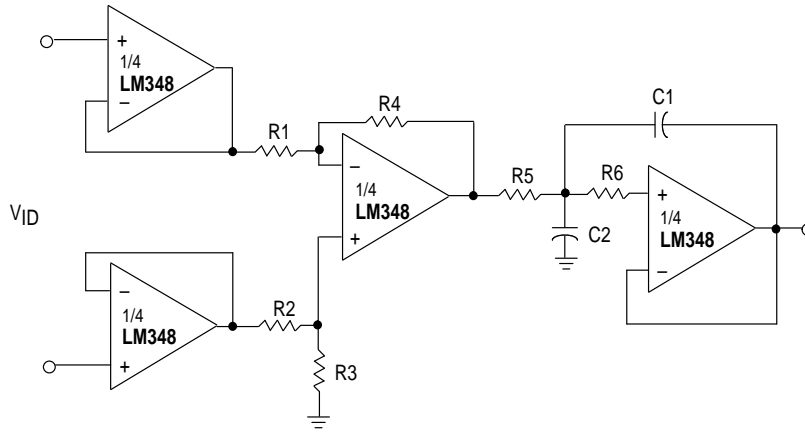


Figure 13. Function Generator

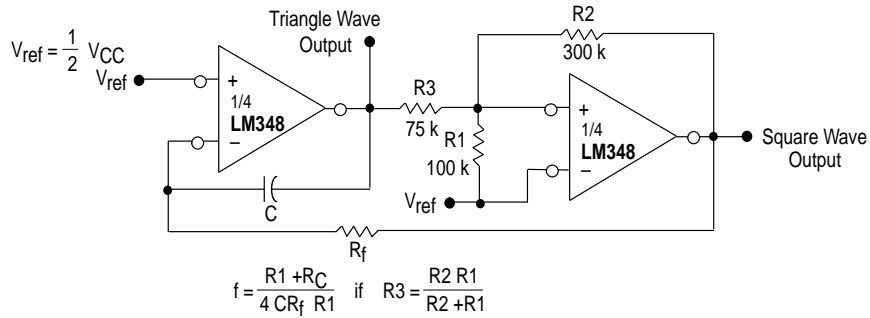
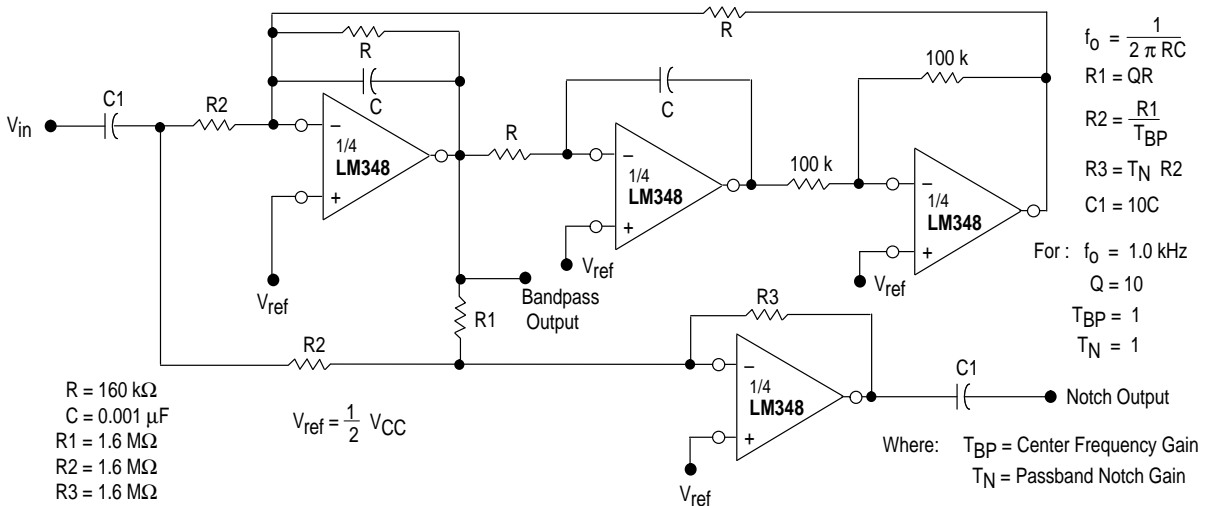
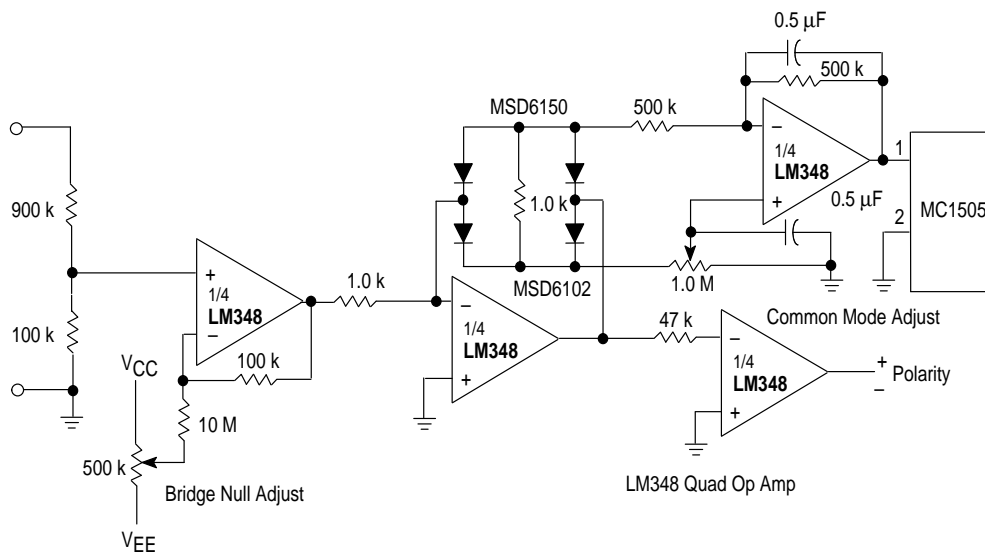


Figure 14. Bi-Quad Filter



# LM348 LM248

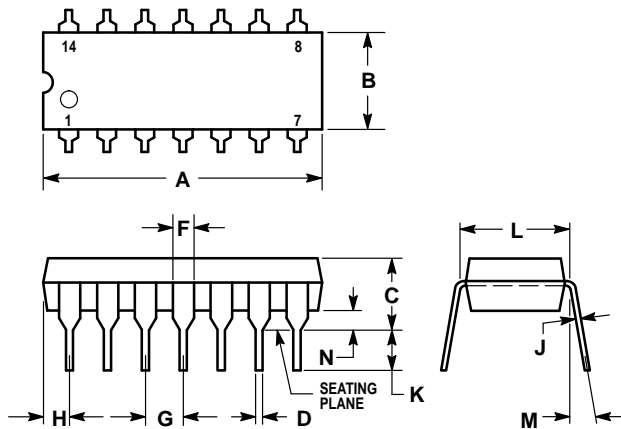
Figure 15. Absolute Value DVM Front End



# LM348 LM248

## OUTLINE DIMENSIONS

### N SUFFIX PLASTIC PACKAGE CASE 646-06 ISSUE L

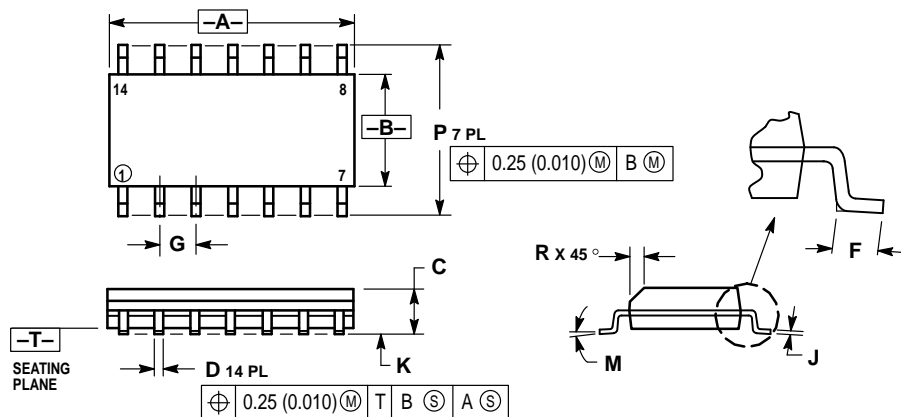


NOTES:

- LEADS WITHIN 0.13 (0.005) RADIUS OF TRUE POSITION AT SEATING PLANE AT MAXIMUM MATERIAL CONDITION.
- DIMENSION L TO CENTER OF LEADS WHEN FORMED PARALLEL.
- DIMENSION B DOES NOT INCLUDE MOLD FLASH.
- ROUNDED CORNERS OPTIONAL.

DIM	INCHES		MILLIMETERS	
	MIN	MAX	MIN	MAX
A	0.715	0.770	18.16	19.56
B	0.240	0.260	6.10	6.60
C	0.145	0.185	3.69	4.69
D	0.015	0.021	0.38	0.53
F	0.040	0.070	1.02	1.78
G	0.100 BSC		2.54 BSC	
H	0.052	0.095	1.32	2.41
J	0.008	0.015	0.20	0.38
K	0.115	0.135	2.92	3.43
L	0.300 BSC		7.62 BSC	
M	0°	10°	0°	10°
N	0.015	0.039	0.39	1.01

### D SUFFIX PLASTIC PACKAGE CASE 751A-03 (SO-14) ISSUE F

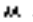


NOTES:

- DIMENSIONING AND TOLERANCING PER ANSI Y14.5M, 1982.
- CONTROLLING DIMENSION: MILLIMETER.
- DIMENSIONS A AND B DO NOT INCLUDE MOLD PROTRUSION.
- MAXIMUM MOLD PROTRUSION 0.15 (0.006) PER SIDE.
- DIMENSION D DOES NOT INCLUDE DAMBAR PROTRUSION. ALLOWABLE DAMBAR PROTRUSION SHALL BE 0.127 (0.005) TOTAL IN EXCESS OF THE D DIMENSION AT MAXIMUM MATERIAL CONDITION.

DIM	MILLIMETERS		INCHES	
	MIN	MAX	MIN	MAX
A	8.55	8.75	0.337	0.344
B	3.80	4.00	0.150	0.157
C	1.35	1.75	0.054	0.068
D	0.35	0.49	0.014	0.019
F	0.40	1.25	0.016	0.049
G	1.27 BSC		0.050 BSC	
J	0.19	0.25	0.008	0.009
K	0.10	0.25	0.004	0.009
M	0°	7°	0°	7°
P	5.80	6.20	0.228	0.244
R	0.25	0.50	0.010	0.019

# LM348 LM248

Motorola reserves the right to make changes without further notice to any products herein. Motorola makes no warranty, representation or guarantee regarding the suitability of its products for any particular purpose, nor does Motorola assume any liability arising out of the application or use of any product or circuit, and specifically disclaims any and all liability, including without limitation consequential or incidental damages. "Typical" parameters can and do vary in different applications. All operating parameters, including "Typicals" must be validated for each customer application by customer's technical experts. Motorola does not convey any license under its patent rights nor the rights of others. Motorola products are not designed, intended, or authorized for use as components in systems intended for surgical implant into the body, or other applications intended to support or sustain life, or for any other application in which the failure of the Motorola product could create a situation where personal injury or death may occur. Should Buyer purchase or use Motorola products for any such unintended or unauthorized application, Buyer shall indemnify and hold Motorola and its officers, employees, subsidiaries, affiliates, and distributors harmless against all claims, costs, damages, and expenses, and reasonable attorney fees arising out of, directly or indirectly, any claim of personal injury or death associated with such unintended or unauthorized use, even if such claim alleges that Motorola was negligent regarding the design or manufacture of the part. Motorola and  are registered trademarks of Motorola, Inc. Motorola, Inc. is an Equal Opportunity/Affirmative Action Employer.

**How to reach us:**

**USA / EUROPE:** Motorola Literature Distribution;  
P.O. Box 20912; Phoenix, Arizona 85036. 1-800-441-2447

**JAPAN:** Nippon Motorola Ltd.; Tatsumi-SPD-JLDC, Toshikatsu Otsuki,  
6F Seibu-Butsuryu-Center, 3-14-2 Tatsumi Koto-Ku, Tokyo 135, Japan. 03-3521-8315

**MFAX:** RMFAX0@email.sps.mot.com – TOUCHTONE (602) 244-6609  
**INTERNET:** <http://Design-NET.com>

**HONG KONG:** Motorola Semiconductors H.K. Ltd.; 8B Tai Ping Industrial Park,  
51 Ting Kok Road, Tai Po, N.T., Hong Kong. 852-26629298



◇ CODELINE TO BE PLACED HERE

LM348/D

