

* The date(Create Date, Approved Date, Check Date) is based on Korean standard time(GMT+9)

Created Date	2009-08-10 16:47 (Korea Time)		
Requested by	최찬용 (BS Module전략Sourcing그룹 / 대리 , 82-054-470-5932)		
Subject	[Approval Formal] EAJ60703601(LGD 27"W_LM270WF1-TLD1_ZBD/ TLD2_Non-ZBD)		
EDMS Attributes	Biz Map	Procure Materials and Services > Develop Procurement Strategy	
	Team Map	BS Sourcing팀 > BS Module전략Sourcing그룹	
	Doc Type	Approval	Retention 5 Year
	Info Type		
	Security Grade	Internal use (Only)	Doc Language

Component Development Information

Model : W2753VC, M2762D

Approval type : New (●) Limit () Revision () 4M ()

HSMS (RoHS) : Complete (●) Limit Approval () Warranty Approval ()

Reliability test : Needless () Need (Test Report No: ●)

Class Name : LCD,Module-TFT

Part Number : EAJ60703601 (ZBD) / EAJ60703602 (Non-ZBD)

Maker : LG Display

Specification : LM270WF1-TLD1 FULLHD 27.0INCH 1920X1080 300CD COLOR 72% 16/9 1,000:1
R/T:5ms,V/A:170/160,4CCFL

Key part list : T-CON:RENESAS(BLISS),S-IC:MAGNA,G-ICI:LUSEM,B/L ASSY:HEESUNG,LAMP MAKER:Woori ETI
Lamp Assy : Gaya Tech,B/L Sheet:DBEF-D+Prism+Diffuser

Development History : LGD 27"W_16:9 4CCFL New Module Development

★Safety Standard Parts [안전규격부품 List]

Power Cord, Power Plug, X / Y-Capacitor, Power Switch, Fuse, SMPS Trans, Stand-By Trans, Photo coupler, Insulation (절연) Resistor, Discharge (방전)Resistor, Fusing Resistor, FBT,CPT, CPT Socket, DY, D-Coil, Line Filter, PCB Material, Front / Back-cover Material, Relay(1-2차간), Varistor, Adaptor, PSU(Power supply unit)

★EMC Standard Parts [전자파규격 부품 List]

Power Plug, Line Filter, X-Capacitor, Y-Capacitor, SMPS Trans, Tuner, Saw-Filter, Shield Case, Oscillator, Pattern Change

★Green [유해물질 확인사항]

This item must meet the standards of LG Electronics for six major substances as designated by RoHS for control.

Approval Line	Approval Type	Status	Approved Date	Approved by / Comment
	Agree	Approved	2009-08-10 17:08	KANGHUI KH (LGEND R&D.COMPONENT DEVELOPMENT GROUP / assist manager) <i>Comment</i> : B / L ASSY:HEESUNG, LAMP MAKER:Woori ETI
Agree	Approved	2009-08-10 17:34	CHENHUAN CH (LGEND R&D.R&D PLANNING GROUP / officer 1) <i>Comment</i> : OK	
Agree	Approved	2009-08-10 18:10	HUANGDANYANG HDY (LGEND R&D.R&D PLANNING GROUP / manager b) <i>Comment</i> : ok	
Agree	Approved	2009-08-11 08:51	손경조 (평택규격그룹 / 선임연구원) <i>Comment</i> : 확인합니다.	
Agree	Approved	2009-08-11 10:22	윤성욱 (평택규격그룹 / 책임연구원) <i>Comment</i> : approved,ND,KR checked (M2762D)	
Agree	Approved	2009-08-11 13:11	김철회 (LGEND R&D.MECHANIC DEVELOPMENT GROUP / 선임연구원) <i>Comment</i> : 확인합니다	
Agree	Approved	2009-08-11 14:14	황동선 (LGEND R&D.MNT GROUP / 수석연구원) <i>Comment</i> : 확인함.	
Agree	Approved	2009-08-11 17:31	배권일 (LGEND R&D.COMPONENT DEVELOPMENT GROUP / 수석연구원) <i>Comment</i> : ok	
Agree	Approved	2009-08-11 17:36	곽명근 (Monitor회로개발그룹 / 책임연구원) <i>Comment</i> : 확인합니다	



	Agree	Approved	2009-08-11 18:23	이재민 (Monitor회로개발그룹 / 수석연구원) Comment : 확인함.
	Approval	Approved	2009-08-11 18:44	정동원 (BS Module전략Sourcing그룹 / 차장) Comment : 확인합니다.
CC	<p>장원기 (Monitor회로개발그룹 / 책임연구원) 윤시열 (Monitor R&D기획그룹 / 책임연구원) 송재학 (BS품질보증그룹 / 차장) 강희철 (Monitor회로개발그룹 / 선임연구원) 박동호 (BS Module전략Sourcing그룹 / 부장) 이승현 (Monitor회로개발그룹 / 수석연구원) 황병연 (Monitor회로개발그룹 / 주임연구원) 한상석 (Monitor회로개발그룹 / 선임연구원) 이기형 (Monitor R&D기획그룹 / 선임연구원) 최찬용 (BS Module전략Sourcing그룹 / 대리) 이상욱 (LCD TV규격그룹 / 수석연구원) 김철희 (LGEND R&D.MECHANIC DEVELOPMENT GROUP / 선임연구원) 허희준 (Monitor R&D기획그룹 / 선임연구원) 이주병 (Monitor회로개발그룹 / 주임연구원) 홍준원 (BS품질보증그룹 / 대리) 신준호 (Monitor회로개발그룹 / 주임연구원) 곽명근 (Monitor회로개발그룹 / 책임연구원) 손현우 (Monitor회로개발그룹 / 주임연구원) 김부영 (Monitor R&D기획그룹 / 주임연구원) 이광훈 (Monitor회로개발그룹 / 주임연구원) 권영국 (Monitor회로개발그룹 / 주임연구원) 류정일 (Monitor회로개발그룹 / 주임연구원) 김영주 (Monitor R&D기획그룹 / 연구원) 이성수 (평택규격그룹 / 주임연구원) 이지수 (BS조달그룹 / 사원) 양선연 (Monitor회로개발그룹 / 주임연구원) 임철재 (Monitor회로개발그룹 / 주임연구원) 이재민 (Monitor회로개발그룹 / 수석연구원) 황동선 (LGEND R&D.MNT GROUP / 수석연구원) 김종태 (Monitor회로개발그룹 / 수석연구원) 이명규 (평택규격그룹 / 책임연구원) 배권일 (LGEND R&D.COMPONENT DEVELOPMENT GROUP / 수석연구원) 차상호 (평택규격그룹 / 책임연구원) 박우근 (BS조달그룹 / 차장) 배덕호 (LGEND R&D.MECHANIC GROUP / 책임연구원) 박강식 (Display부품품질보증계 / 기정) 한태수 (Display부품품질보증계 / 기장) PANWANXIANG PWX (SQA GROUP / assist manager) SHENPING SP (LGEND PRODUCTION.CIRCUIT.PURCHASING GROUP / officer 1) JINRENMING JRM (LGEND R&D.MNT MASS PRODUCTION GROUP / assist manager) DONGJIAN DJ (SQA GROUP / Operator3) ZHANGCHENGXIANG ZCX (LGEND PRODUCTION.MANUFACTURING GROUP / Operator3) KANGHUI KH (LGEND R&D.COMPONENT DEVELOPMENT GROUP / assist manager) ZHAOLINLIN ZLL (LGEND R&D.R&D PLANNING GROUP / assist manager) SUNFEI SF (LGEND PRODUCTION.MATERIAL GROUP / Operator4) LIUZICHEN LZC (LGEND R&D.R&D PLANNING GROUP / officer 1) CHENWEI CW (LGEND R&D.MNT MASS PRODUCTION GROUP / officer 1) XIONGLIPING XLP (LGEND R&D.MECHANIC MASS PRODUCTION GROUP / officer 1) DOUKUN DK (SQA GROUP / officer 1) ZHENGWANJI ZWJ (LGEND R&D.COMPONENT DEVELOPMENT GROUP / officer 1) 이대용 (Display부품품질보증계 / 주임) Qing yong (LGENT / LOCAL EMPLOYEE)</p>			
EDMS Doc Link				
Attached Local Files	LM270WF1-TLD1 Module Comparison & Key part list(final).zip [LGE Approval] CAS_LM270WF1-TLD1.pdf [LGE Approval] IIS_LM270WF1-TLD1.pdf LM270WF1-TLD1(4CCFL) TCO 03 document.pdf LM270WF1-TLD1 Safety document.zip LM270WF1-TLD1 LGD Test Report.zip			



LM270WF1
Liquid Crystal Display

Product Specification

SPECIFICATION FOR APPROVAL

- () Preliminary Specification
- (●) Final Specification

Title	27" Full HD TFT LCD
-------	---------------------

BUYER	LG Electronics
MODEL	

SUPPLIER	LG. Display Co., Ltd.
*MODEL	LM270WF1
SUFFIX	TLD1

*When you obtain standard approval,
please use the above model name without suffix

APPROVED BY	SIGNATURE DATE
/	
/	
/	

Please return 1 copy for your confirmation with your signature and comments.

APPROVED BY	SIGNATURE DATE
Hans. Kim / G.Manager	8.6
REVIEWED BY	
J. H. KIM / Manager [C]	8.6
K. H. MOON / Manager [M]	8.6
D. Y. Seok / Manager [P]	8.6
PREPARED BY	
J. H. KIM / Engineer	09.08.06.

MNT Products Engineering Dept.
LG Display Co., Ltd

Product Specification
Contents

No	ITEM	Page
	COVER	1
	CONTENTS	2
	RECORD OF REVISIONS	3
1	GENERAL DESCRIPTION	4
2	ABSOLUTE MAXIMUM RATINGS	5
3	ELECTRICAL SPECIFICATIONS	6
3-1	ELECTRICAL CHARACTERISTICS	6
3-2	INTERFACE CONNECTIONS	8
3-3	SIGNAL TIMING SPECIFICATIONS	12
3-4	SIGNAL TIMING WAVEFORMS	13
3-5	COLOR INPUT DATA REFERENCE	14
3-6	POWER SEQUENCE	15
4	OPTICAL SPECIFICATIONS	17
5	MECHANICAL CHARACTERISTICS	23
6	RELIABILITY	26
7	INTERNATIONAL STANDARDS	27
7-1	SAFETY	27
7-2	EMC	27
8	PACKING	28
8-1	DESIGNATION OF LOT MARK	28
8-2	PACKING FORM	28
9	PRECAUTIONS	29



LM270WF1
Liquid Crystal Display

Product Specification

RECORD OF REVISIONS

Revision No	Revision Date	Page	Description
0.0	Oct. 1. 2008		First Draft(Preliminary)
0.1	Jan.15.2009	4,25	Weight is updated.
		4	BL Power Consumption is updated.
		8	Lamp electrical characteristics are updated.
		26,27	TBD of Mechanical drawing is updated
		30	Packing information is updated.
0.2	Feb. 4. 2009	20	Add the Viewing angle specification at CR>5
0.3	Feb.23. 2009	20	Color coordinates is updated.
0.4	May.11.2009	9	Added a condition of lamp input voltage phase
0.5	Jun.29.2009	4	Changed Max lamp operating current (7.5mA → 8mA)
		4	Added a condition of lamp operating current
1.0	Aug. 6.2009		Final Specification
		15	Changed wire color of lamp3
		19	Changed T7 min spec (500ms → 300ms)
		27	Update lower lamp wire length to drawing (220mm → 180mm)
		20	Color Gamut value is added.

Ver 1.0

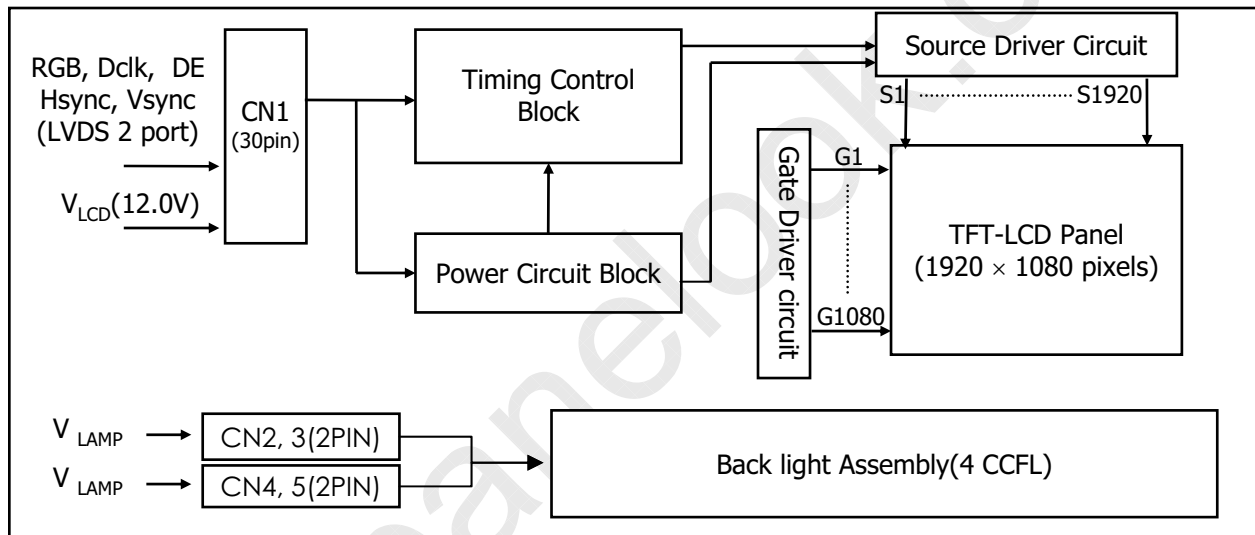
Aug, 6, 2009

3 / 32

Product Specification
1. General Description

LM270WF1 is a Color Active Matrix Liquid Crystal Display with an integral Cold Cathode Fluorescent Lamp(CCFL) backlight system. The matrix employs a-Si Thin Film Transistor as the active element. It is a transmissive type display operating in the normally black mode. It has a 27 inch diagonally measured active display area with Full HD resolution (1080 vertical by 1920 horizontal pixel array)

Each pixel is divided into Red, Green and Blue sub-pixels or dots which are arranged in vertical stripes. Gray scale or the brightness of the sub-pixel color is determined with a 8-bit gray scale signal for each dot, thus, presenting a palette of more than 16,7M colors with Advanced-FRC (Frame Rate Control). . It has been designed to apply the interface method that enables low power, high speed, low EMI. FPD Link or compatible must be used as a LVDS (Low Voltage Differential Signaling) chip. It is intended to support applications where thin thickness, wide viewing angle, low power are critical factors and graphic displays are important. It is intended to support displays where high brightness, super wide viewing angle, high color saturation, and high color are important.


Figure 1. Block diagram
General Features

Active Screen Size	27 inches(68.6cm) diagonal
Outline Dimension	630(H) x 368.2(V) x 21.6(D) mm(Typ.)
Pixel Pitch	0.3114 mm x 0.3114 mm
Pixel Format	1920 horiz. By 1080 vert. Pixels RGB stripes arrangement
Color Depth	8-bit with A-FRC, 16,777,216 colors
Luminance, White	300 cd/m ² (Center 1 point)
Viewing Angle(CR>10)	View Angle Free (R/L 170(Typ.), U/D 160(Typ.))
Power Consumption	Total 31.6 Watt (Typ.) (4.2 Watt @ V _{LCd} ,27.4Watt @300cd/m ²)
Weight	3720 g (Typ.)
Display Operating Mode	Transmissive mode, normally White
Surface Treatment	Hard coating(3H) & Anti-Glare treatment of the front polarizer

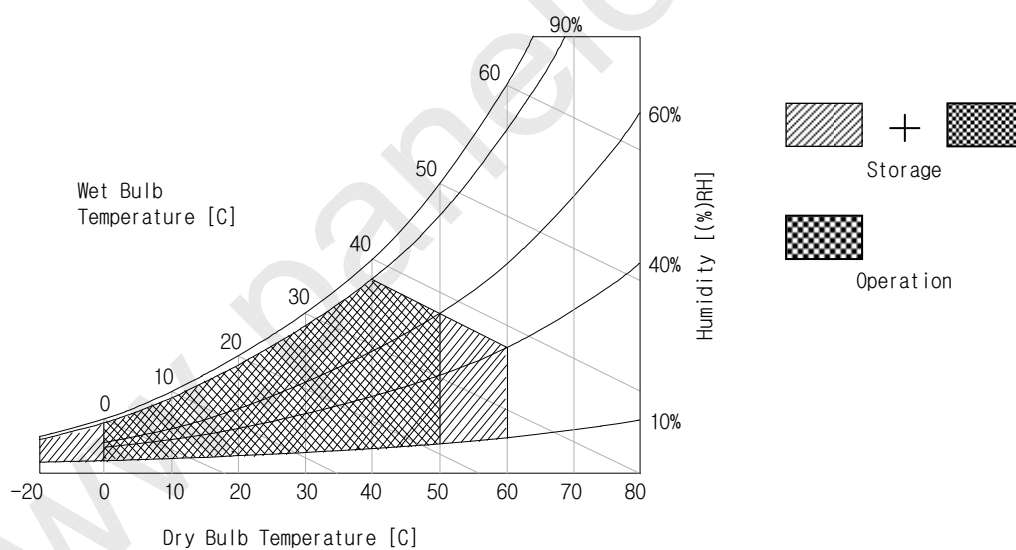
Product Specification
2. Absolute Maximum Ratings

The following are maximum values which, if exceeded, may cause faulty operation or damage to the unit.

Table 1. ABSOLUTE MAXIMUM RATINGS

Parameter	Symbol	Values		Units	Notes
		Min	Max		
Power Input Voltage	V _{LCD}	-0.3	12.4	V _{dc}	at 25 ± 2°C
Operating Temperature	T _{OP}	0	50	°C	1
Storage Temperature	T _{ST}	-20	60	°C	
Operating Ambient Humidity	H _{OP}	10	90	%RH	
Storage Humidity	H _{ST}	10	90	%RH	

Note : 1. Temperature and relative humidity range are shown in the figure below.
 Wet bulb temperature should be 39 °C Max, and no condensation of water.


Figure 2. Temperature and relative humidity

Product Specification
3. Electrical Specifications
3-1. Electrical Characteristics

It requires two power inputs. One is employed to power the LCD electronics and to drive the TFT array and liquid crystal. The second input power for the CCFL, is typically generated by an inverter. The inverter is an external unit to the LCDs.

Table 2-1. ELECTRICAL CHARACTERISTICS

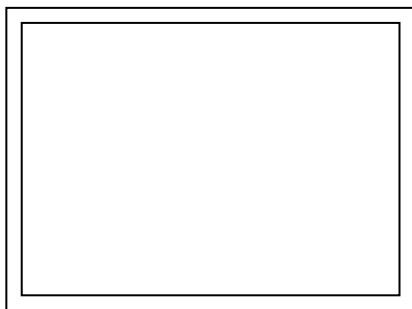
Parameter		Symbol	Values			Unit	Notes
			Min	Typ	Max		
MODULE :							
Power Supply Input Voltage		V _{LCD}	11.6	12.0	12.4	Vdc	
Permissive Power Input Ripple		V _{dRF}			400	mV _{p-p}	1
Differential Impedance		Z _m	90	100	110	Ohm	
Normal status	Power Supply Input Current	I _{LCD}	-	350	403	mA	2
			-	490	565	mA	3
	Power Consumption	P _c TYP	-	4.2	4.84	Watt	2
		P _c MAX	-	5.88	7.02	Watt	3
BDI Status	Power Supply Input Current	I _{LCD}	-	500	575	mA	2
			-	510	590	mA	3
	Power Consumption	P _c TYP	-	6.0	6.9	Watt	2
		P _c MAX	-	6.12	7.08	Watt	3
Rush current		I _{RUSH}	-	-	3.0	A	4

Note :

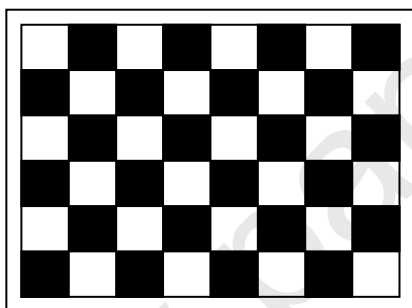
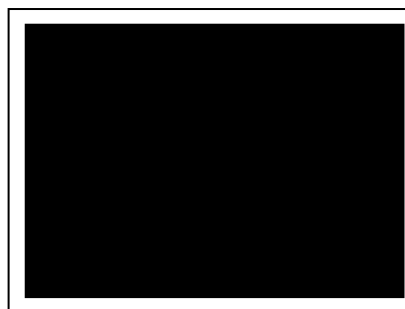
- Permissive power ripple should be measured under V_{CC}=12.0V, 25°C, f_V(frame frequency)=MAX condition and At that time, we recommend the bandwidth configuration of oscilloscope is to be under 20Mhz. See the next page.
- The specified current and power consumption are under the V_{LCD}=12.0V, 25 ± 2°C, f_V=60Hz condition whereas Mosaic and max power pattern shown in the [Figure 3] is displayed.
- The current is specified at the maximum current pattern.
- Maximum Condition of Inrush current :
The duration of rush current is about 2ms and rising time of Input Voltage is 1ms(min.).
At any rising time of Input voltage, Keep the I²T Value by below Condition
Condition : I²T < 32*2ms

Product Specification

- **Permissive Power input ripple** (VCC=5.0V, 25°C, fV(frame frequency)=MAX condition)

**White pattern****Black pattern**

- **Power consumption** (VCC=5.0V, 25°C, fV (frame frequency)=60Hz condition)

**Typical power Pattern****Max power Pattern****Figure 3. Mosaic pattern & Black Pattern for power consumption measurement**

Product Specification
Table 2_2. ELECTRICAL CHARACTERISTICS

Parameter	Symbol	Values			Unit	Notes
		Min	Typ	Max		
LAMP :						
Operating Voltage	V _{BL}	930(8.0mA)	980(7.0mA)	1160(3.0mA)	V _{RMS}	1, 2
Operating Current	I _{BL}	3.0	7.0	8	mA _{RMS}	1
Established Starting Voltage	V _S					1, 3
	at 25 °C	-	-	1560	V _{RMS}	
	at 0 °C	-	-	1880	V _{RMS}	
Operating Frequency	f _{BL}	40	-	70	kHz	4
Discharge Stabilization Time	T _S			3.0	Min	1, 5
Power Consumption	P _{BL}		27.4	30.2	Watt	6
Life Time		50,000			Hrs	1, 7

Note : The design of the inverter must have specifications for the lamp in LCD Assembly.

The performance of the Lamp in LCM, for example life time or brightness, is extremely influenced by the characteristics of the DC-AC inverter. So all the parameters of an inverter should be carefully designed so as not to produce too much leakage current from high-voltage output of the inverter.

When you design or order the inverter, please make sure unwanted lighting caused by the mismatch of the lamp and the inverter (no lighting, flicker, etc) never occurs. When you confirm it, the LCD-Assembly should be operated in the same condition as installed in you instrument.

※ Do not attach a conducting tape to lamp connecting wire.

If the lamp wire attach to a conducting tape, TFT-LCD Module has a low luminance and the inverter has abnormal action. Because leakage current is occurred between lamp wire and conducting tape.

1. Specified values are for a single lamp.

2. Operating voltage is measured at 25 ± 2°C. The variance of the voltage is ± 10%.

3. The voltage above V_S should be applied to the lamps for more than 1 second for start-up.
(Inverter open voltage must be more than lamp starting voltage.)

Otherwise, the lamps may not be turned on. The used lamp current is the lamp typical current.

4. Lamp frequency may produce interface with horizontal synchronous frequency and as a result this may cause beat on the display. Therefore lamp frequency shall be as away possible from the horizontal synchronous frequency and from its harmonics in order to prevent interference.

5. Let's define the brightness of the lamp after being lighted for 5 minutes as 100%.

T_S is the time required for the brightness of the center of the lamp to be not less than 95%.

6. The lamp power consumption shown above does not include loss of external inverter.

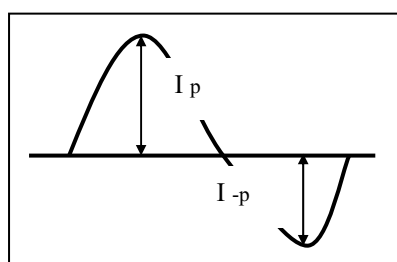
The used lamp current is the lamp typical current. ($P_{BL} = V_{BL} \times I_{BL} \times N_{Lamp}$)

7. The life is determined as the time at which brightness of the lamp is 50% compared to that of initial value at the typical lamp current on condition of continuous operating at 25 ± 2°C.

8. The mean value of all operating current should be under 7.5mA

Product Specification

8. The output of the inverter must have symmetrical(negative and positive) voltage waveform and symmetrical current waveform (Unsymmetrical ratio is less than 10%). Please do not use the inverter which has unsymmetrical voltage and unsymmetrical current and spike wave. Requirements for a system inverter design, which is intended to have a better display performance, a better power efficiency and a more reliable lamp, are following. It shall help increase the lamp lifetime and reduce leakage current.
- The asymmetry rate of the inverter waveform should be less than 10%.
 - The distortion rate of the waveform should be within $\sqrt{2} \pm 10\%$.
- * Inverter output waveform had better be more similar to ideal sine wave.



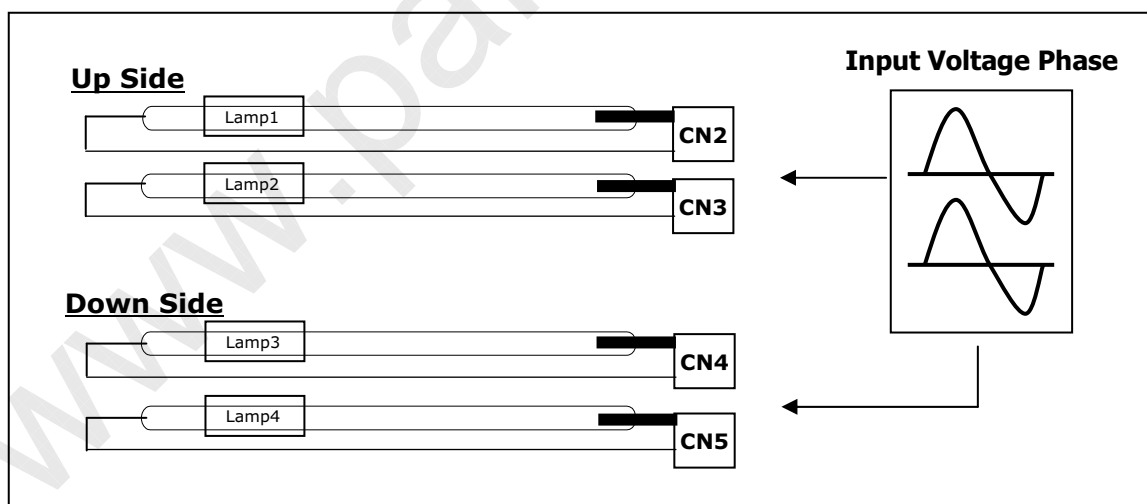
* Asymmetry rate:

$$|I_p - I_{-p}| / I_{rms} \times 100\%$$

* Distortion rate

$$I_p \text{ (or } I_{-p}) / I_{rms}$$

9. The inverter which is combined with this LCM, is highly recommended to connect coupling(ballast) condenser at the high voltage output side. When you use the inverter which has not coupling(ballast) condenser, it may cause abnormal lamp lighting because of biased mercury as time goes.
10. In case of edgy type back light with over 4 parallel lamps, input current and voltage wave form should be synchronized
11. The lamp input voltage of CN2 and CN3 must have the same phase.
12. The lamp input voltage of CN4 and CN5 must have the same phase.



Product Specification
3-2. Interface Connections

This LCD employs Two interface connections, a 30 pin connector is used for the module electronics and a 14Pin Connector is used for the integral backlight system.

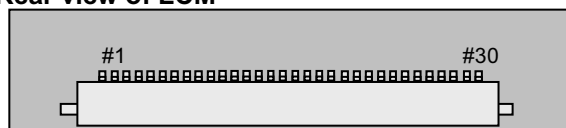
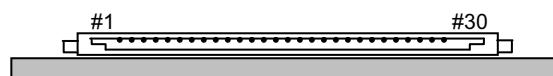
3-2-1. LCD Module

- LCD Connector(CN1): KDF71G-30S-1H, (Manufactured by Hirose)
- Mating Connector : FI-X30C2L (Manufactured by JAE) or Equivalent

Table 3 MODULE CONNECTOR(CN1) PIN CONFIGURATION

No	Symbol	Description	No	Symbol	Symbol
1	FR0M	Minus signal of odd channel 0 (LVDS)	16	SR1P	Plus signal of even channel 1 (LVDS)
2	FR0P	Plus signal of odd channel 0 (LVDS)	17	GND	Ground
3	FR1M	Minus signal of odd channel 1 (LVDS)	18	SR2M	Minus signal of even channel 2 (LVDS)
4	FR1P	Plus signal of odd channel 1 (LVDS)	19	SR2P	Plus signal of even channel 2 (LVDS)
5	FR2M	Minus signal of odd channel 2 (LVDS)	20	SCLKINM	Minus signal of even clock channel (LVDS)
6	FR2P	Plus signal of odd channel 2 (LVDS)	21	SCLKINP	Plus signal of even clock channel (LVDS)
7	GND	Ground	22	SR3M	Minus signal of even channel 3 (LVDS)
8	FCLKINM	Minus signal of odd clock channel (LVDS)	23	SR3P	Plus signal of even channel 3 (LVDS)
9	FCLKINP	Plus signal of odd clock channel (LVDS)	24	MPRT	BDI Control (GND: off, 3.3V:on) Notes 4,5,6
10	FR3M	Minus signal of odd channel 3 (LVDS)	25	NC	No Connection
11	FR3P	Plus signal of odd channel 3 (LVDS)	26	NC	No Connection
12	SR0M	Minus signal of even channel 0 (LVDS)	27	DCR_OUT	Dynamic C/R output
13	SR0P	Plus signal of even channel 0 (LVDS)	28	ODC	ODC Control (GND: off, 3.3V:on)
14	GND	Ground	29	V _{LCD}	Power Supply +12.0V
15	SR1M	Minus signal of even channel 1 (LVDS)	30	V _{LCD}	Power Supply +12.0V

- Note: 1. All GND(ground) pins should be connected together and to V_{ss} which should also be connected to the LCD's metal frame.
2. All V_{LCD} (power input) pins should be connected together.
3. Input Level of LVDS signal is based on the IEA 664 Standard.
4. MPRT and ODC control does not turn on at same time.
5. BL is 100% diming at MPRT on status..
6. On status of MPRT is support dynamic image.

Rear view of LCM

KDF71G-30S-1H

[Figure 4] Connector diagram

Product Specification
Table 4. REQUIRED SIGNAL ASSIGNMENT FOR Flat Link (TI:SN75LVDS83) Transmitter

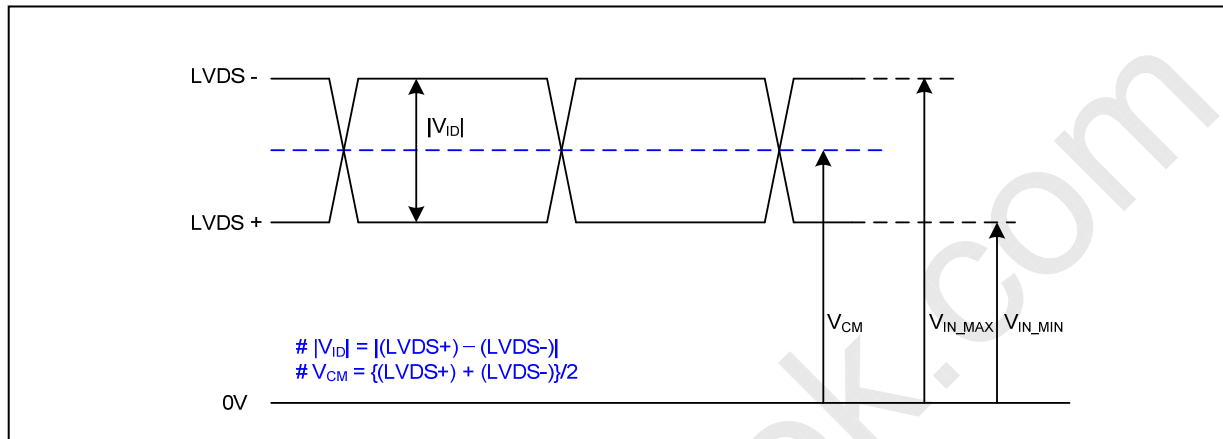
Pin #	Pin Name	Require Signal	Pin #	Pin Name	Require Signal
1	Vcc	Power Supply for TTL Input	29	GND	Ground pin for TTL
2	D5	TTL Input (R7)	30	D26	TTL Input (DE)
3	D6	TTL Input (R5)	31	T _X CLKIN	TTL Level clock Input
4	D7	TTL Input (G0)	32	PWR DWN	Power Down Input
5	GND	Ground pin for TTL	33	PLL GND	Ground pin for PLL
6	D8	TTL Input (G1)	34	PLL Vcc	Power Supply for PLL
7	D9	TTL Input (G2)	35	PLL GND	Ground pin for PLL
8	D10	TTL Input (G6)	36	LVDS GND	Ground pin for LVDS
9	Vcc	Power Supply for TTL Input	37	TxOUT3 +	Positive LVDS differential data output 3
10	D11	TTL Input (G7)	38	TxOUT3 -	Negative LVDS differential data output 3
11	D12	TTL Input (G3)	39	T _X CLKOUT +	Positive LVDS differential clock output
12	D13	TTL Input (G4)	40	T _X CLKOUT -	Negative LVDS differential clock output
13	GND	Ground pin for TTL	41	T _X OUT2 +	Positive LVDS differential data output 2
14	D14	TTL Input (G5)	42	T _X OUT2 -	Negative LVDS differential data output 2
15	D15	TTL Input (B0)	43	LVDS GND	Ground pin for LVDS
16	D16	TTL Input (B6)	44	LVDS Vcc	Power Supply for LVDS
17	Vcc	Power Supply for TTL Input	45	T _X OUT1 +	Positive LVDS differential data output 1
18	D17	TTL Input (B7)	46	T _X OUT1 -	Negative LVDS differential data output 1
19	D18	TTL Input (B1)	47	T _X OUT0 +	Positive LVDS differential data output 0
20	D19	TTL Input (B2)	48	T _X OUT0 -	Negative LVDS differential data output 0
21	GND	Ground pin for TTL Input	49	LVDS GND	Ground pin for LVDS
22	D20	TTL Input (B3)	50	D27	TTL Input (R6)
23	D21	TTL Input (B4)	51	D0	TTL Input (R0)
24	D22	TTL Input (B5)	52	D1	TTL Input (R1)
25	D23	TTL Input (RSVD)	53	GND	Ground pin for TTL
26	Vcc	Power Supply for TTL Input	54	D2	TTL Input (R2)
27	D24	TTL Input (HSYNC)	55	D3	TTL Input (R3)
28	D25	TTL Input (VSYNC)	56	D4	TTL Input (R4)

Notes : Refer to LVDS Transmitter Data Sheet for detail descriptions.

Product Specification

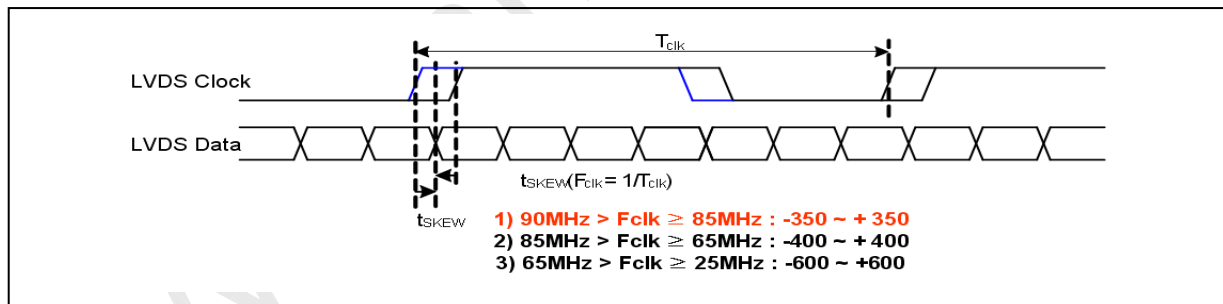
LVDS Input characteristics

1. DC Specification



Description	Symbol	Min	Max	Unit	Notes
LVDS Differential Voltage	$ V_{ID} $	100	600	mV	-
LVDS Common mode Voltage	V_{CM}	0.6	1.8	V	-
LVDS Input Voltage Range	V_{IN}	0.3	2.1	V	-

2. AC Specification

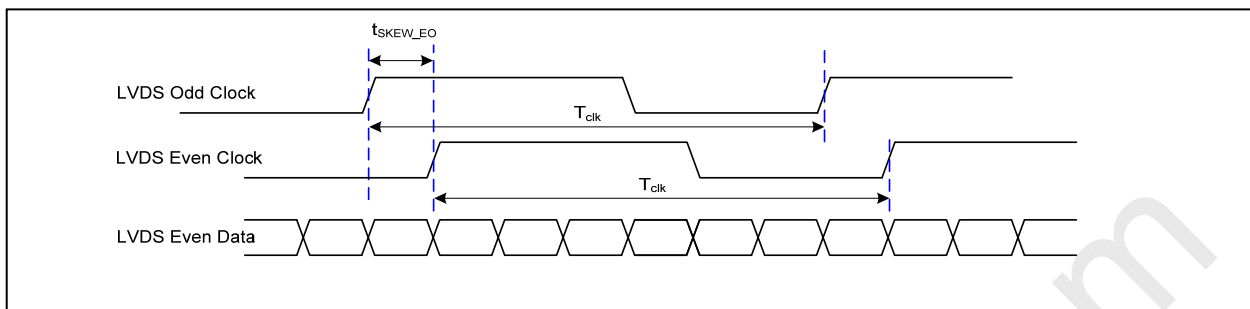


Description	Symbol	Min	Max	Unit	Notes
LVDS Clock to Data Skew Margin	t_{SKEW}	-350	+350	Ps	90MHz > Fclk ≥ 85MHz
	t_{SKEW}	-400	+400	ps	85MHz > Fclk ≥ 65MHz
	t_{SKEW}	-600	+600	ps	65MHz > Fclk ≥ 25MHz
LVDS Clock to Clock Skew Margin (Even to Odd)	t_{SKEW_EO}	-1/7	+1/7	T_{clk}	-
Maximum deviation of input clock frequency during SSC	F_{DEV}	-	±3	%	-
Maximum modulation frequency of input clock during SSC	F_{MOD}	-	200	KHz	-

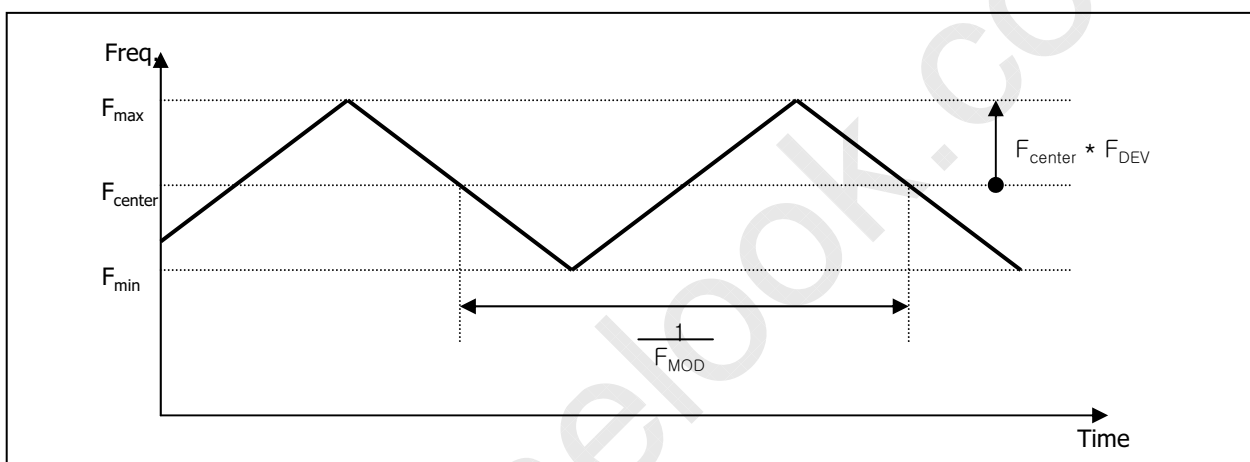


LM270WF1
Liquid Crystal Display

Product Specification



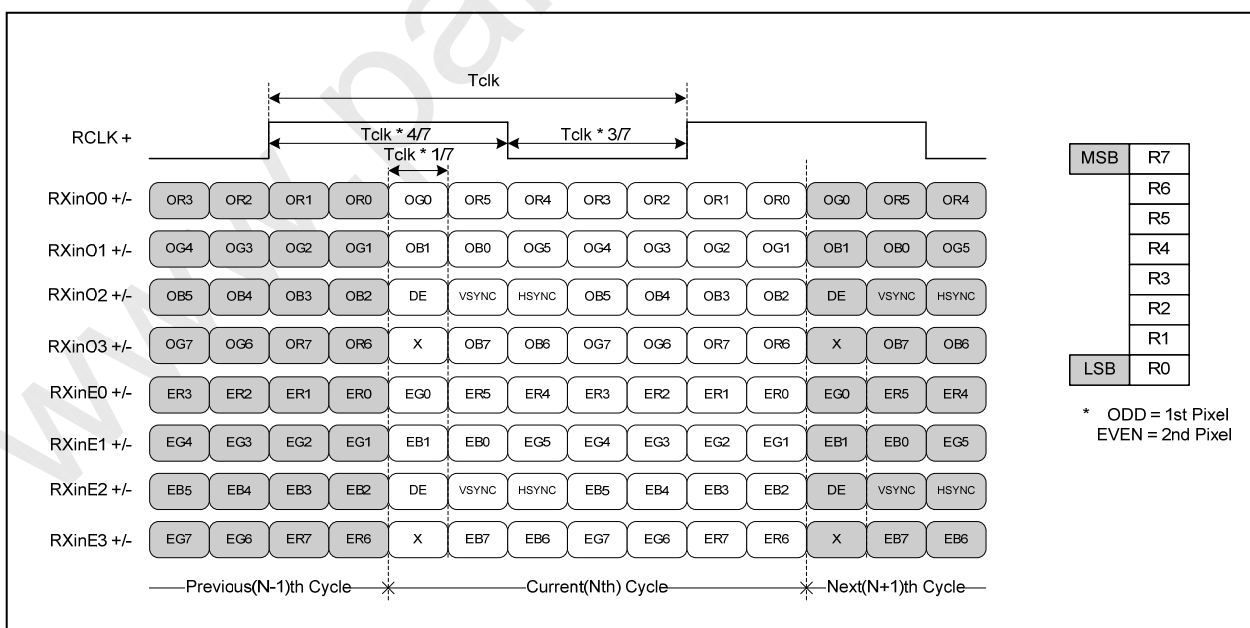
< Clock skew margin between channel >



< Spread Spectrum >

3. Data Format

1) LVDS 2 Port



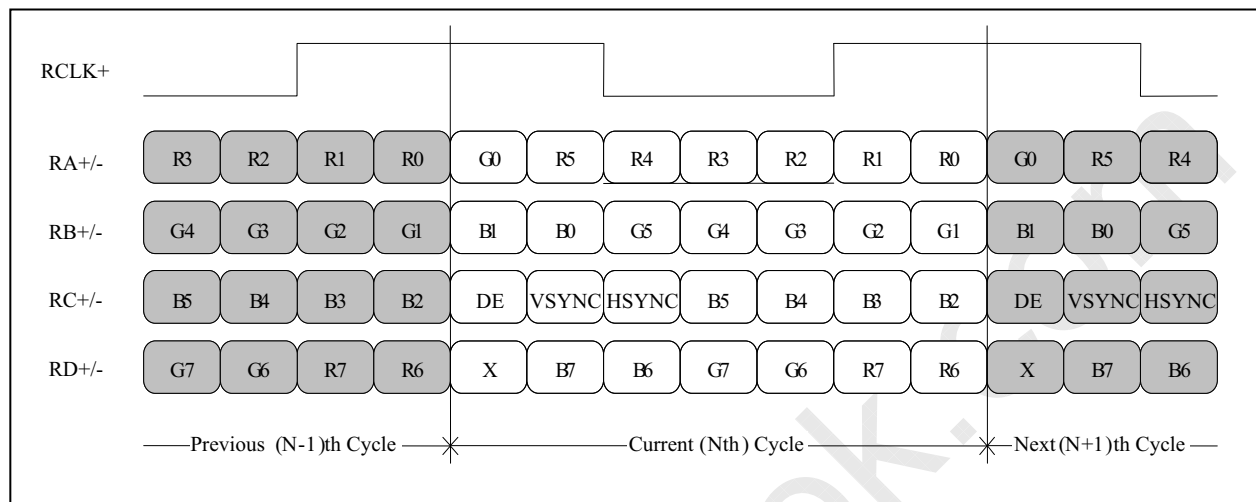
< LVDS Data Format >



LM270WF1
Liquid Crystal Display

Product Specification

2) LVDS 1 Port

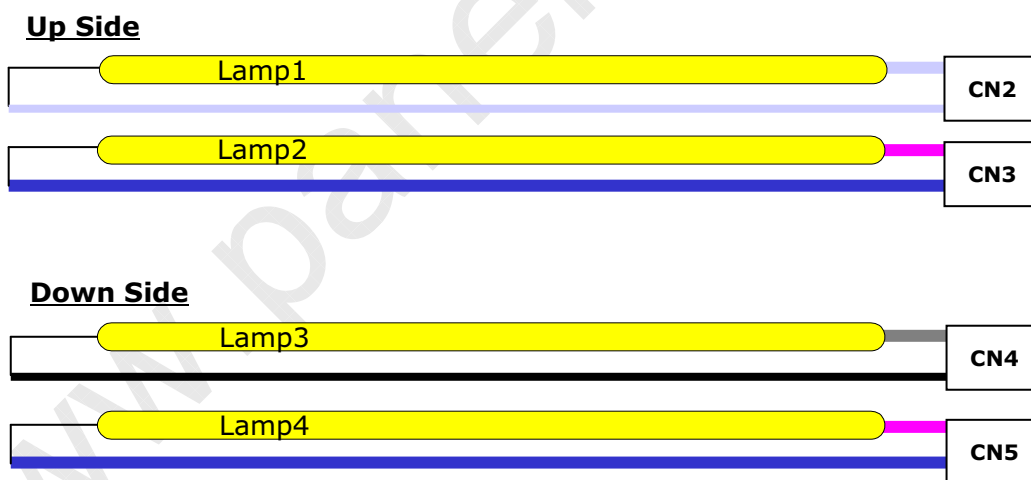


Product Specification
Table 5. BACKLIGHT CONNECTOR PIN CONFIGURATION(CN2,CN3,CN4,CN5)

The backlight interface connector is a model 35001HS-02LD manufactured by Yeonho. The mating connector part number are 35001WR-02L or equivalent. The pin configuration for the connector is shown in the table below.

Pin	Symbol	Description	NOTES
1	HV	High Voltage for Lamp	1
2	LV	Low Voltage for Lamp	1, 2

- Note :
1. The high voltage power terminal is colored **White or Black and Pink**
The low voltage pin color is **White or Black and Blue**.
 2. The backlight ground should be common with LCD metal frame.
 3. 35001HS-02LD (Locking type)


[Figure 5] Backlight connector diagram

Product Specification
3-3. Signal Timing Specifications

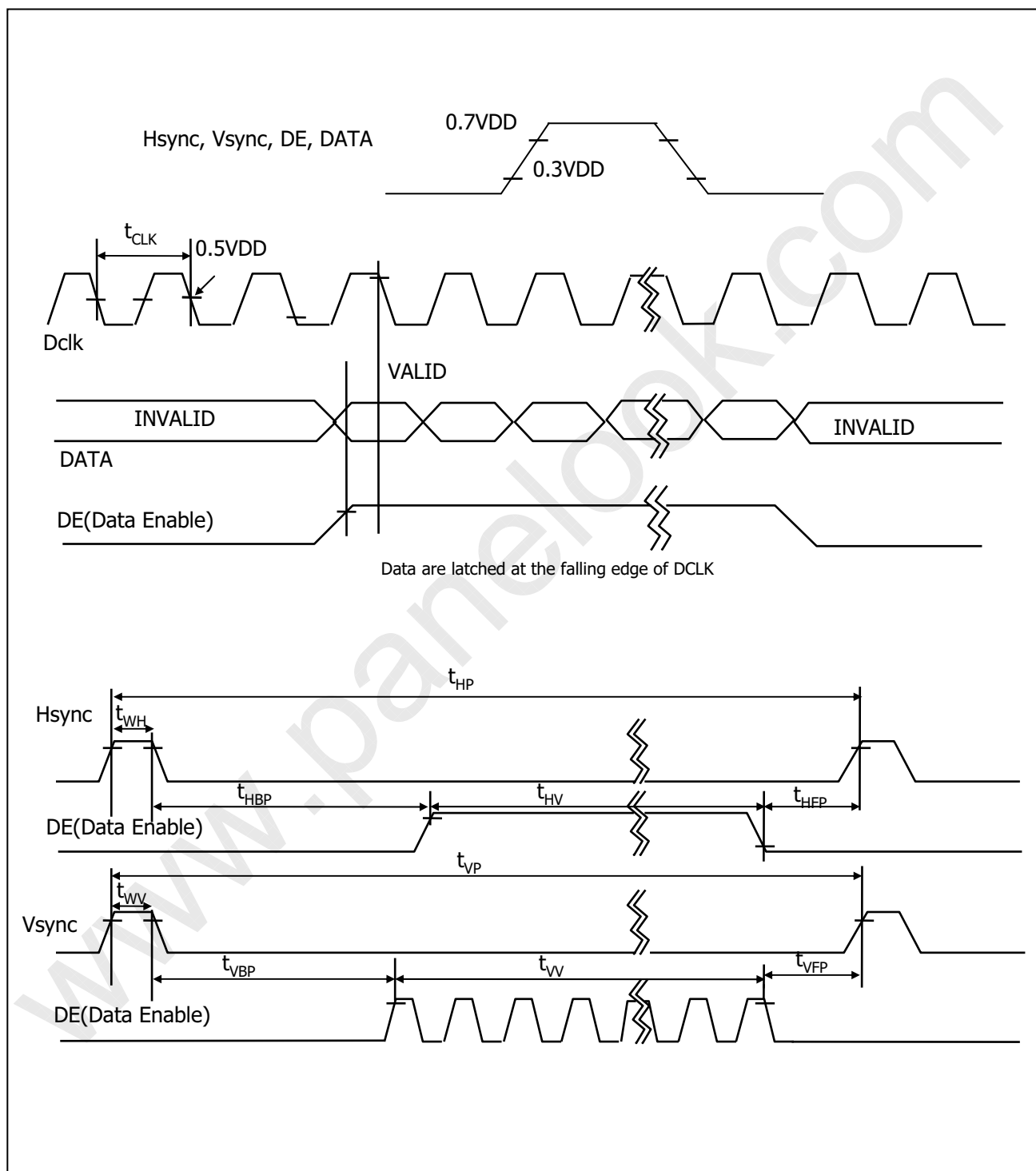
This is signal timing required at the input of the TMDS transmitter. All of the interface signal timing should be satisfied with the following specifications for it's proper operation.

Table 5. TIMING TABLE

ITEM	Symbol		Min	Typ	Max	Unit	Note
DCLK	Period	tCLK	11.76	13.89	15.38	ns	
	Frequency	-	65	72	90	MHz	
Hsync	Period	tHP	1018	1088	1120	tCLK	
	Horizontal Valid	tHV	960	960	960	tCLK	
	Horizontal Blank	tHB	58	128	160		
	Frequency	fH	64	66	88	KHz	
	Width	tWH	18	32	48	tCLK	
	Horizontal Back Porch	tHBP	20	48	64		
	Horizontal Front Porch	tHFP	20	48	48		
Vsync	Period	tVP	1087	1100	1250	tHP	
	Vertical Valid	tVV	1080	1080	1080	tHP	
	Vertical Blank	tVB	7	20	170	tHP	
	Frequency	fV	50	60	75	Hz	
	Width	tWV	1	4	42	tHP	
	Vertical Back Porch	tVBP	5	8	64		
	Vertical Front Porch	tVFP	1	8	64		

Note: Hsync period and Hsync width-active should be even number times of tCLK. If the value is odd number times of tCLK, display control signal can be asynchronous. In order to operate this LCM a Hsync, Vsync, and DE(data enable) signals should be used.

1. The performance of the electro-optical characteristics may be influenced by variance of the vertical refresh rates.
2. Vsync and Hsync should be keep the above specification.
3. Hsync Period, Hsync Width, and Horizontal Back Porch should be any times of of character number(8).
4. The polarity of Hsync, Vsync is not restricted.

Product Specification
3-4. Signal Timing Waveforms


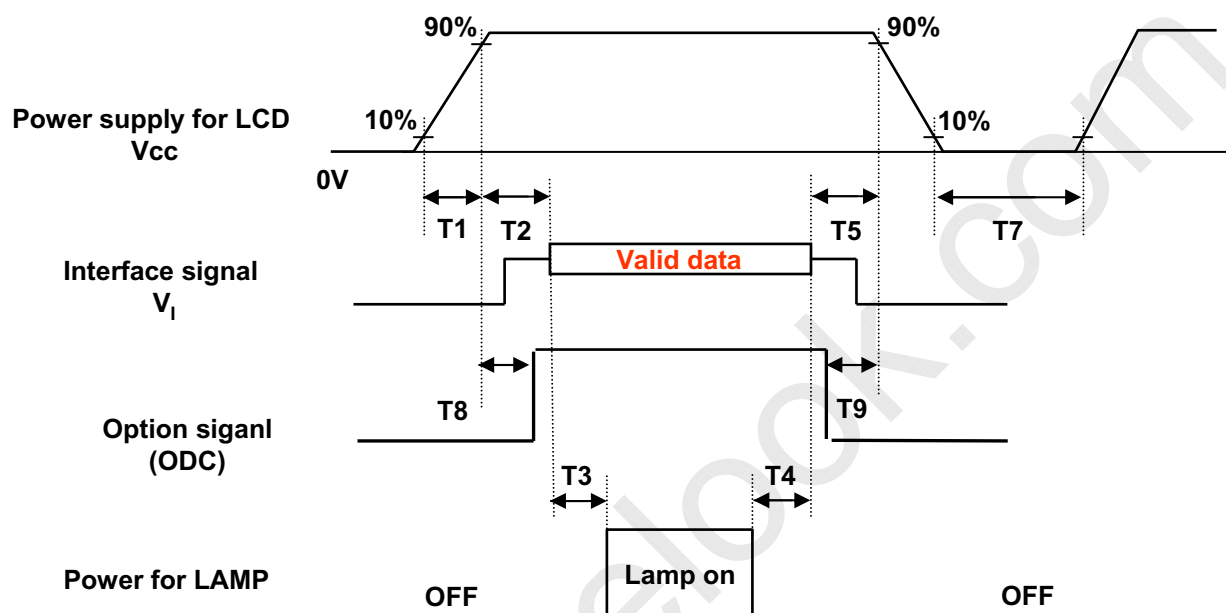
Product Specification
3-5. Color Data Reference

The Brightness of each primary color(red,green,blue) is based on the 8-bit gray scale data input for the color; the higher the binary input, the brighter the color. The table below provides a reference for color versus data input.

Table 6. COLOR DATA REFERENCE

Color		Input Color Data																							
		RED								GREEN								BLUE							
		MSB				LSB				MSB				LSB				MSB				LSB			
		R7	R6	R5	R4	R3	R2	R1	R0	G7	G6	G5	G4	G3	G2	G1	G0	B7	B6	B5	B4	B3	B2	B1	B0
Basic Color	Black	0	0	0	0	0	0	0	0	0	0	0	0	0	0	0	0	0	0	0	0	0	0	0	0
	Red (255)	1	1	1	1	1	1	1	1	0	0	0	0	0	0	0	0	0	0	0	0	0	0	0	0
	Green (255)	0	0	0	0	0	0	0	0	1	1	1	1	1	1	1	1	0	0	0	0	0	0	0	0
	Blue (255)	0	0	0	0	0	0	0	0	0	0	0	0	0	0	0	0	1	1	1	1	1	1	1	1
	Cyan	0	0	0	0	0	0	0	0	1	1	1	1	1	1	1	1	1	1	1	1	1	1	1	1
	Magenta	1	1	1	1	1	1	1	1	0	0	0	0	0	0	0	0	1	1	1	1	1	1	1	1
	Yellow	1	1	1	1	1	1	1	1	1	1	1	1	1	1	1	1	0	0	0	0	0	0	0	0
	White	1	1	1	1	1	1	1	1	1	1	1	1	1	1	1	1	1	1	1	1	1	1	1	1
RED	RED (000) Dark	0	0	0	0	0	0	0	0	0	0	0	0	0	0	0	0	0	0	0	0	0	0	0	0
	RED (001)	0	0	0	0	0	0	0	1	0	0	0	0	0	0	0	0	0	0	0	0	0	0	0	0
							
	RED (254)	1	1	1	1	1	1	1	0	0	0	0	0	0	0	0	0	0	0	0	0	0	0	0	0
	RED (255)	1	1	1	1	1	1	1	1	0	0	0	0	0	0	0	0	0	0	0	0	0	0	0	0
GREEN	GREEN (000) Dark	0	0	0	0	0	0	0	0	0	0	0	0	0	0	0	0	0	0	0	0	0	0	0	0
	GREEN (001)	0	0	0	0	0	0	0	0	0	0	0	0	0	0	0	1	0	0	0	0	0	0	0	0
							
	GREEN (254)	0	0	0	0	0	0	0	0	1	1	1	1	1	1	1	0	0	0	0	0	0	0	0	0
	GREEN (255)	0	0	0	0	0	0	0	0	1	1	1	1	1	1	1	1	0	0	0	0	0	0	0	0
BLUE	BLUE (000) Dark	0	0	0	0	0	0	0	0	0	0	0	0	0	0	0	0	0	0	0	0	0	0	0	0
	BLUE (001)	0	0	0	0	0	0	0	0	0	0	0	0	0	0	0	0	0	0	0	0	0	0	0	1
							
	BLUE (254)	0	0	0	0	0	0	0	0	0	0	0	0	0	0	0	0	1	1	1	1	1	1	1	0
	BLUE (255)	0	0	0	0	0	0	0	0	0	0	0	0	0	0	0	0	1	1	1	1	1	1	1	1

3-6. Power Sequence


Table 7. POWER SEQUENCE

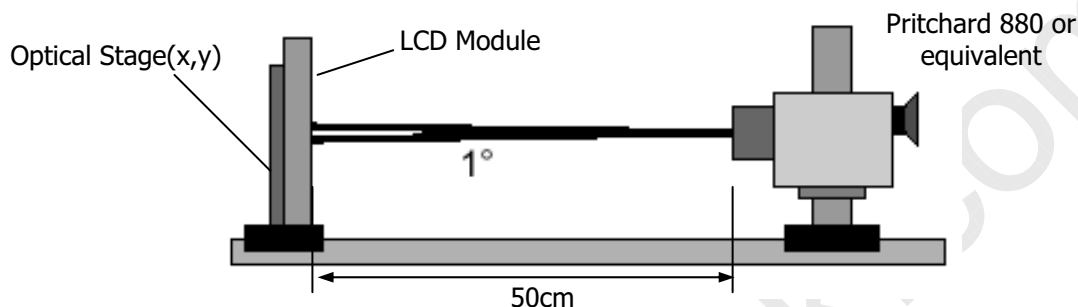
Parameter	Values			Units
	Min	Typ	Max	
T1	0.5	-	10	ms
T2	0.01	-	50	ms
T3	500	-	-	ms
T4	200	-	-	ms
T5	0.01	-	50	ms
T7	300	-	-	ms
T8	0 < T8 < T2			ms
T9	0 < T9 < T5			ms

- Notes :
1. Please avoid floating state of interface signal at invalid period.
 2. When the interface signal is invalid, be sure to pull down the power supply for LCD V_{LCD} to 0V.
 3. Lamp power must be turn on after power supply for LCD and interface signal are valid.

Product Specification
4. Optical Specifications

Optical characteristics are determined after the unit has been 'ON' for approximately 30 minutes in a dark environment at $25 \pm 2^\circ\text{C}$. The values specified are at an approximate distance 50cm from the LCD surface at a viewing angle of Φ and θ equal to 0° and aperture 1 degree.

FIG. 1 presents additional information concerning the measurement equipment and method.


FIG. 6 Optical Characteristic Measurement Equipment and Method
Table 9. OPTICAL CHARACTERISTICS
 $(T_a=25^\circ\text{C}, V_{\text{LCD}}=12.0\text{V}, f_v=60\text{Hz Dclk}=144\text{MHz}, \text{IBL}=7\text{mA})$

Parameter	Symbol	Values			Units	Notes	
		Min	Typ	Max			
Contrast Ratio	CR	700	1000			1	
Surface Luminance, white	L_{WH}	250	300		cd/m^2	2	
Luminance Variation	δ_{WHITE}	75			%	3	
Response Time	Rise Time	T_{R}	-	1	4	ms	4
	Decay Time	T_{D}	-	4	8	ms	4
	Gray to Gray	T_{GTG}		2	6	ms	5
	MPRT	T_{MPRT}		10	15	ms	6
Color Coordinates [CIE1931]	RED	R_x	Typ -0.03	0.637	Typ +0.03		
		R_y		0.337			
	GREEN	G_x		0.298			
		G_y		0.613			
	BLUE	B_x		0.147			
		B_y		0.057			
	WHITE	W_x		0.313			
	W_y	0.329					
Color Gamut	-	-	72	-	%		
Viewing Angle (CR>5)							
	x axis, right($\phi=0^\circ$)	θ_r	75	88		Degree	7
	x axis, left ($\phi=180^\circ$)	θ_l	75	88			
	y axis, up ($\phi=90^\circ$)	θ_u	70	85			
	y axis, down ($\phi=270^\circ$)	θ_d	70	85			
Viewing Angle (CR>10)							
	x axis, right($\phi=0^\circ$)	θ_r	70	85		Degree	7
	x axis, left ($\phi=180^\circ$)	θ_l	70	85			
	y axis, up ($\phi=90^\circ$)	θ_u	60	75			
	y axis, down ($\phi=270^\circ$)	θ_d	70	85			
Gray Scale				2.2			8

Product Specification

Notes 1. **Contrast Ratio(CR)** is defined mathematically as :

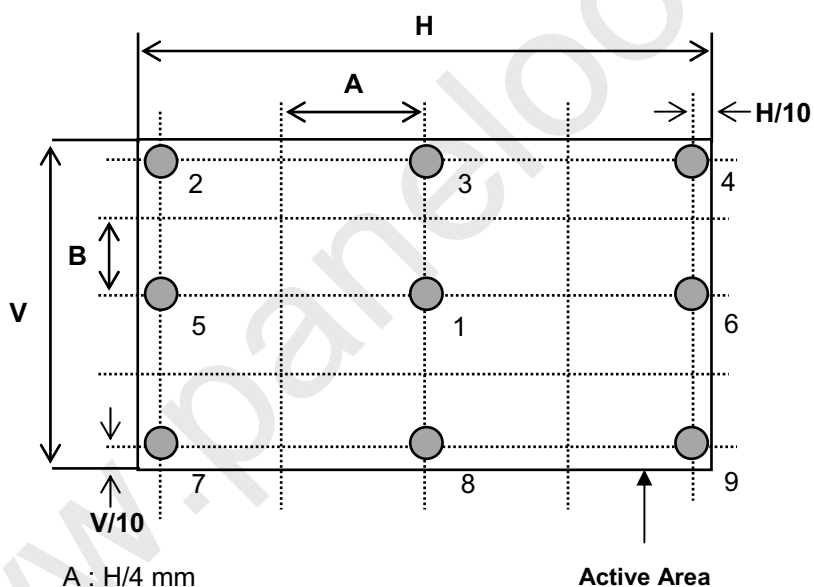
$$\text{Contrast Ratio} = \frac{\text{Surface Luminance with all white pixels}}{\text{Surface Luminance with all black pixels}}$$

2. **Surface luminance** is luminance value at No.1 point across the LCD surface 50cm from the surface with all pixels displaying white. For more information see FIG 6.

3. **The variation in surface luminance , δ WHITE** is defined as :

$$\delta_{\text{WHITE}} = \frac{\text{Minimum}(L_{\text{on}1}, L_{\text{on}2}, \dots, L_{\text{on}9})}{\text{Maximum}(L_{\text{on}1}, L_{\text{on}2}, \dots, L_{\text{on}9})} \times 100(\%)$$

Measuring point for surface luminance & measuring point for luminance variation



A : H/4 mm
 B : V/4 mm
 @ H,V : Active Area

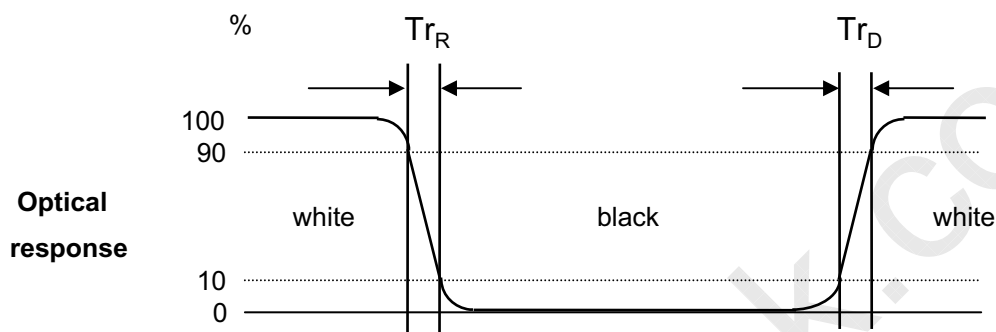
[FIGURE 7] Measure Point for Luminance



LM270WF1
Liquid Crystal Display

Product Specification

4. **The response time** is defined as the following figure and shall be measured by switching the input signal for "black" and "white".
Response time is the time required for the display to transition from white to black (Rise Time, T_{rR}) and from black to white (Decay Time, T_{rD}).



[FIGURE 8] Response Time

5, The **gray to gray response time** is defined as the following figure and shall be measured by switching the input signal for "Gray To Gray".

- Gray step : 5 step
- T_{GTG_AVR} is the total average time at rising time and falling time for "Gray To Gray".
- T_{GTG_MAX} is the max time at rising time or falling time for "Gray To Gray".

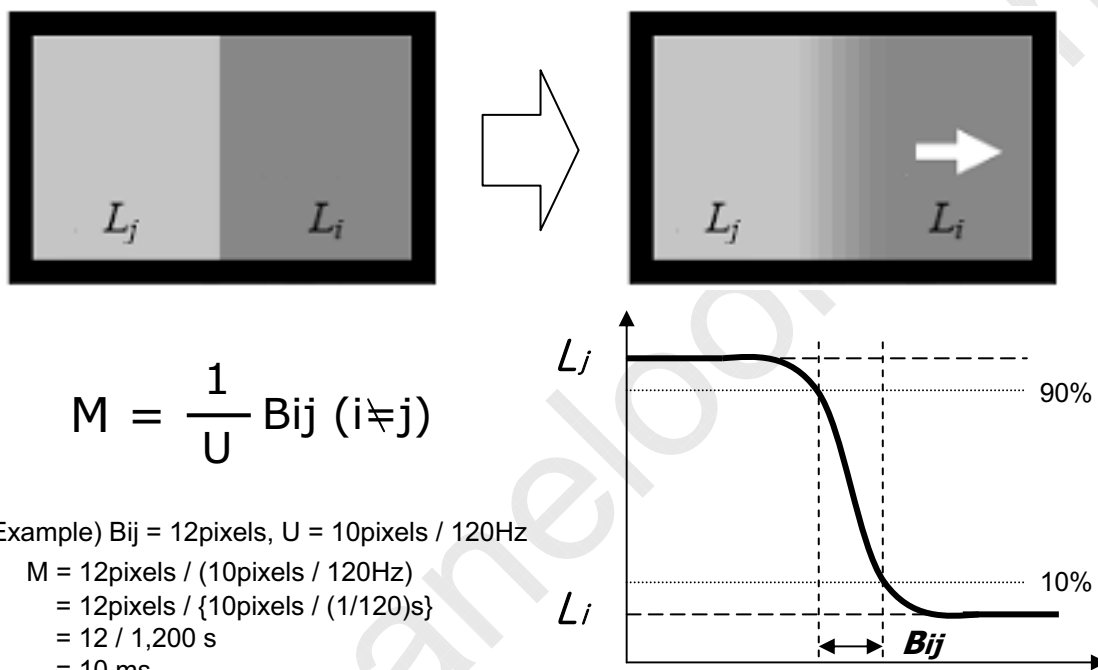
Table 10. Gray to gray response time table

Gray to Gray		Rising Time				
		G255	G191	G127	G63	G0
Falling Time	G255					
	G191					
	G127					
	G63					
	G0					

Product Specification

6. MPRT is defined as the 10% to 90% blur-edge width B_{ij} (pixels) and scroll speed U (pixels/frame) at the moving picture.

MPRT is defined as 10% to 90% blur-edge with B_{ij} (pixels) and scroll speed U (pixels/frame) at the moving picture.

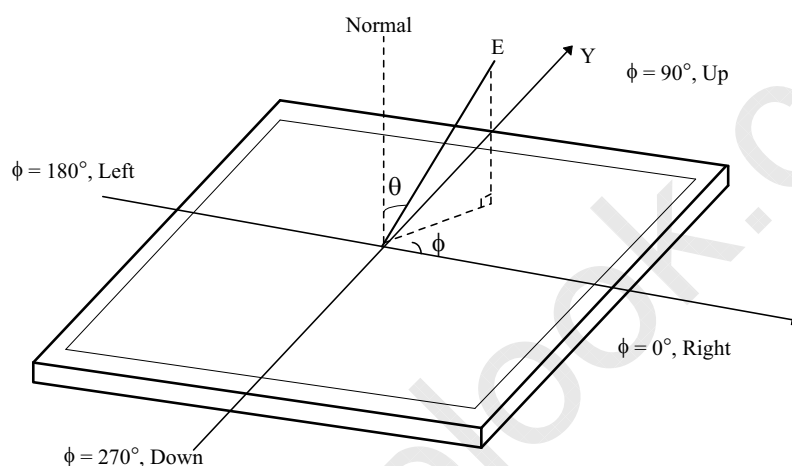


[FIGURE 9] MPRT

Product Specification

7. **Viewing angle** is the angle at which the contrast ratio is greater than 10 or 5. The angles are determined for the horizontal or x axis and the vertical or y axis with respect to the z axis which is normal to the LCD surface. For more information see FIG. 9 .

<Dimension of viewing angle range>



[FIGURE 10] Viewing angle

8, **Gray scale** specification

Gamma Value is approximately 2.2. For more information see Table 11

Table 11. Gray Scale Specification

Gray Level	Relative Luminance [%] (Typ.)
0	0.1
31	1.2
63	4.7
95	11.7
127	21.2
159	35.2
191	53.0
223	75.4
255	100

Product Specification
5. Mechanical Characteristics

The contents provide general mechanical characteristics. In addition the figures in the next page are detailed mechanical drawing of the LCD.

Outline Dimension	Horizontal	630mm
	Vertical	368.2mm
	Depth	21.6mm
Bezel Area	Horizontal	602mm
	Vertical	340.4mm
Active Display Area	Horizontal	597.89mm
	Vertical	336.31mm
Weight	Typ : 3720g, Max : 3910g	
Surface Treatment	Hard coating(3H) Anti-glare treatment of the front polarizer	

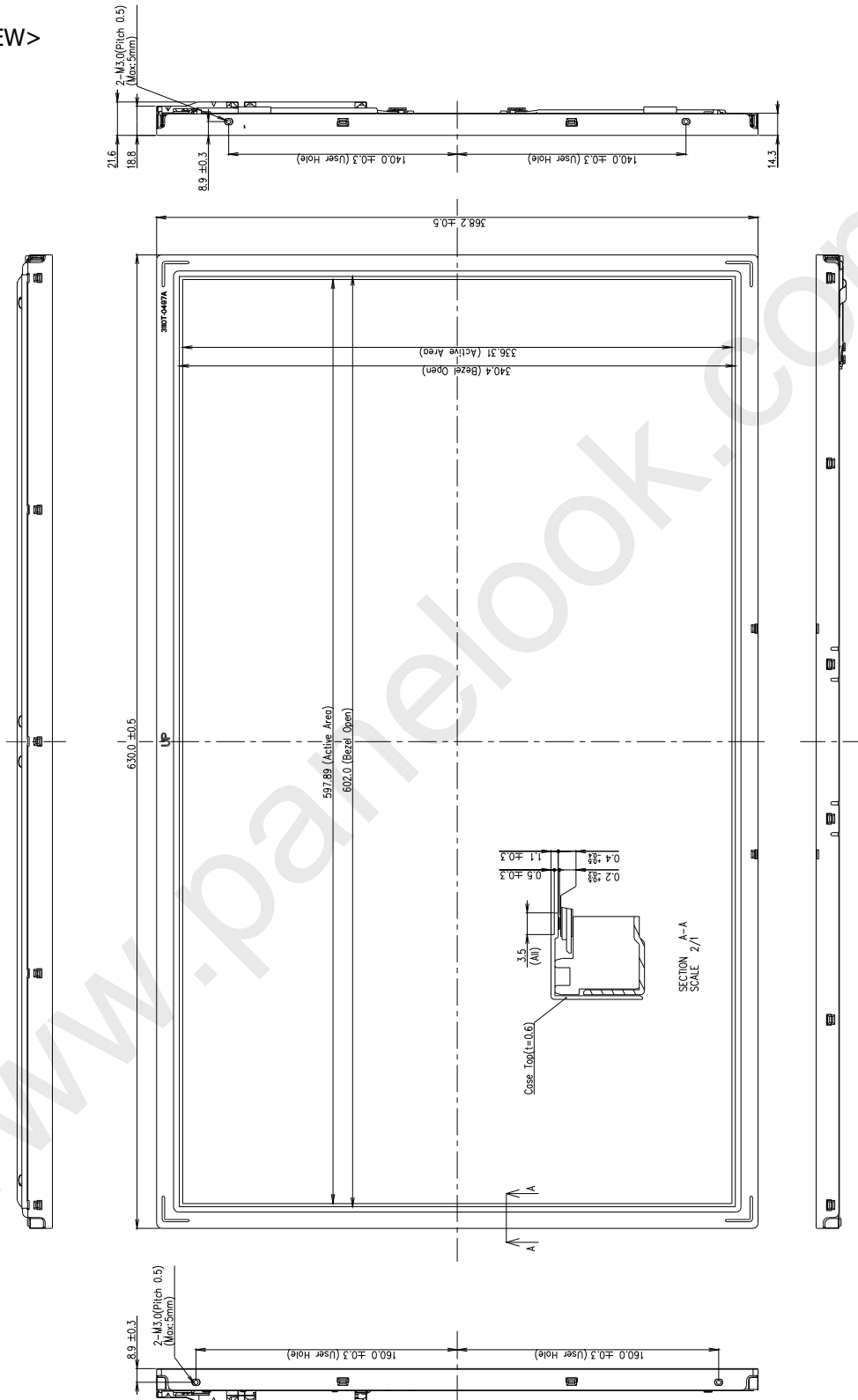
Notes : Please refer to a mechanic drawing in terms of tolerance at the next page.



LM270WF1
Liquid Crystal Display

Product Specification

<FRONT VIEW>

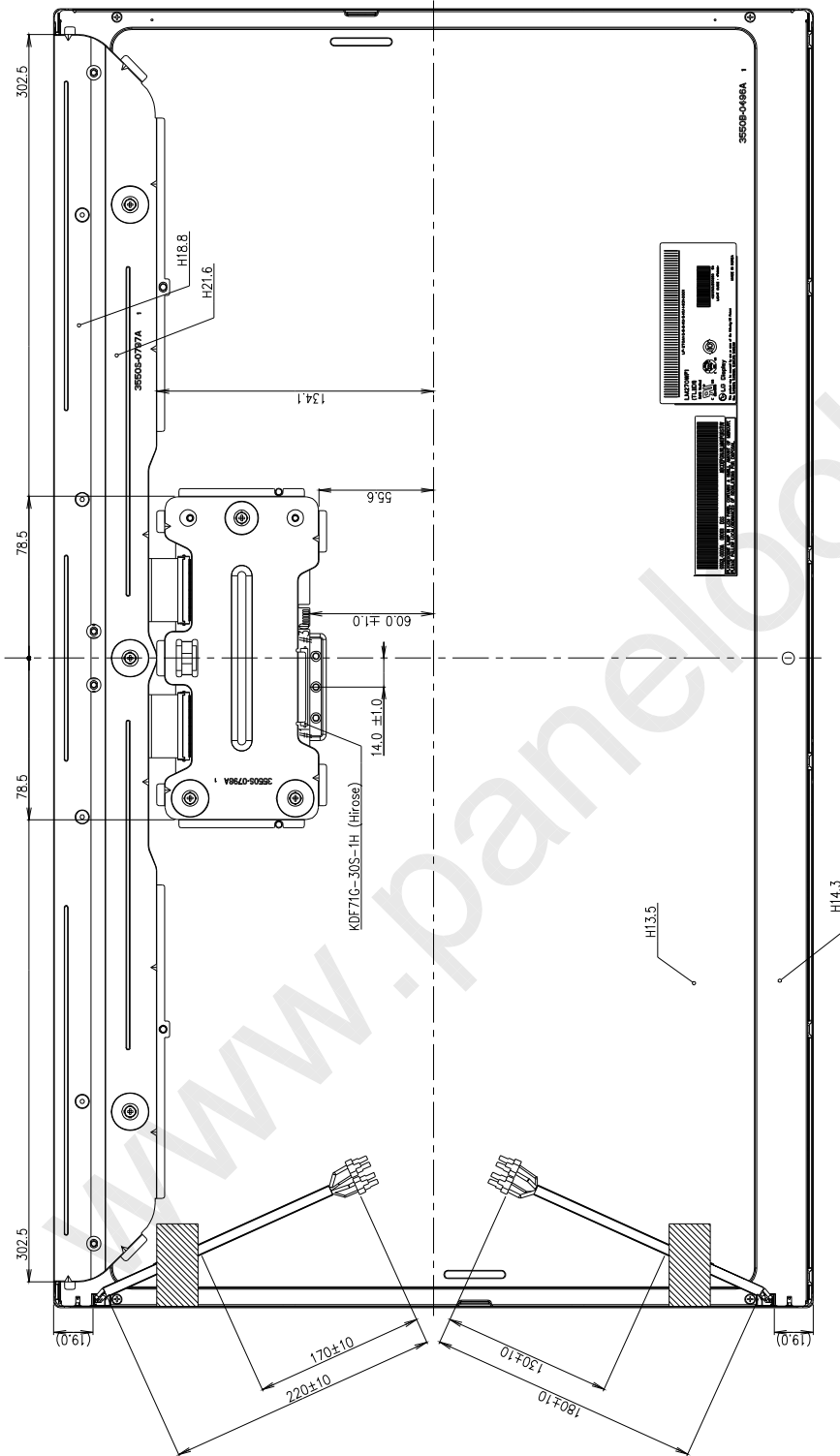




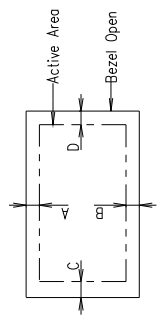
LM270WF1
Liquid Crystal Display

Product Specification

<REAR VIEW>



- Notes
1. Backlight : 4 Cold Cathode Fluorescent Lamps.
 2. I/F Connector Specification : KDF71G-30S-1H(Hirose) or Equivalent
 3. Lamp Connector Specification : 35001HS-02LD(Yeonho) or Compatible
 4. Torque of user hole : 2.5~3.5 kgf-cm
 5. Tilt and partial disposition tolerance of display area as following
 - (1) Y-Direction : |A-B| ≦ 1.4
 - (2) X-Direction : |C-D| ≦ 1.4



6. Do not wind conductive tape around the backlight wires
7. Unspecified tolerances to be ± 0.5mm

Product Specification
6. Reliability

Environment test condition

No	Test Item	Condition
1	High temperature storage test	Ta= 60°C 240h
2	Low temperature storage test	Ta= -20°C 240h
3	High temperature operation test	Ta= 50°C 50%RH 240h
4	Low temperature operation test	Ta= 0°C 240h
5	Vibration test (non-operating)	Wave form : random Vibration level : 1.0Grms Bandwidth : 10-300Hz Duration : X,Y,Z, 10min One time each direction
6	Shock test (non-operating)	Shock level : 100G Waveform : half sine wave, 2ms Direction : ± X, ± Y, ± Z One time each direction
7	Humidity condition Operation	Ta= 40 °C ,90%RH
8	Altitude storage / shipment	0 - 40,000 feet(12192m)
9	Maximum Storage Humidity for 4 corner light leakage Mura.	Max 70%RH , Ta=40°C

Product Specification**7. International Standards****7-1. Safety**

- a) UL 60950-1:2003, First Edition, Underwriters Laboratories, Inc., Standard for Safety of Information Technology Equipment.
- b) CAN/CSA C22.2, No. 60950-1-03 1st Ed. April 1, 2003, Canadian Standards Association, Standard for Safety of Information Technology Equipment.
- c) EN 60950-1:2001, First Edition, European Committee for Electro technical Standardization(CENELEC) European Standard for Safety of Information Technology Equipment.

7-2. EMC

- a) ANSI C63.4 "Methods of Measurement of Radio-Noise Emissions from Low-Voltage Electrical and Electrical Equipment in the Range of 9kHz to 40GHz." American National Standards Institute(ANSI), 1992
- b) C.I.S.P.R. "Limits and Methods of Measurement of Radio Interface Characteristics of Information Technology Equipment." International Special Committee on Radio Interference.
- c) EN 55022 "Limits and Methods of Measurement of Radio Interface Characteristics of Information Technology Equipment." European Committee for Electro technical Standardization.(CENELEC), 1998 (Including A1: 2000)



LM270WF1
Liquid Crystal Display

Product Specification

8. Packing

8-1. Designation of Lot Mark

a) Lot Mark

A	B	C	D	E	F	G	H	I	J	K	L	M
---	---	---	---	---	---	---	---	---	---	---	---	---

A,B,C : SIZE(INCH)

E : MONTH

D : YEAR

F ~ M : SERIAL NO.

Note

1. YEAR

Year	2001	2002	2003	2004	2005	2006	2007	2008	2009	2010
Mark	1	2	3	4	5	6	7	8	9	0

2. MONTH

Month	Jan	Feb	Mar	Apr	May	Jun	Jul	Aug	Sep	Oct	Nov	Dec
Mark	1	2	3	4	5	6	7	8	9	A	B	C

b) Location of Lot Mark

Serial No. is printed on the label. The label is attached to the backside of the LCD module.
This is subject to change without prior notice.

8-2. Packing Form

a) Package quantity in one box : 7ea

b) Box Size : 747 X 335 X 466

Product Specification**9. PRECAUTIONS**

Please pay attention to the followings when you use this TFT LCD module.

9-1. MOUNTING PRECAUTIONS

- (1) You must mount a module using holes arranged in four corners or four sides.
- (2) You should consider the mounting structure so that uneven force (ex. Twisted stress) is not applied to the module. And the case on which a module is mounted should have sufficient strength so that external force is not transmitted directly to the module.
- (3) Please attach the surface transparent protective plate to the surface in order to protect the polarizer. Transparent protective plate should have sufficient strength in order to resist external force.
- (4) You should adopt radiation structure to satisfy the temperature specification.
- (5) Acetic acid type and chlorine type materials for the cover case are not desirable because the former generates corrosive gas of attacking the polarizer at high temperature and the latter causes circuit break by electro-chemical reaction.
- (6) Do not touch, push or rub the exposed polarizers with glass, tweezers or anything harder than HB pencil lead. And please do not rub with dust clothes with chemical treatment. Do not touch the surface of polarizer for bare hand or greasy cloth.(Some cosmetics are detrimental to the polarizer.)
- (7) When the surface becomes dusty, please wipe gently with absorbent cotton or other soft materials like chamois soaks with petroleum benzene. Normal-hexane is recommended for cleaning the adhesives used to attach front / rear polarizers. Do not use acetone, toluene and alcohol because they cause chemical damage to the polarizer.
- (8) Wipe off saliva or water drops as soon as possible. Their long time contact with polarizer causes deformations and color fading.
- (9) Do not open the case because inside circuits do not have sufficient strength.

9-2. OPERATING PRECAUTIONS

- (1) The spike noise causes the mis-operation of circuits. It should be lower than following voltage :
 $V = \pm 200\text{mV}$ (Over and under shoot voltage)
- (2) Response time depends on the temperature.(In lower temperature, it becomes longer.)
- (3) Brightness depends on the temperature. (In lower temperature, it becomes lower.)
And in lower temperature, response time(required time that brightness is stable after turned on) becomes longer.
- (4) Be careful for condensation at sudden temperature change. Condensation makes damage to polarizer or electrical contacted parts. And after fading condensation, smear or spot will occur.
- (5) When fixed patterns are displayed for a long time, remnant image is likely to occur.
- (6) Module has high frequency circuits. Sufficient suppression to the electromagnetic interference shall be done by system manufacturers. Grounding and shielding methods may be important to minimized the interference.
- (7) Please do not give any mechanical and/or acoustical impact to LCM. Otherwise, LCM can't be operated its full characteristics perfectly.
- (8) A screw which is fastened up the steels should be a machine screw.
(if not, it causes metallic foreign material and deal LCM a fatal blow)
- (9) Please do not set LCD on its edge.

Product Specification**9-3. ELECTROSTATIC DISCHARGE CONTROL**

Since a module is composed of electronic circuits, it is not strong to electrostatic discharge. Make certain that treatment persons are connected to ground through wrist band etc. And don't touch interface pin directly.

9-4. PRECAUTIONS FOR STRONG LIGHT EXPOSURE

Strong light exposure causes degradation of polarizer and color filter.

9-5. STORAGE

When storing modules as spares for a long time, the following precautions are necessary.

- (1) Store them in a dark place. Do not expose the module to sunlight or fluorescent light. Keep the temperature between 5°C and 35°C at normal humidity.
- (2) The polarizer surface should not come in contact with any other object.
It is recommended that they be stored in the container in which they were shipped.

9-6. HANDLING PRECAUTIONS FOR PROTECTION FILM

- (1) The protection film is attached to the bezel with a small masking tape.
When the protection film is peeled off, static electricity is generated between the film and polarizer.
This should be peeled off slowly and carefully by people who are electrically grounded and with well ion-blown equipment or in such a condition, etc.
- (2) When the module with protection film attached is stored for a long time, sometimes there remains a very small amount of glue still on the bezel after the protection film is peeled off.
- (3) You can remove the glue easily. When the glue remains on the bezel surface or its vestige is recognized, please wipe them off with absorbent cotton waste or other soft material like chamois soaked with normal-hexane.