

## LM2907/LM2917 Frequency to Voltage Converter

Check for Samples: [LM2907-N](#), [LM2917-N](#)

### FEATURES

- **Ground Referenced Tachometer Input Interfaces Directly With Variable Reluctance Magnetic Pickups**
- **Op Amp/Comparator Has Floating Transistor Output**
- **50 mA Sink or Source to Operate Relays, Solenoids, Meters, or LEDs**
- **Frequency Doubling For Low Ripple**
- **Tachometer Has Built-In Hysteresis With Either Differential Input or Ground Referenced Input**
- **Built-In Zener on LM2917**
- **±0.3% Linearity Typical**
- **Ground Referenced Tachometer is Fully Protected From Damage Due to Swings Above  $V_{CC}$  and Below Ground**

### APPLICATIONS

- **Over/Under Speed Sensing**
- **Frequency to Voltage Conversion (Tachometer)**
- **Speedometers**
- **Breaker Point Dwell Meters**
- **Hand-Held Tachometer**
- **Speed Governors**
- **Cruise Control**
- **Automotive Door Lock Control**
- **Clutch Control**
- **Horn Control**
- **Touch or Sound Switches**

### ADVANTAGES

- **Output Swings to Ground For Zero Frequency Input**
- **Easy to Use;  $V_{OUT} = f_{IN} \times V_{CC} \times R1 \times C1$**
- **Only One RC Network provides Frequency Doubling**
- **Zener Regulator on Chip allows Accurate and Stable Frequency to Voltage or Current Conversion (LM2917)**

### DESCRIPTION

The LM2907, LM2917 series are monolithic frequency to voltage converters with a high gain op amp/comparator designed to operate a relay, lamp, or other load when the input frequency reaches or exceeds a selected rate. The tachometer uses a charge pump technique and offers frequency doubling for low ripple, full input protection in two versions (LM2907-8, LM2917-8) and its output swings to ground for a zero frequency input.

The op amp/comparator is fully compatible with the tachometer and has a floating transistor as its output. This feature allows either a ground or supply referred load of up to 50 mA. The collector may be taken above  $V_{CC}$  up to a maximum  $V_{CE}$  of 28V.

The two basic configurations offered include an 8-pin device with a *ground referenced tachometer* input and an internal connection between the tachometer output and the op amp non-inverting input. This version is well suited for single speed or frequency switching or fully buffered frequency to voltage conversion applications.

The more versatile configurations provide differential tachometer input and uncommitted op amp inputs. With this version the tachometer input may be floated and the op amp becomes suitable for active filter conditioning of the tachometer output.

Both of these configurations are available with an active shunt regulator connected across the power leads. The regulator clamps the supply such that stable frequency to voltage and frequency to current operations are possible with any supply voltage and a suitable resistor.



Please be aware that an important notice concerning availability, standard warranty, and use in critical applications of Texas Instruments semiconductor products and disclaimers thereto appears at the end of this data sheet.

All trademarks are the property of their respective owners.

CONNECTION DIAGRAMS

PDIP and SOIC Packages, Top Views

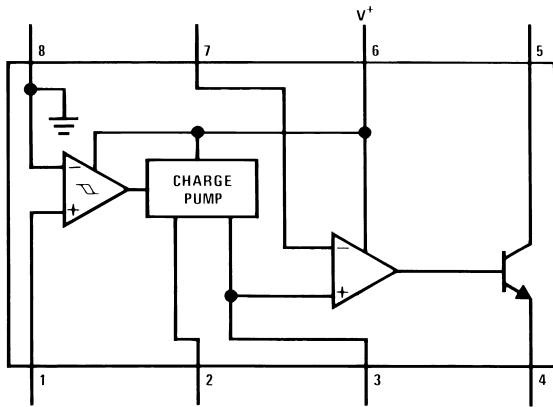


Figure 1. See Package Number D0008A or P0008E

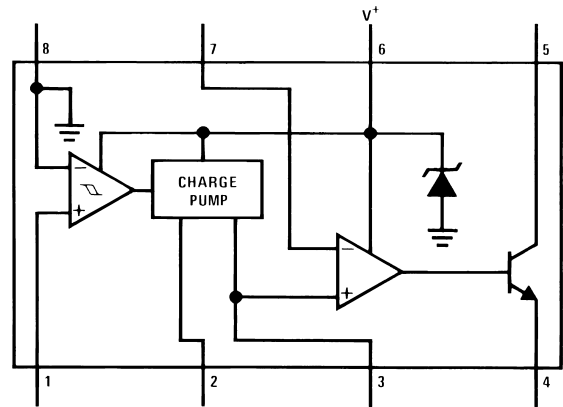


Figure 2. See Package Number D0008A or P0008E

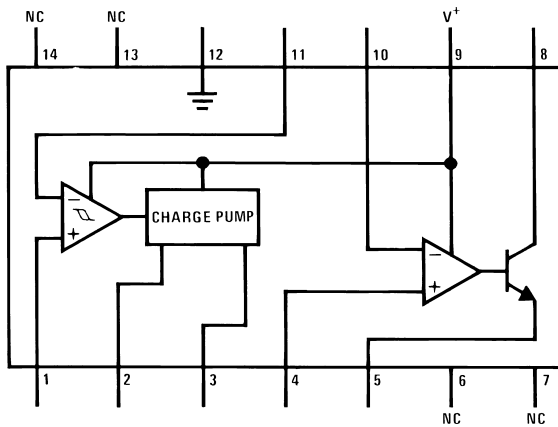


Figure 3. See Package Number D0014A or NFF0014A

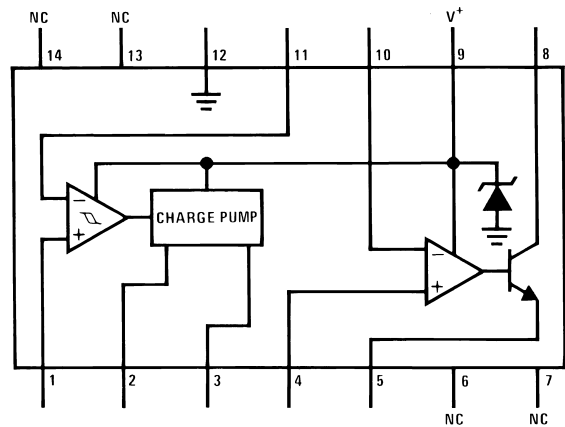


Figure 4. See Package Number D0014A or NFF0014A



These devices have limited built-in ESD protection. The leads should be shorted together or the device placed in conductive foam during storage or handling to prevent electrostatic damage to the MOS gates.

## ABSOLUTE MAXIMUM RATINGS<sup>(1)(2)</sup>

Supply Voltage		28V
Supply Current (Zener Options)		25 mA
Collector Voltage		28V
Differential Input Voltage	Tachometer	28V
	Op Amp/Comparator	28V
Input Voltage Range	Tachometer	LM2907-8, LM2917-8
		LM2907, LM2917
	Op Amp/Comparator	0.0V to +28V
Power Dissipation	LM2907-8, LM2917-8	1200 mW
	LM2907-14, LM2917-14 <sup>(1)</sup>	1580 mW
Operating Temperature Range		-40°C to +85°C
Storage Temperature Range		-65°C to +150°C
Soldering Information	PDIP Package	Soldering (10 seconds)
	SOIC Package	Vapor Phase (60 seconds)
		Infrared (15 seconds)

- (1) For operation in ambient temperatures above 25°C, the device must be derated based on a 150°C maximum junction temperature and a thermal resistance of 101°C/W junction to ambient for LM2907-8 and LM2917-8, and 79°C/W junction to ambient for LM2907-14 and LM2917-14.
- (2) If Military/Aerospace specified devices are required, please contact the Texas Instruments Sales Office/ Distributors for availability and specifications.

## ELECTRICAL CHARACTERISTICS

$V_{CC} = 12 V_{DC}$ ,  $T_A = 25^\circ C$ , see test circuit

Symbol	Parameter	Conditions	Min	Typ	Max	Units
<b>TACHOMETER</b>						
	Input Thresholds	$V_{IN} = 250 \text{ mVp-p @ } 1 \text{ kHz}^{(1)}$	±10	±25	±40	mV
	Hysteresis	$V_{IN} = 250 \text{ mVp-p @ } 1 \text{ kHz}^{(1)}$		30		mV
	Offset Voltage	$V_{IN} = 250 \text{ mVp-p @ } 1 \text{ kHz}^{(1)}$				
	LM2907/LM2917			3.5	10	mV
	LM2907-8/LM2917-8			5	15	mV
	Input Bias Current	$V_{IN} = \pm 50 \text{ mV}_{DC}$		0.1	1	µA
$V_{OH}$	Pin 2	$V_{IN} = +125 \text{ mV}_{DC}^{(2)}$		8.3		V
$V_{OL}$	Pin 2	$V_{IN} = -125 \text{ mV}_{DC}^{(2)}$		2.3		V
$I_2, I_3$	Output Current	$V_2 = V_3 = 6.0V^{(3)}$	140	180	240	µA
$I_3$	Leakage Current	$I_2 = 0, V_3 = 0$			0.1	µA
K	Gain Constant	See <sup>(2)</sup>	0.9	1.0	1.1	
	Linearity	$f_{IN} = 1 \text{ kHz}, 5 \text{ kHz}, 10 \text{ kHz}^{(4)}$	-1.0	0.3	+1.0	%
<b>OP/AMP COMPARATOR</b>						
$V_{OS}$		$V_{IN} = 6.0V$		3	10	mV
$I_{BIAS}$		$V_{IN} = 6.0V$		50	500	nA
	Input Common-Mode Voltage		0		$V_{CC} - 1.5V$	V

- (1) Hysteresis is the sum  $+V_{TH} - (-V_{TH})$ , offset voltage is their difference. See test circuit.
- (2)  $V_{OH}$  is equal to  $\frac{3}{4} \times V_{CC} - 1 V_{BE}$ ,  $V_{OL}$  is equal to  $\frac{1}{4} \times V_{CC} - 1 V_{BE}$  therefore  $V_{OH} - V_{OL} = V_{CC}/2$ . The difference,  $V_{OH} - V_{OL}$ , and the mirror gain,  $I_2/I_3$ , are the two factors that cause the tachometer gain constant to vary from 1.0.
- (3) Be sure when choosing the time constant  $R1 \times C1$  that  $R1$  is such that the maximum anticipated output voltage at pin 3 can be reached with  $I_3 \times R1$ . The maximum value for  $R1$  is limited by the output resistance of pin 3 which is greater than 10 MΩ typically.
- (4) Nonlinearity is defined as the deviation of  $V_{OUT}$  (@ pin 3) for  $f_{IN} = 5 \text{ kHz}$  from a straight line defined by the  $V_{OUT}$  @ 1 kHz and  $V_{OUT}$  @ 10 kHz.  $C1 = 1000 \text{ pF}$ ,  $R1 = 68k$  and  $C2 = 0.22 \text{ mF}$ .

**ELECTRICAL CHARACTERISTICS (continued)**

$V_{CC} = 12 V_{DC}$ ,  $T_A = 25^{\circ}C$ , see test circuit

Symbol	Parameter	Conditions	Min	Typ	Max	Units
	Voltage Gain			200		V/mV
	Output Sink Current	$V_C = 1.0$	40	50		mA
	Output Source Current	$V_E = V_{CC} - 2.0$		10		mA
	Saturation Voltage	$I_{SINK} = 5 \text{ mA}$		0.1	0.5	V
		$I_{SINK} = 20 \text{ mA}$			1.0	V
		$I_{SINK} = 50 \text{ mA}$		1.0	1.5	V
<b>ZENER REGULATOR</b>						
	Regulator Voltage	$R_{DROP} = 470\Omega$		7.56		V
	Series Resistance			10.5	15	$\Omega$
	Temperature Stability			+1		mV/ $^{\circ}C$
	Total Supply Current			3.8	6	mA

**TEST CIRCUIT AND WAVEFORM**

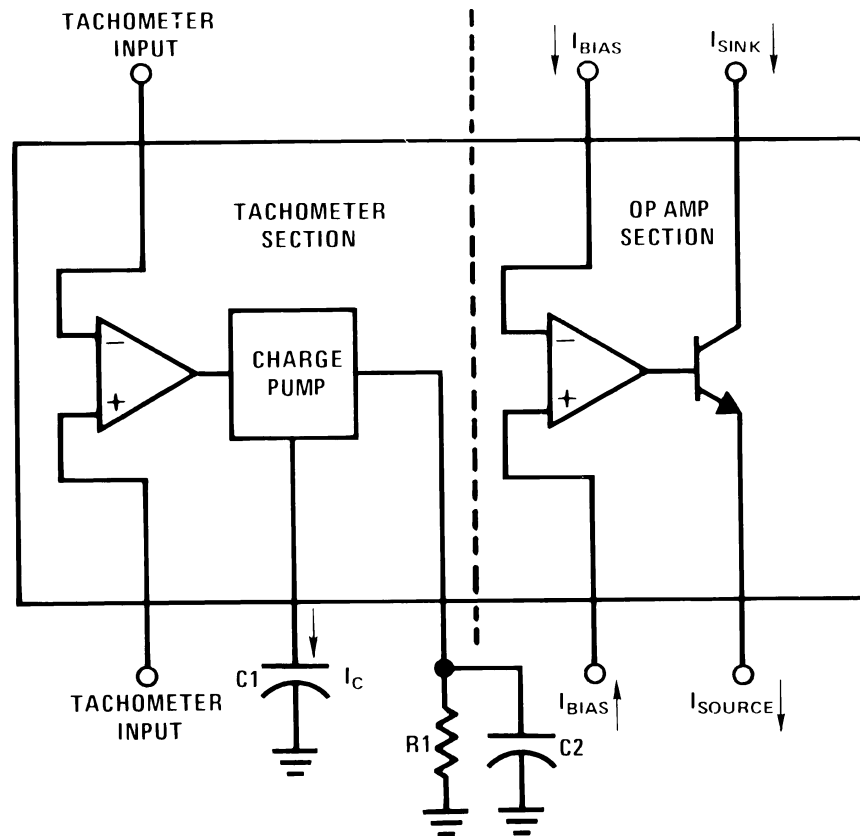


Figure 5.

### Tachometer Input Threshold Measurement

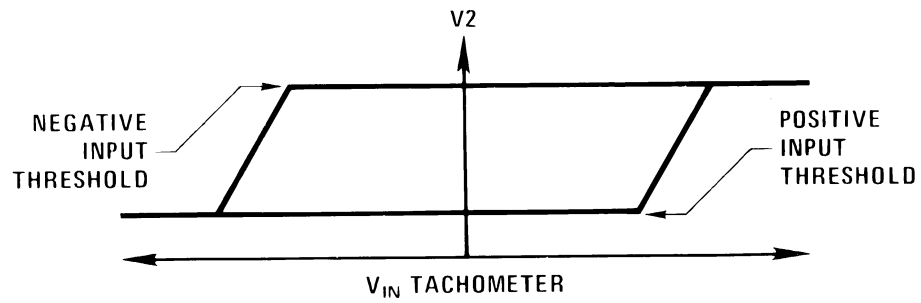


Figure 6.

TYPICAL PERFORMANCE CHARACTERISTICS

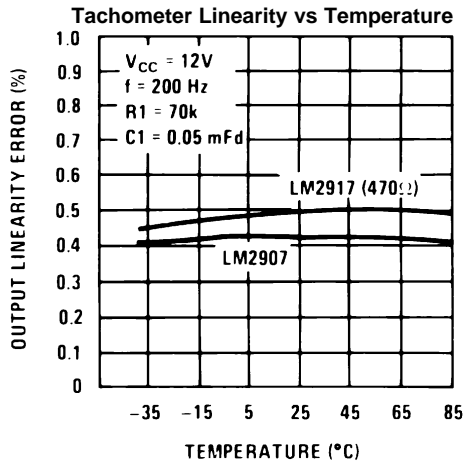


Figure 7.

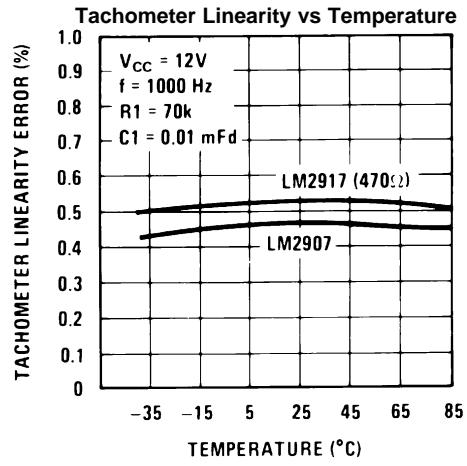


Figure 8.

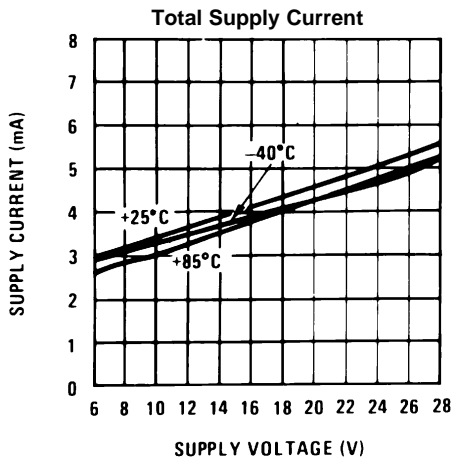


Figure 9.

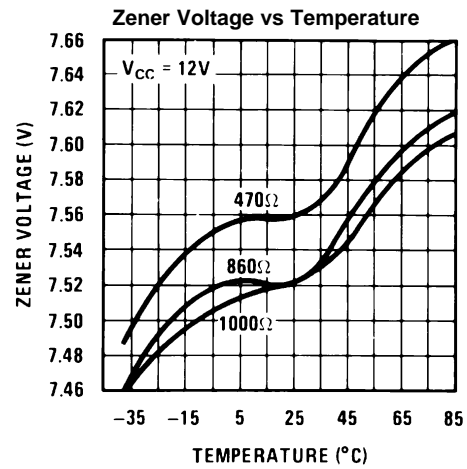


Figure 10.

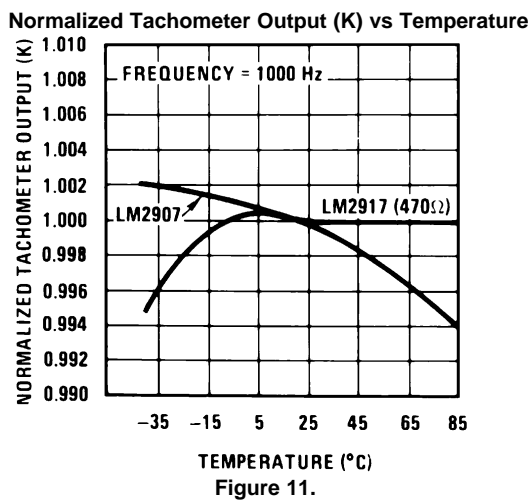


Figure 11.

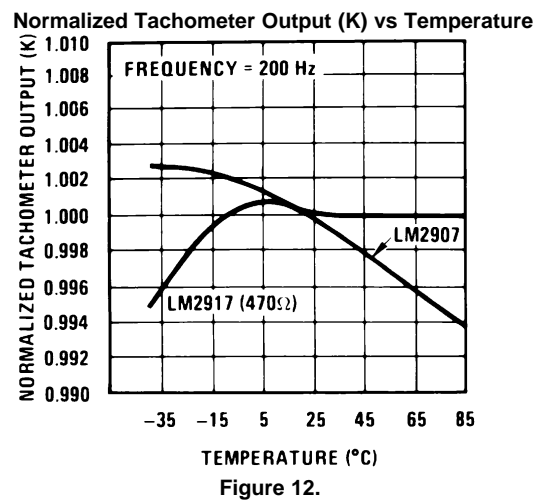


Figure 12.

**TYPICAL PERFORMANCE CHARACTERISTICS (continued)**

Tachometer Currents  $I_2$  and  $I_3$  vs Supply Voltage

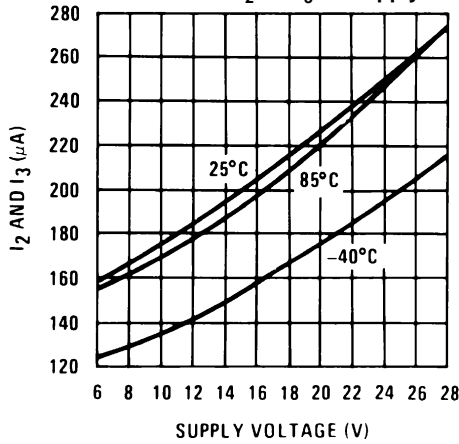


Figure 13.

Tachometer Currents  $I_2$  and  $I_3$  vs Temperature

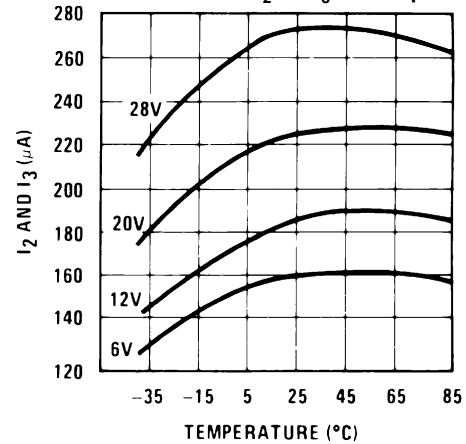


Figure 14.

Tachometer Linearity vs R1

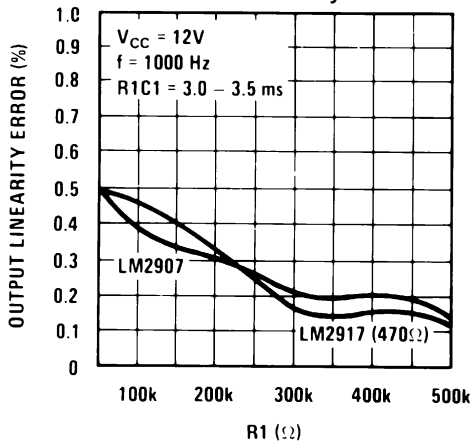


Figure 15.

Tachometer Input Hysteresis vs Temperature

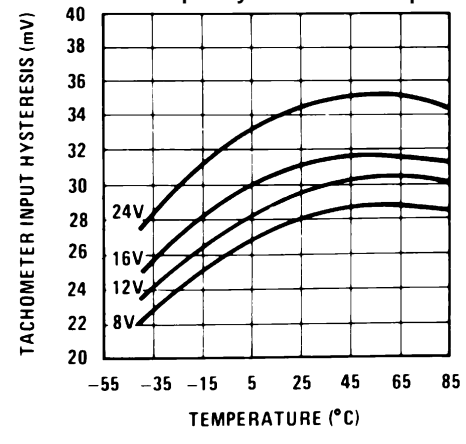


Figure 16.

Op Amp Output Transistor Characteristics

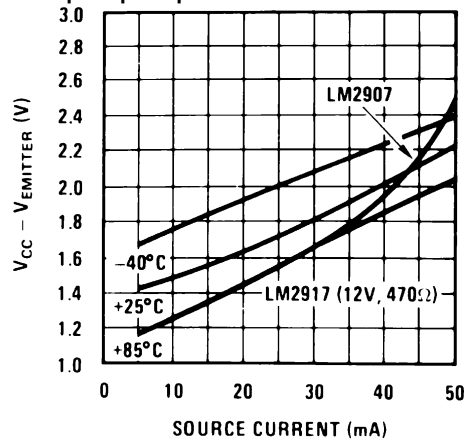


Figure 17.

Op Amp Output Transistor Characteristics

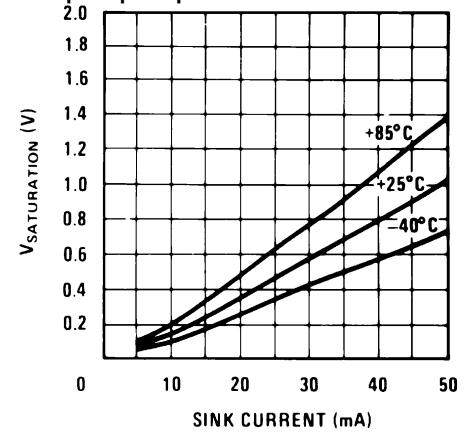


Figure 18.

## APPLICATIONS INFORMATION

The LM2907 series of tachometer circuits is designed for minimum external part count applications and maximum versatility. In order to fully exploit its features and advantages let's examine its theory of operation. The first stage of operation is a differential amplifier driving a positive feedback flip-flop circuit. The input threshold voltage is the amount of differential input voltage at which the output of this stage changes state. Two options (LM2907-8, LM2917-8) have one input internally grounded so that an input signal must swing above and below ground and exceed the input thresholds to produce an output. This is offered specifically for magnetic variable reluctance pickups which typically provide a single-ended ac output. This single input is also fully protected against voltage swings to  $\pm 28V$ , which are easily attained with these types of pickups.

The differential input options (LM2907, LM2917) give the user the option of setting his own input switching level and still have the hysteresis around that level for excellent noise rejection in any application. Of course in order to allow the inputs to attain common-mode voltages above ground, input protection is removed and neither input should be taken outside the limits of the supply voltage being used. It is very important that an input not go below ground without some resistance in its lead to limit the current that will then flow in the epi-substrate diode.

Following the input stage is the charge pump where the input frequency is converted to a dc voltage. To do this requires one timing capacitor, one output resistor, and an integrating or filter capacitor. When the input stage changes state (due to a suitable zero crossing or differential voltage on the input) the timing capacitor is either charged or discharged linearly between two voltages whose difference is  $V_{CC}/2$ . Then in one half cycle of the input frequency or a time equal to  $1/2 f_{IN}$  the change in charge on the timing capacitor is equal to  $V_{CC}/2 \times C1$ . The average amount of current pumped into or out of the capacitor then is:

$$\frac{\Delta Q}{T} = i_{c(AVG)} = C1 \times \frac{V_{CC}}{2} \times (2f_{IN}) = V_{CC} \times f_{IN} \times C1 \quad (1)$$

The output circuit mirrors this current very accurately into the load resistor R1, connected to ground, such that if the pulses of current are integrated with a filter capacitor, then  $V_O = i_c \times R1$ , and the total conversion equation becomes:

$$V_O = V_{CC} \times f_{IN} \times C1 \times R1 \times K$$

where

- K is the gain constant—typically 1.0 (2)

The size of C2 is dependent only on the amount of ripple voltage allowable and the required response time.

### CHOOSING R1 AND C1

There are some limitations on the choice of R1 and C1 which should be considered for optimum performance. The timing capacitor also provides internal compensation for the charge pump and should be kept larger than 500 pF for very accurate operation. Smaller values can cause an error current on R1, especially at low temperatures. Several considerations must be met when choosing R1. The output current at pin 3 is internally fixed and therefore  $V_O/R1$  must be less than or equal to this value. If R1 is too large, it can become a significant fraction of the output impedance at pin 3 which degrades linearity. Also output ripple voltage must be considered and the size of C2 is affected by R1. An expression that describes the ripple content on pin 3 for a single R1C2 combination is:

$$V_{RIPPLE} = \frac{V_{CC}}{2} \times \frac{C1}{C2} \times \left(1 - \frac{V_{CC} \times f_{IN} \times C1}{I_2}\right) \text{pk-pk} \quad (3)$$

It appears R1 can be chosen independent of ripple, however response time, or the time it takes  $V_{OUT}$  to stabilize at a new voltage increases as the size of C2 increases, so a compromise between ripple, response time, and linearity must be chosen carefully.

As a final consideration, the maximum attainable input frequency is determined by  $V_{CC}$ , C1 and  $I_2$ :

$$f_{MAX} = \frac{I_2}{C1 \times V_{CC}} \quad (4)$$



### USING ZENER REGULATED OPTIONS (LM2917)

For those applications where an output voltage or current must be obtained independent of supply voltage variations, the LM2917 is offered. The most important consideration in choosing a dropping resistor from the unregulated supply to the device is that the tachometer and op amp circuitry alone require about 3 mA at the voltage level provided by the zener. At low supply voltages there must be some current flowing in the resistor above the 3 mA circuit current to operate the regulator. As an example, if the raw supply varies from 9V to 16V, a resistance of 470Ω will minimize the zener voltage variation to 160 mV. If the resistance goes under 400Ω or over 600Ω the zener variation quickly rises above 200 mV for the same input variation.

### TYPICAL APPLICATIONS

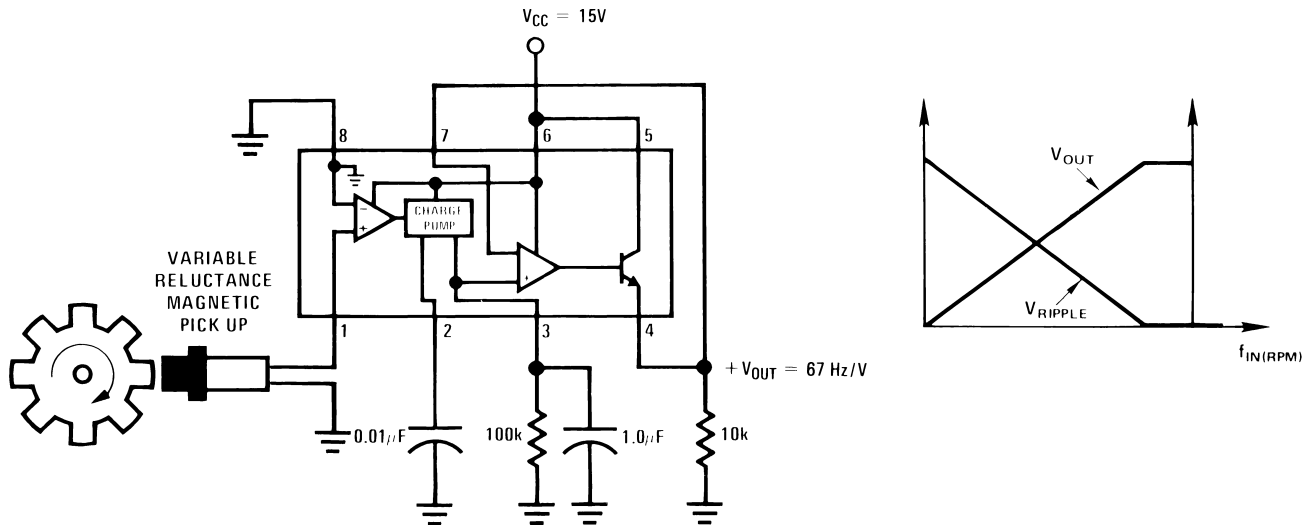


Figure 19. Minimum Component Tachometer

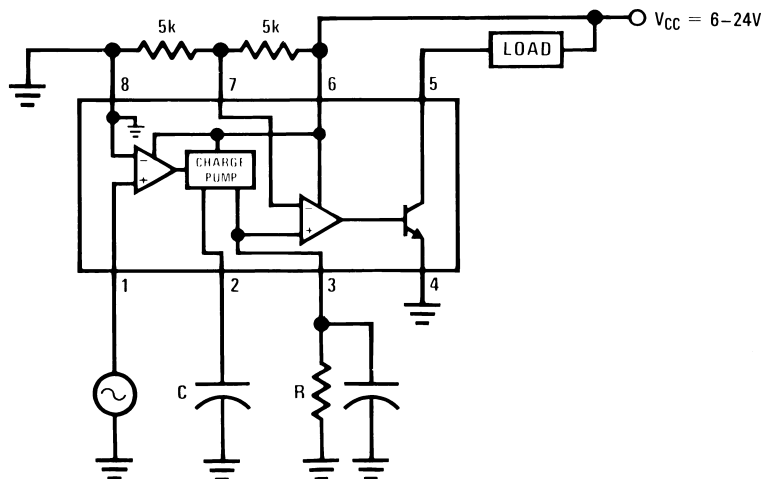


Figure 20. "Speed Switch", Load is Energized when  $f_{IN} \geq 1 / (2RC)$

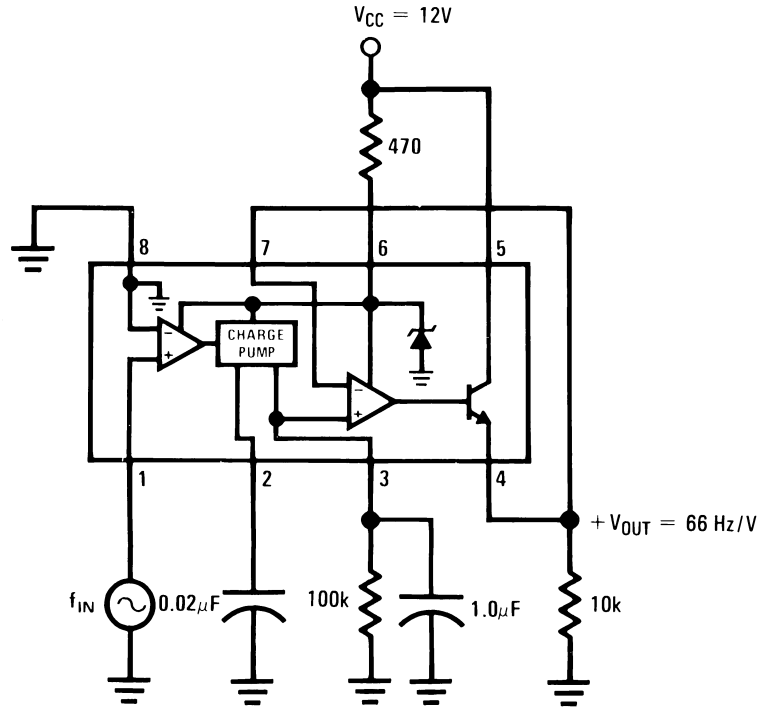


Figure 21. Zener Regulated Frequency to Voltage Converter

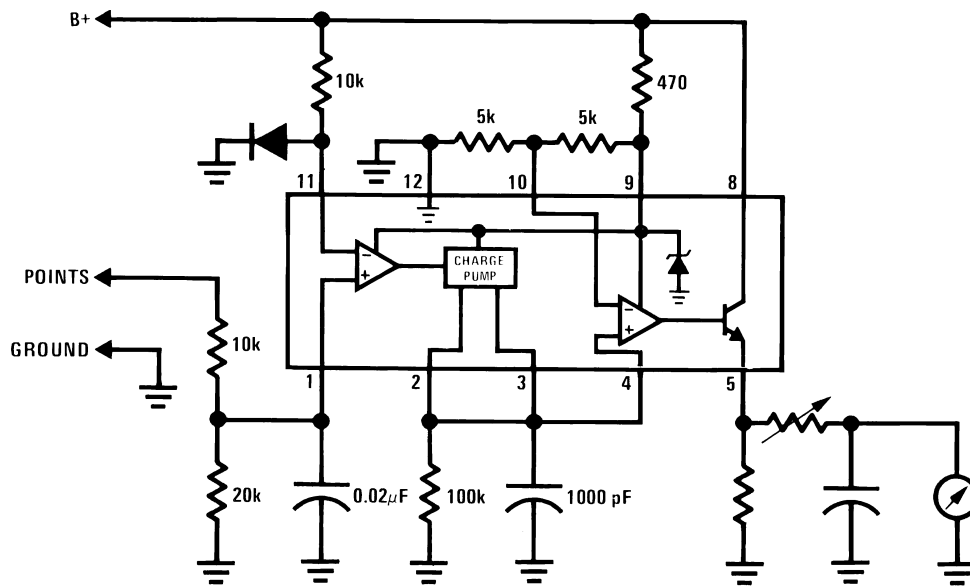


Figure 22. Breaker Point Dwell Meter

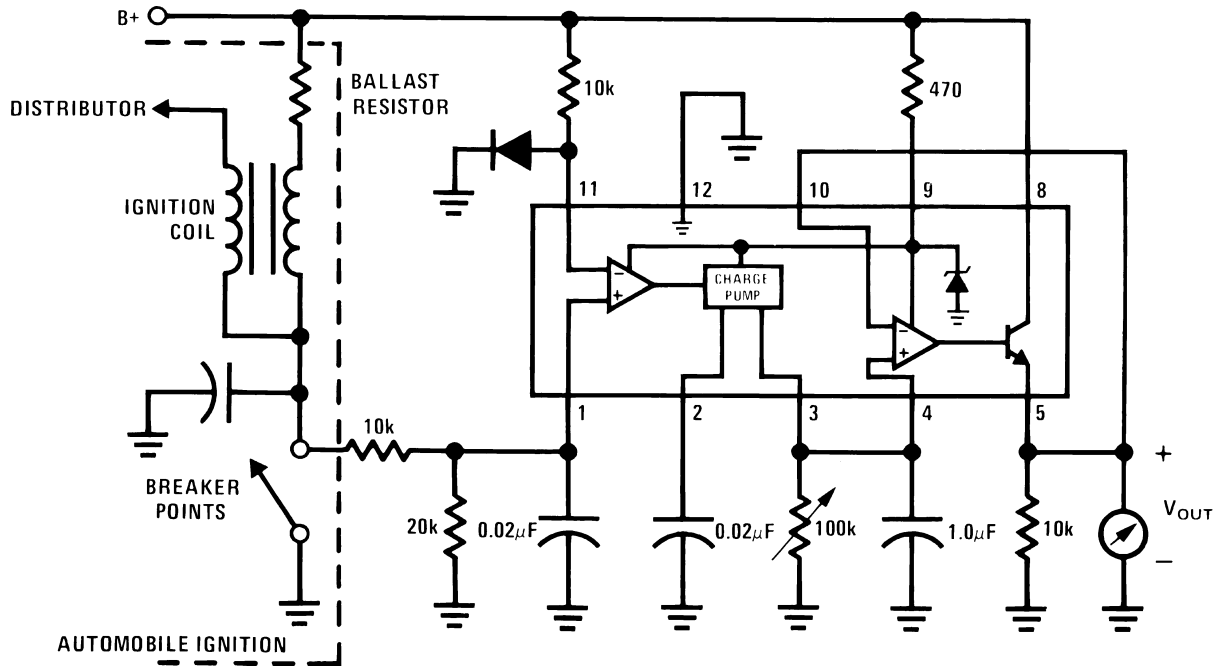


Figure 23. Voltage Driven Meter Indicating Engine RPM  
 $V_o = 6V @ 400 \text{ Hz}$  or 6000 ERPM (8 Cylinder Engine)

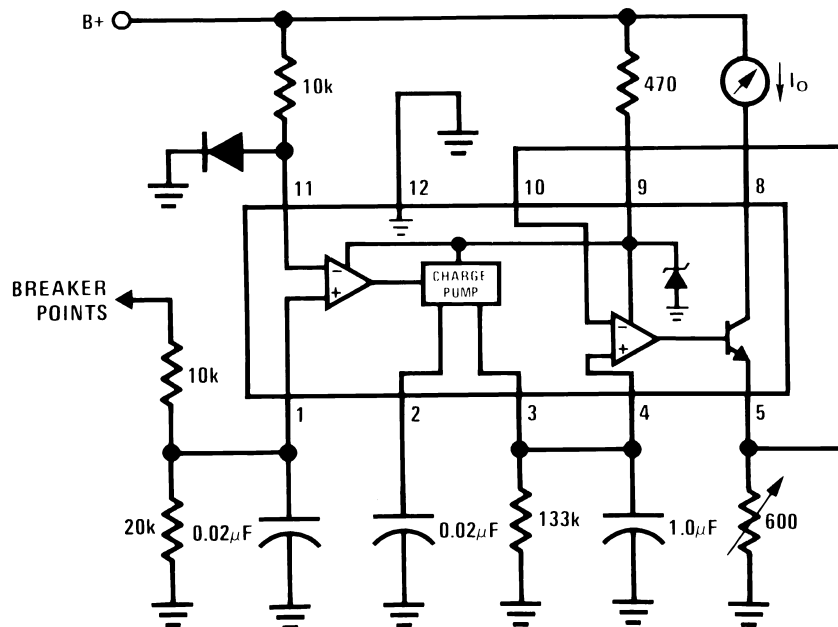


Figure 24. Current Driven Meter Indicating Engine RPM  
 $I_o = 10 \text{ mA} @ 300 \text{ Hz}$  or 6000 ERPM (6 Cylinder Engine)

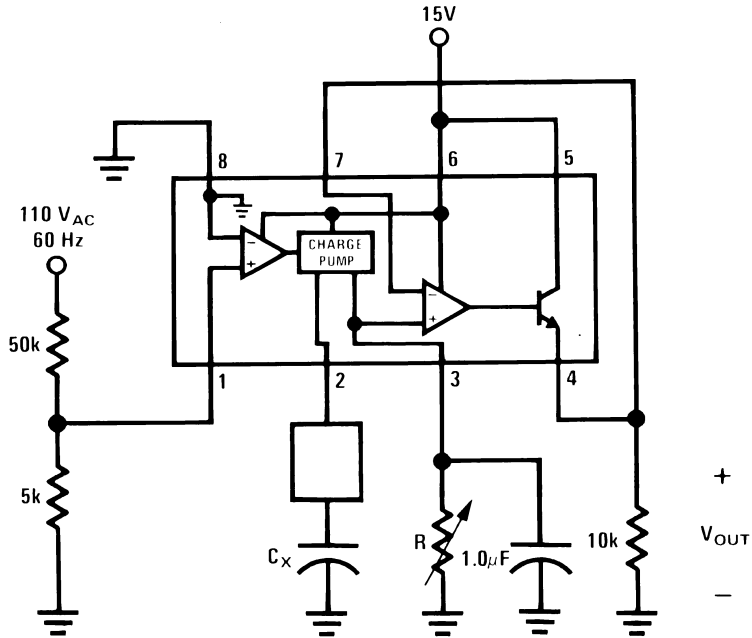


Figure 25. Capacitance Meter  
 $V_{OUT} = 1V-10V$  for  $C_X = 0.01$  to  $0.1$  mFd ( $R = 111k$ )

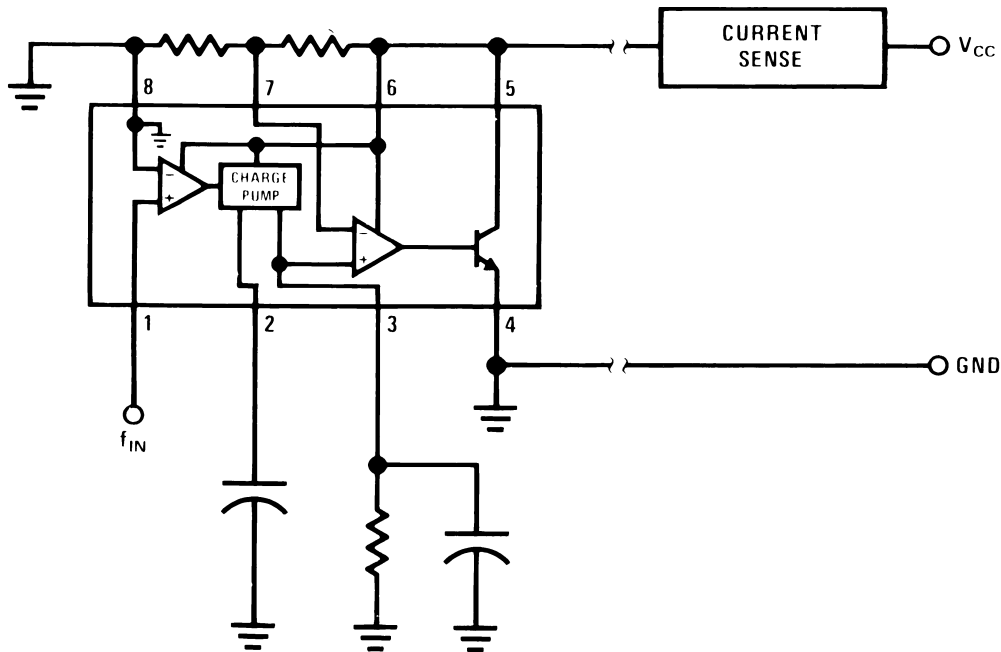
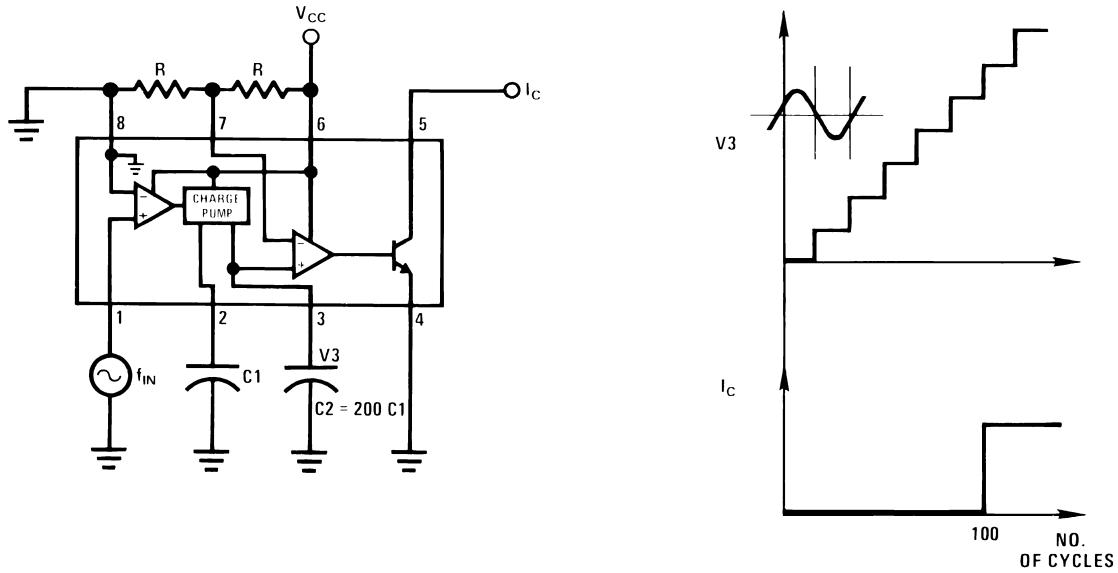


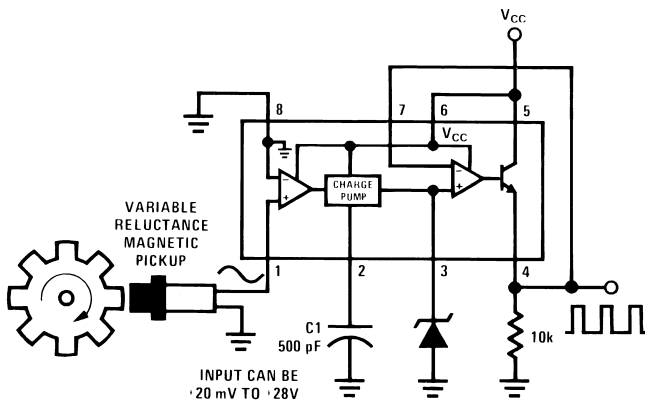
Figure 26. Two-Wire Remote Speed Switch



V3 steps up in voltage by the amount  $\frac{V_{CC} \times C1}{C2}$  for each complete input cycle (2 zero crossings)  
 Example:  
 if  $C2 = 200 C1$  after 100 consecutive input cycles.  
 $V3 = 1/2 V_{CC}$

Figure 27. 100 Cycle Delay Switch

Variable Reluctance Magnetic Pickup Buffer Circuits



Precision two-shot output frequency equals twice input frequency.

$$\text{Pulse width} = \frac{V_{CC} C1}{2 I2}$$

$$\text{Pulse height} = V_{ZENER}$$

Figure 28.

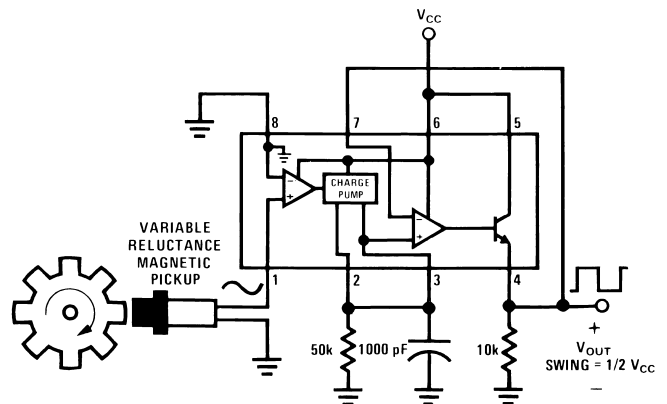


Figure 29.

Finger Touch or Contact Switch

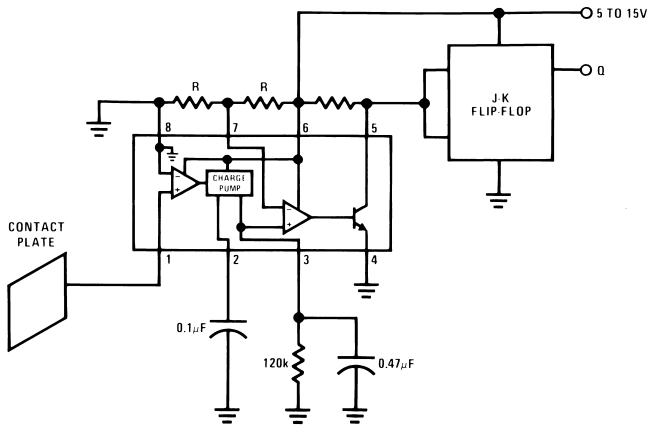


Figure 30.

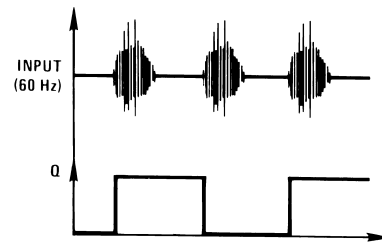
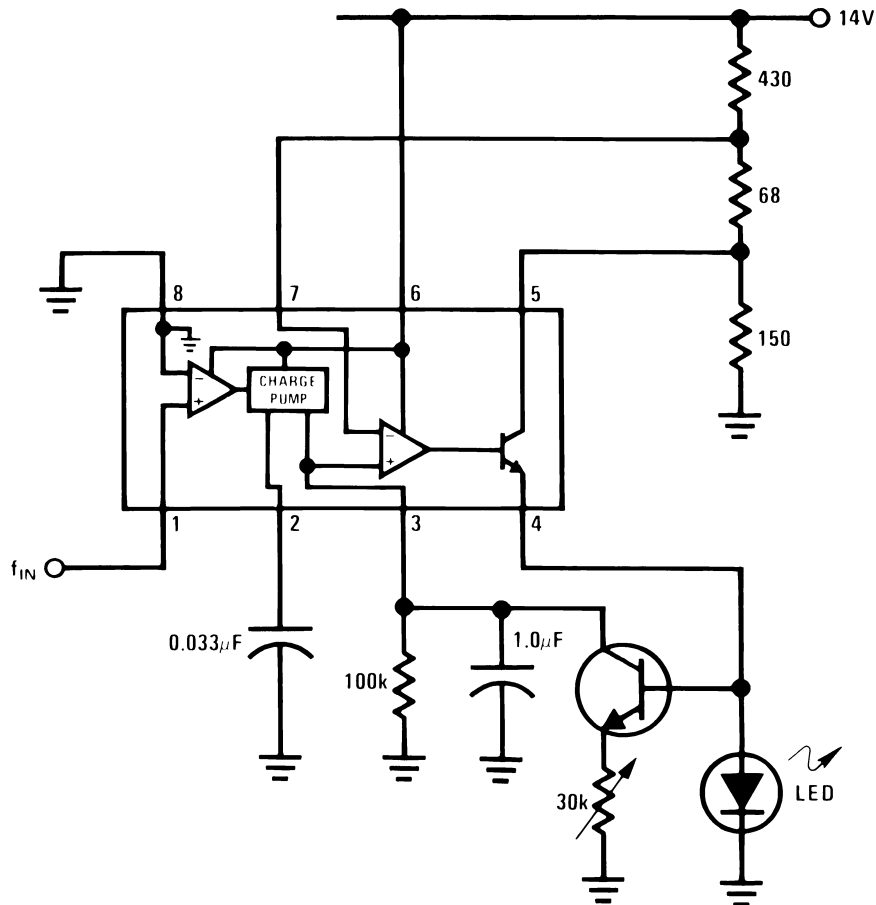
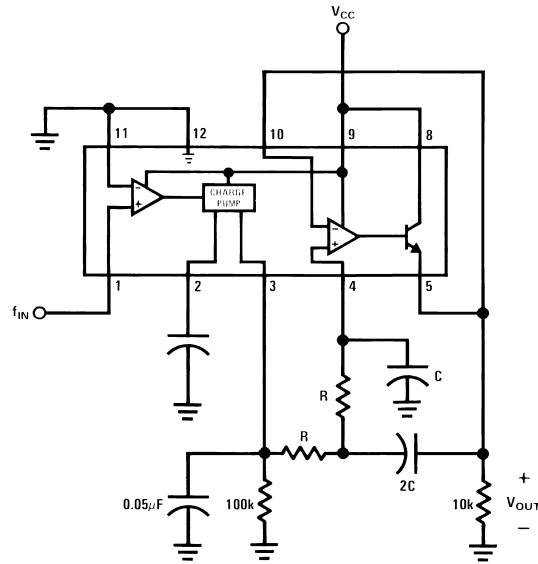


Figure 31.



Flashing begins when  $f_{IN} \geq 100$  Hz.  
Flash rate increases with input frequency increase beyond trip point.

Figure 32. Flashing LED Indicates Overspeed

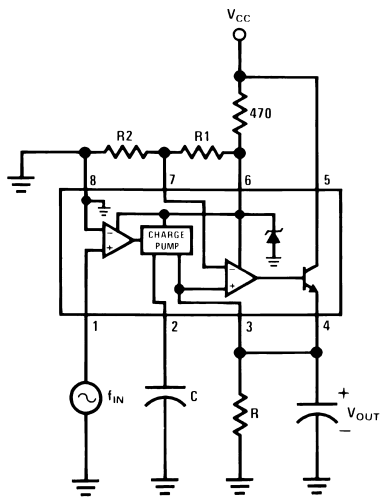


$$f_{\text{POLE}} = \frac{0.707}{2\pi RC}$$

$$t_{\text{RESPONSE}} = \frac{2.57}{2\pi f_{\text{POLE}}}$$

Figure 33. Frequency to Voltage Converter with 2 Pole Butterworth Filter to Reduce Ripple

Figure 34. Overspeed Latch



Output latches when

$$f_{\text{IN}} = \frac{R2}{R1 + R2} \frac{1}{RC}$$

Reset by removing V<sub>CC</sub>.

Figure 35.

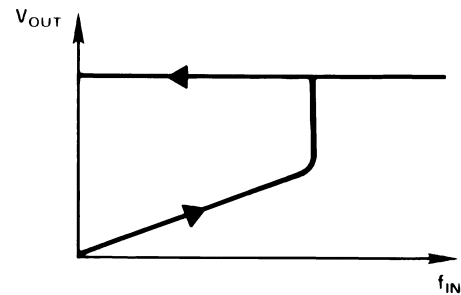


Figure 36.

### Frequency Switch Applications

Some frequency switch applications may require hysteresis in the comparator function which can be implemented in several ways.

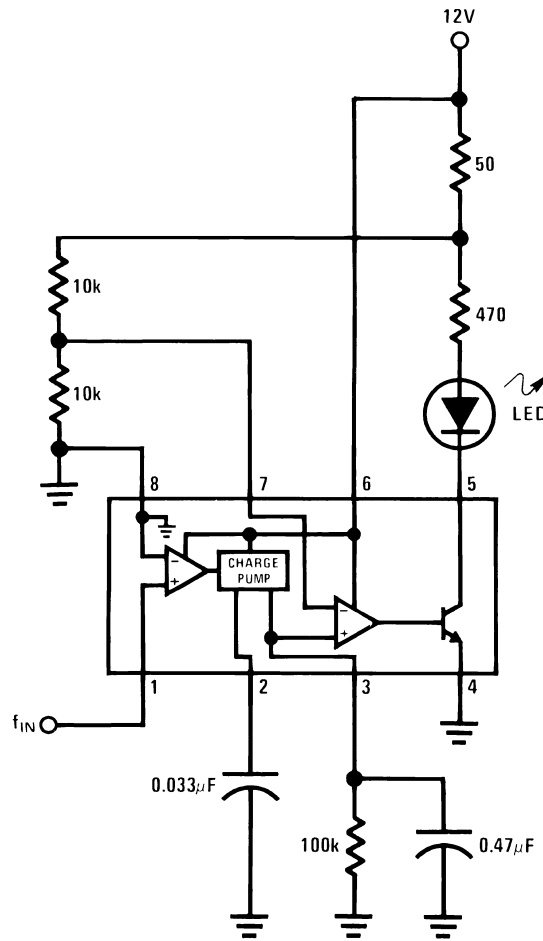


Figure 37.



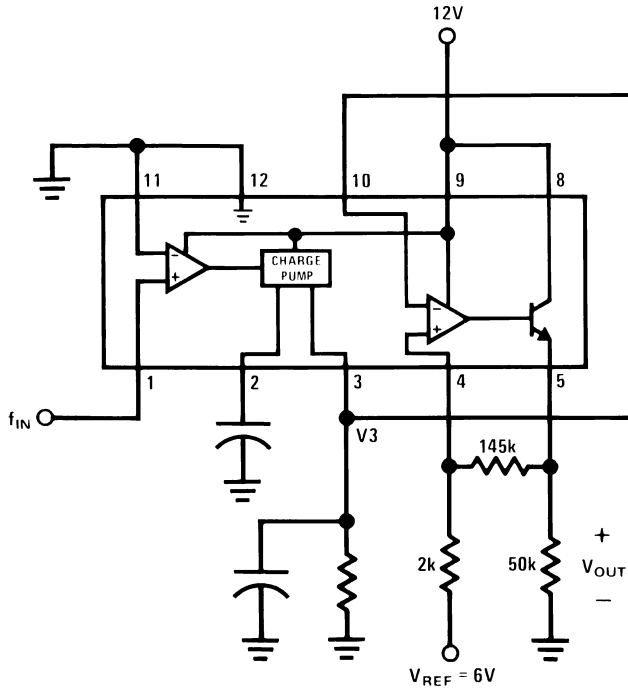


Figure 38.

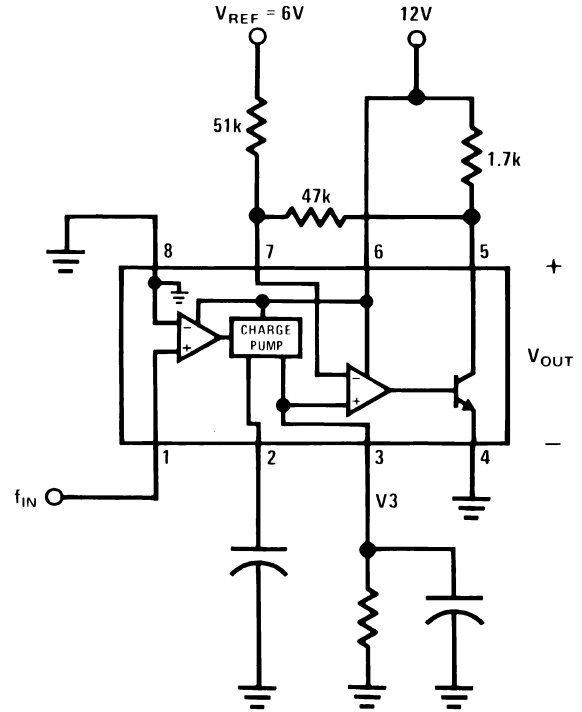


Figure 39.

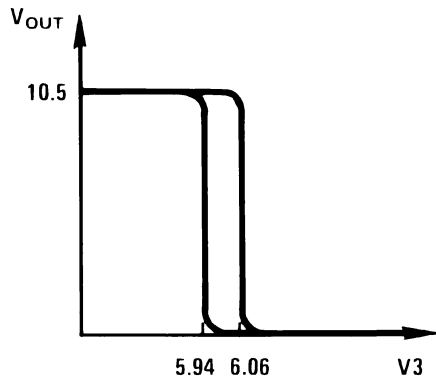


Figure 40.

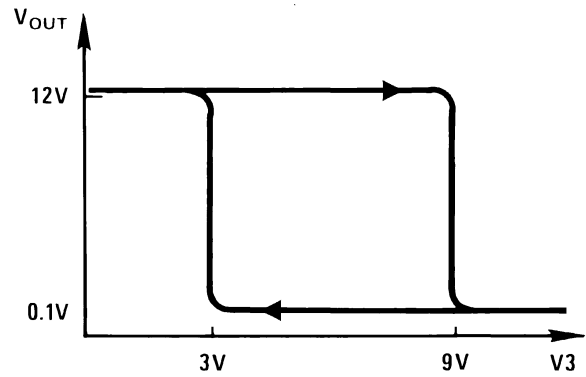


Figure 41.

Changing the Output Voltage for an Input Frequency of Zero

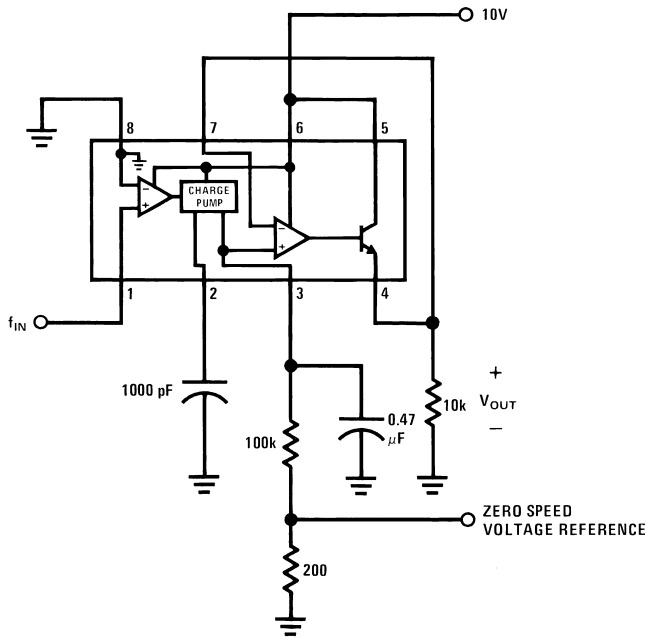


Figure 42.

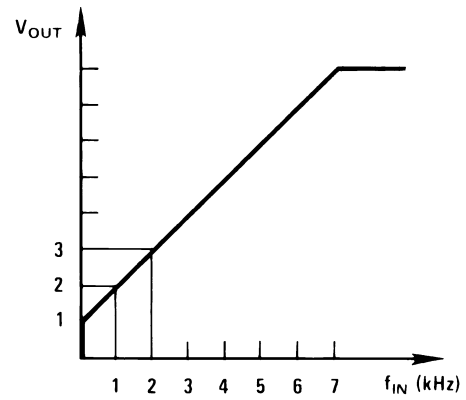


Figure 43.

Changing Tachometer Gain Curve or Clamping the Minimum Output Voltage

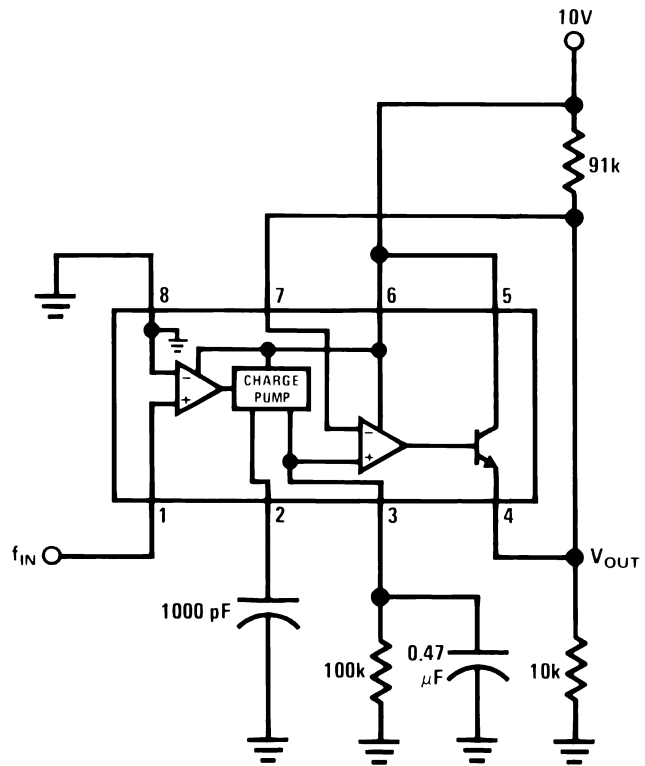


Figure 44.

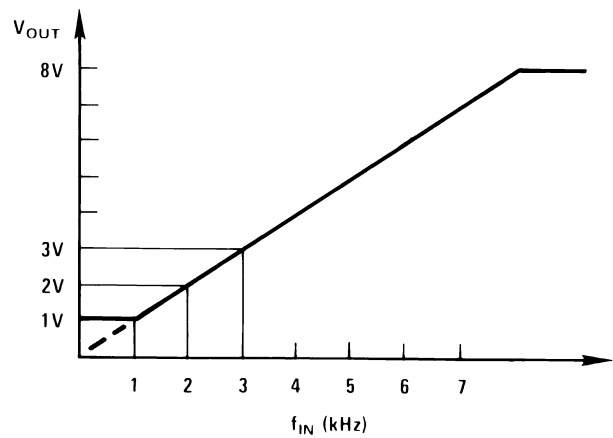


Figure 45.

ANTI-SKID CIRCUIT FUNCTIONS

“Select-Low” Circuit

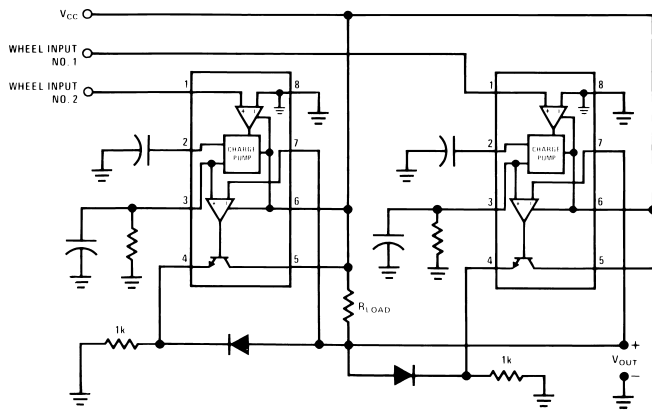
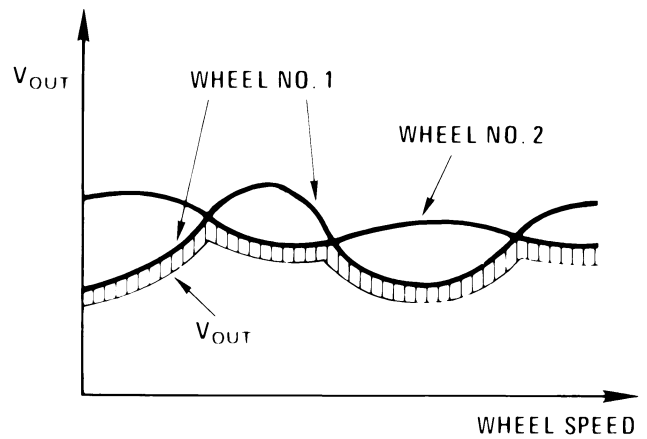


Figure 46.



$V_{OUT}$  Proportional to the Lower of the Two Input Wheel Speeds

Figure 47.

“Select-High” Circuit

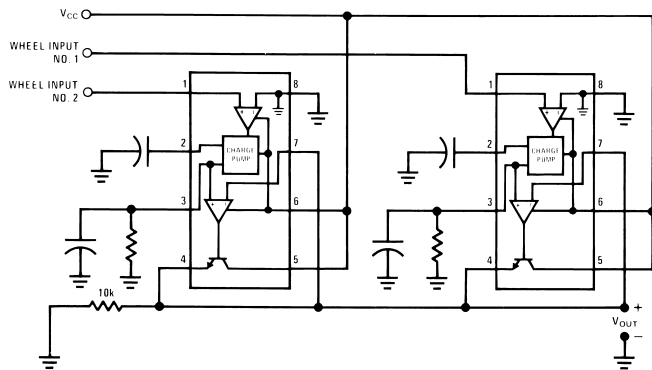
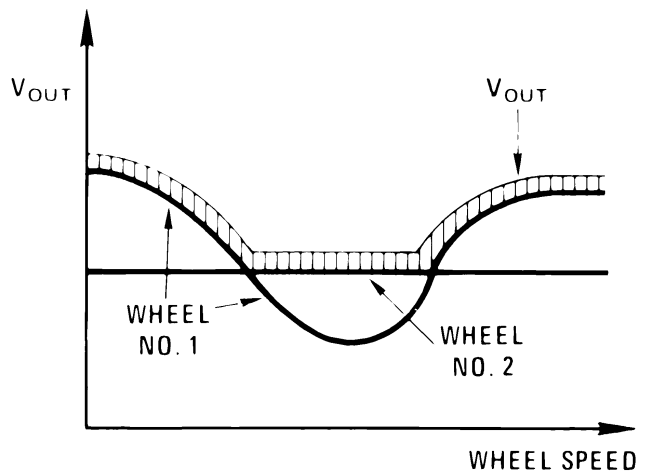


Figure 48.



$V_{OUT}$  Proportional to the Higher of the Two Input Wheel Speeds

Figure 49.

“Select-Average” Circuit

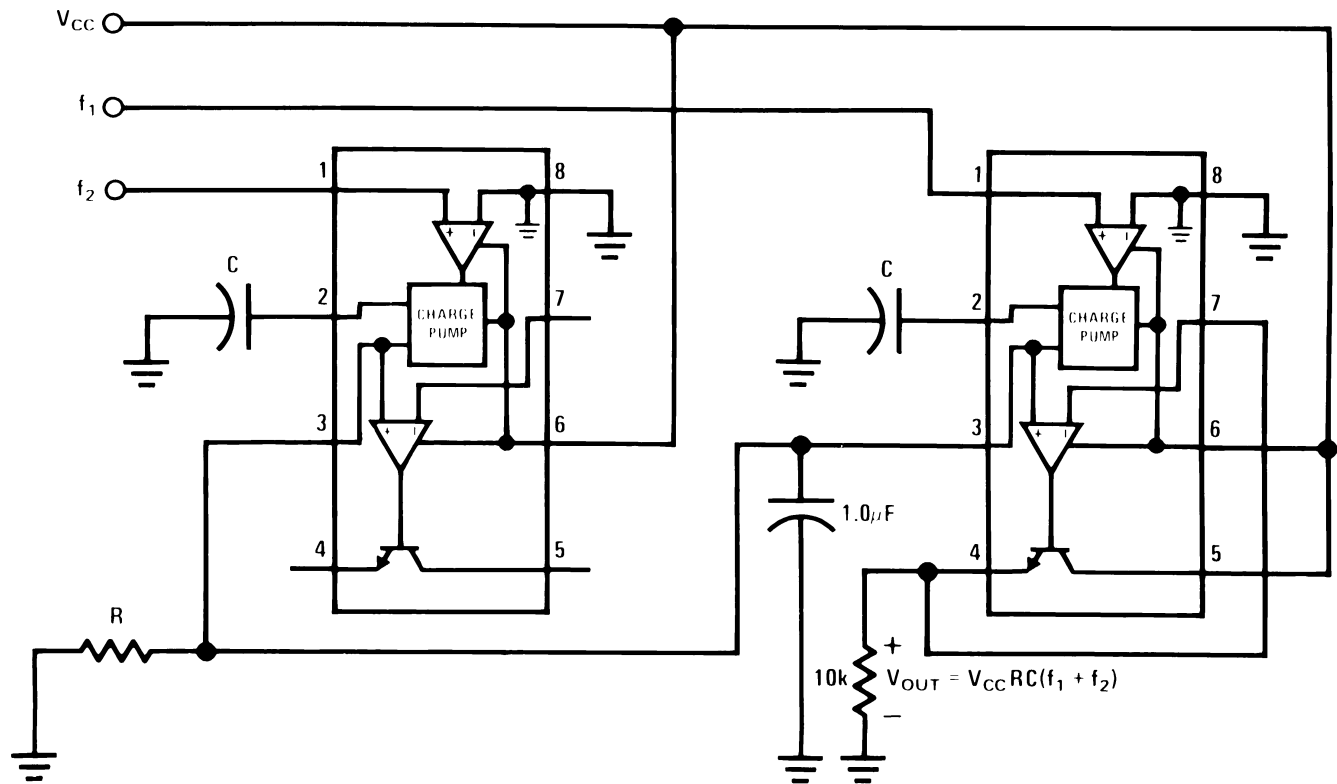
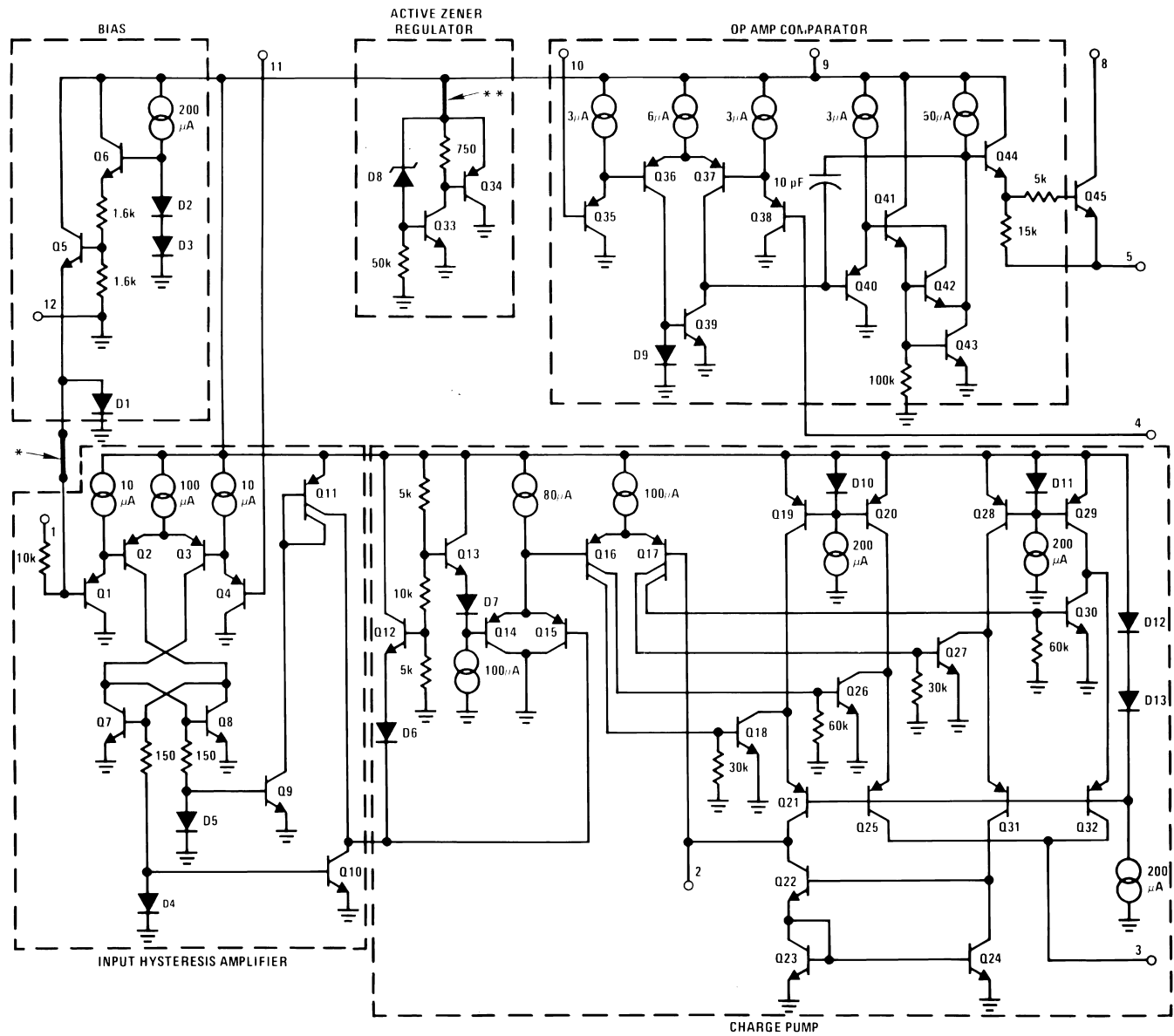


Figure 50.

EQUIVALENT SCHEMATIC DIAGRAM



\*This connection made on LM2907-8 and LM2917-8 only.

\*\*This connection made on LM2917 and LM2917-8 only.

Figure 51.

## REVISION HISTORY

Changes from Revision B (March 2013) to Revision C	Page
• Changed layout of National Data Sheet to TI format .....	<a href="#">21</a>

**PACKAGING INFORMATION**

Orderable Device	Status (1)	Package Type	Package Drawing	Pins	Package Qty	Eco Plan (2)	Lead/Ball Finish	MSL Peak Temp (3)	Op Temp (°C)	Top-Side Markings (4)	Samples
LM2907M	ACTIVE	SOIC	D	14	55	TBD	Call TI	Call TI	-40 to 85	LM2907M	<a href="#">Samples</a>
LM2907M-8	ACTIVE	SOIC	D	8	95	TBD	Call TI	Call TI	-40 to 85	LM29 07M-8	<a href="#">Samples</a>
LM2907M-8/NOPB	ACTIVE	SOIC	D	8	95	Green (RoHS & no Sb/Br)	CU SN	Level-1-260C-UNLIM	-40 to 85	LM29 07M-8	<a href="#">Samples</a>
LM2907M/NOPB	ACTIVE	SOIC	D	14	55	Green (RoHS & no Sb/Br)	CU SN	Level-1-260C-UNLIM	-40 to 85	LM2907M	<a href="#">Samples</a>
LM2907MX	ACTIVE	SOIC	D	14	2500	TBD	Call TI	Call TI	-40 to 85	LM2907M	<a href="#">Samples</a>
LM2907MX-8	ACTIVE	SOIC	D	8	2500	TBD	Call TI	Call TI	-40 to 85	LM29 07M-8	<a href="#">Samples</a>
LM2907MX-8/NOPB	ACTIVE	SOIC	D	8	2500	Green (RoHS & no Sb/Br)	CU SN	Level-1-260C-UNLIM	-40 to 85	LM29 07M-8	<a href="#">Samples</a>
LM2907MX/NOPB	ACTIVE	SOIC	D	14	2500	Green (RoHS & no Sb/Br)	CU SN	Level-1-260C-UNLIM	-40 to 85	LM2907M	<a href="#">Samples</a>
LM2907N	ACTIVE	PDIP	NFF	14	25	TBD	Call TI	Call TI	-40 to 85	LM2907N	<a href="#">Samples</a>
LM2907N-8	ACTIVE	PDIP	P	8	40	TBD	Call TI	Call TI	-40 to 85	LM 2907N-8	<a href="#">Samples</a>
LM2907N-8/NOPB	ACTIVE	PDIP	P	8	40	Green (RoHS & no Sb/Br)	Call TI	Level-1-NA-UNLIM	-40 to 85	LM 2907N-8	<a href="#">Samples</a>
LM2907N/NOPB	ACTIVE	PDIP	NFF	14	25	Green (RoHS & no Sb/Br)	CU SN	Level-1-NA-UNLIM	-40 to 85	LM2907N	<a href="#">Samples</a>
LM2917M	ACTIVE	SOIC	D	14	55	TBD	Call TI	Call TI	-40 to 85	LM2917M	<a href="#">Samples</a>
LM2917M-8	ACTIVE	SOIC	D	8	95	TBD	Call TI	Call TI	-40 to 85	LM29 17M-8	<a href="#">Samples</a>
LM2917M-8/NOPB	ACTIVE	SOIC	D	8	95	Green (RoHS & no Sb/Br)	CU SN	Level-1-260C-UNLIM	-40 to 85	LM29 17M-8	<a href="#">Samples</a>
LM2917M/NOPB	ACTIVE	SOIC	D	14	55	Green (RoHS & no Sb/Br)	CU SN	Level-1-260C-UNLIM	-40 to 85	LM2917M	<a href="#">Samples</a>
LM2917MX	ACTIVE	SOIC	D	14	2500	TBD	Call TI	Call TI	-40 to 85	LM2917M	<a href="#">Samples</a>
LM2917MX-8	ACTIVE	SOIC	D	8	2500	TBD	Call TI	Call TI	-40 to 85	LM29 17M-8	<a href="#">Samples</a>

Orderable Device	Status (1)	Package Type	Package Drawing	Pins	Package Qty	Eco Plan (2)	Lead/Ball Finish	MSL Peak Temp (3)	Op Temp (°C)	Top-Side Markings (4)	Samples
LM2917MX-8/NOPB	ACTIVE	SOIC	D	8	2500	Green (RoHS & no Sb/Br)	CU SN	Level-1-260C-UNLIM	-40 to 85	LM2917M-8	<a href="#">Samples</a>
LM2917MX/NOPB	ACTIVE	SOIC	D	14	2500	Green (RoHS & no Sb/Br)	CU SN	Level-1-260C-UNLIM	-40 to 85	LM2917M	<a href="#">Samples</a>
LM2917N	ACTIVE	PDIP	NFF	14	25	TBD	Call TI	Call TI	-40 to 85	LM2917N	<a href="#">Samples</a>
LM2917N-8	ACTIVE	PDIP	P	8	40	TBD	Call TI	Call TI	-40 to 85	LM2917N-8	<a href="#">Samples</a>
LM2917N-8/NOPB	ACTIVE	PDIP	P	8	40	Green (RoHS & no Sb/Br)	Call TI	Level-1-NA-UNLIM	-40 to 85	LM2917N-8	<a href="#">Samples</a>
LM2917N/NOPB	ACTIVE	PDIP	NFF	14	25	Green (RoHS & no Sb/Br)	CU SN	Level-1-NA-UNLIM	-40 to 85	LM2917N	<a href="#">Samples</a>

(1) The marketing status values are defined as follows:

**ACTIVE:** Product device recommended for new designs.

**LIFEBUY:** TI has announced that the device will be discontinued, and a lifetime-buy period is in effect.

**NRND:** Not recommended for new designs. Device is in production to support existing customers, but TI does not recommend using this part in a new design.

**PREVIEW:** Device has been announced but is not in production. Samples may or may not be available.

**OBSELETE:** TI has discontinued the production of the device.

(2) Eco Plan - The planned eco-friendly classification: Pb-Free (RoHS), Pb-Free (RoHS Exempt), or Green (RoHS & no Sb/Br) - please check <http://www.ti.com/productcontent> for the latest availability information and additional product content details.

**TBD:** The Pb-Free/Green conversion plan has not been defined.

**Pb-Free (RoHS):** TI's terms "Lead-Free" or "Pb-Free" mean semiconductor products that are compatible with the current RoHS requirements for all 6 substances, including the requirement that lead not exceed 0.1% by weight in homogeneous materials. Where designed to be soldered at high temperatures, TI Pb-Free products are suitable for use in specified lead-free processes.

**Pb-Free (RoHS Exempt):** This component has a RoHS exemption for either 1) lead-based flip-chip solder bumps used between the die and package, or 2) lead-based die adhesive used between the die and leadframe. The component is otherwise considered Pb-Free (RoHS compatible) as defined above.

**Green (RoHS & no Sb/Br):** TI defines "Green" to mean Pb-Free (RoHS compatible), and free of Bromine (Br) and Antimony (Sb) based flame retardants (Br or Sb do not exceed 0.1% by weight in homogeneous material)

(3) MSL, Peak Temp. -- The Moisture Sensitivity Level rating according to the JEDEC industry standard classifications, and peak solder temperature.

(4) Multiple Top-Side Markings will be inside parentheses. Only one Top-Side Marking contained in parentheses and separated by a "-" will appear on a device. If a line is indented then it is a continuation of the previous line and the two combined represent the entire Top-Side Marking for that device.

**Important Information and Disclaimer:**The information provided on this page represents TI's knowledge and belief as of the date that it is provided. TI bases its knowledge and belief on information provided by third parties, and makes no representation or warranty as to the accuracy of such information. Efforts are underway to better integrate information from third parties. TI has taken and continues to take reasonable steps to provide representative and accurate information but may not have conducted destructive testing or chemical analysis on incoming materials and chemicals. TI and TI suppliers consider certain information to be proprietary, and thus CAS numbers and other limited information may not be available for release.



In no event shall TI's liability arising out of such information exceed the total purchase price of the TI part(s) at issue in this document sold by TI to Customer on an annual basis.

**TAPE AND REEL INFORMATION**

**QUADRANT ASSIGNMENTS FOR PIN 1 ORIENTATION IN TAPE**


\*All dimensions are nominal

Device	Package Type	Package Drawing	Pins	SPQ	Reel Diameter (mm)	Reel Width W1 (mm)	A0 (mm)	B0 (mm)	K0 (mm)	P1 (mm)	W (mm)	Pin1 Quadrant
LM2907MX	SOIC	D	14	2500	330.0	16.4	6.5	9.35	2.3	8.0	16.0	Q1
LM2907MX-8	SOIC	D	8	2500	330.0	12.4	6.5	5.4	2.0	8.0	12.0	Q1
LM2907MX-8/NOPB	SOIC	D	8	2500	330.0	12.4	6.5	5.4	2.0	8.0	12.0	Q1
LM2907MX/NOPB	SOIC	D	14	2500	330.0	16.4	6.5	9.35	2.3	8.0	16.0	Q1
LM2917MX	SOIC	D	14	2500	330.0	16.4	6.5	9.35	2.3	8.0	16.0	Q1
LM2917MX-8	SOIC	D	8	2500	330.0	12.4	6.5	5.4	2.0	8.0	12.0	Q1
LM2917MX-8/NOPB	SOIC	D	8	2500	330.0	12.4	6.5	5.4	2.0	8.0	12.0	Q1
LM2917MX/NOPB	SOIC	D	14	2500	330.0	16.4	6.5	9.35	2.3	8.0	16.0	Q1

**TAPE AND REEL BOX DIMENSIONS**


\*All dimensions are nominal

Device	Package Type	Package Drawing	Pins	SPQ	Length (mm)	Width (mm)	Height (mm)
LM2907MX	SOIC	D	14	2500	367.0	367.0	35.0
LM2907MX-8	SOIC	D	8	2500	367.0	367.0	35.0
LM2907MX-8/NOPB	SOIC	D	8	2500	367.0	367.0	35.0
LM2907MX/NOPB	SOIC	D	14	2500	367.0	367.0	35.0
LM2917MX	SOIC	D	14	2500	367.0	367.0	35.0
LM2917MX-8	SOIC	D	8	2500	367.0	367.0	35.0
LM2917MX-8/NOPB	SOIC	D	8	2500	367.0	367.0	35.0
LM2917MX/NOPB	SOIC	D	14	2500	367.0	367.0	35.0

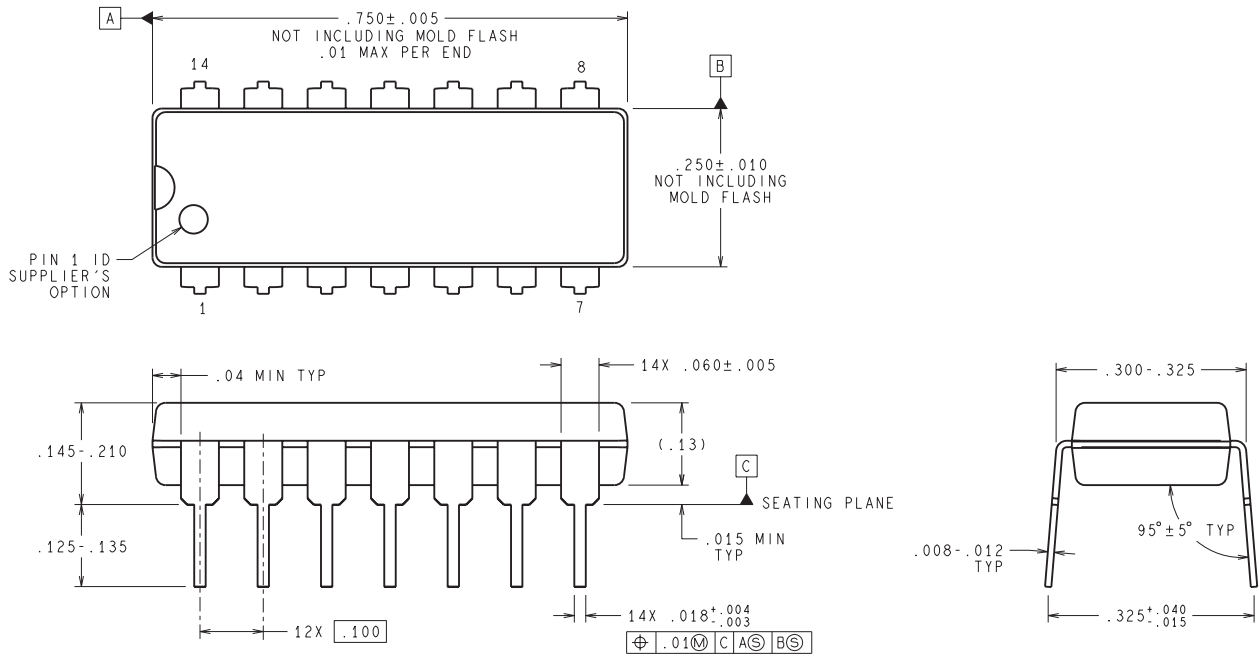
P (R-PDIP-T8)

PLASTIC DUAL-IN-LINE PACKAGE



- NOTES:
- A. All linear dimensions are in inches (millimeters).
  - B. This drawing is subject to change without notice.
  - C. Falls within JEDEC MS-001 variation BA.

NFF0014A



**DIMENSIONS ARE IN INCHES**  
 DIMENSIONS IN ( ) FOR REFERENCE ONLY

N14A (Rev G)

D (R-PDSO-G14)

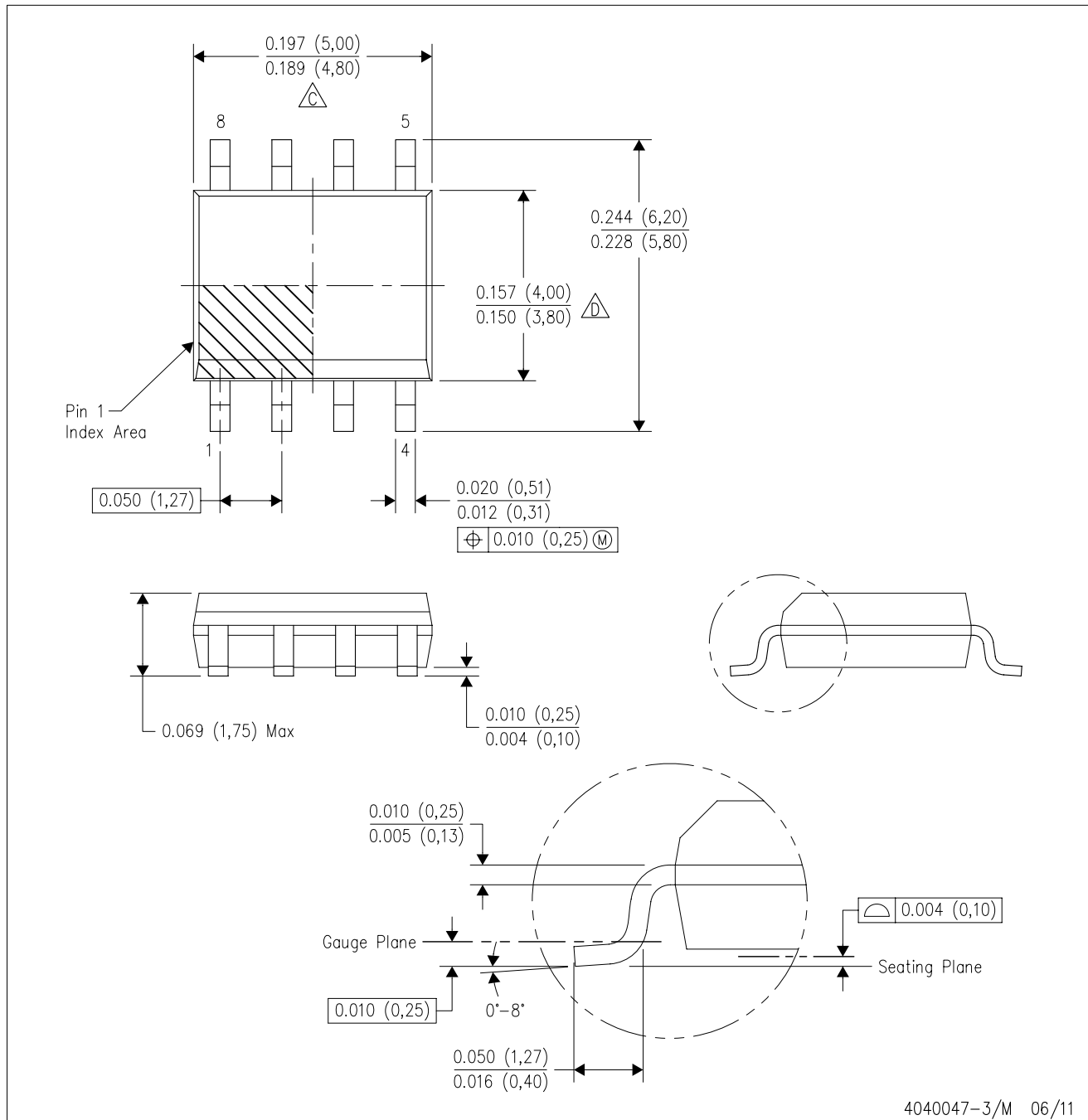
PLASTIC SMALL OUTLINE



- NOTES:
- A. All linear dimensions are in inches (millimeters).
  - B. This drawing is subject to change without notice.
  - Body length does not include mold flash, protrusions, or gate burrs. Mold flash, protrusions, or gate burrs shall not exceed 0.006 (0,15) each side.
  - Body width does not include interlead flash. Interlead flash shall not exceed 0.017 (0,43) each side.
  - E. Reference JEDEC MS-012 variation AB.

D (R-PDSO-G8)

PLASTIC SMALL OUTLINE



NOTES: A. All linear dimensions are in inches (millimeters).  
 B. This drawing is subject to change without notice.  
 C. Body length does not include mold flash, protrusions, or gate burrs. Mold flash, protrusions, or gate burrs shall not exceed 0.006 (0,15) each side.  
 D. Body width does not include interlead flash. Interlead flash shall not exceed 0.017 (0,43) each side.  
 E. Reference JEDEC MS-012 variation AA.

## IMPORTANT NOTICE

Texas Instruments Incorporated and its subsidiaries (TI) reserve the right to make corrections, enhancements, improvements and other changes to its semiconductor products and services per JESD46, latest issue, and to discontinue any product or service per JESD48, latest issue. Buyers should obtain the latest relevant information before placing orders and should verify that such information is current and complete. All semiconductor products (also referred to herein as "components") are sold subject to TI's terms and conditions of sale supplied at the time of order acknowledgment.

TI warrants performance of its components to the specifications applicable at the time of sale, in accordance with the warranty in TI's terms and conditions of sale of semiconductor products. Testing and other quality control techniques are used to the extent TI deems necessary to support this warranty. Except where mandated by applicable law, testing of all parameters of each component is not necessarily performed.

TI assumes no liability for applications assistance or the design of Buyers' products. Buyers are responsible for their products and applications using TI components. To minimize the risks associated with Buyers' products and applications, Buyers should provide adequate design and operating safeguards.

TI does not warrant or represent that any license, either express or implied, is granted under any patent right, copyright, mask work right, or other intellectual property right relating to any combination, machine, or process in which TI components or services are used. Information published by TI regarding third-party products or services does not constitute a license to use such products or services or a warranty or endorsement thereof. Use of such information may require a license from a third party under the patents or other intellectual property of the third party, or a license from TI under the patents or other intellectual property of TI.

Reproduction of significant portions of TI information in TI data books or data sheets is permissible only if reproduction is without alteration and is accompanied by all associated warranties, conditions, limitations, and notices. TI is not responsible or liable for such altered documentation. Information of third parties may be subject to additional restrictions.

Resale of TI components or services with statements different from or beyond the parameters stated by TI for that component or service voids all express and any implied warranties for the associated TI component or service and is an unfair and deceptive business practice. TI is not responsible or liable for any such statements.

Buyer acknowledges and agrees that it is solely responsible for compliance with all legal, regulatory and safety-related requirements concerning its products, and any use of TI components in its applications, notwithstanding any applications-related information or support that may be provided by TI. Buyer represents and agrees that it has all the necessary expertise to create and implement safeguards which anticipate dangerous consequences of failures, monitor failures and their consequences, lessen the likelihood of failures that might cause harm and take appropriate remedial actions. Buyer will fully indemnify TI and its representatives against any damages arising out of the use of any TI components in safety-critical applications.

In some cases, TI components may be promoted specifically to facilitate safety-related applications. With such components, TI's goal is to help enable customers to design and create their own end-product solutions that meet applicable functional safety standards and requirements. Nonetheless, such components are subject to these terms.

No TI components are authorized for use in FDA Class III (or similar life-critical medical equipment) unless authorized officers of the parties have executed a special agreement specifically governing such use.

Only those TI components which TI has specifically designated as military grade or "enhanced plastic" are designed and intended for use in military/aerospace applications or environments. Buyer acknowledges and agrees that any military or aerospace use of TI components which have **not** been so designated is solely at the Buyer's risk, and that Buyer is solely responsible for compliance with all legal and regulatory requirements in connection with such use.

TI has specifically designated certain components as meeting ISO/TS16949 requirements, mainly for automotive use. In any case of use of non-designated products, TI will not be responsible for any failure to meet ISO/TS16949.

### Products

Audio	<a href="http://www.ti.com/audio">www.ti.com/audio</a>
Amplifiers	<a href="http://amplifier.ti.com">amplifier.ti.com</a>
Data Converters	<a href="http://dataconverter.ti.com">dataconverter.ti.com</a>
DLP® Products	<a href="http://www.dlp.com">www.dlp.com</a>
DSP	<a href="http://dsp.ti.com">dsp.ti.com</a>
Clocks and Timers	<a href="http://www.ti.com/clocks">www.ti.com/clocks</a>
Interface	<a href="http://interface.ti.com">interface.ti.com</a>
Logic	<a href="http://logic.ti.com">logic.ti.com</a>
Power Mgmt	<a href="http://power.ti.com">power.ti.com</a>
Microcontrollers	<a href="http://microcontroller.ti.com">microcontroller.ti.com</a>
RFID	<a href="http://www.ti-rfid.com">www.ti-rfid.com</a>
OMAP Applications Processors	<a href="http://www.ti.com/omap">www.ti.com/omap</a>
Wireless Connectivity	<a href="http://www.ti.com/wirelessconnectivity">www.ti.com/wirelessconnectivity</a>

### Applications

Automotive and Transportation	<a href="http://www.ti.com/automotive">www.ti.com/automotive</a>
Communications and Telecom	<a href="http://www.ti.com/communications">www.ti.com/communications</a>
Computers and Peripherals	<a href="http://www.ti.com/computers">www.ti.com/computers</a>
Consumer Electronics	<a href="http://www.ti.com/consumer-apps">www.ti.com/consumer-apps</a>
Energy and Lighting	<a href="http://www.ti.com/energy">www.ti.com/energy</a>
Industrial	<a href="http://www.ti.com/industrial">www.ti.com/industrial</a>
Medical	<a href="http://www.ti.com/medical">www.ti.com/medical</a>
Security	<a href="http://www.ti.com/security">www.ti.com/security</a>
Space, Avionics and Defense	<a href="http://www.ti.com/space-avionics-defense">www.ti.com/space-avionics-defense</a>
Video and Imaging	<a href="http://www.ti.com/video">www.ti.com/video</a>

### TI E2E Community

[e2e.ti.com](http://e2e.ti.com)



# Mouser Electronics

Authorized Distributor

Click to View Pricing, Inventory, Delivery & Lifecycle Information:

## Texas Instruments:

[LM2907M-8/NOPB](#) [LM2907M/NOPB](#) [LM2907MX-8/NOPB](#) [LM2907MX/NOPB](#) [LM2907N-8/NOPB](#) [LM2907N/NOPB](#)  
[LM2917M-8/NOPB](#) [LM2917M/NOPB](#) [LM2917MX-8](#) [LM2917MX/NOPB](#) [LM2917N-8/NOPB](#) [LM2917N/NOPB](#)