



LM293

LINEAR INTEGRATED CIRCUIT

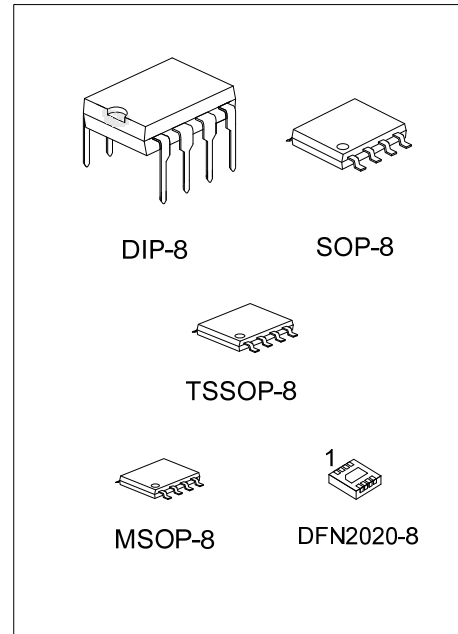
DUAL DIFFERENTIAL COMPARATOR

DESCRIPTION

The UTC **LM293** consists of two independent voltage comparators, designed specifically to operate from a single power supply over a wide voltage range.

FEATURES

- * Single or dual supply operation.
- * Wide operating supply range ($V_{CC}=2V \sim 36V$ or $\pm 1 \sim \pm 18V$)
- * Input common-mode voltage includes ground.
- * Low supply current drain $I_{CC}=0.8mA$ (Typical).
- * Low input bias current $I_{BIAS}=25nA$ (Typical).
- * Output compatible with TTL, DTL, and CMOS logic system.

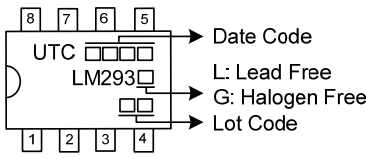
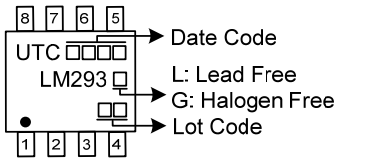
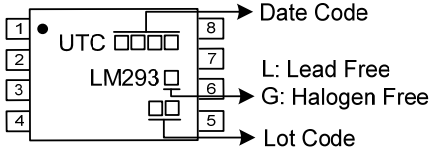
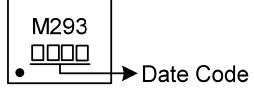


ORDERING INFORMATION

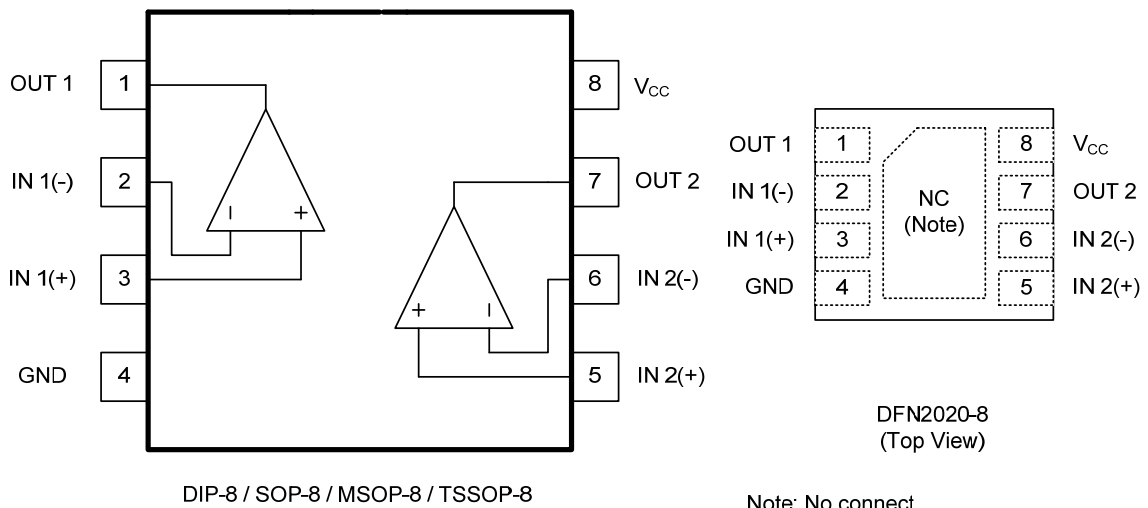
| Ordering Number | | Package | Packing |
|-------------------|-------------------|-----------|-----------|
| Lead Free | Halogen-Free | | |
| LM293L-D08-T | LM293G-D08-T | DIP-8 | Tube |
| LM293L-S08-R | LM293G-S08-R | SOP-8 | Tape Reel |
| LM293L-P08-R | LM293G-P08-R | TSSOP-8 | Tape Reel |
| LM293L-SM1-R | LM293G-SM1-R | MSOP-8 | Tape Reel |
| LM293L-K08-2020-R | LM293G-K08-2020-R | DFN2020-8 | Tape Reel |

| | |
|--|---|
| <p>LM293G-D08-T</p> <p>(1) Packing Type (2) Package Type (3) Green Package</p> | <p>(1) T: Tube, R: Tape Reel (2) D08: DIP-8, S08: SOP-8, P08: TSSOP-8, SM1: MSOP-8, K08-2020: DFN2020-8 (3) G: Halogen Free and Lead Free, L: Lead Free</p> |
|--|---|

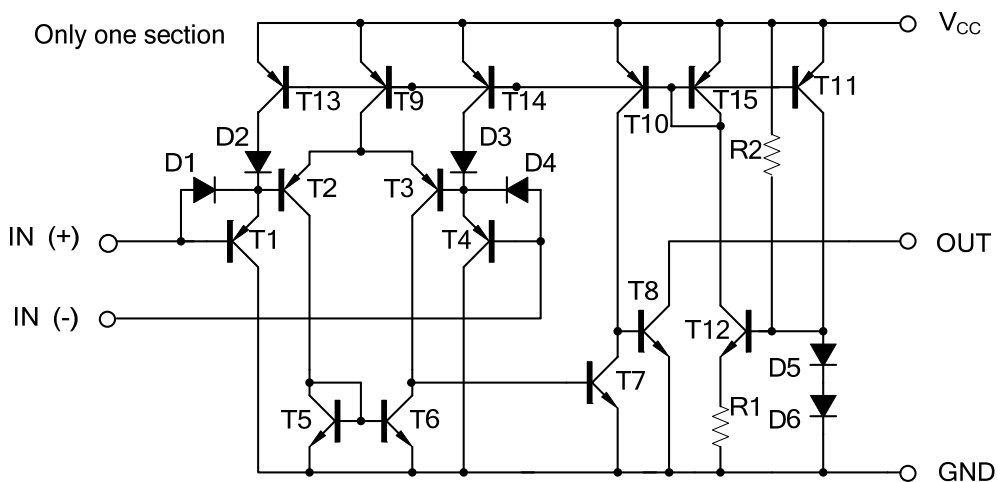
MARKING

| DIP-8 | SOP-8 / MSOP-8 |
|---|--|
|  |  |
| TSSOP-8 | DFN2020-8 |
|  |  |

PIN DESCRIPTION



BLOCK DIAGRAM



■ ABSOLUTE MAXIMUM RATINGS ($T_A = 25^\circ\text{C}$, unless otherwise specified)

| PARAMETER | | SYMBOL | RATINGS | UNIT |
|--|-----------|---------------|----------------|------------------|
| Supply Voltage | | V_{CC} | ± 18 or 36 | V |
| Differential Input Voltage | | $V_{I(DIFF)}$ | ± 36 | V |
| Input Voltage | | V_{IN} | -0.3 ~ +36 | V |
| Power Dissipation ($T_A=25^\circ\text{C}$) | DIP-8 | P_D | 780 | mW |
| | SOP-8 | | 420 | mW |
| | TSSOP-8 | | 350 | mW |
| | MSOP-8 | | 300 | mW |
| | DFN2020-8 | | 830 | mW |
| Junction Temperature | | T_J | +150 | $^\circ\text{C}$ |
| Operating Temperature Range (Note 2) | | T_{OPR} | -40 ~ +105 | $^\circ\text{C}$ |
| Storage Temperature Range | | T_{STG} | -65 ~ +150 | $^\circ\text{C}$ |

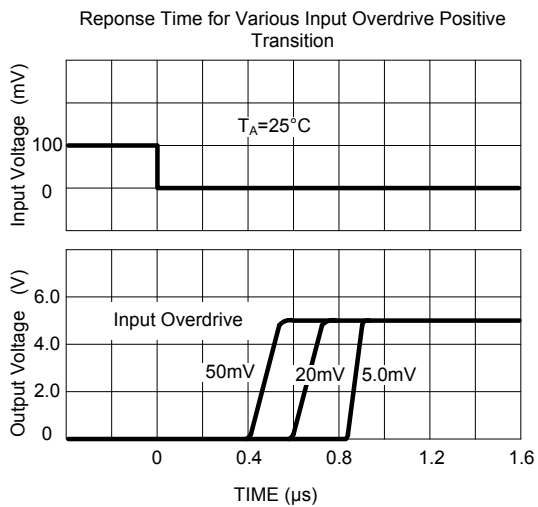
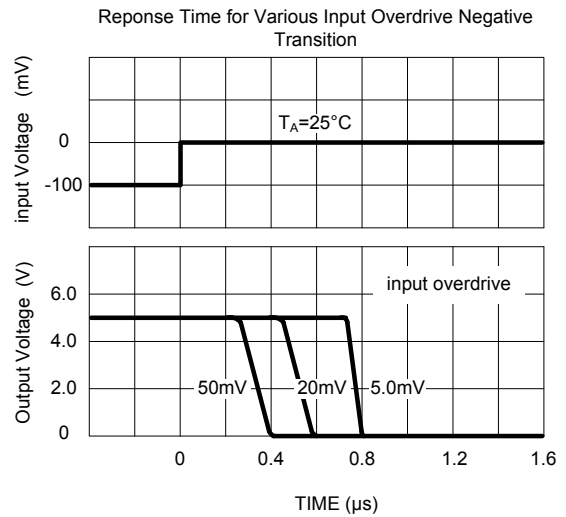
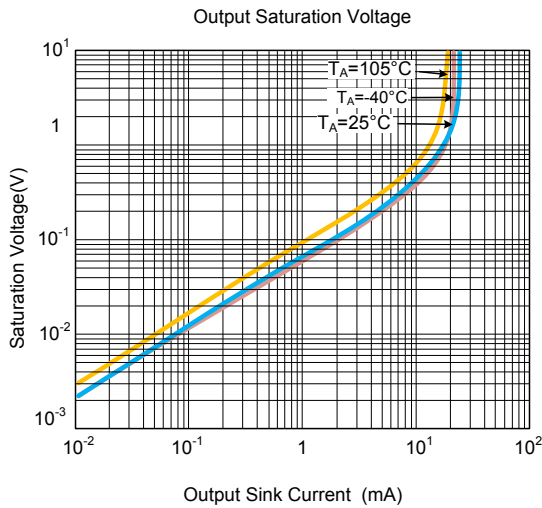
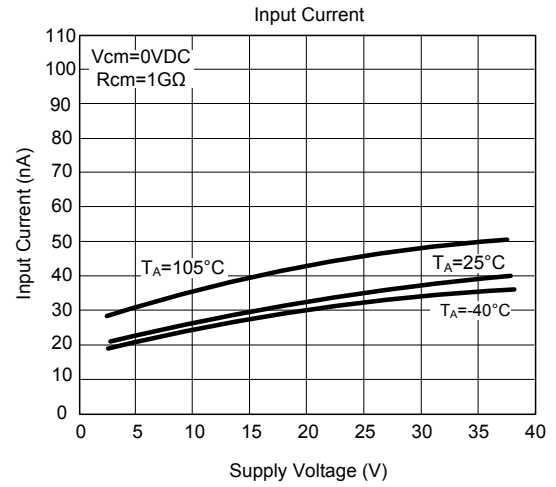
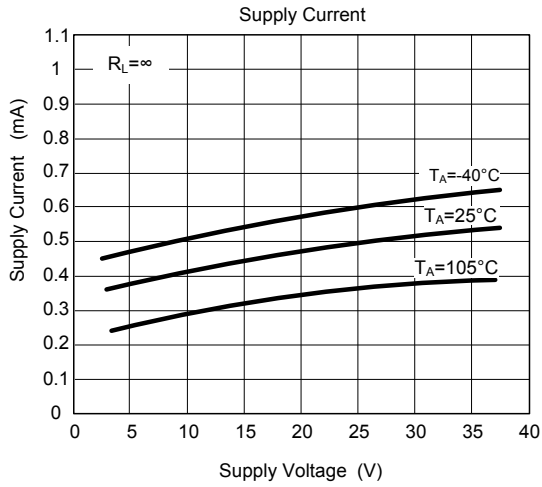
Notes: 1. Absolute maximum ratings are those values beyond which the device could be permanently damaged. Absolute maximum ratings are stress ratings only and functional device operation is not implied.
2. It is guarantee by design, not 100% be tested.

■ ELECTRICAL CHARACTERISTICS

($V_{CC}=5.0\text{V}$, $T_A=25^\circ\text{C}$, All voltage referenced to GND unless otherwise specified)

| PARAMETER | SYMBOL | TEST CONDITIONS | MIN | TYP | MAX | UNIT |
|----------------------------|---------------|--|-----------------------|------|--------------|------|
| Input Offset Voltage | $V_{I(OFF)}$ | $V_{CM}=0\text{V to }V_{CC}-1.5\text{V}$ $V_{O(P)}=1.4\text{V}$, $R_S=0\Omega$ | | 1.0 | 5.0 | mV |
| Input Offset Current | $I_{I(OFF)}$ | | | 5 | 50 | nA |
| Input Bias Current | $I_{I(BIAS)}$ | | | 25 | 250 | nA |
| Output Saturation Voltage | V_{SAT} | $V_{I(-)}>1\text{V}$, $V_{I(+)}=0\text{V}$, $I_{SINK}=4\text{mA}$ | | 160 | 400 | mV |
| Input Common Mode Voltage | $V_{I(CM)}$ | $V_{CC}=30\text{V}$ | 0 | | $V_{CC}-1.5$ | V |
| Large Signal Voltage Gain | G_V | $V_{CC}=15\text{V}$, $R_L \geq 15\text{k}\Omega$ | 50 | 200 | | V/mV |
| Power Supply Current | I_{CC} | $R_L=\infty$, $V_{CC}=30\text{V}$ | | 0.8 | 2.5 | mA |
| | | $R_L=\infty$ | | 0.6 | 1.0 | mA |
| Output Sink Current | $I_{O(SINK)}$ | $V_{I(-)}>1\text{V}$, $V_{I(+)}=0\text{V}$, $V_{O(P)}<1.5\text{V}$ | 6 | 18 | | mA |
| Output Leakage Current | $I_{O(LEAK)}$ | $V_{I(+)}=1\text{V}$, $V_{I(-)}=0$ | $V_{O(P)}=5\text{V}$ | | 0.1 | nA |
| | | | $V_{O(P)}=30\text{V}$ | | | 1.0 |
| Large Signal Response Time | t_R | $V_{IN}=\text{TTL logic wing}$ $V_{REF}=1.4\text{V}$, $V_{RL}=5\text{V}$, $R_L=5.1\text{k}\Omega$ | | 350 | | ns |
| Response Time | t_R | $V_{RL}=5\text{V}$, $R_L=5.1\text{k}\Omega$ | | 1400 | | ns |

TYPICAL CHARACTERISTICS



UTC assumes no responsibility for equipment failures that result from using products at values that exceed, even momentarily, rated values (such as maximum ratings, operating condition ranges, or other parameters) listed in products specifications of any and all UTC products described or contained herein. UTC products are not designed for use in life support appliances, devices or systems where malfunction of these products can be reasonably expected to result in personal injury. Reproduction in whole or in part is prohibited without the prior written consent of the copyright owner. UTC reserves the right to make changes to information published in this document, including without limitation specifications and product descriptions, at any time and without notice. This document supersedes and replaces all information supplied prior to the publication hereof.