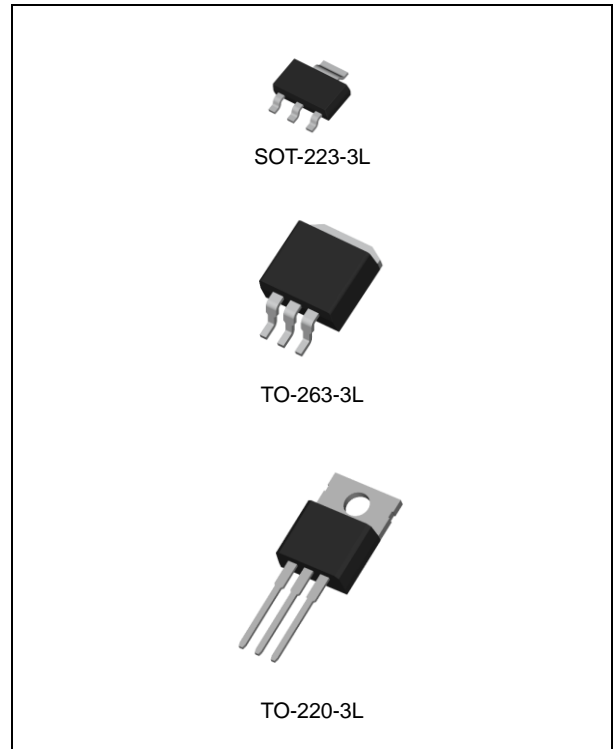


FEATURES

- Guaranteed Output Current of 1A
- Maximum Input Voltage 26V
- Low Dropout Voltage 400mV
- Low Ground Current
- Accurate 1% Guaranteed Tolerance
- Extremely Fast Transient Response
- Reverse Battery Protection
- Over-Temperature / Over-Current Protection
- Available in SOT-223-3L, TO-263-3L and TO-220-3L Package

APPLICATION

- Battery Powered Equipment
- High-Efficiency “Green” Computer Systems
- Automotive Electronics
- High-Efficiency Linear Power Supplies
- High-Efficiency Post-Regulator For Switching Supply



ORDERING INFORMATION

Device	Package
LM2940S-X.X	SOT-223-3L
LM2940R-X.X	TO-263-3L
LM2940T-X.X	TO-220-3L

X.X = Output Voltage = 3.3V, 5.0V

DESCRIPTION

The LM2940 regulator features the ability to source 1A of output current with a dropout voltage of typically 0.4V and maximum of 0.63V over the entire temperature range. The device also finds applications in lower current, low dropout-critical systems, where their tiny dropout voltage and ground current values are important attributes. LM2940 is available as fixed 3.3V, 5.0V output voltages. The LM2940 is offered in a SOT-223-3L, TO-263-3L and TO-220-3L.

ABSOLUTE MAXIMUM RATINGS (Note 1)

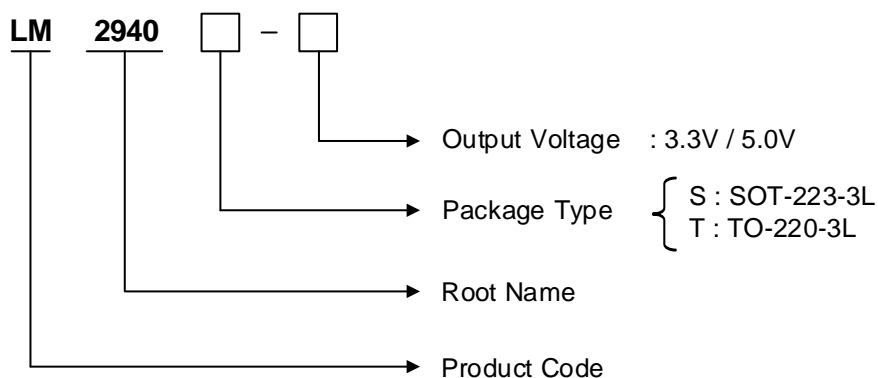
CHARACTERISTIC	SYMBOL	MIN.	MAX.	UNIT
Input Supply Voltage (Survival)	V_{IN}	-20	30	V
Maximum Output Current	I_{OUT_MAX}	-	1	A
Lead Temperature	T_{SOL}	-	260	°C
Storage Temperature Range	T_{STG}	-65	150	°C
Operating Junction Temperature Range	T_{OPR}	-40	125	°C

RECOMMENDED OPERATING RATINGS (Note 2)

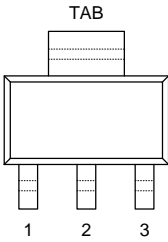
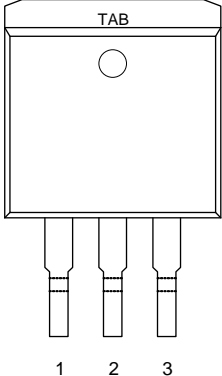
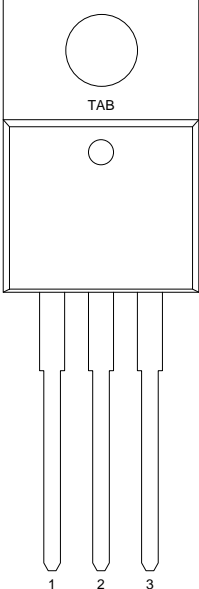
CHARACTERISTIC	SYMBOL	MIN.	MAX.	UNIT
Input Supply Voltage	V_{IN}	-	26	V
Operating Junction Temperature Range	T_{OPR}	-40	85	°C

ORDERING INFORMATION

V_{OUT}	Package	Order No.	Supplied As	Status
3.3V	SOT-223-3L	LM2940S-3.3	Reel	Active
	TO-263-3L	LM2940R-3.3	Reel	Active
	TO-220-3L	LM2940T-3.3	Tube	Active
5.0V	SOT-223-3L	LM2940S-5.0	Reel	Active
	TO-263-3L	LM2940R-5.0	Reel	Active
	TO-220-3L	LM2940T-5.0	Tube	Active



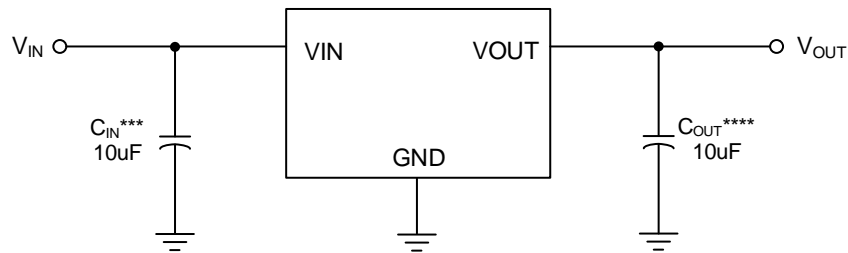
PIN CONFIGURATION

		
SOT-223	TO-263-3	TO-220

PIN DESCRIPTION

Pin No.	SOT-223-3L / TO-263-3L / TO-220-3L	
	Name	Function
1	VIN	Input Voltage
2	GND	Ground
3	VOUT	Output Voltage

TYPICAL CIRCUIT



* LM2940 can deliver a continuous current of 1A over the full operating temperature. However, the output current is limited by the restriction of power dissipation which differs from packages. A heat sink may be required depending on the maximum power dissipation and maximum ambient temperature of application. With respect to the applied package, the maximum output current of 1A may be still undeliverable.

** See Application Information.

*** C_{IN} : C_{IN} must be at least 1uF or large to maintain stability.

**** C_{OUT} : C_{OUT} must be at least 10uF or large to maintain stability.

ELECTRICAL CHARACTERISTICS (Note 3)

Limits in standard typeface are for $T_J = 25^\circ\text{C}$, and limits in **boldface type** apply over the **full operating temperature range**. Unless otherwise specified: V_{IN} (Note 4) = $V_{O(NOM)} + 1\text{V}$, $I_{OUT} = 5\text{ mA}$, $C_{IN} = 10\ \mu\text{F}$, $C_{OUT} = 10\ \mu\text{F}$

PARAMETER	SYMBOL	TEST CONDITION	MIN.	TYP.	MAX.	UNIT
Output Voltage Tolerance	V_O	$I_{OUT} = 5\text{ mA}$	-1	-	1	%
		$5\text{ mA} \leq I_{OUT} \leq 1\text{ A}$, $(V_{OUT}+1\text{V}) \leq V_{IN} \leq 26\text{V}$	-2	-	2	%
Line Regulation	ΔV_{LINE}	$I_{OUT} = 5\text{ mA}$, $(V_{OUT}+1\text{V}) \leq V_{IN} \leq 26\text{V}$	-	0.06	0.5	%
Load Regulation	ΔV_{LOAD}	$V_{IN} = V_{OUT} + 1\text{V}$, $5\text{ mA} \leq I_{OUT} \leq 1\text{ A}$	-	0.2	1	%
Output Voltage Temperature Coefficient <small>(Note 5)</small>	$\Delta V_{OUT} / \Delta T$		-	-	100	ppm/ $^\circ\text{C}$
Dropout Voltage <small>(Note 6)</small>	V_{DROP}	$I_{OUT} = 5\text{ mA}$	-	60	180	mV
		$I_{OUT} = 100\text{ mA}$	-	170	-	mV
		$I_{OUT} = 1\text{ A}$	-	400	630	mV
Ground Pin Current <small>(Note 7)</small>	I_{GND}	$I_{OUT} = 5\text{ mA}$	-	250	500	μA
		$I_{OUT} = 1\text{ A}$	-	16	25	mA
Ground Pin Current at Dropout	I_{GNDDO}	$V_{IN} = 0.5\text{V}$ less than specified V_{OUT} , $I_{OUT} = 5\text{ mA}$	-	1	-	mA
Current Limit	I_{CL}	$V_{OUT} = 0\text{V}$	-	1.5	-	A

Note 1. Exceeding the absolute maximum ratings may damage the device.

Note 2. The device is not guaranteed to function outside its operating ratings.

Note 3. Stresses listed as the absolute maximum ratings may cause permanent damage to the device. These are for stress ratings. Functional operating of the device at these or any other conditions beyond those indicated in the operational sections of the specifications is not implied. Exposure to absolute maximum rating conditions for extended periods may remain possibly to affect device reliability.

Note 4. The minimum operating value for input voltage is equal to either $(V_{OUT,NOM} + V_{DROP})$, whichever is greater.

Note 5. Output voltage temperature coefficient is defined as the worst case voltage change divided by the total temperature range.

Note 6. Dropout voltage is defined as the minimum input to output differential voltage at which the output drops 1% below the nominal value.

Note 7. Ground current, or quiescent current, is the difference between input and output currents. It's defined by $I_{GND} = I_{IN} - I_{OUT}$ under the given loading condition. The total current drawn from the supply is the sum of the load current plus the ground pin current.

APPLICATION INFORMATION

Maximum Output Current Capability

The LM2940 can deliver a continuous current of 1A over the full operating junction temperature range. However, the output current is limited by the restriction of power dissipation which differs from packages. A heat sink may be required depending on the maximum power dissipation and maximum ambient temperature of application. With respect to the applied package, the maximum output current of 1A may be still undeliverable due to the restriction of the power dissipation of LM2940. Under all possible conditions, the junction temperature must be within the range specified under operating conditions. The temperatures over the device are given by:

$$T_C = T_A + P_D \times \theta_{CA} \quad / \quad T_J = T_C + P_D \times \theta_{JC} \quad / \quad T_J = T_A + P_D \times \theta_{JA}$$

where T_J is the junction temperature, T_C is the case temperature, T_A is the ambient temperature, P_D is the total power dissipation of the device, θ_{CA} is the thermal resistance of case-to-ambient, θ_{JC} is the thermal resistance of junction-to-case, and θ_{JA} is the thermal resistance of junction to ambient. The total power dissipation of the device is given by:

$$\begin{aligned} P_D &= P_{IN} - P_{OUT} = (V_{IN} \times I_{IN}) - (V_{OUT} \times I_{OUT}) \\ &= (V_{IN} \times (I_{OUT} + I_{GND})) - (V_{OUT} \times I_{OUT}) = (V_{IN} - V_{OUT}) \times I_{OUT} + (V_{IN} \times I_{GND}) \end{aligned}$$

where I_{GND} is the operating ground current of the device which is specified at the Electrical Characteristics. The maximum allowable temperature rise (T_{Rmax}) depends on the maximum ambient temperature (T_{Amax}) of the application, and the maximum allowable junction temperature (T_{Jmax}):

$$T_{Rmax} = T_{Jmax} - T_{Amax}$$

The maximum allowable value for junction-to-ambient thermal resistance, θ_{JA} , can be calculated using the formula:

$$\theta_{JA} = T_{Rmax} / P_D = (T_{Jmax} - T_{Amax}) / P_D$$

LM2940 is available in SOT-223-3L package. The thermal resistance depends on amount of copper area or heat sink, and on air flow. If the maximum allowable value of θ_{JA} calculated above is over 137°C/W for SOT-223-3L package, no heat sink is needed since the package can dissipate enough heat to satisfy these requirements. If the value for allowable θ_{JA} falls near or below these limits, a heat sink or proper area of copper plane is required. In summary, the absolute maximum ratings of thermal resistances are as follow:

Absolute Maximum Ratings of Thermal Resistance

Characteristic	Symbol	Rating	Unit
Thermal Resistance Junction-To-Ambient / SOT-223-3L	$\theta_{JA-SOT-223-3L}$	137	°C/W
Thermal Resistance Junction-To-Ambient / SOT-263-3L	$\theta_{JA-SOT-263-3L}$	80	°C/W
Thermal Resistance Junction-To-Ambient / TO-220-3L	$\theta_{JA-TO-220-3L}$	70	°C/W

No heat sink / No air flow / No adjacent heat source / $T_A=25^\circ\text{C}$

REVISION NOTICE

The description in this datasheet is subject to change without notice to describe its electrical characteristics properly.