



LM317S

Preliminary

LINEAR INTEGRATED CIRCUIT

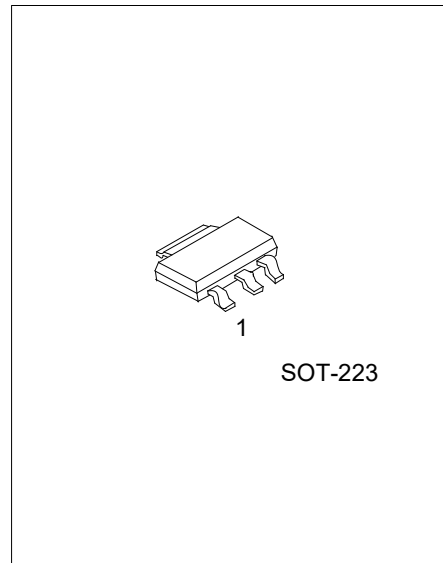
HIGH CURRENT 1.3V TO 37V ADJUSTABLE VOLTAGE REGULATOR

DESCRIPTION

The UTC **LM317S** is an adjustable 3-terminal positive voltage regulator, designed to supply 1A of output current with voltage adjustable from 1.3V ~ 37V.

FEATURES

- *Output voltage adjustable from 1.3V ~ 37V
- *Output current in excess of 1A
- *Internal short circuit protection
- *Internal over temperature protection
- *Output transistor safe area compensation



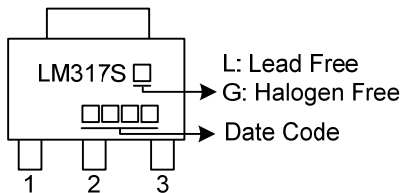
ORDERING INFORMATION

Ordering Number		Package	Pin Assignment			Packing
Lead Free	Halogen Free		1	2	3	
LM317SL-AA3-R	LM317SG-AA3-R	SOT-223	ADJ	O	I	Tape Reel

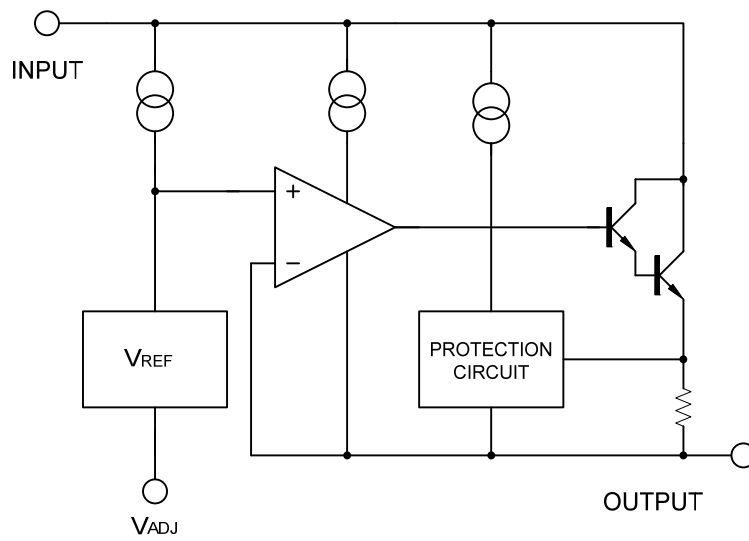
Note: Pin Assignment: O: V_{OUT} I: V_{IN}

<p>LM317SG-AA3-R</p> <p>(1) Packing Type (2) Package Type (3) Green Package</p>	<p>(1) R: Tape Reel (2) AA3: SOT-223 (3) G: Halogen Free and Lead Free, K: Lead Free</p>
---	--

MARKING



■ BLOCK DIAGRAM



■ ABSOLUTE MAXIMUM RATINGS ($T_A=25^\circ\text{C}$, unless otherwise specified)

PARAMETER	SYMBOL	RATINGS	UNIT
Input - Output Voltage Difference	$V_{IN}-V_{OUT}$	40	V
Power Dissipation	P_D	Internal limited	
Junction Temperature	T_J	+150	$^\circ\text{C}$
Operating Temperature	T_{OPR}	-40 ~ +125	$^\circ\text{C}$
Storage Temperature	T_{STG}	-40 ~ +150	$^\circ\text{C}$

Note: Absolute maximum ratings are stress ratings only and functional device operation is not implied. The device could be damaged beyond Absolute maximum ratings.

■ THERMAL DATA

PARAMETER	SYMBOL	RATINGS	UNIT
Junction to Ambient	θ_{JA}	165	$^\circ\text{C}/\text{W}$
Junction to Case	θ_{JC}	23	$^\circ\text{C}/\text{W}$

■ ELECTRICAL CHARACTERISTICS

($V_{IN}-V_{OUT}=5\text{V}$, $I_{OUT}=10\text{mA}$, $T_A=25^\circ\text{C}$, unless otherwise specified.)

PARAMETER	SYMBOL	TEST CONDITIONS	MIN	TYP	MAX	UNIT
Line Regulation	$\Delta V_{OUT}/V_{OUT}$	$3\text{V} \leq V_{IN}-V_{OUT} \leq 40\text{V}$		0.01	0.04	%/V
Load Regulation	ΔV_{OUT}	$10\text{mA} \leq I_{OUT} \leq 1\text{A}$		5	25	mV
				0.1	0.5	%
Adjustable Pin Current	I_{ADJ}			50	100	μA
Adjustable Pin Current Change	ΔI_{ADJ}	$3\text{V} \leq V_{IN}-V_{OUT} \leq 40\text{V}$, $10\text{mA} \leq I_{OUT} \leq 1\text{A}$, $P_D \leq P_{max}$		0.2	5	μA
Reference Voltage	V_{REF}	$3\text{V} \leq V_{IN}-V_{OUT} \leq 40\text{V}$, $10\text{mA} \leq I_{OUT} \leq 1\text{A}$, $P_D \leq P_{max}$	1.20	1.25	1.30	V
Temperature Stability		$T_{MIN} \leq T_J \leq T_{MAX}$		0.7		%/ V_{OUT}
Minimum Load Current for Regulation	$I_{L(MIN)}$	$V_{IN}-V_{OUT}=40\text{V}$		3.5	10	mA
Maximum Output Current	$I_{O(MAX)}$	$V_{IN}-V_{OUT}=40\text{V}$, $P_D \leq P_{max}$	0.2	0.3		A
RMS Noise vs. % of V_{OUT}	eN	$10\text{Hz} \leq f \leq 10\text{KHz}$		0.003		%/ V_{OUT}
Ripple Rejection	RR	$V_{OUT}=10\text{V}$, $f=120\text{Hz}$		65		dB
			$C_{ADJ}=10\mu\text{F}$	66	80	

Note: C_{ADJ} is connected between Adjust pin and Ground.

APPLICATION CIRCUITS

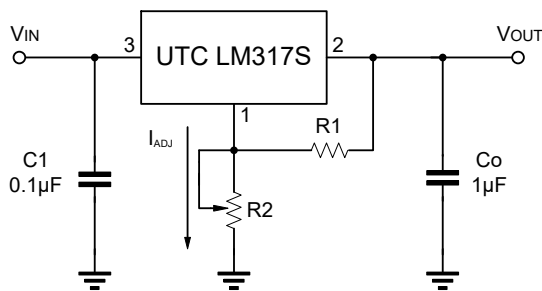


Fig.1 Programmable voltage regulator

$$V_{OUT} = 1.25V \times (1 + R2/R1) + I_{ADJ} \times R2$$

C1 is required when regulator is located an appreciated distance from power supply. Co is needed to improve transient response.

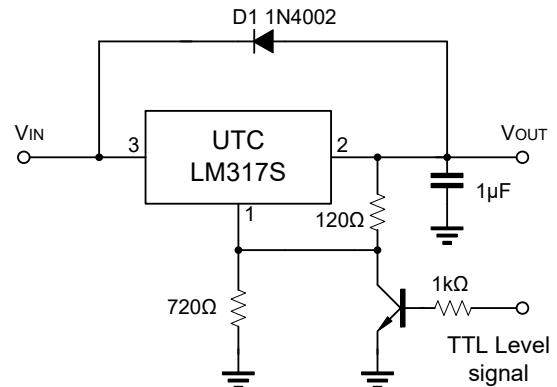


Fig.2 Regulator with On-off control

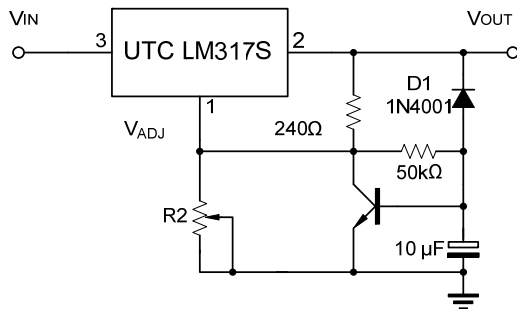
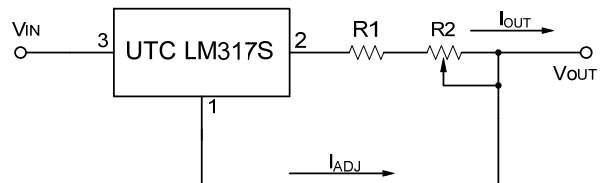


Fig.3 Soft Start Application



$$I_{O(MAX)} = \left(\frac{V_{REF}}{R1} \right) + I_{ADJ} = \frac{1.25V}{R1}$$

$$I_{O(MIN)} = \left(\frac{V_{REF}}{R1+R2} \right) + I_{ADJ} = \frac{1.25V}{R1+R2}$$

Fig.4 Constant Current Application

UTC assumes no responsibility for equipment failures that result from using products at values that exceed, even momentarily, rated values (such as maximum ratings, operating condition ranges, or other parameters) listed in products specifications of any and all UTC products described or contained herein. UTC products are not designed for use in life support appliances, devices or systems where malfunction of these products can be reasonably expected to result in personal injury. Reproduction in whole or in part is prohibited without the prior written consent of the copyright owner. UTC reserves the right to make changes to information published in this document, including without limitation specifications and product descriptions, at any time and without notice. This document supersedes and replaces all information supplied prior to the publication hereof.