

LM136-2.5/LM236-2.5/LM336-2.5V Reference Diode

General Description

The LM136-2.5/LM236-2.5 and LM336-2.5 integrated circuits are precision 2.5V shunt regulator diodes. These monolithic IC voltage references operate as a low-temperature-coefficient 2.5V zener with 0.2Ω dynamic impedance. A third terminal on the LM136-2.5 allows the reference voltage and temperature coefficient to be trimmed easily.

The LM136-2.5 series is useful as a precision 2.5V low voltage reference for digital voltmeters, power supplies or op amp circuitry. The 2.5V make it convenient to obtain a stable reference from 5V logic supplies. Further, since the LM136-2.5 operates as a shunt regulator, it can be used as either a positive or negative voltage reference.

The LM136-2.5 is rated for operation over -55°C to +125°C while the LM236-2.5 is rated over a -25°C to +85°C temperature range.

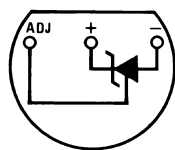
The LM336-2.5 is rated for operation over a 0°C to +70°C temperature range. See the connection diagrams for available packages.

Features

- Low temperature coefficient
- Wide operating current of 400 μA to 10 mA
- 0.2Ω dynamic impedance
- ±1% initial tolerance available
- Guaranteed temperature stability
- Easily trimmed for minimum temperature drift
- Fast turn-on
- Three lead transistor package

Connection Diagrams

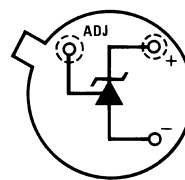
**TO-92
Plastic Package**



DS005715-8

Bottom View
Order Number LM236Z-2.5,
LM236AZ-2.5, LM336Z-2.5 or LM336BZ-2.5
See NS Package Number Z03A

**TO-46
Metal Can Package**

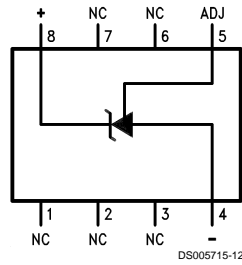


DS005715-20

Bottom View
Order Number LM136H-2.5,
LM136H-2.5/883, LM236H-2.5,
LM136AH-2.5, LM136AH-2.5/883
or LM236AH-2.5
See NS Package Number H03H

Connection Diagrams (Continued)

SO Package

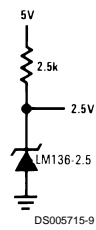


Top View

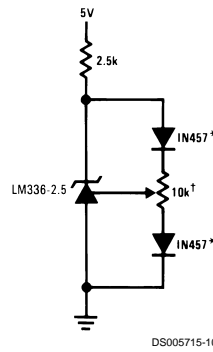
Order Number LM236M-2.5,
LM236AM-2.5, LM336M-2.5
or LM336BM-2.5
See NS Package Number M08A

Typical Applications

2.5V Reference



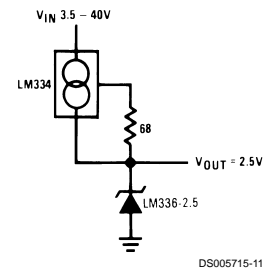
2.5V Reference with Minimum Temperature Coefficient



[†]Adjust to 2.490V

*Any silicon signal diode

Wide Input Range Reference



Absolute Maximum Ratings (Note 1)

If Military/Aerospace specified devices are required, please contact the National Semiconductor Sales Office/Distributors for availability and specifications.

| | |
|---------------------|-----------------|
| Reverse Current | 15 mA |
| Forward Current | 10 mA |
| Storage Temperature | -60°C to +150°C |

Operating Temperature Range (Note 2)

| | |
|-------|-----------------|
| LM136 | -55°C to +150°C |
| LM236 | -25°C to +85°C |
| LM336 | 0°C to +70°C |

Soldering Information

| | |
|-------------------------|-------|
| TO-92 Package (10 sec.) | 260°C |
| TO-46 Package (10 sec.) | 300°C |
| SO Package | |
| Vapor Phase (60 sec.) | 215°C |
| Infrared (15 sec.) | 220°C |

See AN-450 "Surface Mounting Methods and Their Effect on Product Reliability" (Appendix D) for other methods of soldering surface mount devices.

Electrical Characteristics (Note 3)

| Parameter | Conditions | LM136A-2.5/LM236A-2.5 | | | LM336B-2.5 | | | Units |
|---------------------------------------|--|-----------------------|-------|-------|------------|-------|-------|----------|
| | | LM136-2.5/LM236-2.5 | | | LM336-2.5 | | | |
| | | Min | Typ | Max | Min | Typ | Max | |
| Reverse Breakdown Voltage | $T_A=25^\circ\text{C}$, $I_R=1\text{ mA}$ | | | | | | | V |
| | LM136, LM236, LM336 | 2.440 | 2.490 | 2.540 | 2.390 | 2.490 | 2.590 | V |
| | LM136A, LM236A, LM336B | 2.465 | 2.490 | 2.515 | 2.440 | 2.490 | 2.540 | V |
| Reverse Breakdown Change With Current | $T_A=25^\circ\text{C}$, $400\ \mu\text{A}\leq I_R\leq 10\text{ mA}$ | | 2.6 | 6 | | 2.6 | 10 | mV |
| Reverse Dynamic Impedance | $T_A=25^\circ\text{C}$, $I_R=1\text{ mA}$, $f=100\text{ Hz}$ | | 0.2 | 0.6 | | 0.2 | 1 | Ω |
| Temperature Stability (Note 4) | V_R Adjusted to 2.490V | | | | | | | |
| | $I_R=1\text{ mA}$, Figure 2 | | | | | | | |
| | $0^\circ\text{C}\leq T_A\leq 70^\circ\text{C}$ (LM336) | | | | | 1.8 | 6 | mV |
| | $-25^\circ\text{C}\leq T_A\leq +85^\circ\text{C}$ (LM236H, LM236Z) | | 3.5 | 9 | | | | mV |
| | $-25^\circ\text{C}\leq T_A\leq +85^\circ\text{C}$ (LM236M) | | 7.5 | 18 | | | | mV |
| | $-55^\circ\text{C}\leq T_A\leq +125^\circ\text{C}$ (LM136) | | 12 | 18 | | | | mV |
| Reverse Breakdown Change With Current | $400\ \mu\text{A}\leq I_R\leq 10\text{ mA}$ | | 3 | 10 | | 3 | 12 | mV |
| Reverse Dynamic Impedance | $I_R=1\text{ mA}$ | | 0.4 | 1 | | 0.4 | 1.4 | Ω |
| Long Term Stability | $T_A=25^\circ\text{C}\pm 0.1^\circ\text{C}$, $I_R=1\text{ mA}$, $t=1000\text{ hrs}$ | | 20 | | | 20 | | ppm |

Note 1: Absolute Maximum Ratings indicate limits beyond which damage to the device may occur. Electrical specifications do not apply when operating the device beyond its specified operating conditions.

Note 2: For elevated temperature operation, T_J max is:

| | |
|-------|-------|
| LM136 | 150°C |
| LM236 | 125°C |
| LM336 | 100°C |

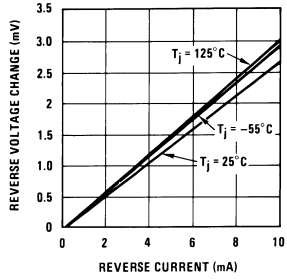
| Thermal Resistance | TO-92 | TO-46 | SO-8 |
|-------------------------------------|---|---------|---------|
| θ_{ja} (Junction to Ambient) | 180°C/W (0.4" leads) 170°C/W (0.125" lead) | 440°C/W | 165°C/W |
| θ_{jc} (Junction to Case) | n/a | 80°C/W | n/a |

Note 3: Unless otherwise specified, the LM136-2.5 is specified from $-55^\circ\text{C}\leq T_A\leq +125^\circ\text{C}$, the LM236-2.5 from $-25^\circ\text{C}\leq T_A\leq +85^\circ\text{C}$ and the LM336-2.5 from $0^\circ\text{C}\leq T_A\leq +70^\circ\text{C}$.

Note 4: Temperature stability for the LM336 and LM236 family is guaranteed by design. Design limits are guaranteed (but not 100% production tested) over the indicated temperature and supply voltage ranges. These limits are not used to calculate outgoing quality levels. Stability is defined as the maximum change in V_{ref} from 25°C to T_A (min) or T_A (max).

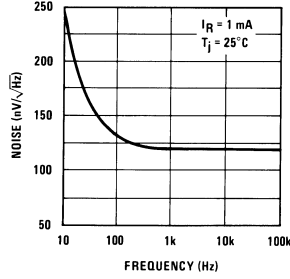
Typical Performance Characteristics

Reverse Voltage Change



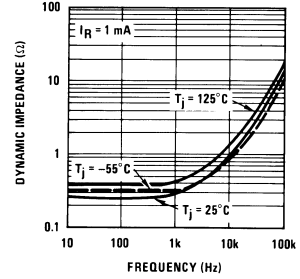
DS005715-21

Zener Noise Voltage



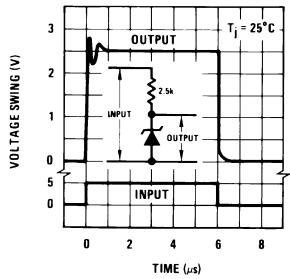
DS005715-22

Dynamic Impedance



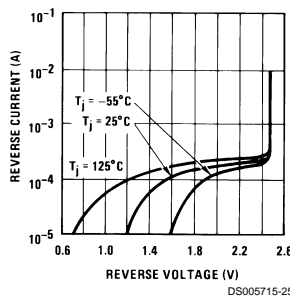
DS005715-23

Response Time



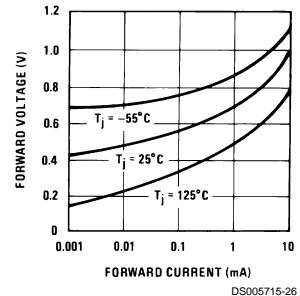
DS005715-24

Reverse Characteristics



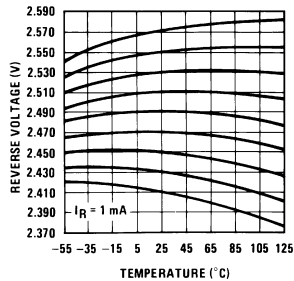
DS005715-25

Forward Characteristics



DS005715-26

Temperature Drift



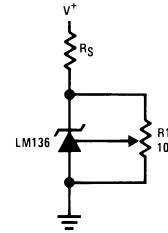
DS005715-27

Application Hints

The LM136 series voltage references are much easier to use than ordinary zener diodes. Their low impedance and wide operating current range simplify biasing in almost any circuit. Further, either the breakdown voltage or the temperature coefficient can be adjusted to optimize circuit performance.

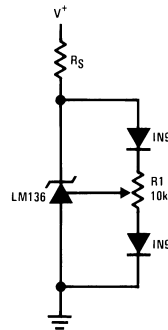
Figure 1 shows an LM136 with a 10k potentiometer for adjusting the reverse breakdown voltage. With the addition of R1 the breakdown voltage can be adjusted without affecting the temperature coefficient of the device. The adjustment range is usually sufficient to adjust for both the initial device tolerance and inaccuracies in buffer circuitry.

If minimum temperature coefficient is desired, two diodes can be added in series with the adjustment potentiometer as shown in Figure 2. When the device is adjusted to 2.490V the temperature coefficient is minimized. Almost any silicon signal diode can be used for this purpose such as a 1N914, 1N4148 or a 1N457. For proper temperature compensation the diodes should be in the same thermal environment as the LM136. It is usually sufficient to mount the diodes near the LM136 on the printed circuit board. The absolute resistance of R1 is not critical and any value from 2k to 20k will work.



DS005715-28

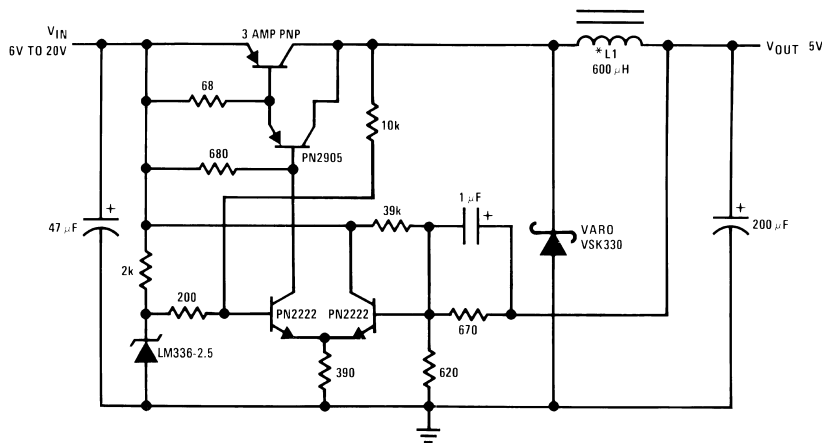
FIGURE 1. LM136 With Pot for Adjustment of Breakdown Voltage
(Trim Range = ± 120 mV typical)



DS005715-29

FIGURE 2. Temperature Coefficient Adjustment
(Trim Range = ± 70 mV typical)

Low Cost 2 Amp Switching Regulator[†]



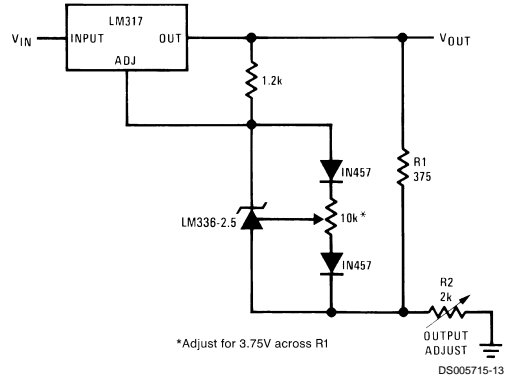
DS005715-5

[†]L1 60 turns #16 wire on Arnold Core A-254168-2

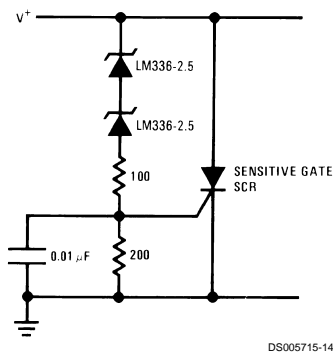
[†]Efficiency = 80%

Application Hints (Continued)

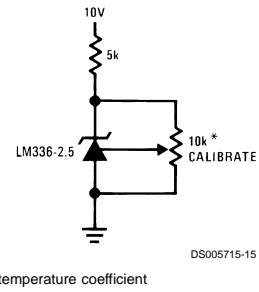
Precision Power Regulator with Low Temperature Coefficient



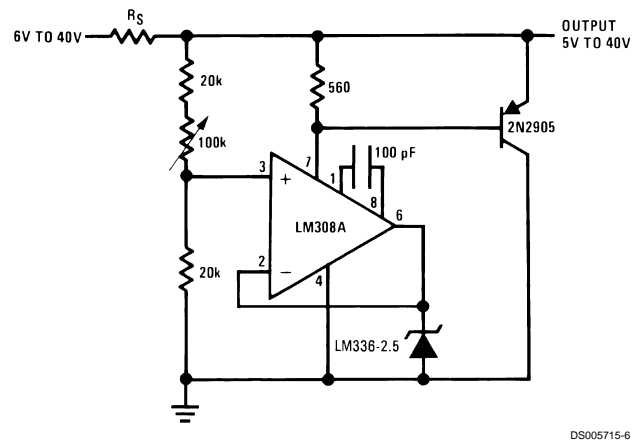
5V Crowbar



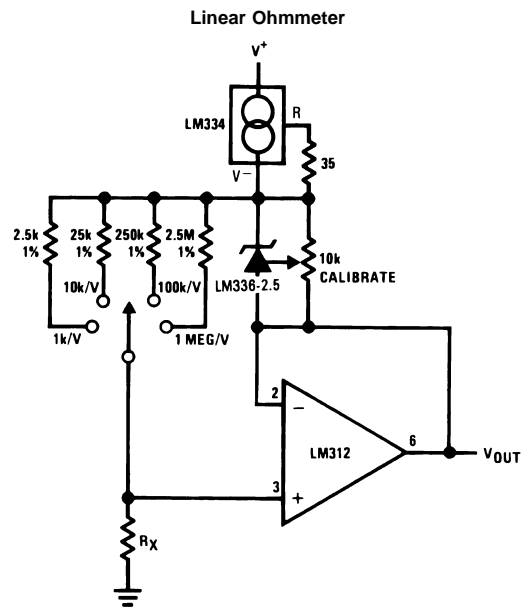
Trimmed 2.5V Reference with Temperature Coefficient Independent of Breakdown Voltage



Adjustable Shunt Regulator



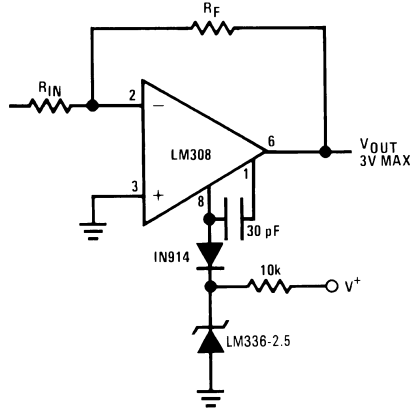
Application Hints (Continued)



DS005715-16

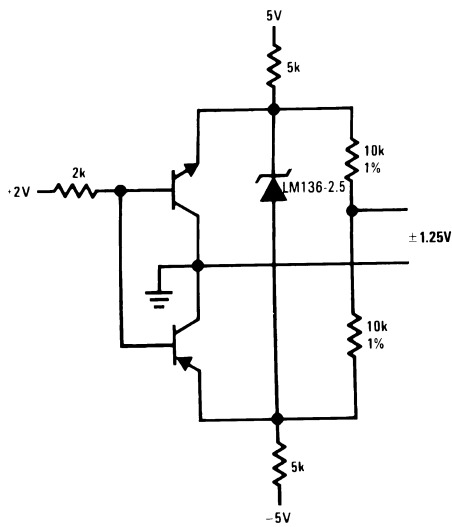
Application Hints (Continued)

Op Amp with Output Clamped



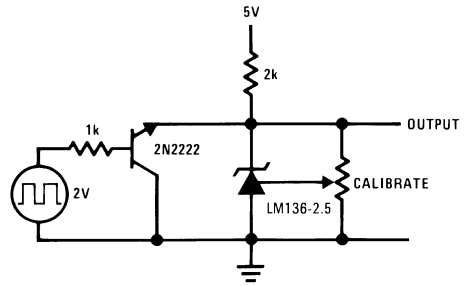
DS005715-17

Bipolar Output Reference



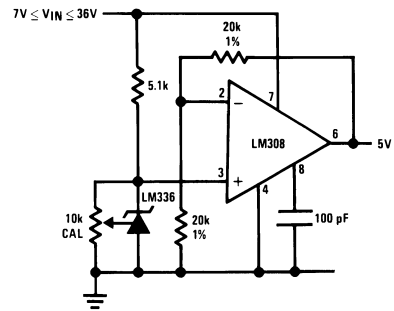
DS005715-18

2.5V Square Wave Calibrator



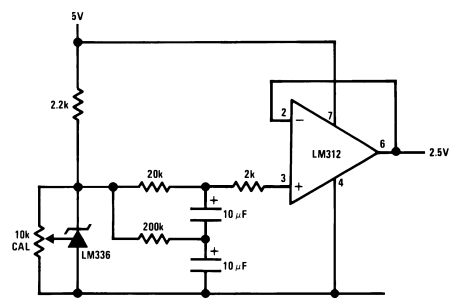
DS005715-19

5V Buffered Reference



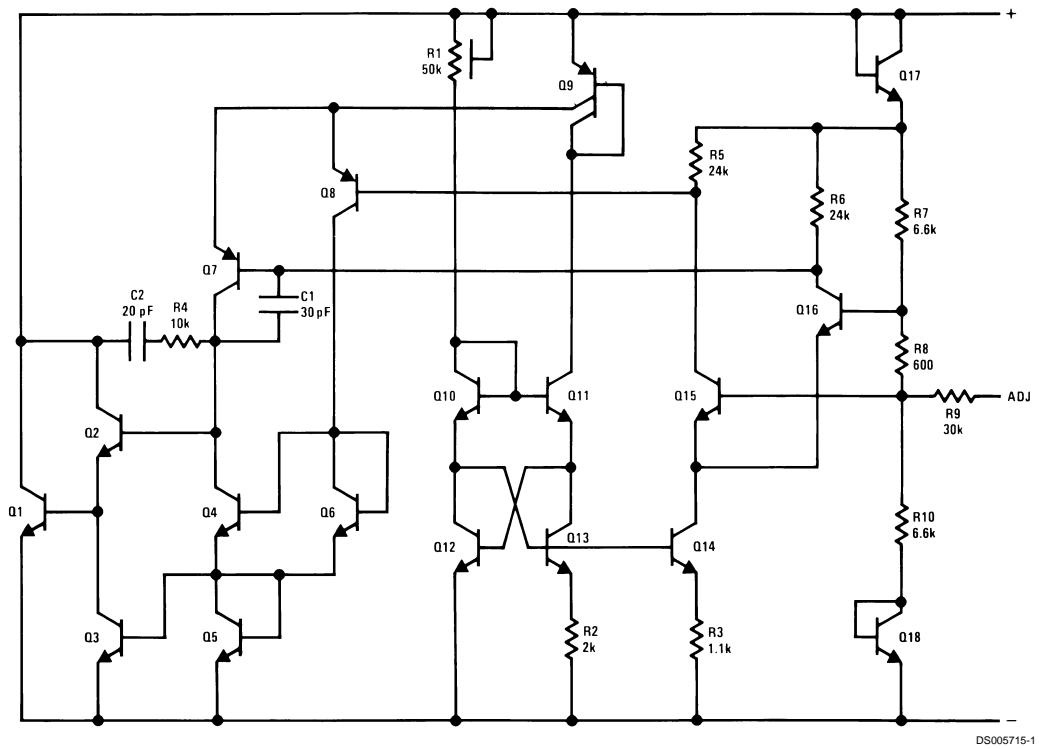
DS005715-30

Low Noise Buffered Reference

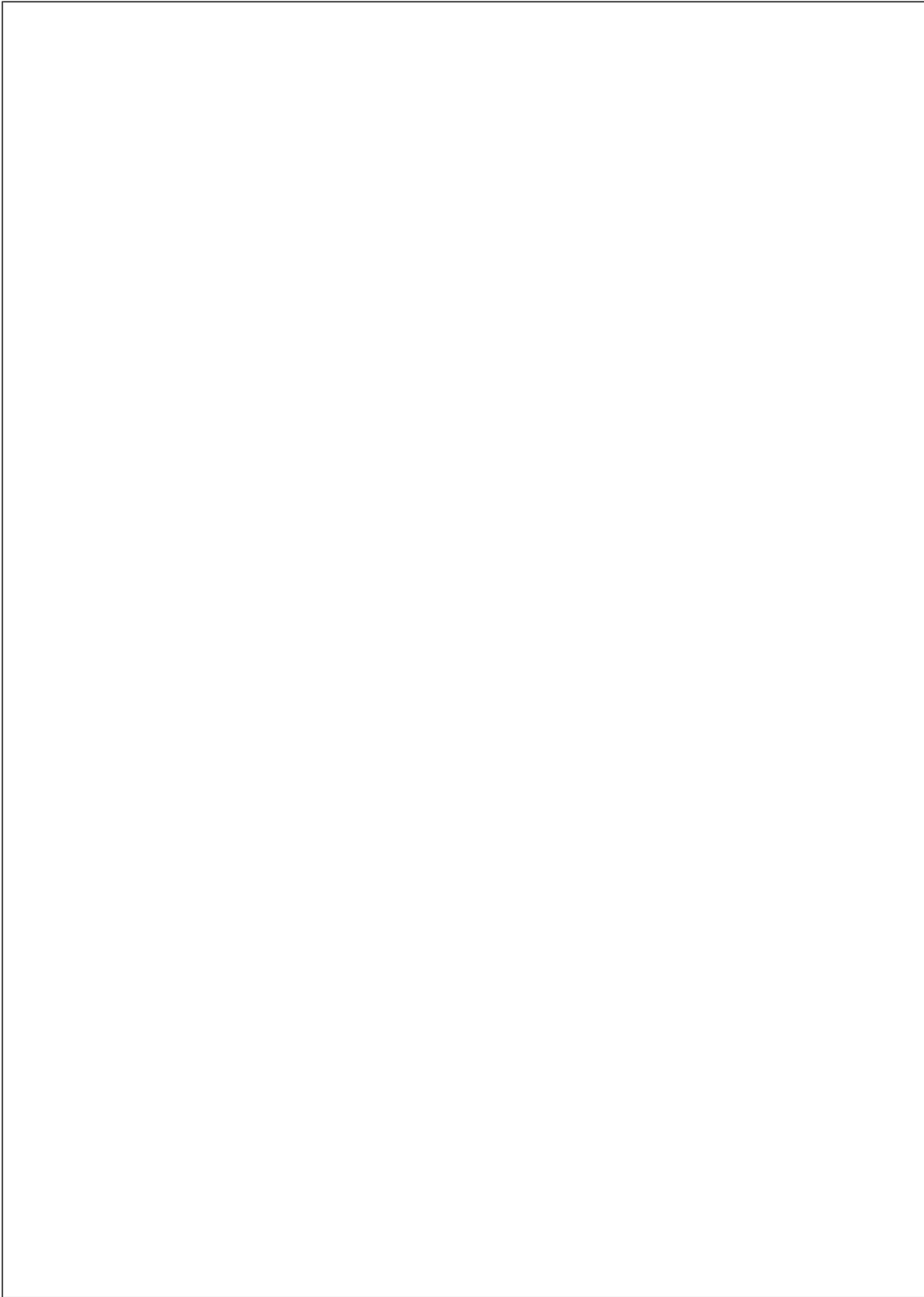


DS005715-31

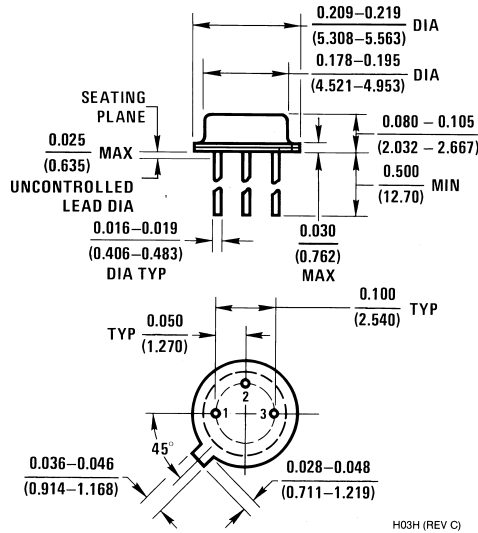
Schematic Diagram



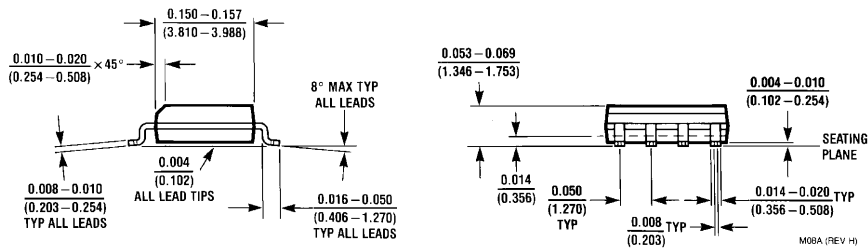
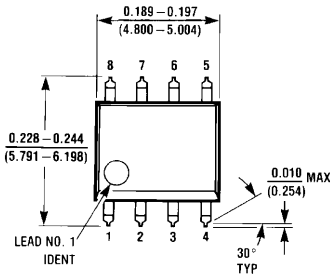
DS005715-1



Physical Dimensions inches (millimeters) unless otherwise noted

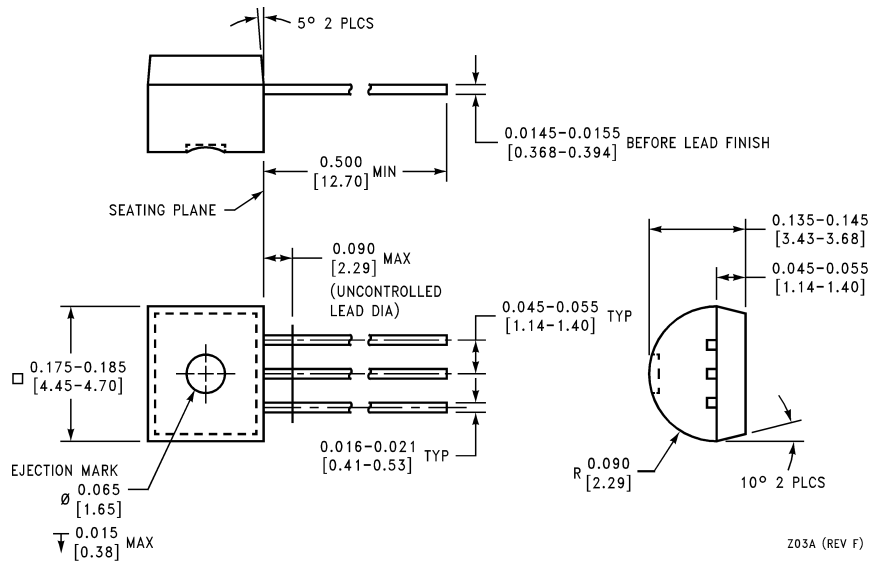


Order Number LM136H-2.5, LM136H-2.5/883, LM236H-2.5, LM136AH-2.5, LM136AH-2.5/883 or LM236AH-2.5
NS Package Number H03H



Small Outline (SO) Package (M)
Order Number LM236M-2.5, LM236AM-2.5, LM336M-2.5 or LM336BM-2.5
NS Package Number M08A

Physical Dimensions inches (millimeters) unless otherwise noted (Continued)



Z03A (REV F)

TO-92 Plastic Package (Z)
Order Number LM236Z-2.5, LM236AZ-2.5, LM336Z-2.5 or LM336BZ-2.5
NS Package Number Z03A

LIFE SUPPORT POLICY

NATIONAL'S PRODUCTS ARE NOT AUTHORIZED FOR USE AS CRITICAL COMPONENTS IN LIFE SUPPORT DEVICES OR SYSTEMS WITHOUT THE EXPRESS WRITTEN APPROVAL OF THE PRESIDENT OF NATIONAL SEMICONDUCTOR CORPORATION. As used herein:

1. Life support devices or systems are devices or systems which, (a) are intended for surgical implant into the body, or (b) support or sustain life, and whose failure to perform when properly used in accordance with instructions for use provided in the labeling, can be reasonably expected to result in a significant injury to the user.
2. A critical component is any component of a life support device or system whose failure to perform can be reasonably expected to cause the failure of the life support device or system, or to affect its safety or effectiveness.



National Semiconductor Corporation
 Americas
 Tel: 1-800-272-9959
 Fax: 1-800-737-7018
 Email: support@nsc.com

National Semiconductor Europe
 Fax: +49 (0) 1 80-530 85 86
 Email: europe.support@nsc.com
 Deutsch Tel: +49 (0) 1 80-530 85 85
 English Tel: +49 (0) 1 80-532 78 32
 Français Tel: +49 (0) 1 80-532 93 58
 Italiano Tel: +49 (0) 1 80-534 16 80

National Semiconductor Asia Pacific Customer Response Group
 Tel: 65-2544466
 Fax: 65-2504466
 Email: sea.support@nsc.com

National Semiconductor Japan Ltd.
 Tel: 81-3-5639-7560
 Fax: 81-3-5639-7507

www.national.com