

500mA Current Limited Power Switch

 Check for Samples: [LM34904](#)

FEATURES

- Input Voltage of 2.8V to 5.3V
- 0.5A Maximum Switch Current
- 0.4Ω Typical Total On-Resistance
- Load Detection
- Enable/Disable
- Switch On Indicator
- Peak Current Limit
- Thermal Shutdown
- 6-bump Thin DSBGA Package

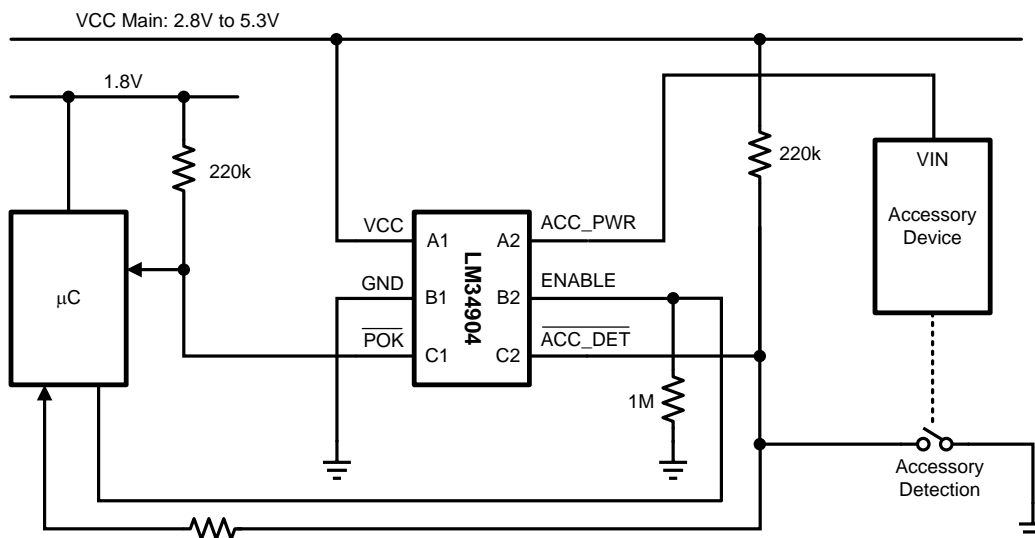
DESCRIPTION

The LM34904 is a 0.5A PFET switch used to control the input voltage of electronic devices. It is easily integrated into system designs that have a 2.8V to 5.3V voltage rail. Besides the 0.4Ω PFET switch, the LM34904 can be enabled or disabled by a logic signal. The IC monitors the presence of a downstream electronic device via a dedicated pin to decide whether to turn on the PFET switch. A power good signal generated by the IC can be used by system control to determine the status of the switch. The LM34904 also provides over-current and over-temperature protection. The IC comes in a tiny 6-bump thin DSBGA package.

APPLICATIONS

- Handsets, Tablets, Notebooks
- Portable Devices

Typical Application Circuit



Please be aware that an important notice concerning availability, standard warranty, and use in critical applications of Texas Instruments semiconductor products and disclaimers thereto appears at the end of this data sheet.

All trademarks are the property of their respective owners.

Connection Diagram

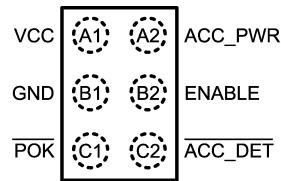


Figure 1. Top View - 6-Bump Thin DSBGA Package
See Package Number YFQ

PIN DESCRIPTIONS

Name	Pin Number	Function
VCC	A1	Power input of the PFET switch. It also provides power to the entire IC. Connect to the voltage rail that the accessory device is expected to work off.
GND	B1	Common Ground (device substrate).
$\overline{\text{POK}}$	C1	Open-drain PFET status indicator. When the PFET is off, this pin floats. When PFET is on, it is grounded.
$\overline{\text{ACC_DET}}$	C2	Pull this pin low to tell the IC that the downstream accessory device is plugged in.
ENABLE	B2	When this pin is low, the PFET will be turned off and $\overline{\text{POK}}$ will be open-drained. Current limit circuitry will also be disabled. The IC will be in a low-power state. This pin should be held low until VCC is established to ensure proper initial state of internal logic. When ENABLE is high, the PFET switch will be allowed to turn on.
ACC_PWR	A2	Power output terminal of the PFET switch. Connect to input rail of accessory device.

Truth Table⁽¹⁾

Input					Output	
ENABLE	$\overline{\text{ACC_DET}}$	Current Limit Detected	T _J Limit Exceeded	2.8V < VCC < 5.3V	PFET Switch Status	$\overline{\text{POK}}$
0	x	No	No	Yes	Open	Open Drain
x	1	No	No	Yes	Open	Open Drain
0 to 1	0	No	No	Yes	On	Grounded
0 to 1	0	Yes	No	Yes	Current Limited	Grounded
x	x	x	Yes	2.2V < VCC < 5.3V	Open	Open Drain
0	x	x	No	2.2V < VCC < 2.8V	Open	Open Drain

(1) Note: "x" stands for "don't care".



These devices have limited built-in ESD protection. The leads should be shorted together or the device placed in conductive foam during storage or handling to prevent electrostatic damage to the MOS gates.

Absolute Maximum Ratings⁽¹⁾⁽²⁾

VCC	-0.3V to 6V
ENABLE, $\overline{\text{POK}}$, $\overline{\text{ACC_DET}}$, ACC_PWR ⁽³⁾	-0.3V to 6V
Junction Temperature (T _J)	+150°C
Storage Temperature Range	-65°C to +150°C
ESD Susceptibility, Human Body Model ⁽⁴⁾	2kV

- (1) Absolute Maximum Ratings are limits beyond which damage to the device may occur. Operating Ratings are conditions under which operation of the device is ensured. Operating Ratings do not imply ensured performance limits. For ensured performance limits and associated test conditions, see the Electrical Characteristics table.
- (2) If Military/Aerospace specified devices are required, please contact the Texas Instruments Sales Office/ Distributors for availability and specifications.
- (3) The voltages on these pins should never exceed VCC+0.3V.
- (4) The human body model is a 100 pF capacitor discharged through a 1.5 kΩ resistor into each pin. Test method is per JESD-22-A114.

Operating Ratings

VCC Voltage ⁽¹⁾	2.8V to 5.3V
Junction Temperature (T _J), LM34904	-40°C to +85°C

- (1) For VCC between 2.2V and 2.8V, if ENABLE is a logic low, the LM34904 will not turn on the PFET switch.

Electrical Characteristics

Unless otherwise stated, the following conditions apply: VCC = 3V. Limits in standard type are for T_J = 25°C only; limits in **boldface type** apply over the operating junction temperature (T_J) range. Minimum and maximum limits are ensured through test, design, or statistical correlation. Typical values represent the most likely parametric norm at T_J = 25°C and are provided for reference purposes only.

Symbol	Parameter	Conditions	Min	Typ	Max	Units
V _{IL}	Input Low Voltage, $\overline{\text{ACC_DET}}$, ENABLE				0.45	V
V _{IH}	Input High Voltage, $\overline{\text{ACC_DET}}$, ENABLE		1.35			V
V _{IHS}	Input Hysteresis, $\overline{\text{ACC_DET}}$, ENABLE			55		mV
I _{LK}	Input Current, $\overline{\text{ACC_DET}}$, ENABLE	$\overline{\text{ACC_DET}}$, ENABLE between 0V and VCC			1	μA
I _{SD}	VCC Current in Shutdown Mode	V _{ENABLE} = 0V V _{VCC} = 5.3V		0.005	1	μA
I _Q	VCC Quiescent Current	V _{ENABLE} = 1.8V V _{VCC} = 5.3V, I _{ACC_PWR} = 0A		47	100	μA
R _{ON}	Total On Resistance Between VCC and ACC_PWR Pins	V _{VCC} = 2.8V to 5.3V I _{ACC_PWR} = 0.5A		0.4	0.6	Ω
I _{LK_ACC}	ACC_PWR Leakage Current When PFET is Off	V _{ACC_PWR} = 0V to VCC V _{VCC} = 5.3V V _{ENABLE} = 0V			1	μA
I _{LIMIT}	PFET Switch Current Limit	V _{VCC} = 2.8V to 5.3V V _{ACC_PWR} = 0V	0.50	0.59	0.76	A
V _{POK}	$\overline{\text{POK}}$ Current Sink Capability	$\overline{\text{POK}}$ asserted. 1mA sink current			0.4	V
I _{POK}	$\overline{\text{POK}}$ Leakage Current	$\overline{\text{POK}}$ de-asserted V _{$\overline{\text{POK}}$} = 3.3V			1	μA
T ₁	$\overline{\text{ACC_DET}}$ Response Time	$\overline{\text{ACC_DET}}$ rising to either PFET or $\overline{\text{POK}}$ FET turn-off		107		ns
T ₂	ENABLE Response Time	ENABLE rising to either PFET or $\overline{\text{POK}}$ FET turn-on		10		μs
T ₃	Minimum ENABLE Cycle Time ⁽¹⁾	$\overline{\text{ACC_DET}}$ tied to ground. ENABLE logic high = 1.8V. VCC = 2.8V to 5.3V.		300		ns

- (1) If ENABLE toggles low from a high state, it needs to stay low for at least T₃ long before toggling back to high. Otherwise the internal flip-flop may not be set and the PFET switch may not turn on.

Thermal Characteristics

Symbol	Description	Conditions	Typical Value	Unit
θ_{JA1}	Junction-to-Ambient Thermal Resistance	Mount device on a standard 4-layer 4" x 3" JEDEC board. Apply known amount of power to the package. Measure junction temperature and surrounding air temperature. No air flow. Refer to JESD51-7 for more information.	104	°C/W
θ_{JA2}	Junction-to-Ambient Thermal Resistance	Mount device on a 2-layer 2.19" x 2.9" board. Copper thickness is 1 oz per layer. No air flow. Power dissipation is 0.5W.	136	°C/W
T_{SD}	Thermal Shutdown Threshold	Raise T_J from below 120°C until \overline{POK} is de-asserted. No load is connected at ACC_PWR.	135	°C

Typical Performance Characteristics

Unless indicated otherwise, VCC = 3.0V and T_J = 25°C.

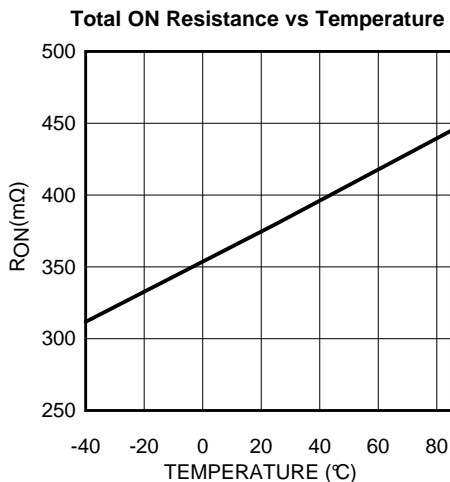


Figure 2.

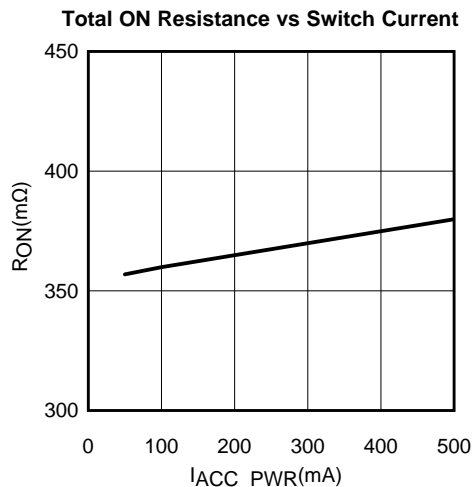


Figure 3.

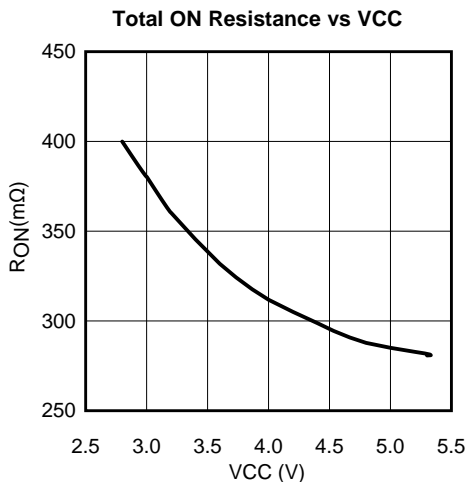


Figure 4.

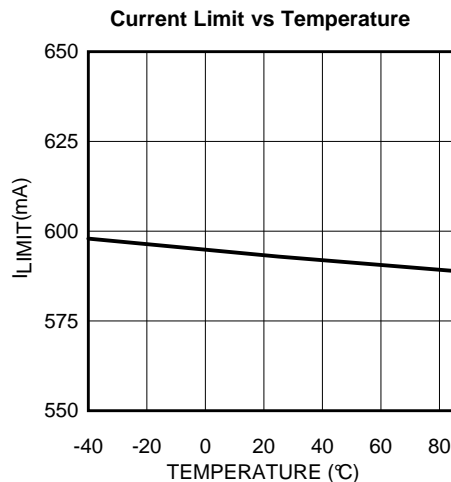


Figure 5.

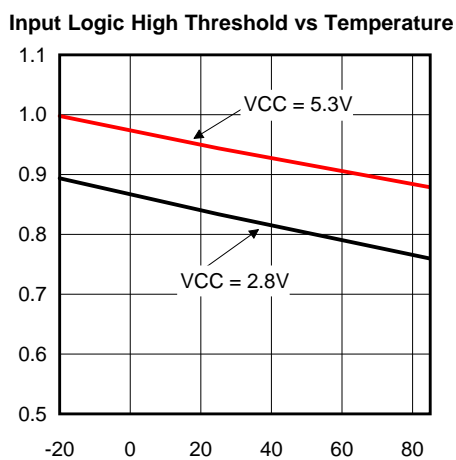


Figure 6.

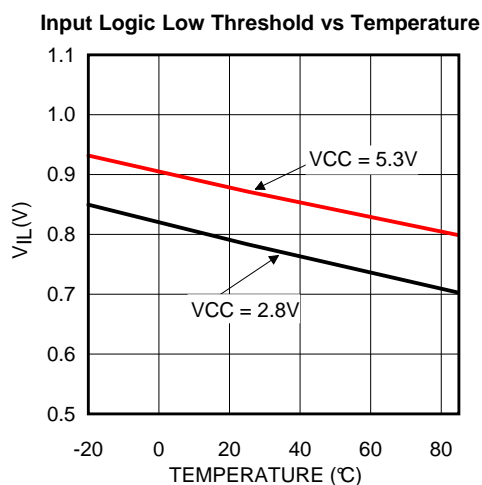
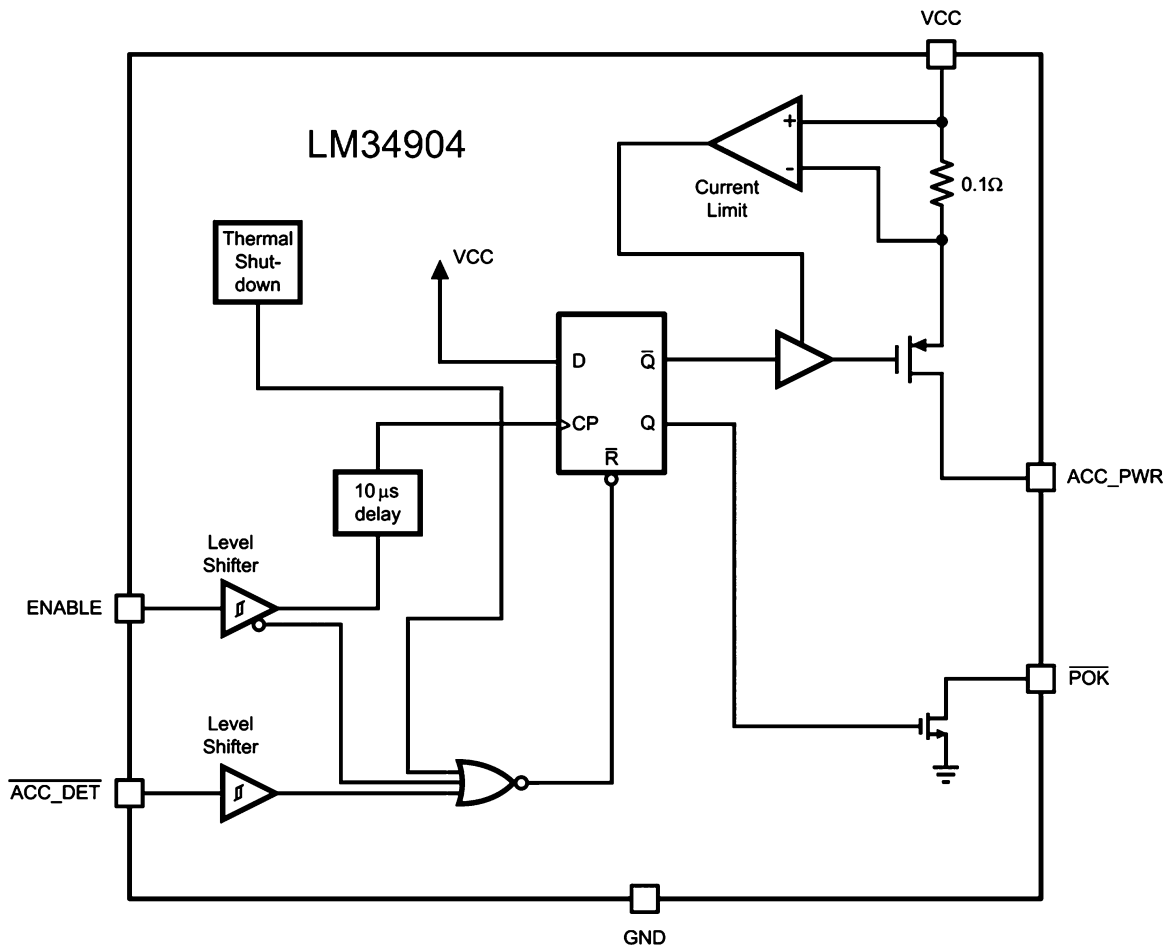


Figure 7.

BLOCK DIAGRAM**APPLICATION HINTS**

To turn on the PFET switch, both the ENABLE and the $\overline{\text{ACC_DET}}$ pins need to be asserted. In addition, $\overline{\text{ACC_DET}}$ needs to be asserted no later than the rising edge of the ENABLE signal. De-assertion of either the ENABLE or the $\overline{\text{ACC_DET}}$ will result in turned-off PFET switch and de-asserted POK signal.

To prevent a glitch in the otherwise asserted $\overline{\text{ACC_DET}}$ from keeping the FETs turned off, it is a good practice to cycle the ENABLE following every falling edge in the $\overline{\text{ACC_DET}}$ signal. When cycling the ENABLE, make sure it stays low for at least T_3 long before toggling back high. If ENABLE logic high level is not 1.8V, make sure ENABLE stays low for at least 1µs.

When laying out the PCB, try to keep the ENABLE and $\overline{\text{ACC_DET}}$ traces as short as possible and away from noisy traces.

REVISION HISTORY

Changes from Revision D (April 2013) to Revision E	Page
• Changed layout of National Data Sheet to TI format	6

PACKAGING INFORMATION

Orderable Device	Status (1)	Package Type	Package Drawing	Pins	Package Qty	Eco Plan (2)	Lead/Ball Finish (6)	MSL Peak Temp (3)	Op Temp (°C)	Device Marking (4/5)	Samples
LM34904ITM/NOPB	ACTIVE	DSBGA	YFQ	6	250	Green (RoHS & no Sb/Br)	SNAGCU	Level-1-260C-UNLIM	-40 to 85	L	Samples
LM34904ITMX/NOPB	ACTIVE	DSBGA	YFQ	6	3000	Green (RoHS & no Sb/Br)	SNAGCU	Level-1-260C-UNLIM	-40 to 85	L	Samples

(1) The marketing status values are defined as follows:

ACTIVE: Product device recommended for new designs.

LIFEBUY: TI has announced that the device will be discontinued, and a lifetime-buy period is in effect.

NRND: Not recommended for new designs. Device is in production to support existing customers, but TI does not recommend using this part in a new design.

PREVIEW: Device has been announced but is not in production. Samples may or may not be available.

OBsolete: TI has discontinued the production of the device.

(2) **RoHS:** TI defines "RoHS" to mean semiconductor products that are compliant with the current EU RoHS requirements for all 10 RoHS substances, including the requirement that RoHS substance do not exceed 0.1% by weight in homogeneous materials. Where designed to be soldered at high temperatures, "RoHS" products are suitable for use in specified lead-free processes. TI may reference these types of products as "Pb-Free".

RoHS Exempt: TI defines "RoHS Exempt" to mean products that contain lead but are compliant with EU RoHS pursuant to a specific EU RoHS exemption.

Green: TI defines "Green" to mean the content of Chlorine (Cl) and Bromine (Br) based flame retardants meet JS709B low halogen requirements of <=1000ppm threshold. Antimony trioxide based flame retardants must also meet the <=1000ppm threshold requirement.

(3) MSL, Peak Temp. - The Moisture Sensitivity Level rating according to the JEDEC industry standard classifications, and peak solder temperature.

(4) There may be additional marking, which relates to the logo, the lot trace code information, or the environmental category on the device.

(5) Multiple Device Markings will be inside parentheses. Only one Device Marking contained in parentheses and separated by a "-" will appear on a device. If a line is indented then it is a continuation of the previous line and the two combined represent the entire Device Marking for that device.

(6) Lead/Ball Finish - Orderable Devices may have multiple material finish options. Finish options are separated by a vertical ruled line. Lead/Ball Finish values may wrap to two lines if the finish value exceeds the maximum column width.

Important Information and Disclaimer:The information provided on this page represents TI's knowledge and belief as of the date that it is provided. TI bases its knowledge and belief on information provided by third parties, and makes no representation or warranty as to the accuracy of such information. Efforts are underway to better integrate information from third parties. TI has taken and continues to take reasonable steps to provide representative and accurate information but may not have conducted destructive testing or chemical analysis on incoming materials and chemicals. TI and TI suppliers consider certain information to be proprietary, and thus CAS numbers and other limited information may not be available for release.

In no event shall TI's liability arising out of such information exceed the total purchase price of the TI part(s) at issue in this document sold by TI to Customer on an annual basis.

TAPE AND REEL INFORMATION



QUADRANT ASSIGNMENTS FOR PIN 1 ORIENTATION IN TAPE



*All dimensions are nominal

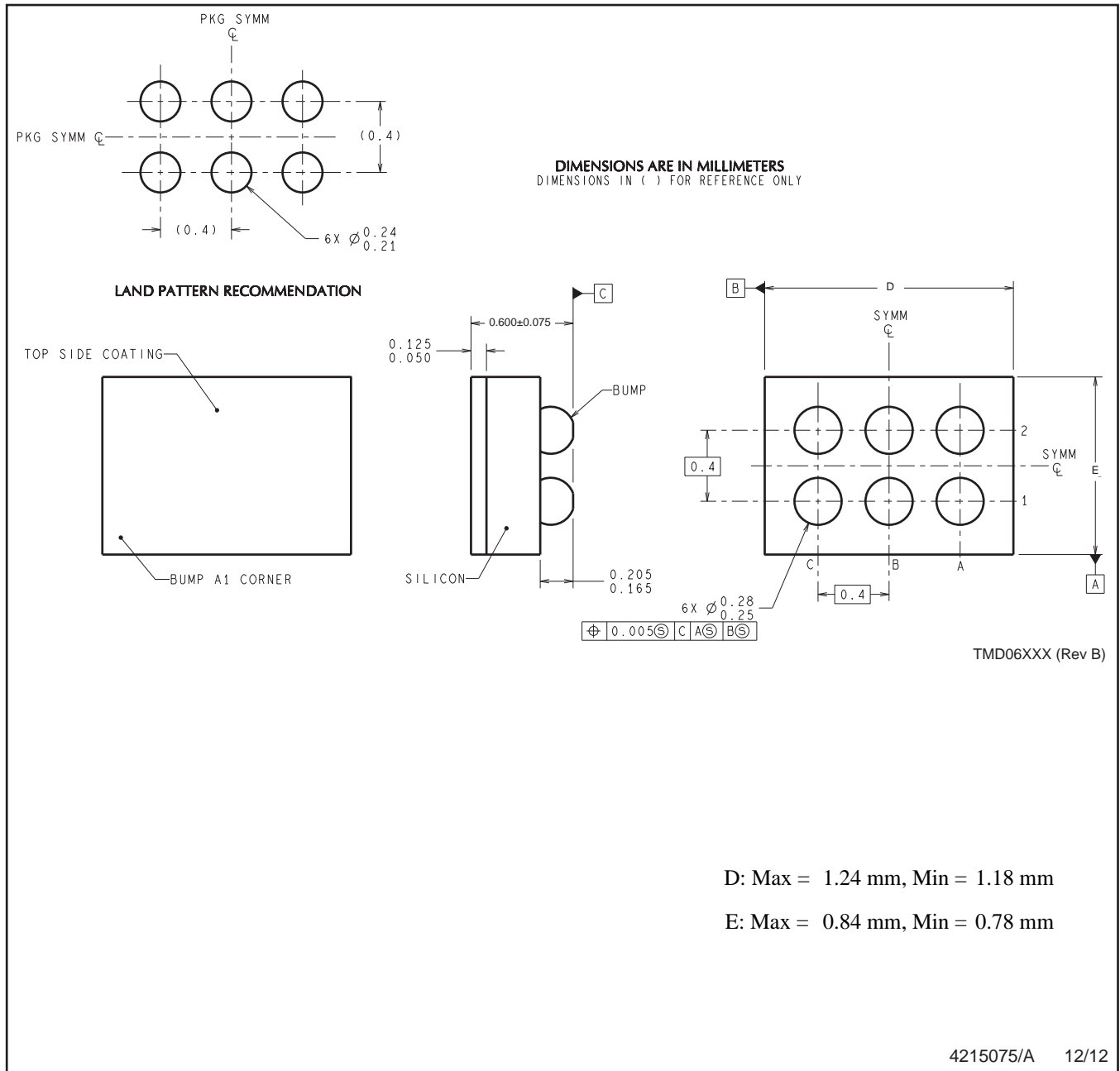
Device	Package Type	Package Drawing	Pins	SPQ	Reel Diameter (mm)	Reel Width W1 (mm)	A0 (mm)	B0 (mm)	K0 (mm)	P1 (mm)	W (mm)	Pin1 Quadrant
LM34904ITM/NOPB	DSBGA	YFQ	6	250	178.0	8.4	0.89	1.3	0.7	4.0	8.0	Q1
LM34904ITMX/NOPB	DSBGA	YFQ	6	3000	178.0	8.4	0.89	1.3	0.7	4.0	8.0	Q1

TAPE AND REEL BOX DIMENSIONS


*All dimensions are nominal

Device	Package Type	Package Drawing	Pins	SPQ	Length (mm)	Width (mm)	Height (mm)
LM34904ITM/NOPB	DSBGA	YFQ	6	250	210.0	185.0	35.0
LM34904ITMX/NOPB	DSBGA	YFQ	6	3000	210.0	185.0	35.0

YFQ0006



NOTES: A. All linear dimensions are in millimeters. Dimensioning and tolerancing per ASME Y14.5M-1994.
B. This drawing is subject to change without notice.

IMPORTANT NOTICE

Texas Instruments Incorporated (TI) reserves the right to make corrections, enhancements, improvements and other changes to its semiconductor products and services per JESD46, latest issue, and to discontinue any product or service per JESD48, latest issue. Buyers should obtain the latest relevant information before placing orders and should verify that such information is current and complete.

TI's published terms of sale for semiconductor products (<http://www.ti.com/sc/docs/stdterms.htm>) apply to the sale of packaged integrated circuit products that TI has qualified and released to market. Additional terms may apply to the use or sale of other types of TI products and services.

Reproduction of significant portions of TI information in TI data sheets is permissible only if reproduction is without alteration and is accompanied by all associated warranties, conditions, limitations, and notices. TI is not responsible or liable for such reproduced documentation. Information of third parties may be subject to additional restrictions. Resale of TI products or services with statements different from or beyond the parameters stated by TI for that product or service voids all express and any implied warranties for the associated TI product or service and is an unfair and deceptive business practice. TI is not responsible or liable for any such statements.

Buyers and others who are developing systems that incorporate TI products (collectively, "Designers") understand and agree that Designers remain responsible for using their independent analysis, evaluation and judgment in designing their applications and that Designers have full and exclusive responsibility to assure the safety of Designers' applications and compliance of their applications (and of all TI products used in or for Designers' applications) with all applicable regulations, laws and other applicable requirements. Designer represents that, with respect to their applications, Designer has all the necessary expertise to create and implement safeguards that (1) anticipate dangerous consequences of failures, (2) monitor failures and their consequences, and (3) lessen the likelihood of failures that might cause harm and take appropriate actions. Designer agrees that prior to using or distributing any applications that include TI products, Designer will thoroughly test such applications and the functionality of such TI products as used in such applications.

TI's provision of technical, application or other design advice, quality characterization, reliability data or other services or information, including, but not limited to, reference designs and materials relating to evaluation modules, (collectively, "TI Resources") are intended to assist designers who are developing applications that incorporate TI products; by downloading, accessing or using TI Resources in any way, Designer (individually or, if Designer is acting on behalf of a company, Designer's company) agrees to use any particular TI Resource solely for this purpose and subject to the terms of this Notice.

TI's provision of TI Resources does not expand or otherwise alter TI's applicable published warranties or warranty disclaimers for TI products, and no additional obligations or liabilities arise from TI providing such TI Resources. TI reserves the right to make corrections, enhancements, improvements and other changes to its TI Resources. TI has not conducted any testing other than that specifically described in the published documentation for a particular TI Resource.

Designer is authorized to use, copy and modify any individual TI Resource only in connection with the development of applications that include the TI product(s) identified in such TI Resource. NO OTHER LICENSE, EXPRESS OR IMPLIED, BY ESTOPPEL OR OTHERWISE TO ANY OTHER TI INTELLECTUAL PROPERTY RIGHT, AND NO LICENSE TO ANY TECHNOLOGY OR INTELLECTUAL PROPERTY RIGHT OF TI OR ANY THIRD PARTY IS GRANTED HEREIN, including but not limited to any patent right, copyright, mask work right, or other intellectual property right relating to any combination, machine, or process in which TI products or services are used. Information regarding or referencing third-party products or services does not constitute a license to use such products or services, or a warranty or endorsement thereof. Use of TI Resources may require a license from a third party under the patents or other intellectual property of the third party, or a license from TI under the patents or other intellectual property of TI.

TI RESOURCES ARE PROVIDED "AS IS" AND WITH ALL FAULTS. TI DISCLAIMS ALL OTHER WARRANTIES OR REPRESENTATIONS, EXPRESS OR IMPLIED, REGARDING RESOURCES OR USE THEREOF, INCLUDING BUT NOT LIMITED TO ACCURACY OR COMPLETENESS, TITLE, ANY EPIDEMIC FAILURE WARRANTY AND ANY IMPLIED WARRANTIES OF MERCHANTABILITY, FITNESS FOR A PARTICULAR PURPOSE, AND NON-INFRINGEMENT OF ANY THIRD PARTY INTELLECTUAL PROPERTY RIGHTS. TI SHALL NOT BE LIABLE FOR AND SHALL NOT DEFEND OR INDEMNIFY DESIGNER AGAINST ANY CLAIM, INCLUDING BUT NOT LIMITED TO ANY INFRINGEMENT CLAIM THAT RELATES TO OR IS BASED ON ANY COMBINATION OF PRODUCTS EVEN IF DESCRIBED IN TI RESOURCES OR OTHERWISE. IN NO EVENT SHALL TI BE LIABLE FOR ANY ACTUAL, DIRECT, SPECIAL, COLLATERAL, INDIRECT, PUNITIVE, INCIDENTAL, CONSEQUENTIAL OR EXEMPLARY DAMAGES IN CONNECTION WITH OR ARISING OUT OF TI RESOURCES OR USE THEREOF, AND REGARDLESS OF WHETHER TI HAS BEEN ADVISED OF THE POSSIBILITY OF SUCH DAMAGES.

Unless TI has explicitly designated an individual product as meeting the requirements of a particular industry standard (e.g., ISO/TS 16949 and ISO 26262), TI is not responsible for any failure to meet such industry standard requirements.

Where TI specifically promotes products as facilitating functional safety or as compliant with industry functional safety standards, such products are intended to help enable customers to design and create their own applications that meet applicable functional safety standards and requirements. Using products in an application does not by itself establish any safety features in the application. Designers must ensure compliance with safety-related requirements and standards applicable to their applications. Designer may not use any TI products in life-critical medical equipment unless authorized officers of the parties have executed a special contract specifically governing such use. Life-critical medical equipment is medical equipment where failure of such equipment would cause serious bodily injury or death (e.g., life support, pacemakers, defibrillators, heart pumps, neurostimulators, and implantables). Such equipment includes, without limitation, all medical devices identified by the U.S. Food and Drug Administration as Class III devices and equivalent classifications outside the U.S.

TI may expressly designate certain products as completing a particular qualification (e.g., Q100, Military Grade, or Enhanced Product). Designers agree that it has the necessary expertise to select the product with the appropriate qualification designation for their applications and that proper product selection is at Designers' own risk. Designers are solely responsible for compliance with all legal and regulatory requirements in connection with such selection.

Designer will fully indemnify TI and its representatives against any damages, costs, losses, and/or liabilities arising out of Designer's non-compliance with the terms and provisions of this Notice.