

LM3712/LM3713

Microprocessor Supervisory Circuits with Separate Watchdog Timer Output, Power Fail Input and Manual Reset

General Description

The LM3712/LM3713 series of microprocessor supervisory circuits provide the maximum flexibility for monitoring power supplies and battery controlled functions in systems without backup batteries. The LM3712/LM3713 series are available in a 9-bump micro SMD package.

Built-in features include the following:

Reset: Reset is asserted during power-up, power-down, and brownout conditions. $\overline{\text{RESET}}$ is guaranteed down to V_{CC} of 1.0V.

Manual Reset Input: An input that asserts reset when pulled low.

Power-Fail Input: A 1.225V threshold detector for power fail warning, or to monitor a power supply other than V_{CC} .

Watchdog Timer: The WDI (Watchdog Input) monitors one of the μP 's output lines for activity. If no output transition occurs during the watchdog timeout period, the watchdog output ($\overline{\text{WDO}}$) pulls low.

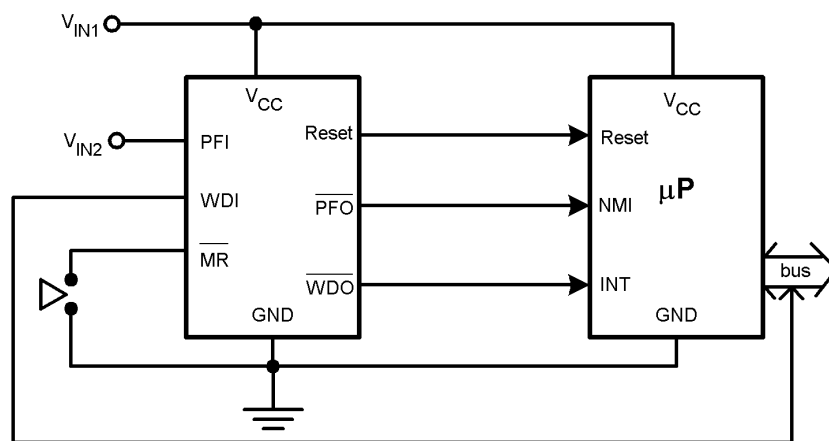
Features

- Standard Reset Threshold voltage: 3.08V
- Custom Reset Threshold voltages: For other voltages between 2.2V and 5.0V in 10mV increments, contact National Semiconductor Corp.
- No external components required
- Manual-Reset input
- $\overline{\text{RESET}}$ (LM3712) or RESET (LM3713) outputs
- Precision supply voltage monitor
- Factory programmable Reset and Watchdog Timeout Delays
- Separate Watchdog output
- Separate Power Fail comparator
- Available in micro SMD package for minimum footprint
- $\pm 0.5\%$ Reset threshold accuracy at room temperature
- $\pm 2\%$ Reset threshold accuracy over temperature extremes
- Reset assertion down to 1V V_{CC} ($\overline{\text{RESET}}$ option only)
- 28 μA V_{CC} supply current

Applications

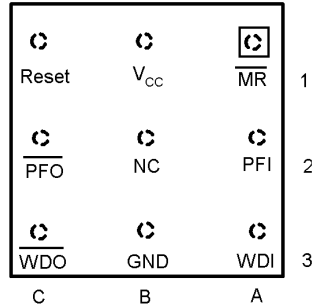
- Embedded Controllers and Processors
- Intelligent Instruments
- Automotive Systems
- Critical μP Power Monitoring

Typical Application



Connection Diagram

Top View
(looking from the coating side)
micro SMD 9 Bump Package
BPA09

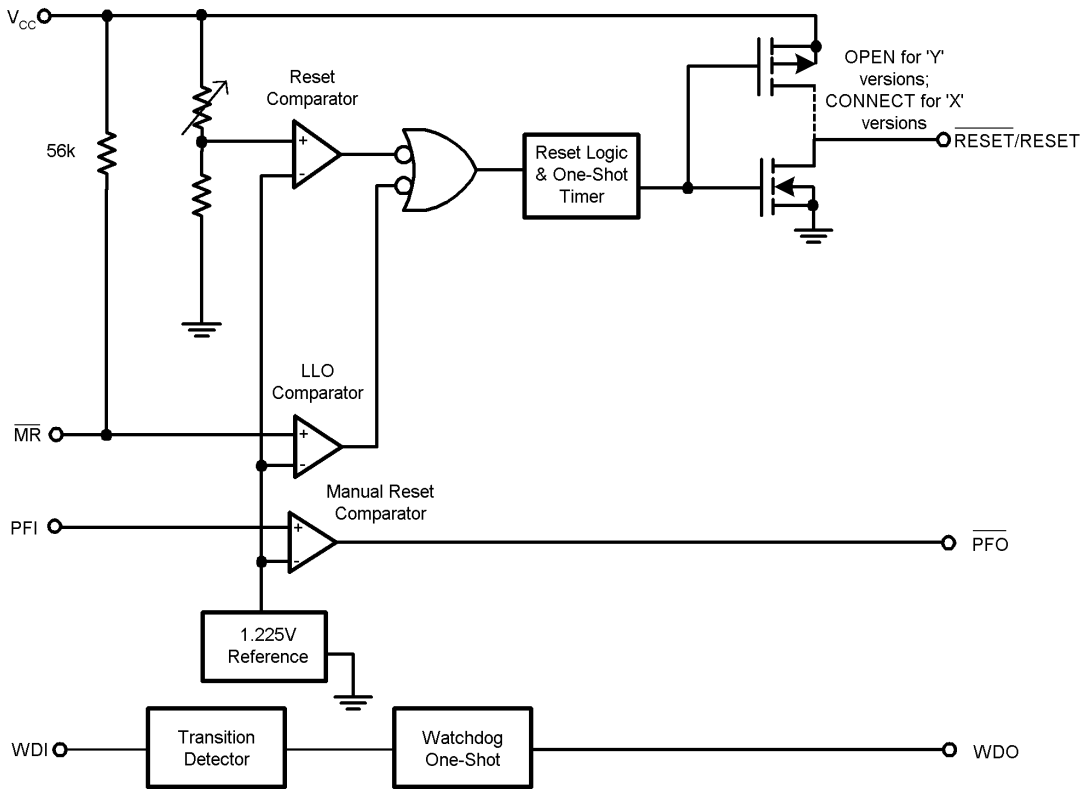


20011901

Pin Description

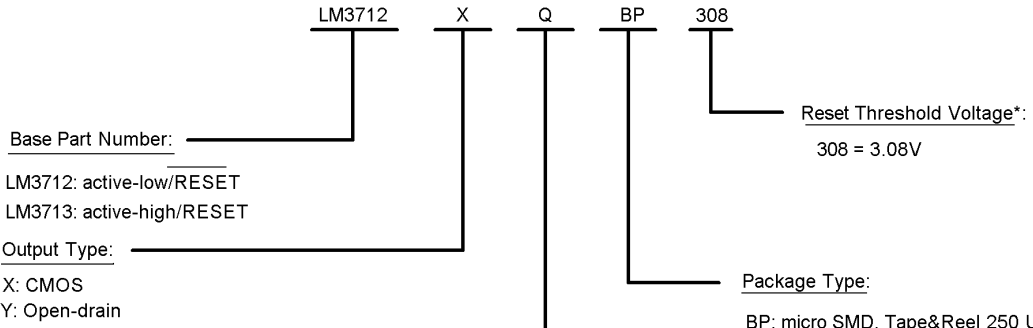
Bump No.	Name	Function
A1	$\overline{\text{MR}}$	Manual-Reset input. When $\overline{\text{MR}}$ is less than V_{MRT} (Manual Reset Threshold) $\overline{\text{RESET}}/\overline{\text{RESET}}$ is engaged.
B1	V_{CC}	Power Supply input.
C1	$\overline{\text{RESET}}$	Reset Logic Output. Pulses low for t_{RP} (Reset Timeout Period) when triggered, and stays low whenever V_{CC} is below the reset threshold or when $\overline{\text{MR}}$ is below V_{MRT} . It remains low for t_{RP} after either V_{CC} rises above the reset threshold, or after $\overline{\text{MR}}$ input rises above V_{MRT} (LM3712 only).
	RESET	Reset Logic Output. RESET is the inverse of $\overline{\text{RESET}}$ (LM3713 only).
C2	$\overline{\text{PFO}}$	Power-Fail Logic Output. When PFI is below V_{PFT} $\overline{\text{PFO}}$ goes low; otherwise, $\overline{\text{PFO}}$ remains high.
C3	$\overline{\text{WDO}}$	Watchdog Output. If no digital activity is detected on WDI (Watchdog Input) for a period exceeding t_{WD} , this output pulls low.
B3	GND	Ground reference for all signals.
A3	WDI	Watchdog Input Transition Monitor: If no transition activity occurs for a period exceeding t_{WD} (Watchdog Timeout Period), reset is engaged.
A2	PFI	Power-Fail Comparator Input. When PFI is less than V_{PFT} (Power-Fail Reset Threshold), the $\overline{\text{PFO}}$ goes low; otherwise, $\overline{\text{PFO}}$ remains high.
B2	NC	No Connect. Test input used at factory only. Leave floating.

Block Diagram



20011905

Ordering Information



WD Timeout Period (typ)	Reset Timeout Period (typ)			
	D1 1.4ms	D2 28ms	D3 200ms	D4 1600ms
W1 6.2ms	E*	F*	G*	H*
W2 102ms	J*	K*	L*	M*
W3 1600ms	N*	P*	Q	R*
W4 25600ms	S*	T*	U*	V*

* = available upon request. Contact National Semiconductor

20011904

*For other voltages between 2.2V and 5.0V, please contact National Semiconductor sales office.

LM3712/LM3713

Part Number	Output	Reset Timeout Period	Watchdog Timeout Period	Package Marking
LM3712XQBP-308	totem-pole	200ms	1600ms	%%IC
LM3712XQBPX-308	totem-pole	200ms	1600ms	%%IC
LM3713XQBP-308	totem-pole	200ms	1600ms	%%ID
LM3713XQBPX-308	totem-pole	200ms	1600ms	%%ID

%% is the datecode and will vary with time.

Table Of Functions

Part Number	Active Low Reset	Active High Reset	Output (X = totem-pole) (Y = open-drain)	Reset Timeout Period	Watchdog Timeout Period	Manual Reset	Power Fail Comparator
LM3712	x		X, Y*	Customized	Customized	x	x
LM3713		x	X	Customized	Customized	x	x

* = available upon request. Contact National

Absolute Maximum Ratings (Note 1)

If Military/Aerospace specified devices are required, please contact the National Semiconductor Sales Office/Distributors for availability and specifications.

Supply Voltage (V_{CC})	-0.3V to 6.0V
All Other Inputs	-0.3V to $V_{CC} + 0.3V$
ESD Ratings (Note 2)	
Human Body Model	1.5kV
Machine Model	150V

Power Dissipation

(Note 3)

Operating Ratings (Note 1)

Temperature Range

 $-40^{\circ}\text{C} \leq T_J \leq 85^{\circ}\text{C}$ **LM3712/LM3713 Series Electrical Characteristics**

Limits in the standard typeface are for $T_J = 25^{\circ}\text{C}$ and limits in **boldface type** apply over full operating range. Unless otherwise specified: $V_{CC} = +2.2V$ to $5.5V$.

Symbol	Parameter	Conditions	Min	Typ	Max	Units
POWER SUPPLY						
V_{CC}	Operating Voltage Range: V_{CC}	LM3712	1.0		5.5	V
		LM3713	1.2		5.5	
I_{CC}	V_{CC} Supply Current	All inputs = V_{CC} ; all outputs floating		28	50	μA
RESET THRESHOLD						
V_{RST}	Reset Threshold	V_{CC} falling	-0.5 -2	V_{RST}	+0.5 +2	%
		V_{CC} falling: $T_A = 0^{\circ}\text{C}$ to 70°C	-1.5		+1.5	
V_{RSTH}	Reset Threshold Hysteresis			$0.0032 \cdot V_{RST}$		mV
t_{RP}	Reset Timeout Period	Reset Timeout Period = E, J, N, S	1	1.4	2	ms
		Reset Timeout Period = F, K, P, T	20	28	40	
		Reset Timeout Period = G, L, Q, U	140	200	280	
		Reset Timeout Period = H, M, R, V	1120	1600	2240	
t_{RD}	V_{CC} to Reset Delay	V_{CC} falling at $1\text{mV}/\mu\text{s}$		20		μs
RESET (LM3713)						
V_{OL}	RESET	$V_{CC} > 2.25V$, $I_{SINK} = 900\mu\text{A}$			0.3	V
		$V_{CC} > 2.7V$, $I_{SINK} = 1.2\text{mA}$			0.3	
		$V_{CC} > 4.5V$, $I_{SINK} = 3.2\text{mA}$			0.4	
V_{OH}	RESET	$V_{CC} > 1.2V$, $I_{SOURCE} = 50\mu\text{A}$	0.8 V_{CC}			V
		$V_{CC} > 1.8V$, $I_{SOURCE} = 150\mu\text{A}$	0.8 V_{CC}			
		$V_{CC} > 2.25V$, $I_{SOURCE} = 300\mu\text{A}$	0.8 V_{CC}			
		$V_{CC} > 2.7V$, $I_{SOURCE} = 500\mu\text{A}$	0.8 V_{CC}			
		$V_{CC} > 4.5V$, $I_{SOURCE} = 800\mu\text{A}$	$V_{CC} - 1.5V$			
I_{LKG}	Output Leakage Current	$V_{RESET} = 5.5V$			1.0	μA
RESET (LM3712)						
V_{OL}	RESET	$V_{CC} > 1.0V$, $I_{SINK} = 50\mu\text{A}$			0.3	V
		$V_{CC} > 1.2V$, $I_{SINK} = 100\mu\text{A}$			0.3	
		$V_{CC} > 2.25V$, $I_{SINK} = 900\mu\text{A}$			0.3	
		$V_{CC} > 2.7V$, $I_{SINK} = 1.2\text{mA}$			0.3	
		$V_{CC} > 4.5V$, $I_{SINK} = 3.2\text{mA}$			0.4	
V_{OH}	RESET	$V_{CC} > 2.25V$, $I_{SOURCE} = 300\mu\text{A}$	0.8 V_{CC}			V
		$V_{CC} > 2.7V$, $I_{SOURCE} = 500\mu\text{A}$	0.8 V_{CC}			
		$V_{CC} > 4.5V$, $I_{SOURCE} = 800\mu\text{A}$	$V_{CC} - 1.5V$			

LM3712/LM3713 Series Electrical Characteristics (Continued)

Limits in the standard typeface are for $T_J = 25^\circ\text{C}$ and limits in **boldface type** apply over full operating range. Unless otherwise specified: $V_{CC} = +2.2\text{V}$ to 5.5V .

Symbol	Parameter	Conditions	Min	Typ	Max	Units
WDI						
WDI	Watchdog Input Current		-1		+1	μA
WDI _T	Watchdog Input Threshold		$0.2 \cdot V_{CC}$	1.225	$0.8 \cdot V_{CC}$	V
t _{WD}	Watchdog Timeout Period	Watchdog Timeout Period = E, F, G, H Watchdog Timeout Period = J, K, L, M Watchdog Timeout Period = N, P, Q, R Watchdog Timeout Period = S, T, U, V	4.3 71 1120 17900	6.2 102 1600 25600	9.3 153 2400 38400	ms
PFI/MR						
V _{PFT}	PFI Input Threshold		1.200	1.225	1.250	V
V _{MRT}	MR Input Threshold	MR, Low			0.8	V
		MR, High	2.0			
V _{PFTH} / V _{MRTH}	PFI/MR Threshold Hysteresis	PFI/MR falling: $V_{CC} = V_{RST\ MAX}$ to 5.5V		$0.0032 \cdot V_{RST}$		mV
I _{PFI}	Input Current (PFI only)		-75		75	nA
R _{MR}	MR Pull-up Resistance		35	56	75	k Ω
t _{MD}	MR to Reset Delay			12		μs
t _{MR}	MR Pulse Width		25			μs
PFO, WDO						
V _{OL}	PFO, WDO Output Voltage	$V_{CC} > 2.25\text{V}$, I _{SINK} = 900 μA			0.3	V
		$V_{CC} > 2.7\text{V}$, I _{SINK} = 1.2mA			0.3	
		$V_{CC} > 4.5\text{V}$, I _{SINK} = 3.2mA			0.4	
V _{OH}		$V_{CC} > 2.25\text{V}$, I _{SOURCE} = 300 μA	0.8 V_{CC}			V
		$V_{CC} > 2.7\text{V}$, I _{SOURCE} = 500 μA	0.8 V_{CC}			
		$V_{CC} > 4.5\text{V}$, I _{SOURCE} = 800 μA	V_{CC} - 1.5V			
LLO OUTPUT						
V _{LLOT}	LLO Output Threshold (V _{LLO} - V _{RST} , V _{CC} falling)		1.01 · V_{RST}	1.02 · V _{RST}	1.03 · V_{RST}	V
V _{LLOTH}	Low-Line Comparator Hysteresis			$0.0032 \cdot V_{RST}$		mV
t _{CD}	Low-Line Comparator Delay	V _{CC} falling at 1mV/ μs		20		μs

LM3712/LM3713 Series Electrical Characteristics (Continued)

Note 1: Absolute Maximum Ratings indicate limits beyond which damage to the device may occur. **Operating Ratings** indicate conditions for which the device is intended to be functional, but do not guarantee specific performance limits. For guaranteed specifications and test conditions, see the Electrical Characteristics. The guaranteed specifications apply only for the test conditions listed. Some performance characteristics may degrade when the device is not operated under the listed conditions.

Note 2: The Human Body model is a 100 pF capacitor discharged through a 1.5 kΩ resistor into each pin. The machine model is a 200pF capacitor discharged directly into each pin.

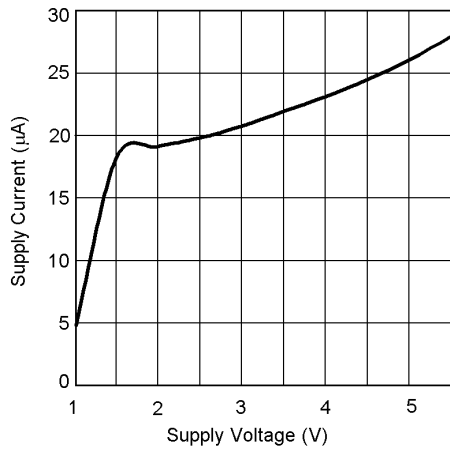
Note 3: The maximum allowable power dissipation is a function of the maximum junction temperature, $T_J(\text{MAX})$, the junction-to-ambient thermal resistance, θ_{J-A} , and the ambient temperature, T_A . The maximum allowable power dissipation at any ambient temperature is calculated using:

$$P(\text{MAX}) = \frac{T_J(\text{MAX}) - T_A}{\theta_{J-A}}$$

Where the value of θ_{J-A} for the micro SMD package is 220°C/W.

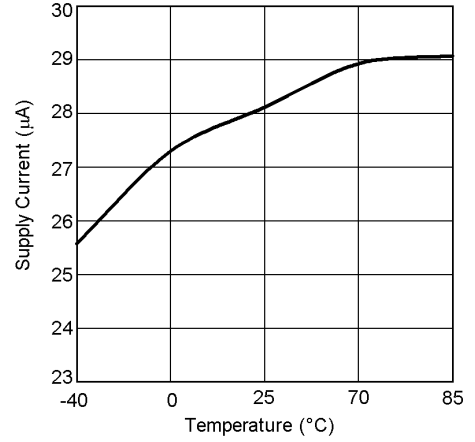
Typical Performance Characteristics

Supply Current vs Supply Voltage



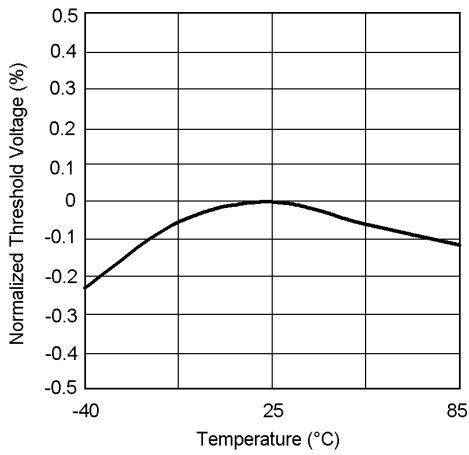
20011915

3.3V Supply Current vs Temperature



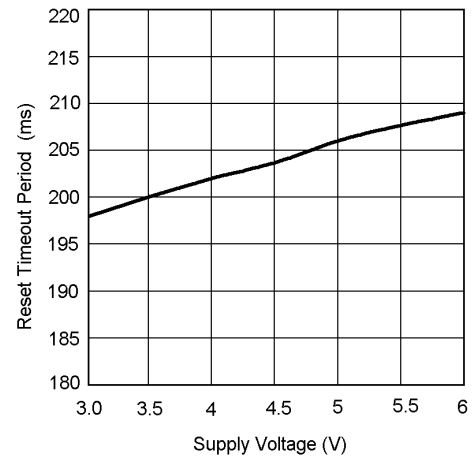
20011911

Normalized Reset Threshold Voltage vs Temperature



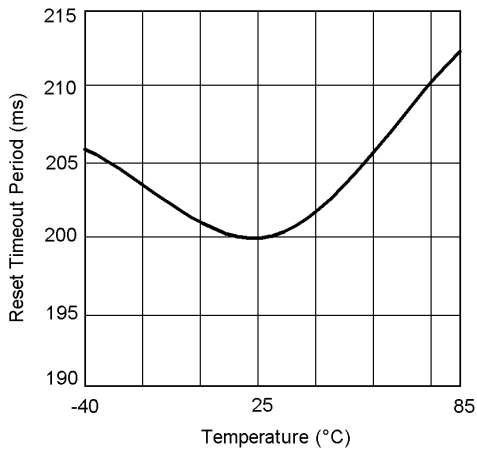
20011912

Reset Timeout Period vs V_{CC}



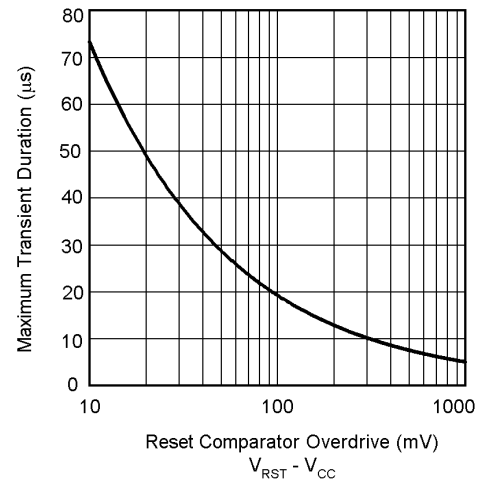
20011932

Reset Timeout Period vs Temperature



20011910

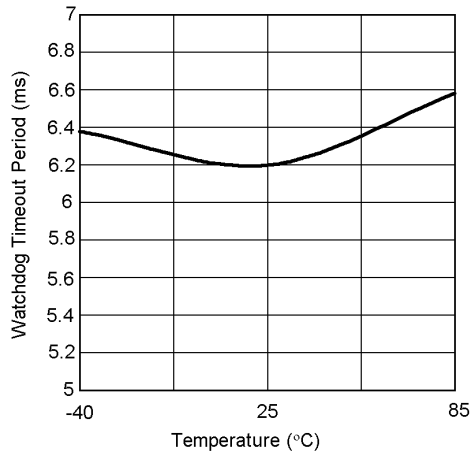
Max. Transient Duration vs Reset Comparator Overdrive (V_{CC} = 3.3V)



20011916

Typical Performance Characteristics (Continued)

Watchdog Timeout Period vs Temperature
(t_{WD} programmed as 6.2ms)



20011913

Circuit Information

Reset Output

The Reset input of a μP initializes the device into a known state. The LM3712/LM3713 microprocessor supervisory circuits assert a forced reset output to prevent code execution errors during power-up, power-down, and brownout conditions.

$\overline{\text{RESET}}$ is guaranteed valid for $V_{\text{CC}} > 1\text{V}$. Once V_{CC} exceeds the reset threshold, an internal timer maintains the output for the reset timeout period. After this interval, reset goes high. The LM3712 offers an active-low $\overline{\text{RESET}}$; The LM3713 offers an active-high RESET.

Any time V_{CC} drops below the reset threshold (such as during a brownout), the reset activates. When V_{CC} again rises above the reset threshold, the internal timer starts. Reset holds until V_{CC} exceeds the reset threshold for longer than the reset timeout period. After this time, reset releases.

The Manual Reset input ($\overline{\text{MR}}$) will initiate a forced reset also. See the *Manual Reset Input* section.

Reset Threshold

The LM3712/LM3713 family is available with a reset voltage of 3.08V. Other reset thresholds in the 2.20V to 5.0V range, in steps of 10 mV, are available; contact National Semiconductor for details.

Manual Reset Input ($\overline{\text{MR}}$)

Many μP -based products require a manual reset capability, allowing the operator to initiate a reset. The $\overline{\text{MR}}$ input is fully debounced and provides an internal 56 k Ω pull-up. When the $\overline{\text{MR}}$ input is pulled below V_{MRT} (1.225V) for more than 25 μs , reset is asserted after a typical delay of 12 μs . Reset remains active as long as $\overline{\text{MR}}$ is held low, and releases after the reset timeout period expires after $\overline{\text{MR}}$ rises above V_{MRT} . Use $\overline{\text{MR}}$ with digital logic to assert or to daisy chain supervisory circuits. It may be used as another low-line comparator by adding a buffer.

Power-Fail Comparator (PFI/ $\overline{\text{PFO}}$)

The PFI is compared to a 1.225V internal reference, V_{PFT} . If PFI is less than V_{PFT} , the Power Fail Output $\overline{\text{PFO}}$ drops low. The power-fail comparator signals a falling power supply, and is driven typically by an external voltage divider that senses either the unregulated supply or another system supply voltage. The voltage divider generally is chosen so

the voltage at PFI drops below V_{PFT} several milliseconds before the main supply voltage drops below the reset threshold, providing advanced warning of a brownout.

The voltage threshold is set by R_1 and R_2 and is calculated as follows:

$$V_{\text{PFT}} = \left(\frac{R_1 + R_2}{R_2} \right) \times 1.225\text{V}$$

Note this comparator is completely separate from the rest of the circuitry, and may be employed for other functions as needed.

Watchdog Timer Input (WDI)

The watchdog timer input monitors one of the microprocessor's output lines for activity. Each time a transition occurs on this monitored line, the watchdog counter is reset. However, if no transition occurs and the timeout period is reached, the LM3712/LM3713 assumes that the microprocessor has locked up and the watchdog output $\overline{\text{WDO}}$, is activated.

WDI is a high impedance input. $\overline{\text{WDO}}$ is an active-low totem pole output.

Special Precautions for the micro SMD Package

As with most integrated circuits, the LM3712 and LM3713 are sensitive to exposure from visible and infrared (IR) light radiation. Unlike a plastic encapsulated IC, the micro SMD package has very limited shielding from light, and some sensitivity to light reflected from the surface of the PC board or long wavelength IR entering the die from the side may be experienced. This light could have an unpredictable affect on the electrical performance of the IC. Care should be taken to shield the device from direct exposure to bright visible or IR light during operation.

Micro SMD Mounting

The micro SMD package requires specific mounting techniques which are detailed in National Semiconductor Application Note AN-1112. Referring to the section **Surface Mount Technology (SMT) Assembly Considerations**, it should be noted that the pad style which must be used with the 9-pin package is the NSMD (non-solder mask defined) type.

For best results during assembly, alignment ordinals on the PC board may be used to facilitate placement of the micro SMD device.

Timing Diagrams

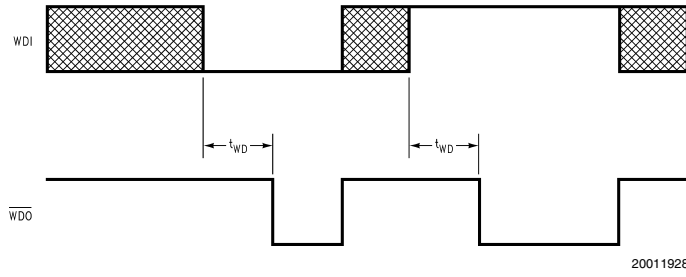


FIGURE 1. LM3712 Reset Time with \overline{MR}

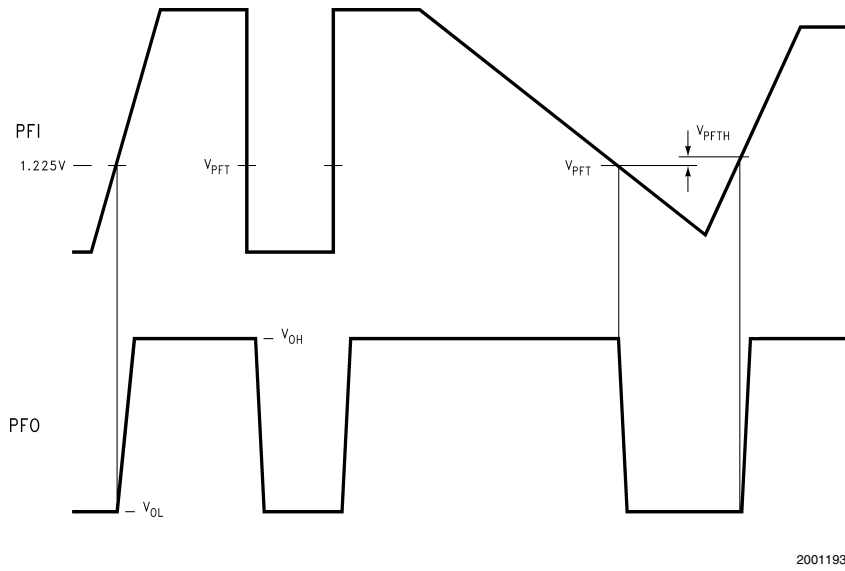
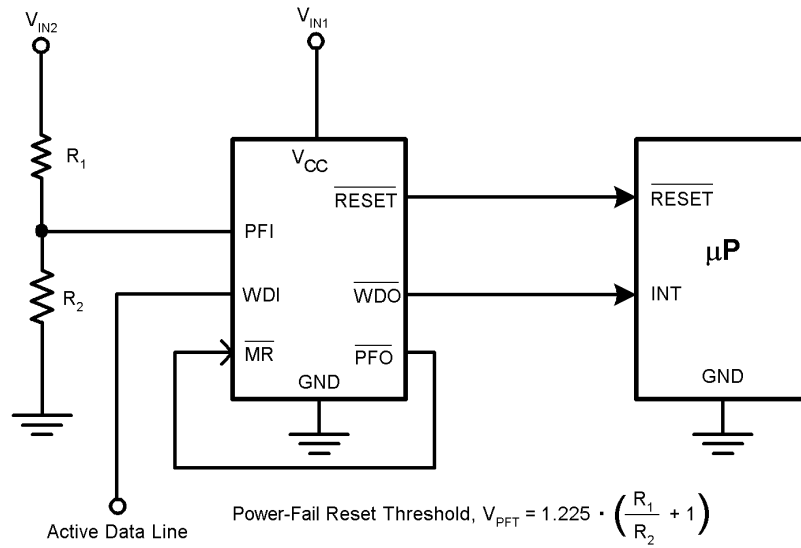


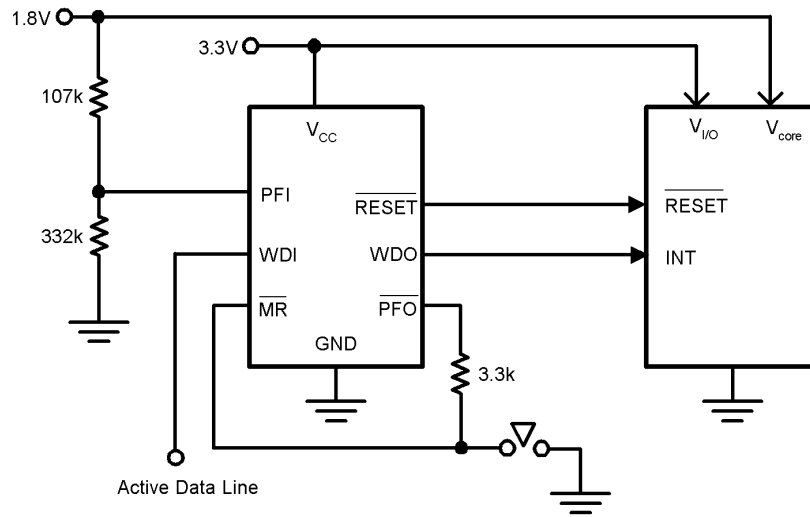
FIGURE 2. PFI Comparator Timing Diagram

Typical Application Circuits



20011918

FIGURE 3. Monitoring Two Critical Supplies Plus Dataline

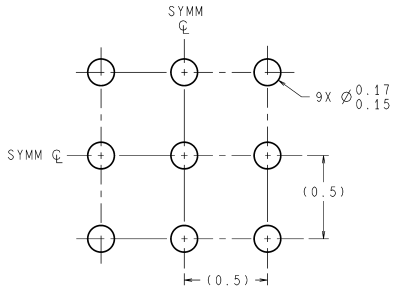


20011919

FIGURE 4. Monitoring Two Supplies plus Manual Reset And Dataline

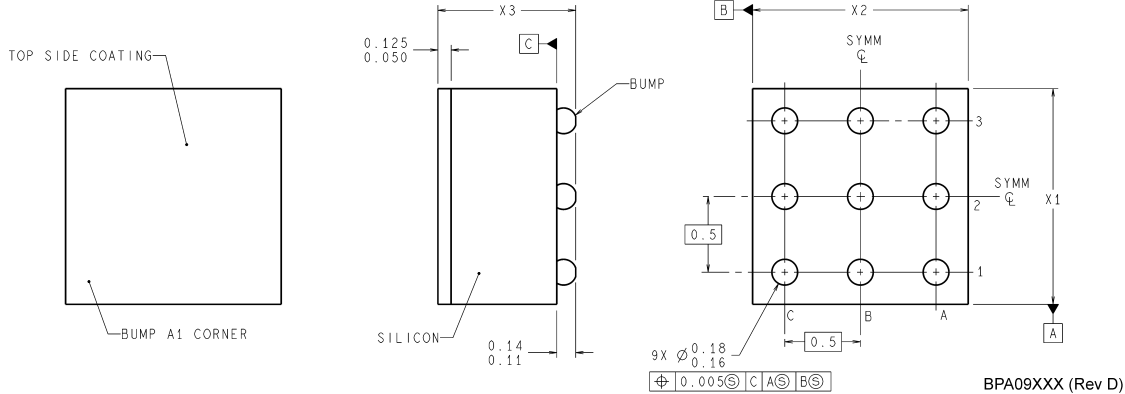
Physical Dimensions inches (millimeters)

unless otherwise noted



DIMENSIONS ARE IN MILLIMETERS

LAND PATTERN RECOMMENDATION



NOTES: UNLESS OTHERWISE SPECIFIED

1. EPOXY COATING
2. 63Sn/37Pb EUTECTIC BUMP
3. RECOMMEND NON-SOLDER MASK DEFINED LANDING PAD.
4. PIN 1 IS ESTABLISHED BY LOWER LEFT CORNER WITH RESPECT TO TEXT ORIENTATION. REMAINING PINS ARE NUMBERED COUNTER CLOCKWISE.
5. XXX IN DRAWING NUMBER REPRESENTS PACKAGE SIZE VARIATION WHERE X1 IS PACKAGE WIDTH, X2 IS PACKAGE LENGTH AND X3 IS PACKAGE HEIGHT.
6. NO JEDEC REGISTRATION AS OF AUG.1999.

9 bump micro SMD Package
NS Package Number BPA09FFB
The dimensions of X1, X2 and X3 are given below
X1 = 1.412mm
X2 = 1.412mm
X3 = 0.850mm

LIFE SUPPORT POLICY

NATIONAL'S PRODUCTS ARE NOT AUTHORIZED FOR USE AS CRITICAL COMPONENTS IN LIFE SUPPORT DEVICES OR SYSTEMS WITHOUT THE EXPRESS WRITTEN APPROVAL OF THE PRESIDENT AND GENERAL COUNSEL OF NATIONAL SEMICONDUCTOR CORPORATION. As used herein:

1. Life support devices or systems are devices or systems which, (a) are intended for surgical implant into the body, or (b) support or sustain life, and whose failure to perform when properly used in accordance with instructions for use provided in the labeling, can be reasonably expected to result in a significant injury to the user.
2. A critical component is any component of a life support device or system whose failure to perform can be reasonably expected to cause the failure of the life support device or system, or to affect its safety or effectiveness.



National Semiconductor Corporation
Americas
Email: support@nsc.com

National Semiconductor Europe
Fax: +49 (0) 180-530 85 86
Email: europe.support@nsc.com
Deutsch Tel: +49 (0) 69 9508 6208
English Tel: +44 (0) 870 24 0 2171
Français Tel: +33 (0) 1 41 91 8790

National Semiconductor Asia Pacific Customer Response Group
Tel: 65-2544466
Fax: 65-2504466
Email: ap.support@nsc.com

National Semiconductor Japan Ltd.
Tel: 81-3-5639-7560
Fax: 81-3-5639-7507

www.national.com